



US00D671544S

(12) **United States Design Patent**
Chun et al.

(10) **Patent No.:** **US D671,544 S**

(45) **Date of Patent:** **** Nov. 27, 2012**

(54) **CRADLE FOR TABLET COMPUTER**

(75) Inventors: **Bum-Ho Chun**, Seoul (KR); **Tai-Hyung Ju**, Seoul (KR); **Sang-Sung Woo**, Seoul (KR); **So-Yoon Jeon**, Kyunggi-Do (KR); **Ji-Hee Kwak**, Seoul (KR); **EunuaeShally Lee**, Seoul (KR); **Kil-Hyun Baek**, Seoul (KR)

(73) Assignee: **Samsung Electronics Co., Ltd.**, Suwon (KR)

(**) Term: **14 Years**

(21) Appl. No.: **29/407,981**

(22) Filed: **Dec. 6, 2011**

(30) **Foreign Application Priority Data**

Sep. 27, 2011 (KR) 30-2011-0040017

(51) **LOC (9) Cl.** **08-07**

(52) **U.S. Cl.** **D14/447**

(58) **Field of Classification Search** D14/447,
D14/432, 433, 434, 439, 440, 448, 451, 452,
D14/217, 239, 250, 251, 253, 238.1, 126,
D14/130, 203.3, 203.7, 203.8; D13/107,
D13/108; D21/333; D6/300, 310, 311, 312,
D6/406.1, 406.2, 406.3, 406.4, 406.5, 406.6,
D6/419; D8/363, 373, 380

See application file for complete search history.

(56) **References Cited**

U.S. PATENT DOCUMENTS

D284,084 S 6/1986 Ferrara, Jr.
D306,583 S 3/1990 Krolopp et al.
D333,574 S 3/1993 Ackeret
D337,569 S 7/1993 Kando
D488,450 S * 4/2004 Ohba et al. D14/126
D500,991 S 1/2005 Niitsu
D504,889 S 5/2005 Andre et al.
D532,791 S 11/2006 Kim
D563,804 S 3/2008 Kimura et al.

D572,025 S * 7/2008 Kwon D6/308
D579,930 S 11/2008 Maskatia
D583,572 S * 12/2008 Zhai et al. D6/308
D584,738 S 1/2009 Kim et al.
D590,374 S 4/2009 Madonna et al.
D592,214 S 5/2009 Bradford
D596,173 S * 7/2009 Arfin D14/307
D602,014 S 10/2009 Andre et al.
D602,487 S 10/2009 Maskatia
D605,626 S 12/2009 Park
D610,582 S 2/2010 Sugitani et al.
D611,364 S 3/2010 Lenz et al.
D613,510 S 4/2010 Tzeng et al.

(Continued)

FOREIGN PATENT DOCUMENTS

KR 3005985190000 5/2011

(Continued)

OTHER PUBLICATIONS

U.S. Appl. No. 29/390,463, Applicant: Kim, et al., filed Apr. 25, 2011 entitled Tablet Computer.

(Continued)

Primary Examiner — Angela J Lee

(74) *Attorney, Agent, or Firm* — Wood, Herron & Evans, LLP

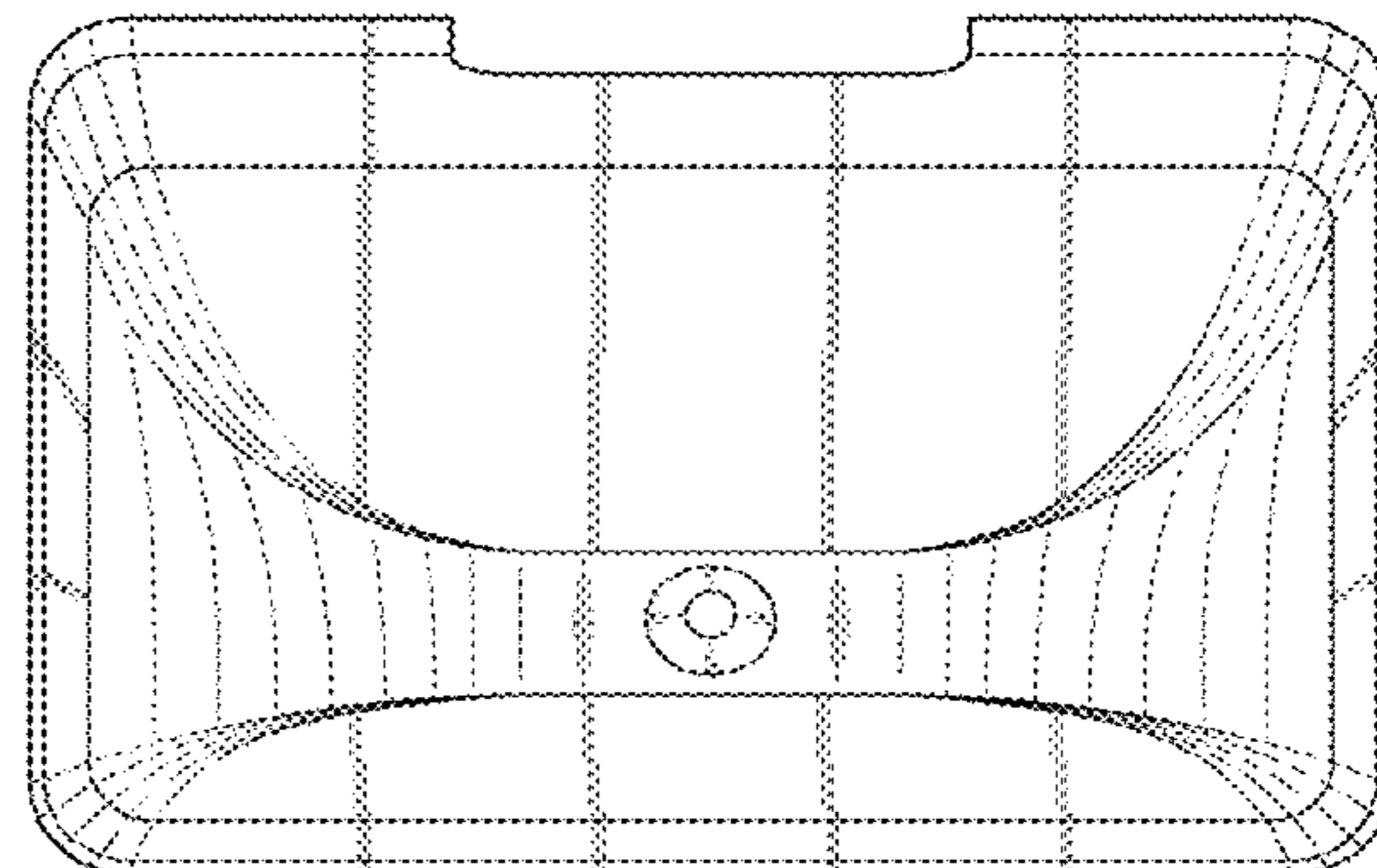
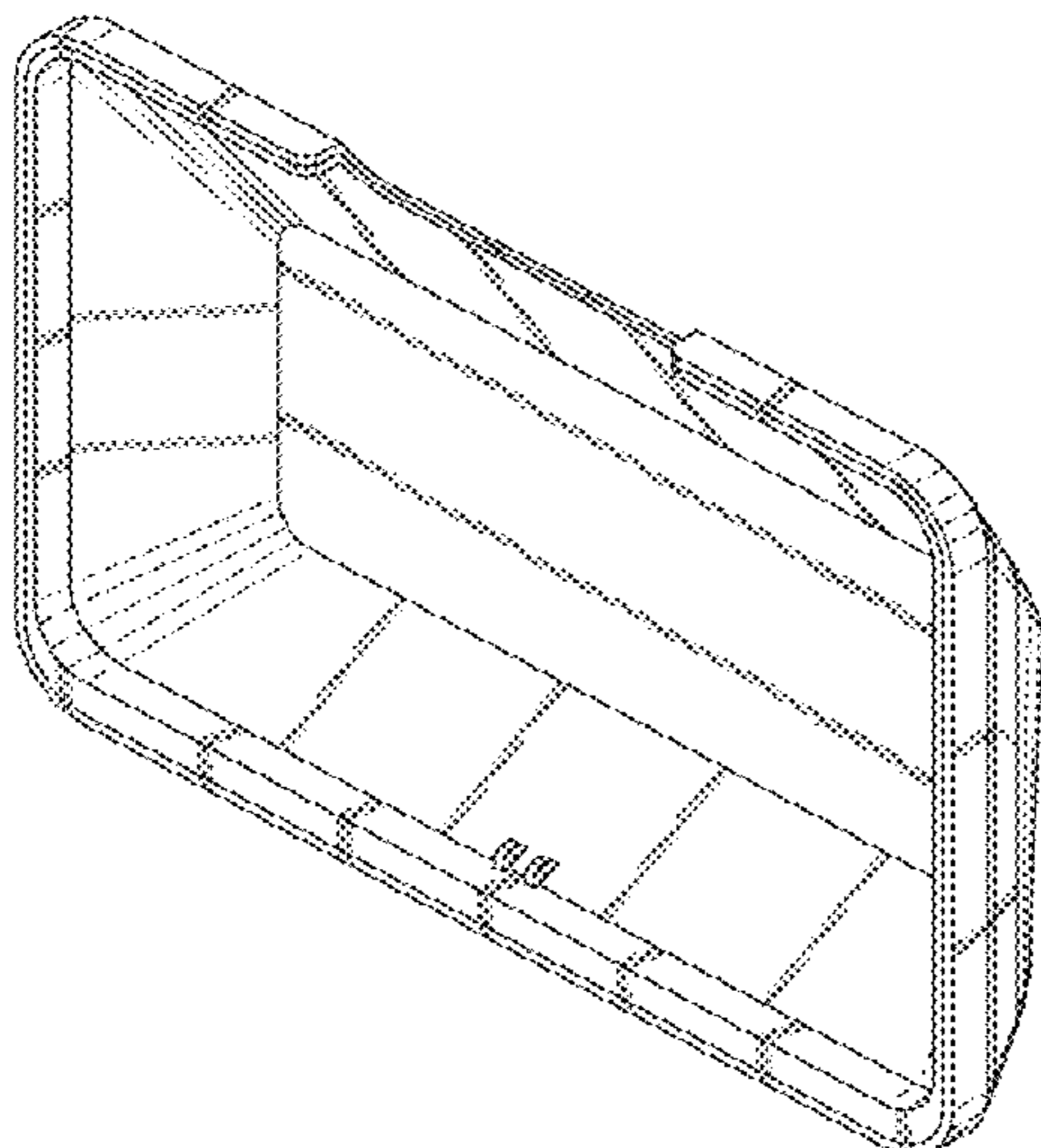
(57) **CLAIM**

The ornamental design for cradle for tablet computer, as shown and described.

DESCRIPTION

FIG. 1 is a top front perspective view of cradle for tablet computer showing our new design; FIG. 2 is a front elevational view thereof; FIG. 3 is a rear elevational view thereof; FIG. 4 is a left side elevational view thereof; FIG. 5 is a right side elevational view thereof; FIG. 6 is a top plan view thereof; and, FIG. 7 is a bottom plan view thereof.

1 Claim, 4 Drawing Sheets



US D671,544 S

Page 2

U.S. PATENT DOCUMENTS

D613,951 S 4/2010 Tang et al.
D617,793 S 6/2010 Chiang et al.
D622,270 S 8/2010 Andre et al.
D623,638 S * 9/2010 Richardson et al. D14/250
D627,667 S 11/2010 Lenz et al.
D628,913 S 12/2010 Cheng
D629,799 S 12/2010 Andre et al.
D640,255 S 6/2011 Lee et al.
D643,433 S * 8/2011 Hsieh et al. D14/440
D648,295 S * 11/2011 Jung et al. D14/126
D651,606 S * 1/2012 Luijben D14/447
D656,940 S * 4/2012 McClelland et al. D14/447
D660,305 S * 5/2012 Ho et al. D14/447
D660,840 S * 5/2012 Chen D14/434
2009/0231292 A1 9/2009 Hsieh et al.
2010/0072334 A1* 3/2010 Le Gette et al. 248/176.3
2011/0017898 A1* 1/2011 Wu et al. 248/469

FOREIGN PATENT DOCUMENTS

KR 3005994750000 5/2011
KR 3006004150000 6/2011
KR 3006004300000 6/2011
KR 3006046440000 7/2011

OTHER PUBLICATIONS

U.S. Appl. No. 29/390,464, Applicant: Kim, et al., filed Apr. 25, 2011, entitled Tablet Computer.
U.S. Appl. No. 29/390,462, Applicant Kim et al, filed Apr. 25, 2011, entitled Tablet Computer.
U.S. Appl. No. 29/405,537, Applicant Kim et al, filed Nov. 3, 2011, entitled Tablet Computer.
U.S. Appl. No. 29/407,975, Applicant Chun et al, filed Dec. 6, 2011, entitled Tablet Computer.
U.S. Appl. No. 29/407,989, Applicant Lee et al, filed Dec. 6, 2011, entitled Cradle for Tablet Computer.
U.S. Appl. No. 29/407,996, Applicant Jeon et al, filed Dec. 6, 2011, entitled Charger for Tablet Computer.
U.S. Appl. No. 29/408,009, Applicant Song et al, filed Dec. 6, 2011, entitled Tablet Computer.
U.S. Appl. No. 29/408,017, Applicant Song et al, filed Dec. 6, 2011, entitled Tablet Computer.
U.S. Appl. No. 29/407,982, Applicant Lee et al, filed Dec. 6, 2011, entitled Tablet Computer.
U.S. Appl. No. 29/407,984, Applicant Jeon et al, filed Dec. 6, 2011, entitled Tablet Computer.

* cited by examiner

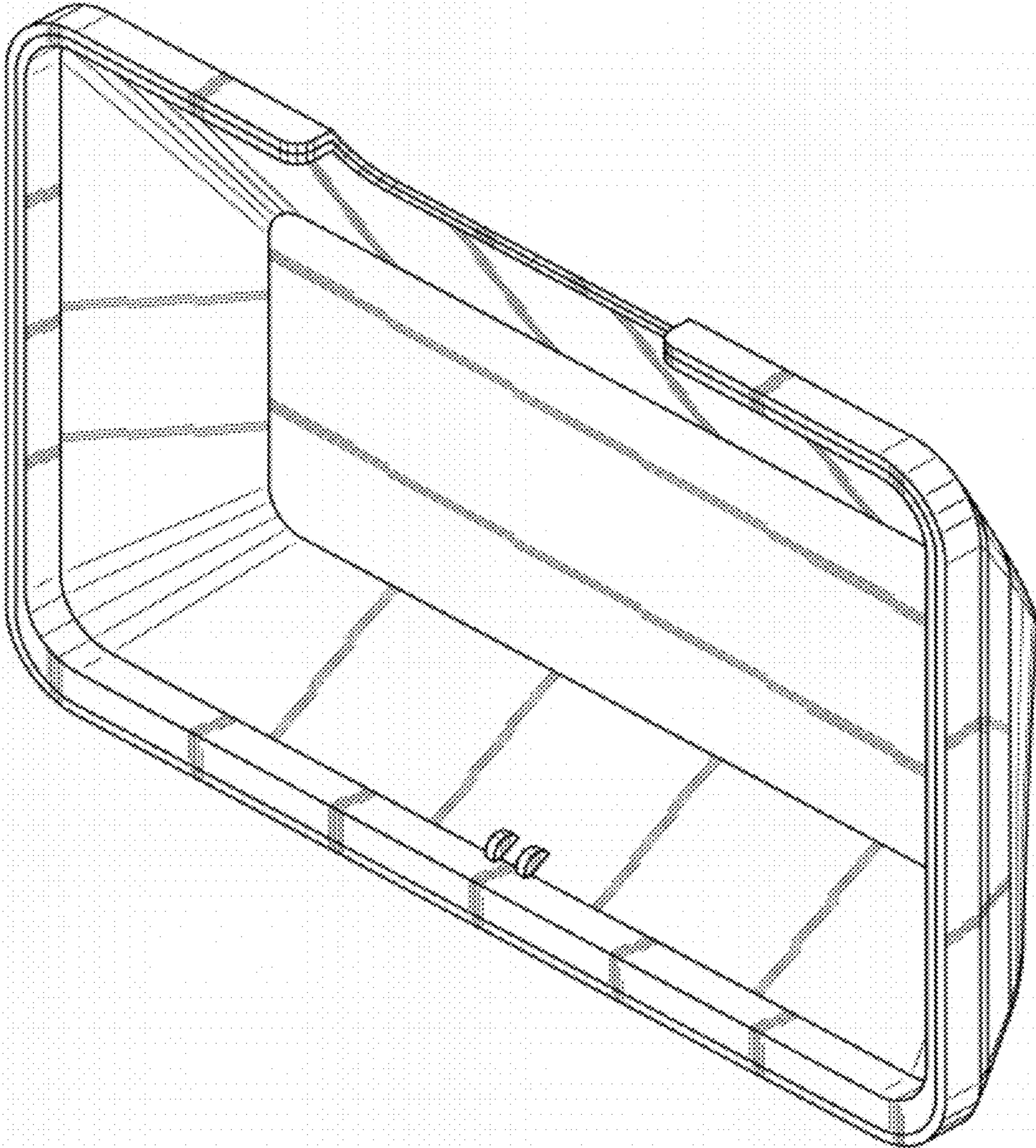


FIG. 1

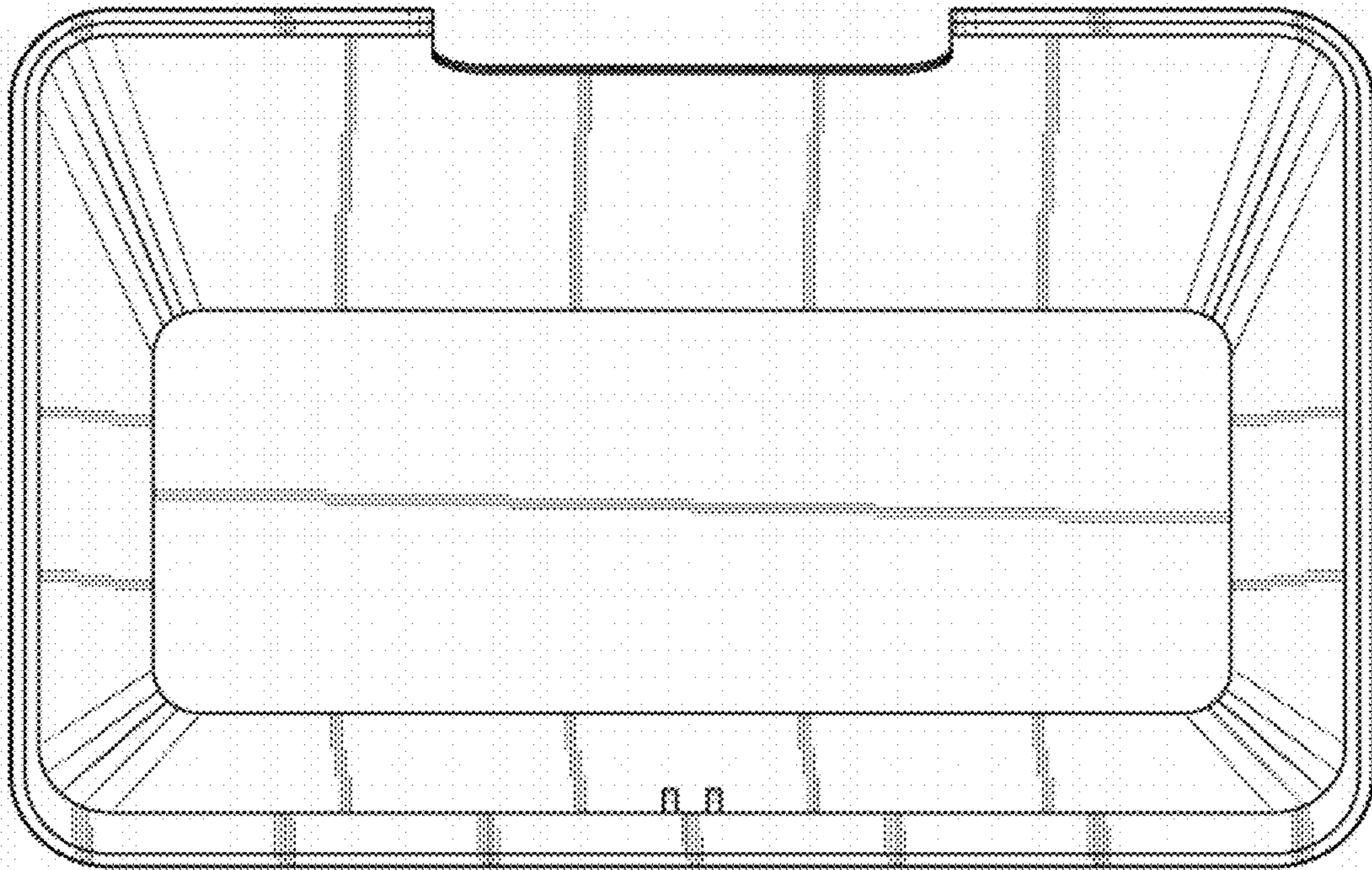


FIG. 2

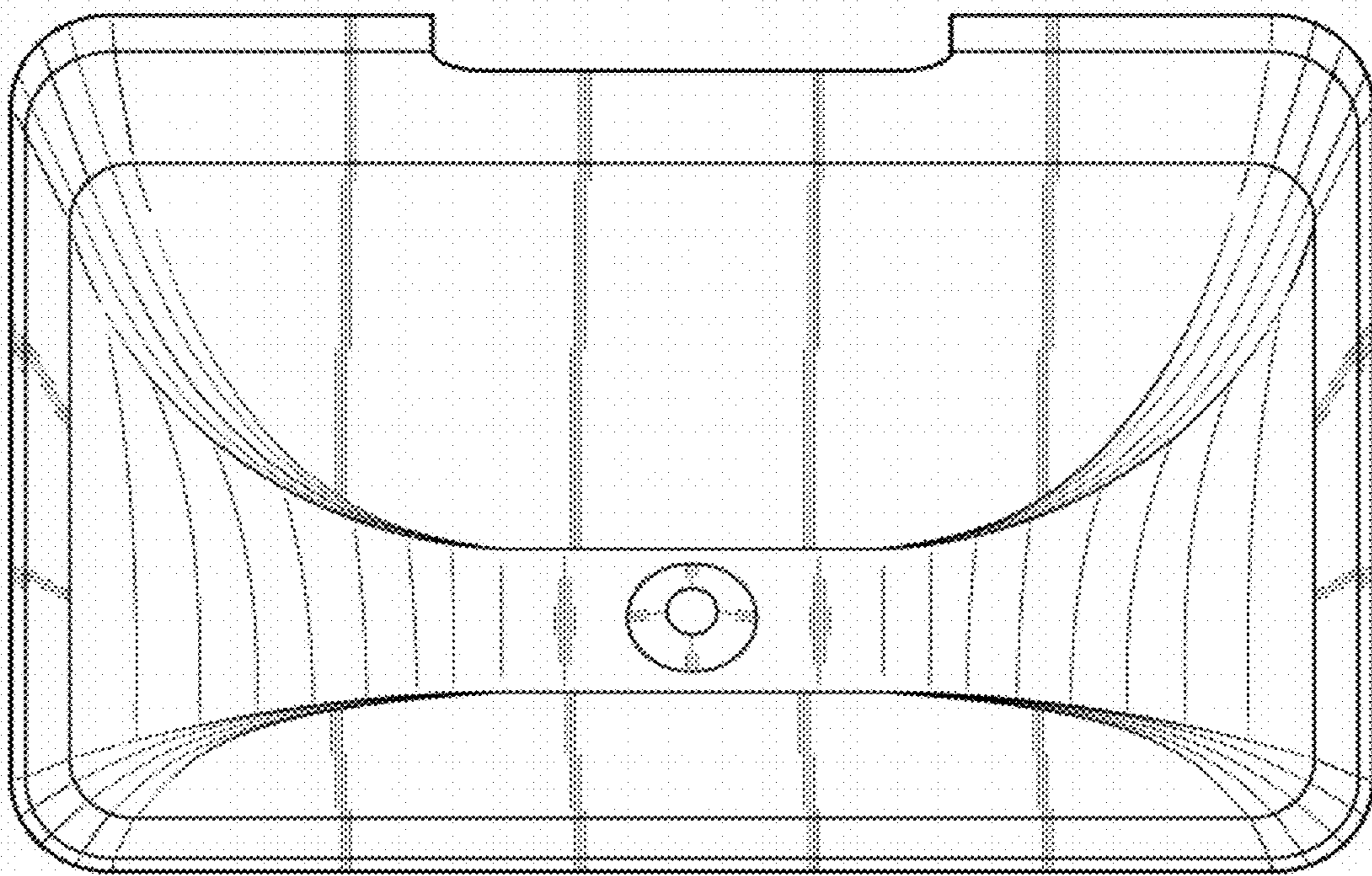


FIG. 3

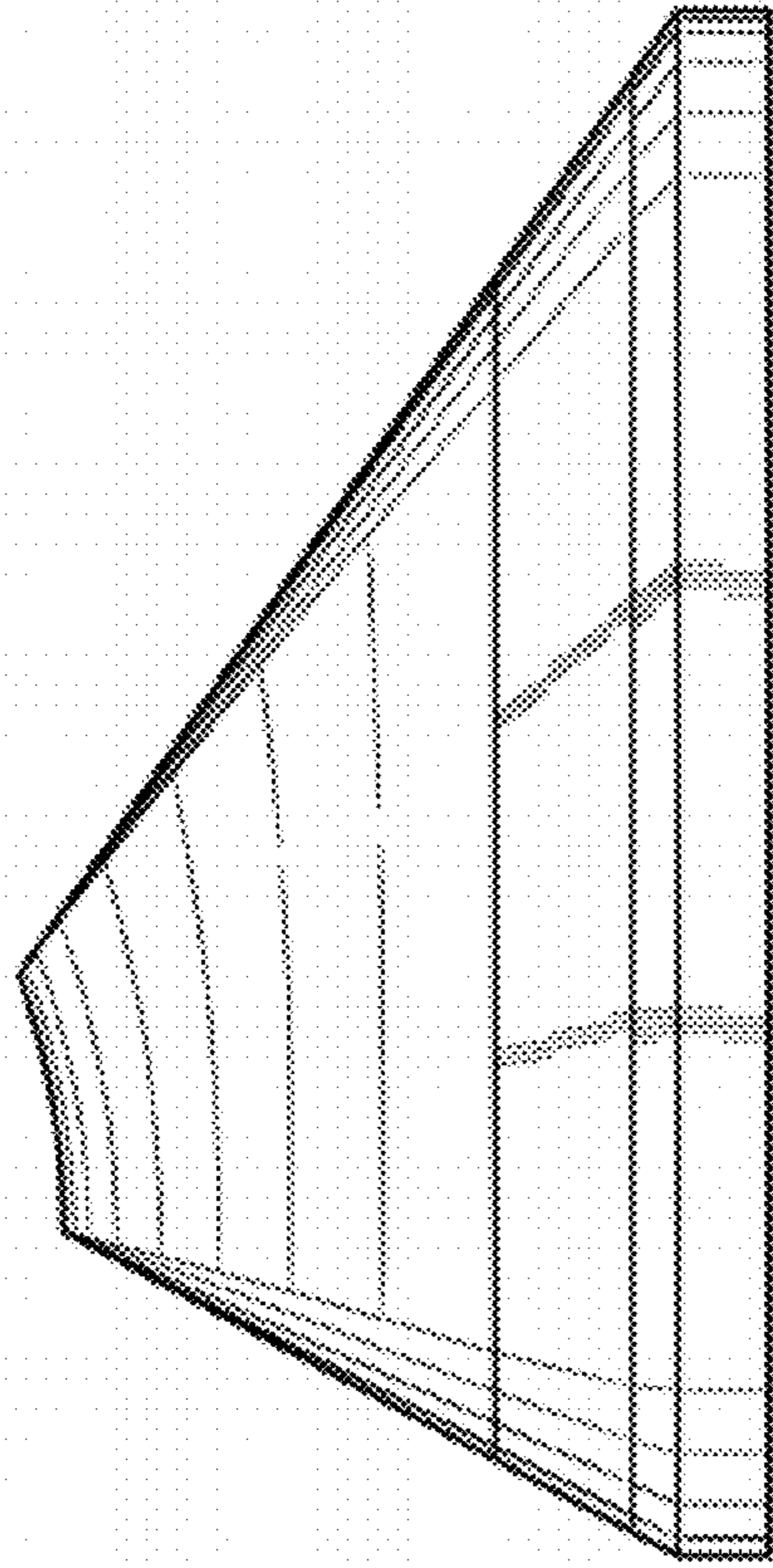


FIG. 4

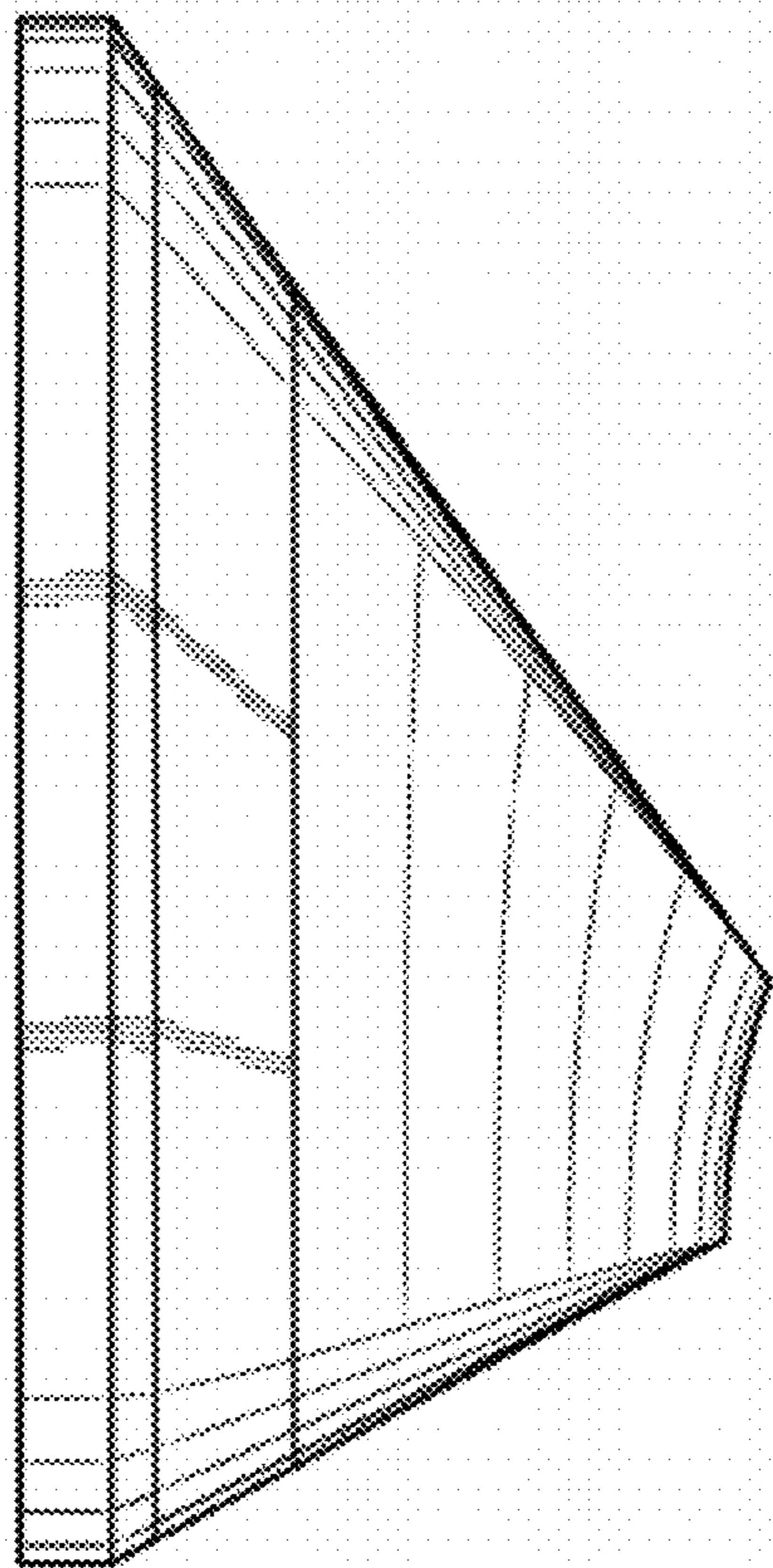


FIG. 5

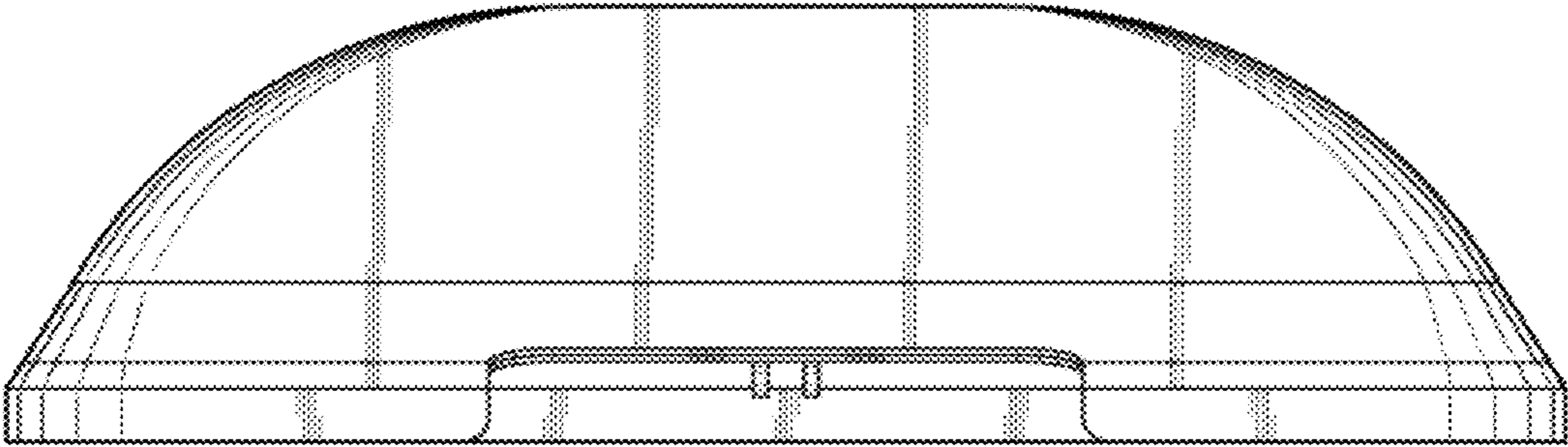


FIG. 6

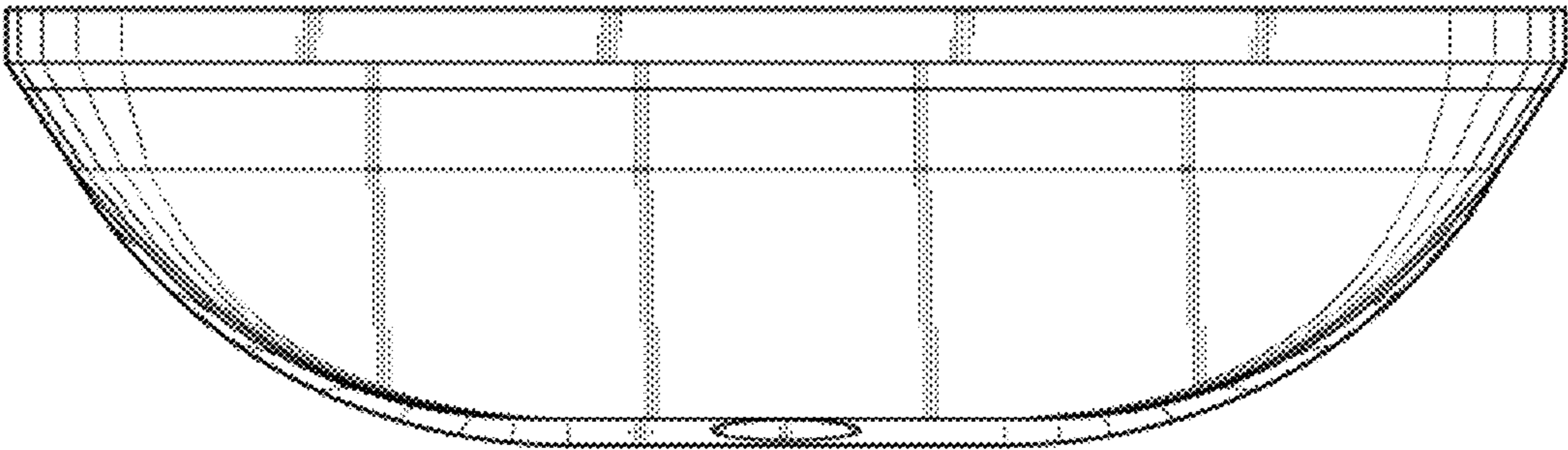


FIG. 7