



US00D671543S

(12) **United States Design Patent**  
**Sogabe**

(10) **Patent No.:** **US D671,543 S**  
(45) **Date of Patent:** **\*\* Nov. 27, 2012**

(54) **CRADLE FOR PORTABLE ELECTRONIC DEVICE**

(75) Inventor: **Takashi Sogabe**, Tokyo (JP)

(73) Assignee: **Sony Computer Entertainment Inc.**,  
Tokyo (JP)

(\*\*) Term: **14 Years**

(21) Appl. No.: **29/371,844**

(22) Filed: **Oct. 21, 2011**

(30) **Foreign Application Priority Data**

Jun. 3, 2011 (JP) ..... D2011-012657

(51) **LOC (9) Cl.** ..... **08-07**

(52) **U.S. Cl.** ..... **D14/447**

(58) **Field of Classification Search** ..... D14/447,  
D14/432, 433, 434, 439, 440, 448, 451, 452,  
D14/217, 239, 250, 251, 253, 238.1; D13/107,  
D13/108; D21/333; D6/300, 310, 311, 312,  
D6/406.1, 406.2, 406.3, 406.4, 406.5, 406.6,  
D6/419; D8/363, 373, 380  
See application file for complete search history.

(56) **References Cited**

**U.S. PATENT DOCUMENTS**

D442,141 S 5/2001 Ikenaga  
D474,736 S \* 5/2003 Sagawa ..... D13/108  
D475,011 S 5/2003 Kataoka

D526,958 S 8/2006 Shimizu  
D540,802 S \* 4/2007 Hussaini et al. .... D14/434  
D552,611 S \* 10/2007 Hagiwara et al. .... D14/434  
D568,809 S \* 5/2008 Izumo et al. .... D13/108  
D595,722 S \* 7/2009 Miyawaki ..... D14/447  
D607,879 S \* 1/2010 Ferber et al. .... D14/217  
D628,562 S \* 12/2010 Akana et al. .... D14/217  
D637,194 S \* 5/2011 Kuroda et al. .... D14/447  
D642,519 S \* 8/2011 Woo et al. .... D13/108  
D647,520 S \* 10/2011 Wikel ..... D14/253  
D648,339 S \* 11/2011 O'Neil et al. .... D14/434  
D654,921 S \* 2/2012 Malsan ..... D14/447  
D657,741 S \* 4/2012 Fahrendorff et al. .... D13/108

\* cited by examiner

*Primary Examiner* — Angela J Lee

(74) *Attorney, Agent, or Firm* — Rader, Fishman & Grauer  
PLLC

(57) **CLAIM**

The ornamental design for a cradle for portable electronic device, as shown and described.

**DESCRIPTION**

FIG. 1 is a front, top, left perspective view of a cradle for a portable electronic device showing my new design;  
FIG. 2 is a rear, top, left perspective view thereof;  
FIG. 3 is a front elevational view thereof;  
FIG. 4 is a rear elevational view thereof;  
FIG. 5 is a left side elevational view thereof, a right side elevational view thereof being a mirror image;  
FIG. 6 is a top plan view thereof; and,  
FIG. 7 is a bottom plan view thereof.

**1 Claim, 6 Drawing Sheets**

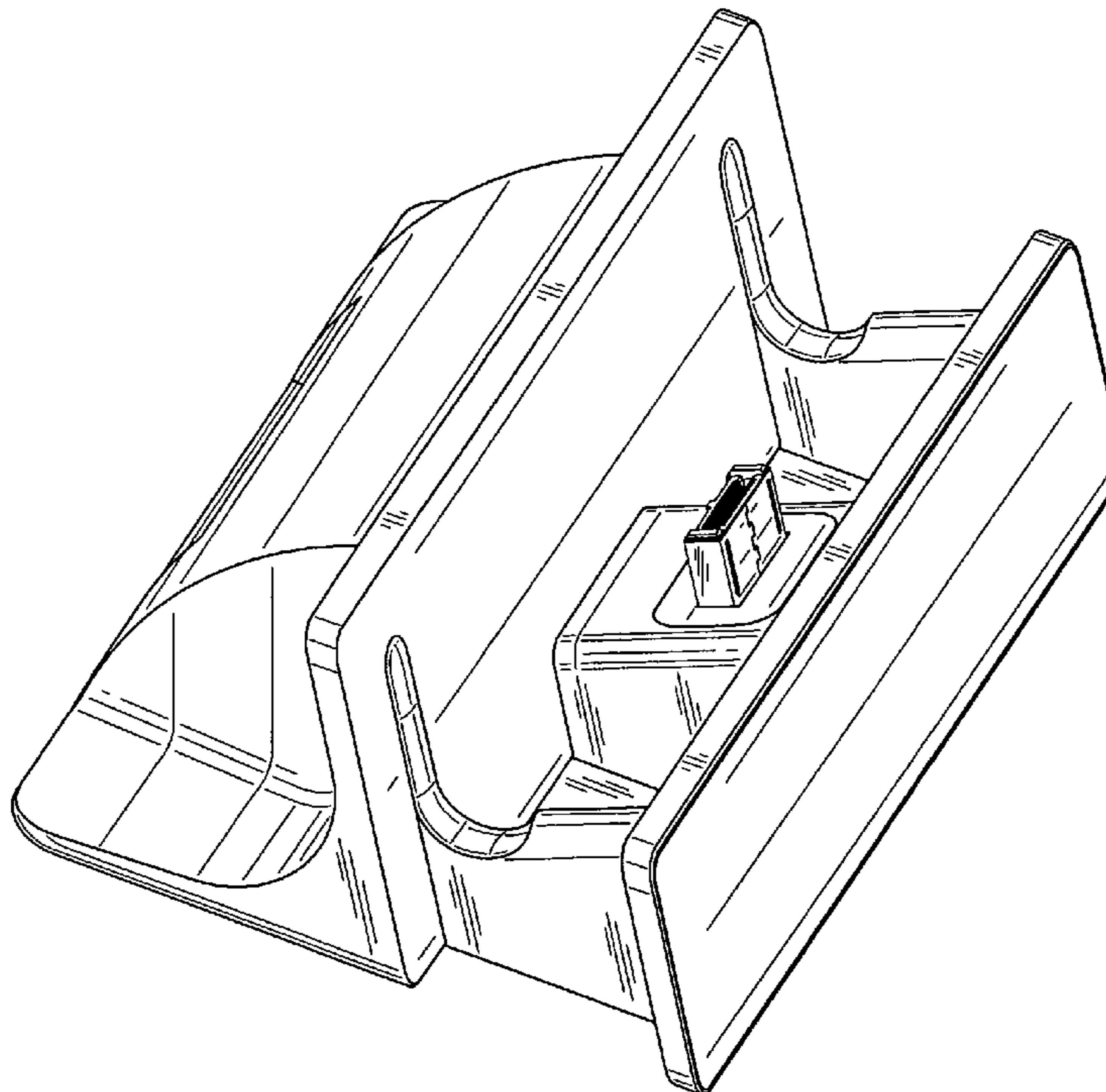


FIG.1

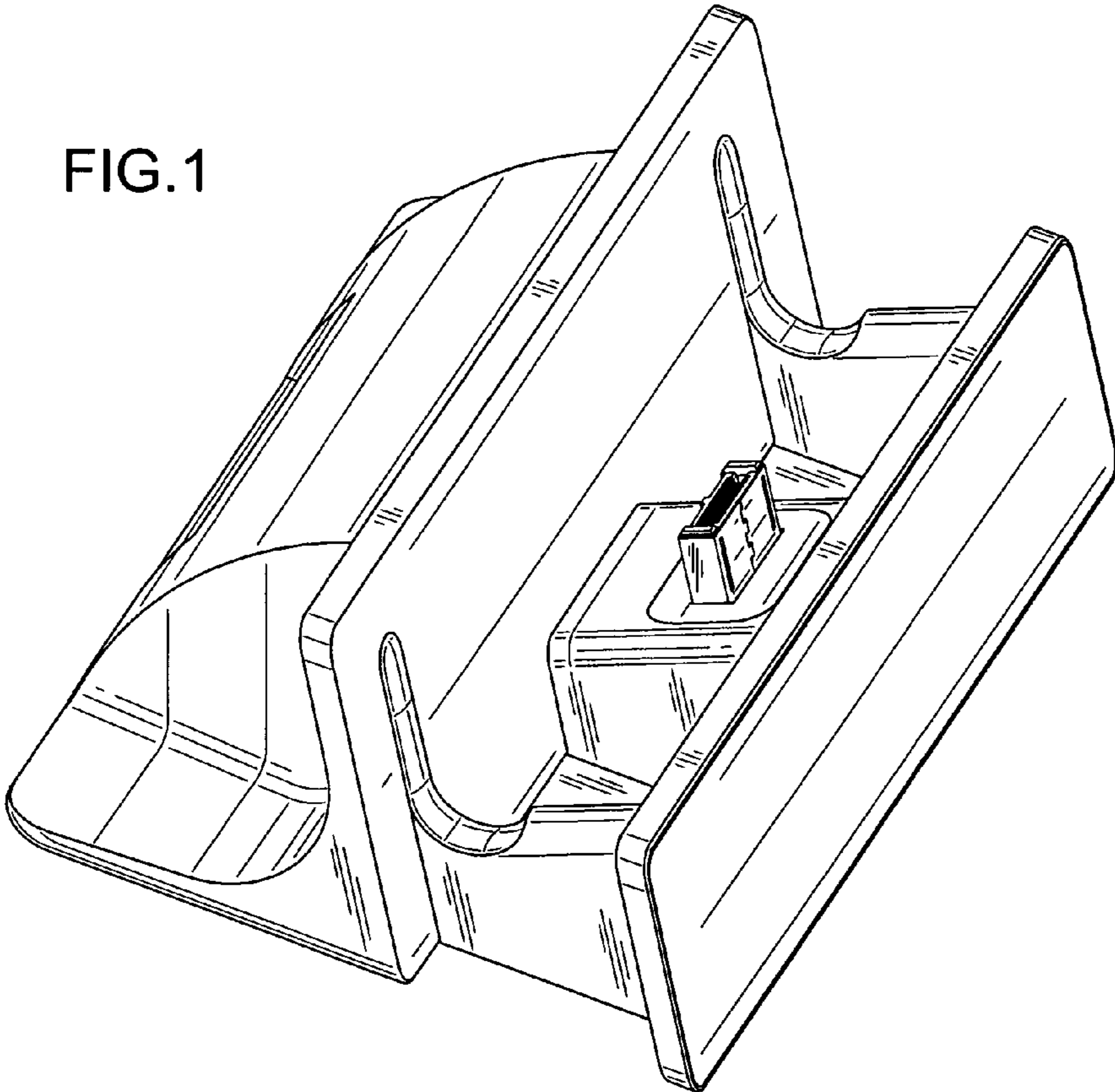


FIG.2

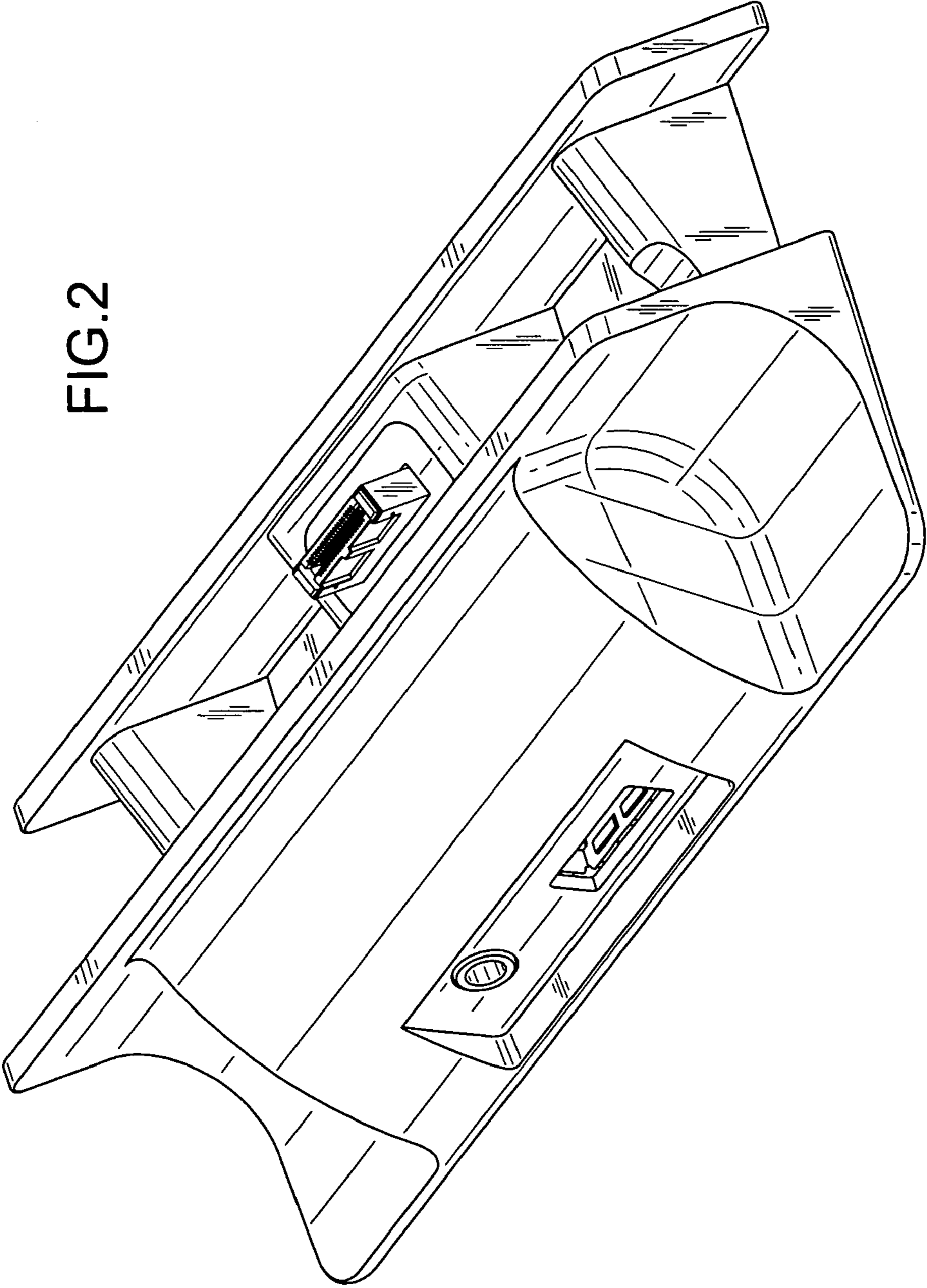


FIG.3

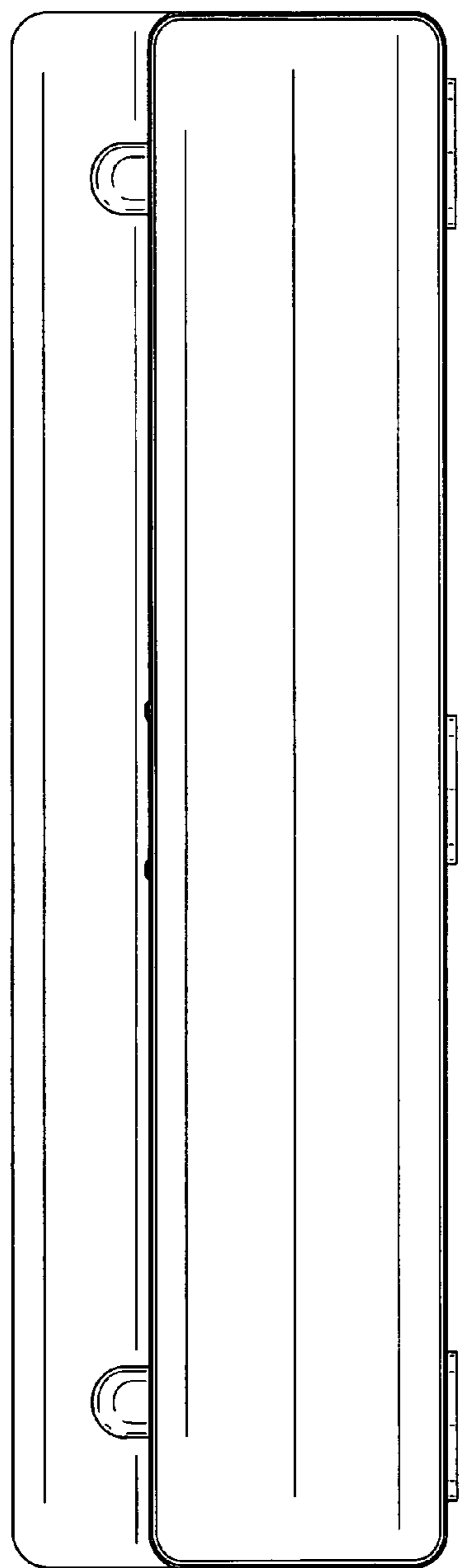


FIG.4

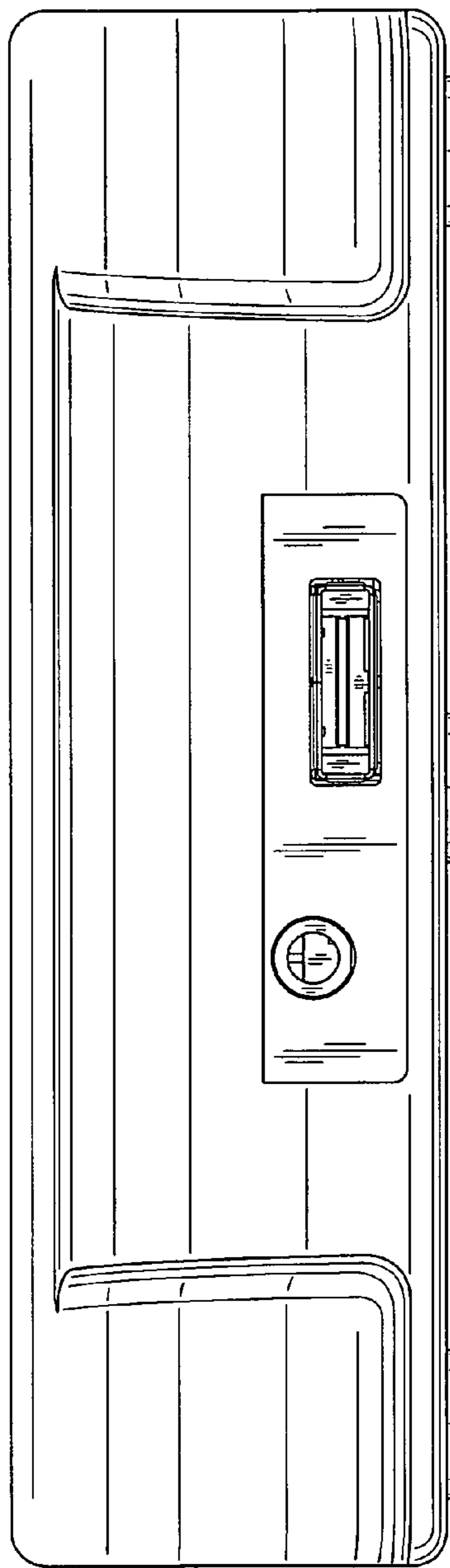


FIG.5

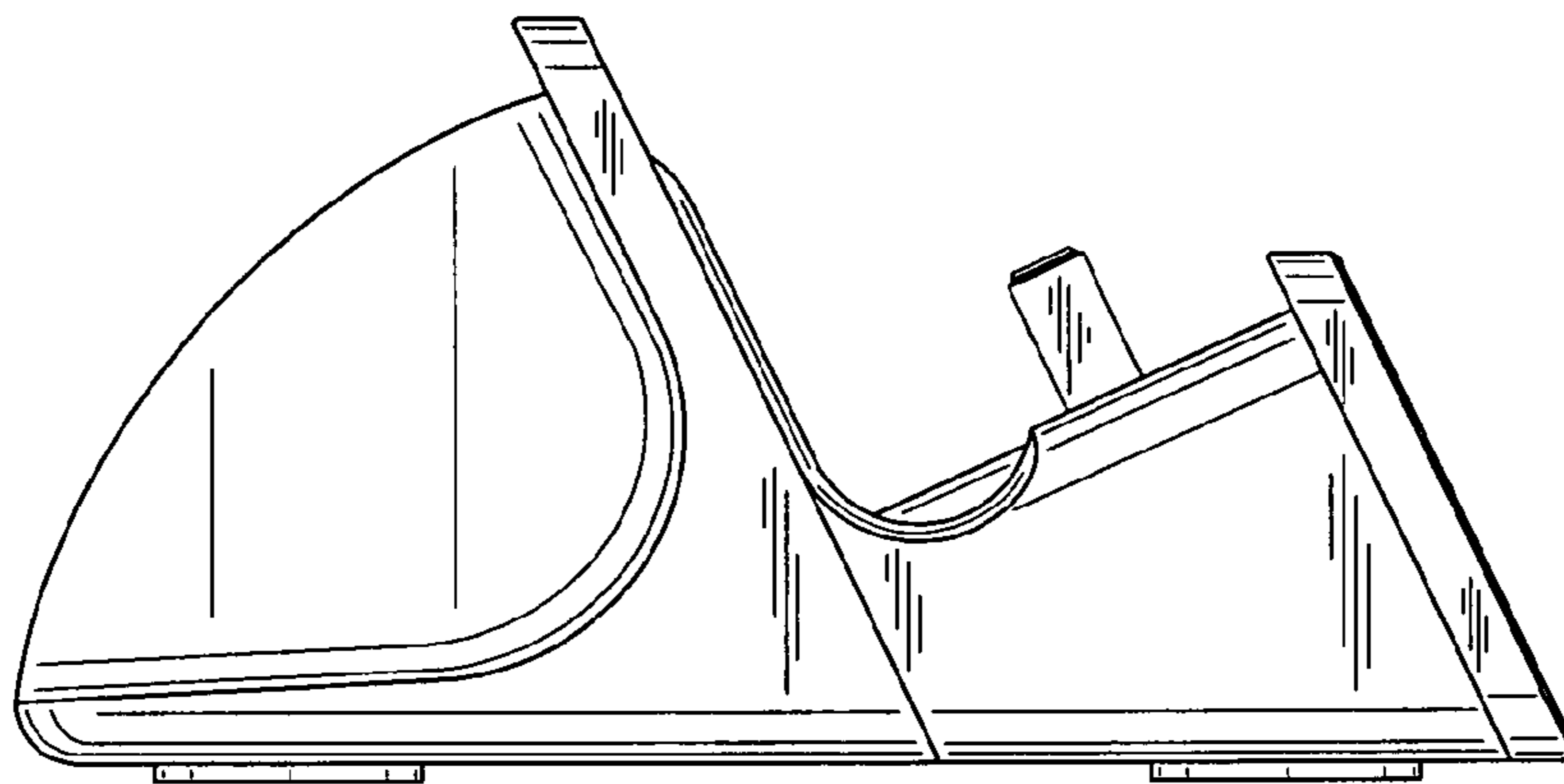


FIG.6

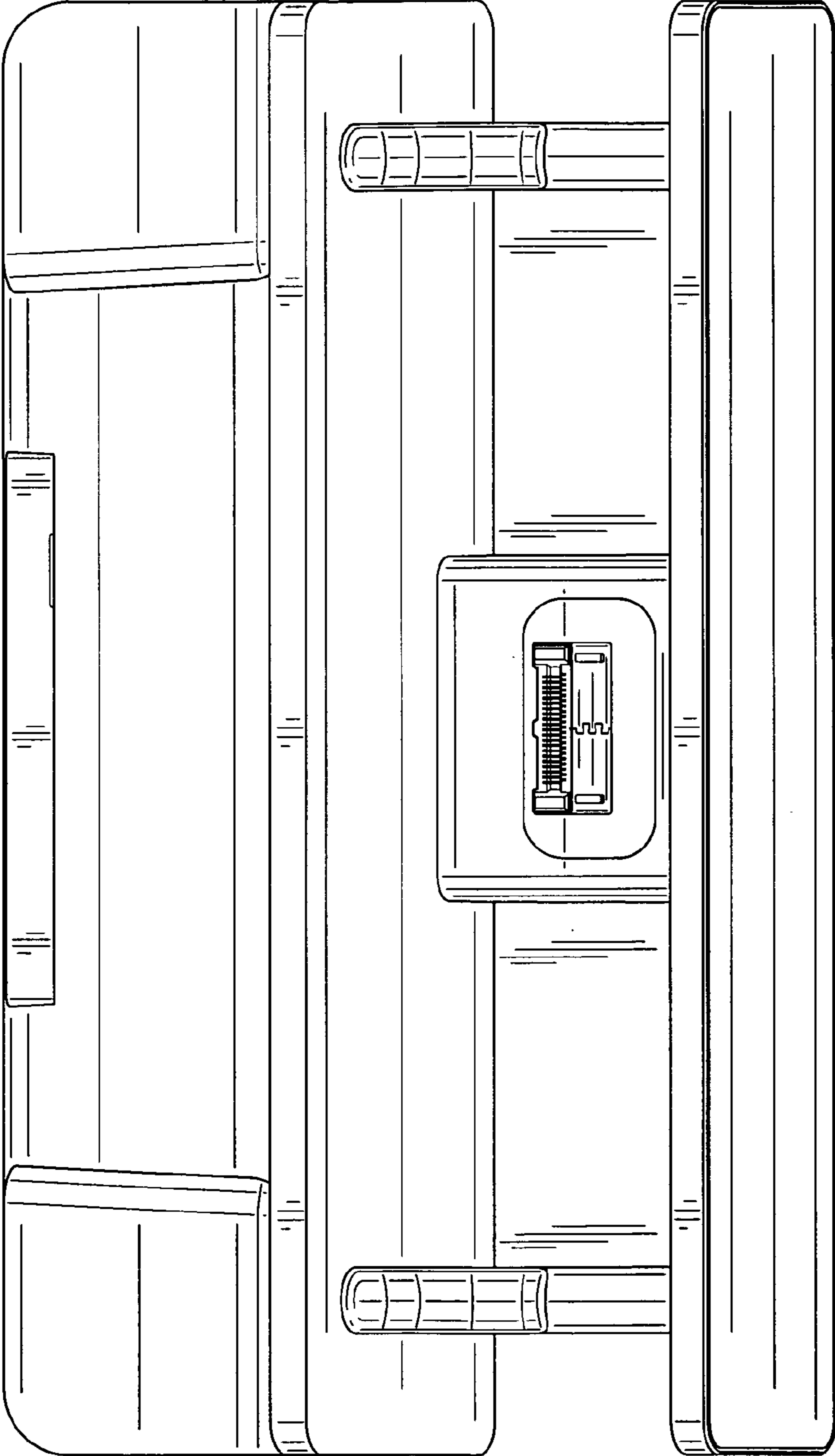


FIG.7

