



US00D671542S

(12) **United States Design Patent**
Siekmann et al.

(10) **Patent No.:** **US D671,542 S**

(45) **Date of Patent:** **** Nov. 27, 2012**

(54) **IMAGING DEVICE**

(75) Inventors: **Jay S. Siekmann**, Lexington, KY (US);
Chunshik Kim, Portland, OR (US);
Christian Freissler, Portland, OR (US);
David Thorpe, Portland, OR (US); **Jo**
Frances Wollschlaeger, Portland, OR
(US)

(73) Assignee: **Lexmark International, Inc.**,
Lexington, KY (US)

(**) Term: **14 Years**

(21) Appl. No.: **29/379,071**

(22) Filed: **Nov. 13, 2010**

(51) **LOC (9) Cl.** **14-02**

(52) **U.S. Cl.** **D14/422**

(58) **Field of Classification Search** D14/420-424,
D14/383-386, 341, 129, 336, 409, 374, 329,
D14/373, 130, 900, 902, 337; D18/4.1, 4.4-4.6,
D18/50; D21/329, 369, 325, 370; D26/371,
D26/45, 50; 235/375, 378, 385, 454, 462.02,
235/486, 380, 382, 382.5, 383, 462.15, 462.43,
235/494, 462.14; 382/312-315, 318-321;
250/203.1, 216; 399/7, 211; 358/497, 473,
358/474, 471, 494; D24/186, 165, 167; D6/515,
D6/545; 705/20; 340/5.91; D99/28; D20/2,
D20/8, 10; D16/225

See application file for complete search history.

(56) **References Cited**

U.S. PATENT DOCUMENTS

D213,446 S * 3/1969 Sabella D14/420
D218,200 S 7/1970 Hertel et al.
D220,573 S * 4/1971 Belokin, Jr. D21/370
D233,061 S * 10/1974 Black et al. D20/2
D254,980 S * 5/1980 White et al. D21/395
D259,184 S * 5/1981 Francis et al. D10/15
D263,831 S * 4/1982 Barbera et al. D14/462
D270,360 S * 8/1983 Wickstead D21/329
D276,538 S * 11/1984 Nishida D20/2

D280,103 S * 8/1985 Bonnefoy D16/225
4,536,164 A * 8/1985 Klawitter 446/143
D281,175 S * 10/1985 Mitchell D20/2
4,611,865 A * 9/1986 Daws 312/114
D287,591 S * 1/1987 Kaplan et al. D14/387
D291,244 S * 8/1987 Jones et al. D24/167
D292,976 S * 12/1987 Kando D14/466
4,789,048 A * 12/1988 Cramer et al. 186/61
4,838,383 A * 6/1989 Saito et al. 186/59
D304,726 S * 11/1989 Brooks et al. D14/149
4,968,883 A * 11/1990 Leyshon et al. 250/239
D312,832 S * 12/1990 Forsythe D18/4.4
D313,231 S * 12/1990 Taniuchi et al. D14/130
D315,361 S * 3/1991 Kojima et al. D18/55
D316,707 S * 5/1991 Allgeier D14/420
D318,066 S * 7/1991 Moro D18/54
D323,894 S * 2/1992 Rosati et al. D24/186

(Continued)

OTHER PUBLICATIONS

France, CNET Editor's Review of HP Scanjet 4670, Nov. 25, 2003,
http://reviews.cnet.com/scanners/hp-scanjet-4670/4505-3136_7-30535469.html.

(Continued)

Primary Examiner — Susan Moon Lee

(57)

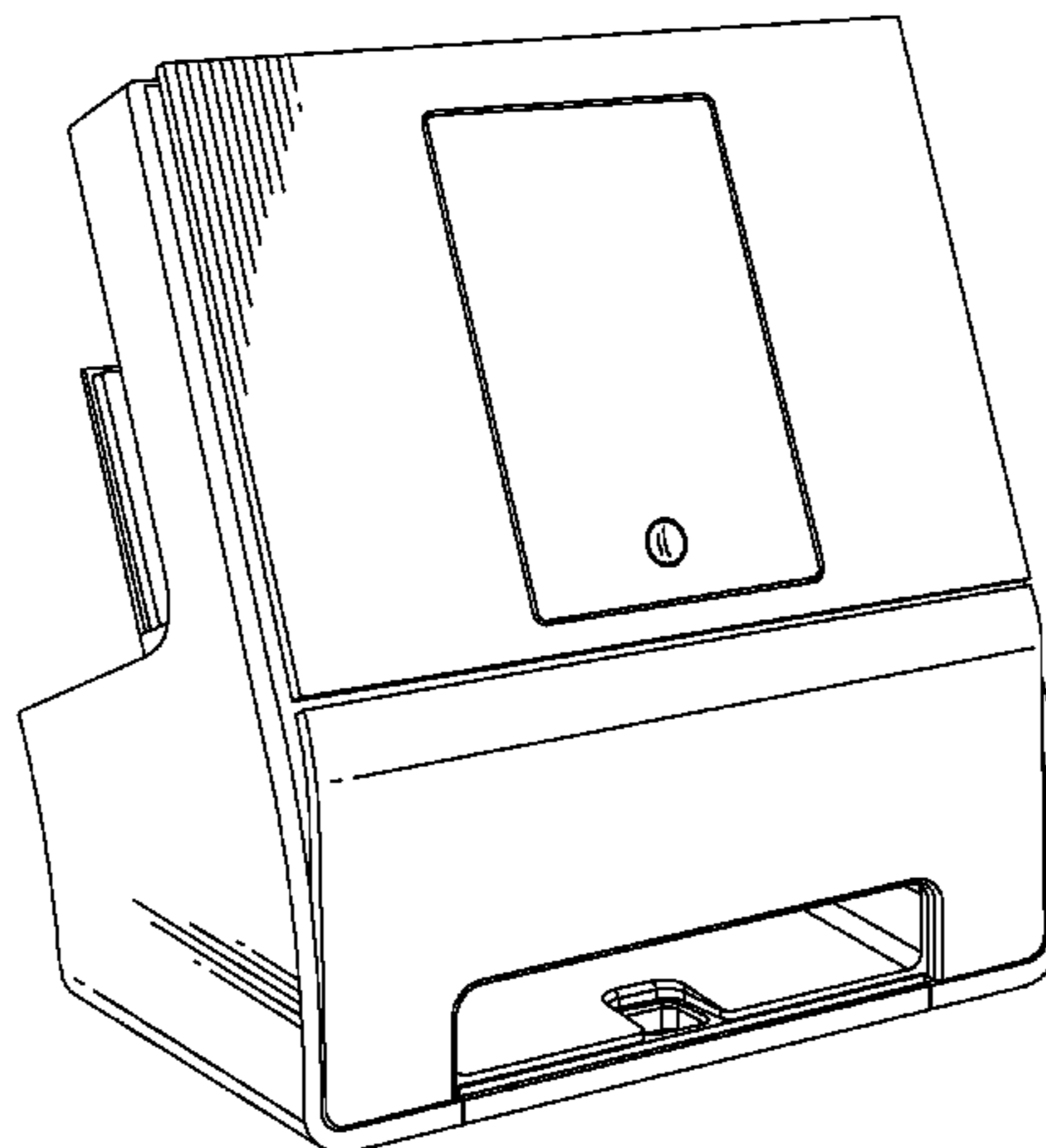
CLAIM

The ornamental design for an imaging device, as shown and described.

DESCRIPTION

FIG. 1 is a front perspective view of an imaging device according to an embodiment of our design;
FIG. 2 is a rear perspective view thereof;
FIG. 3 is a front elevational view thereof;
FIG. 4 is a right side elevational view thereof, the left side elevational view being a mirror image of the right side elevational view;
FIG. 5 is a back elevational view thereof; and,
FIG. 6 is top plan view thereof.
The bottom of the imaging device is not being claimed.

1 Claim, 6 Drawing Sheets



US D671,542 S

Page 2

U.S. PATENT DOCUMENTS

D324,436	S	3/1992	Embree				
D324,885	S *	3/1992	Duhamel	D21/325		
D325,196	S *	4/1992	Stanger et al.	D14/384		
D329,609	S *	9/1992	Wolff	D10/2		
5,150,813	A *	9/1992	Harris et al.	220/480		
5,155,346	A *	10/1992	Doing et al.	235/462.45		
D330,983	S *	11/1992	De Moss	D6/515		
D332,258	S	1/1993	Urushihara et al.				
D333,304	S *	2/1993	Taniuchi et al.	D14/467		
D333,316	S *	2/1993	Ishizawa	D18/55		
5,183,431	A	2/1993	Todokoro				
5,192,857	A *	3/1993	Detwiler	235/462.39		
D340,740	S *	10/1993	Kawashima	D18/50		
D341,586	S *	11/1993	Alvarez-Ryan et al.	D14/130		
D344,513	S	2/1994	Taniuchi et al.				
D345,966	S *	4/1994	Perez	D18/4.5		
D346,158	S *	4/1994	Stanger et al.	D14/384		
D346,594	S *	5/1994	Skaggs et al.	D14/375		
D348,260	S *	6/1994	Allgeier	D14/430		
D350,743	S *	9/1994	Hicks et al.	D14/130		
5,364,196	A	11/1994	Baitz et al.				
D354,954	S *	1/1995	Naito et al.	D14/130		
D355,897	S *	2/1995	Nakanishi et al.	D14/373		
D359,273	S *	6/1995	Dittmer	D18/4.6		
D366,975	S *	2/1996	Kaga	D6/470		
D372,613	S *	8/1996	Nixon, II	D6/545		
D373,576	S *	9/1996	Liggett	D14/341		
D375,085	S *	10/1996	Kellar et al.	D14/371		
5,588,621	A *	12/1996	Collins et al.	248/27.1		
5,619,397	A *	4/1997	Honda et al.	361/679.43		
D381,651	S *	7/1997	Banik et al.	D14/129		
D381,976	S *	8/1997	Sandor et al.	D14/420		
5,661,297	A *	8/1997	Aleshire et al.	250/239		
5,665,955	A *	9/1997	Collins et al.	235/462.14		
D385,904	S *	11/1997	Kim	D18/4.4		
D386,173	S *	11/1997	Scibora et al.	D14/420		
D386,489	S *	11/1997	Goldman et al.	D14/420		
5,691,528	A *	11/1997	Wyatt et al.	235/462.07		
D387,337	S *	12/1997	Sween et al.	D14/420		
D389,813	S *	1/1998	Itoh	D18/4.5		
D389,817	S *	1/1998	Umetsu	D14/384		
5,710,416	A *	1/1998	Belknap et al.	235/383		
D392,946	S *	3/1998	Elkins	D14/329		
D395,458	S *	6/1998	Smith et al.	D21/329		
D395,463	S *	6/1998	Scott et al.	D21/370		
D400,200	S *	10/1998	Yamazaki	D14/130		
5,834,751	A *	11/1998	Jager et al.	235/462.46		
5,859,414	A *	1/1999	Grimes et al.	235/383		
5,877,746	A	3/1999	Parks et al.				
D408,383	S *	4/1999	Carter et al.	D14/374		
D408,799	S *	4/1999	Daury	D14/385		
D409,584	S *	5/1999	Fetherolf	D14/422		
D410,499	S *	6/1999	Smith et al.	D21/329		
5,917,995	A	6/1999	Ota				
D415,148	S *	10/1999	Ma et al.	D14/130		
D415,330	S *	10/1999	King	D99/28		
D419,996	S *	2/2000	Gosling	D14/146		
6,053,412	A *	4/2000	Wike et al.	235/462.43		
D424,956	S *	5/2000	von Buelow et al.	D10/81		
6,065,677	A *	5/2000	Lippert et al.	235/462.43		
6,065,728	A *	5/2000	Spradlin	248/309.1		
D428,047	S *	7/2000	Kolls	D18/4.6		
D433,394	S *	11/2000	Suzuki	D14/126		
D433,701	S *	11/2000	Chiu	D18/4.6		
D434,399	S *	11/2000	Lanet	D14/130		
D434,759	S *	12/2000	Wang	D14/336		
D435,525	S *	12/2000	Eddington et al.	D14/130		
6,155,491	A *	12/2000	Dueker et al.	235/486		
D436,937	S *	1/2001	Eddington et al.	D14/130		
D437,517	S *	2/2001	Murray	D6/515		
D438,569	S *	3/2001	Hofmann	D20/10		
D440,565	S *	4/2001	Ono et al.	D14/375		
6,219,229	B1	4/2001	Lee				
D441,358	S *	5/2001	Chu	D14/337		
6,233,064	B1	5/2001	Griffin				
D444,819	S *	7/2001	Kurz et al.	D21/329		
D446,306	S *	8/2001	Ochi et al.	D24/186		
D447,136	S *	8/2001	Groves et al.	D14/336		
D447,137	S *	8/2001	Hultzman	D14/336		
D449,601	S *	10/2001	Baldwin et al.	D14/336		
D451,917	S	12/2001	Rahemtulla et al.				
D451,950	S *	12/2001	Ohashi	D18/50		
D452,511	S	12/2001	Benedetto et al.				
D452,884	S *	1/2002	Metral	D20/10		
D456,020	S *	4/2002	Obata et al.	D14/336		
D458,914	S *	6/2002	Devane et al.	D14/146		
6,433,941	B1	8/2002	Onoda				
6,507,352	B1 *	1/2003	Cohen et al.	715/817		
D471,192	S *	3/2003	Lin et al.	D14/335		
D472,581	S *	4/2003	Summers et al.	D20/10		
D475,985	S *	6/2003	Huang et al.	D14/130		
D477,601	S *	7/2003	Liao	D14/371		
6,601,039	B1 *	7/2003	Kolls	705/14.23		
D478,618	S *	8/2003	Obara	D18/54		
D479,517	S *	9/2003	Weidinger	D14/151		
D480,397	S *	10/2003	Forsythe et al.	D14/383		
D486,827	S *	2/2004	Detallante	D14/420		
D487,435	S *	3/2004	Huang et al.	D14/130		
D491,217	S *	6/2004	Miyauchi et al.	D18/50		
6,744,938	B1 *	6/2004	Rantze et al.	382/312		
D493,452	S *	7/2004	Devane et al.	D14/307		
D494,176	S	8/2004	Porter et al.				
D494,582	S *	8/2004	Lancaster, Jr.	D14/335		
D494,589	S *	8/2004	Liljestrand et al.	D14/383		
D505,948	S *	6/2005	Vrachan et al.	D14/307		
D507,023	S *	7/2005	Simonetti et al.	D21/369		
D513,905	S *	1/2006	Lucatello	D6/432		
6,991,169	B2 *	1/2006	Bobba et al.	235/462.39		
D519,548	S *	4/2006	Bergstrom	D18/50		
7,021,547	B2 *	4/2006	Byun et al.	235/462.43		
D527,760	S *	9/2006	Ono	D18/4.5		
D532,395	S *	11/2006	Rashid	D14/126		
D532,763	S *	11/2006	Rashid	D14/126		
7,137,711	B1 *	11/2006	Reiffel	359/516		
D533,857	S *	12/2006	Bradley	D14/126		
7,154,642	B2	12/2006	Lichtfuss				
D542,291	S *	5/2007	Kang et al.	D14/384		
D542,292	S *	5/2007	Kitamura et al.	D14/422		
D545,692	S *	7/2007	Bhavnani	D10/2		
D545,782	S *	7/2007	Schiller et al.	D14/126		
D551,224	S *	9/2007	Hatling et al.	D14/331		
D551,287	S	9/2007	Ishigami et al.				
D558,262	S *	12/2007	Hong et al.	D18/50		
7,320,432	B2 *	1/2008	Sureaud et al.	235/462.43		
D564,033	S *	3/2008	Itskov et al.	D21/329		
D565,538	S *	4/2008	Bhavnani	D14/189		
D571,371	S *	6/2008	Kuroda et al.	D14/422		
D573,596	S *	7/2008	Laidlaw et al.	D14/422		
D574,829	S *	8/2008	Shirai et al.	D14/422		
D578,535	S *	10/2008	Schmitz	D14/421		
D581,984	S *	12/2008	Bergstrom	D20/2		
D583,060	S *	12/2008	Kitamura et al.	D24/165		
D586,598	S *	2/2009	Tefel et al.	D6/515		
D590,872	S *	4/2009	Sakano	D18/50		
D594,260	S *	6/2009	Pattberg	D6/545		
D596,598	S *	7/2009	Huang et al.	D14/130		
D597,138	S *	7/2009	Herndon et al.	D20/2		
D604,973	S *	12/2009	Morrison et al.	D6/515		
D604,974	S *	12/2009	Morrison et al.	D6/515		
D612,276	S *	3/2010	Duffy et al.	D10/81		
D615,515	S *	5/2010	Hwang	D14/130		
D625,304	S *	10/2010	Armstrong	D14/307		
D631,050	S *	1/2011	Iliffe-Moon et al.	D14/422		
D637,595	S *	5/2011	Mizusugi	D14/307		
D640,254	S *	6/2011	Pepper et al.	D14/336		
D642,179	S *	7/2011	Kuroda et al.	D14/422		
D642,180	S *	7/2011	Hampf et al.	D14/422		
8,025,224	B2 *	9/2011	Fajkowski	235/383		
D646,269	S *	10/2011	Crick et al.	D14/307		
2002/0195542	A1	12/2002	Baggs				
2003/0019938	A1 *	1/2003	Byun et al.	235/462.43		
2003/0063337	A1 *	4/2003	Shirai et al.	358/498		
2003/0201326	A1 *	10/2003	Bobba et al.	235/462.14		
2004/0234292	A1	11/2004	Sato et al.				
2005/0040238	A1 *	2/2005	Byun et al.	235/462.43		
2006/0034548	A1 *	2/2006	Pishdadian et al.	382/312		
2006/0054703	A1 *	3/2006	Kahn et al.	235/462.14		

US D671,542 S

Page 3

2006/0291945 A1 12/2006 Silverbrook
2007/0137726 A1* 6/2007 Yan 141/85
2007/0188818 A1 8/2007 Westcott et al.
2007/0228174 A1* 10/2007 Vinogradov et al. 235/462.43
2007/0290043 A1* 12/2007 Russell et al. 235/462.14
2009/0021797 A1 1/2009 Luciano
2009/0114582 A1* 5/2009 Grant et al. 210/175
2010/0118327 A1 5/2010 Caspar et al.
2011/0303742 A1* 12/2011 Huang et al. 235/375

OTHER PUBLICATIONS

Non-Final Office Action for U.S. Appl. No. 29/329,859, dated Mar.
22, 2010.

* cited by examiner

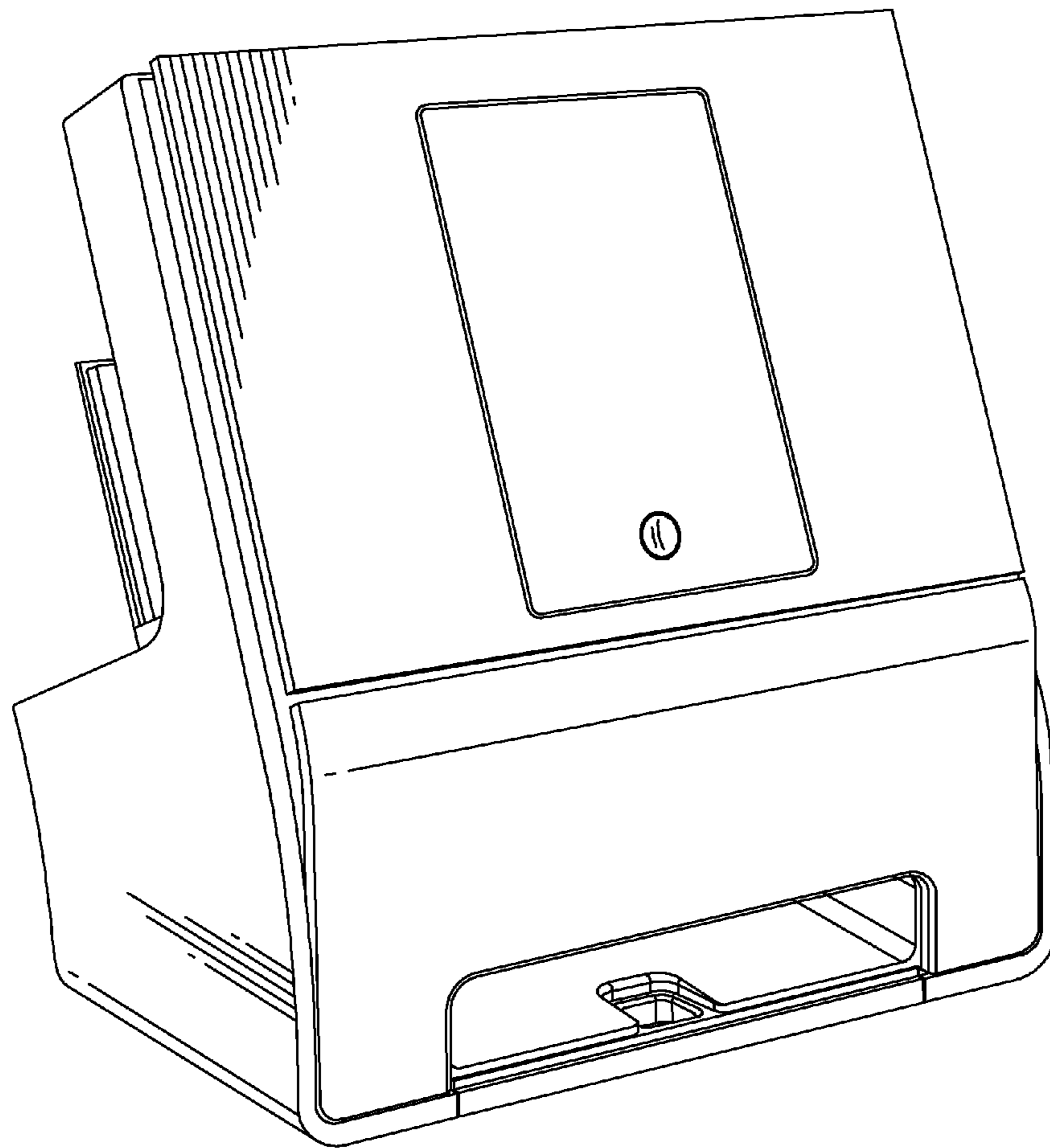


FIG. 1

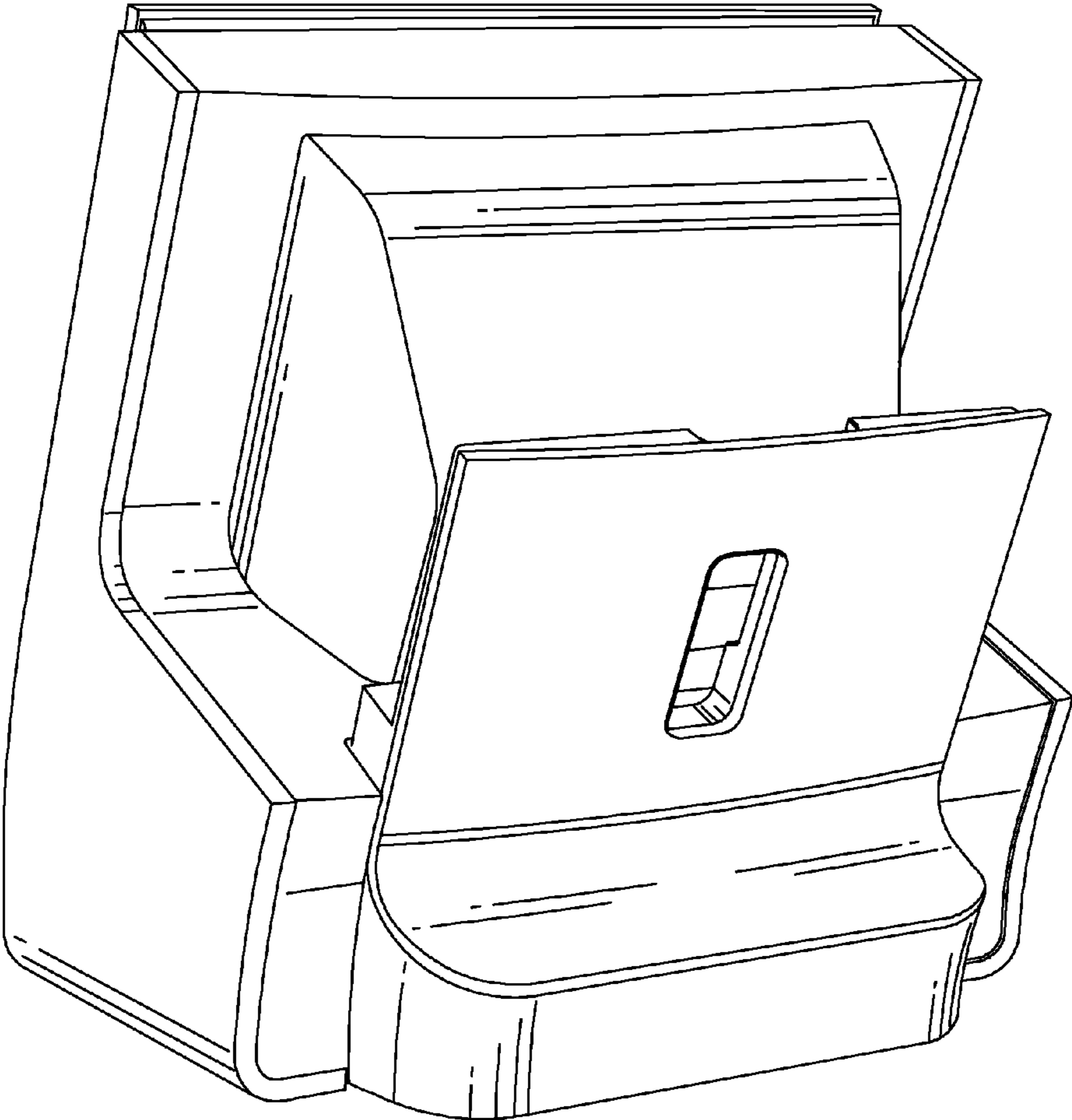


FIG. 2

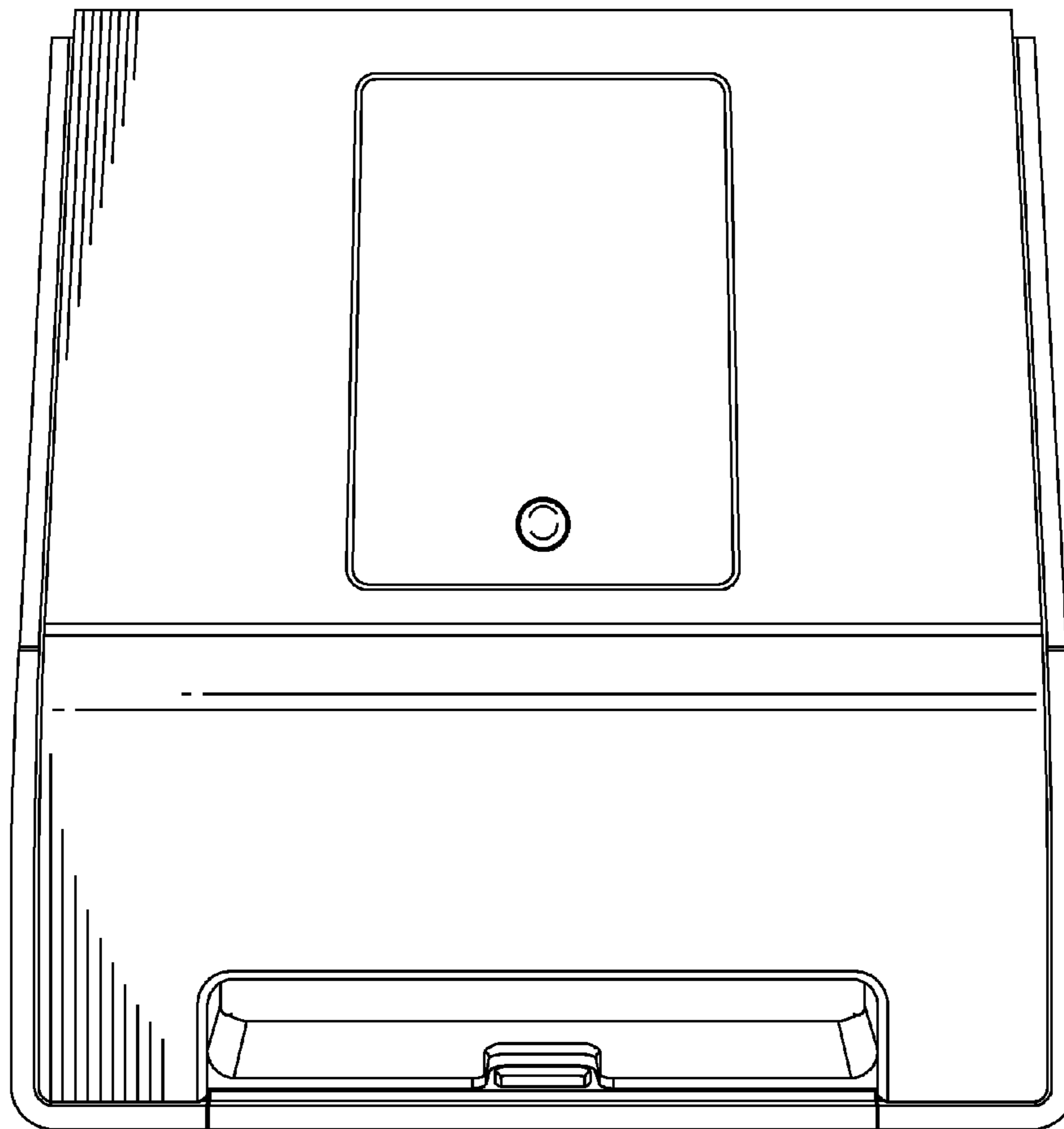


FIG. 3

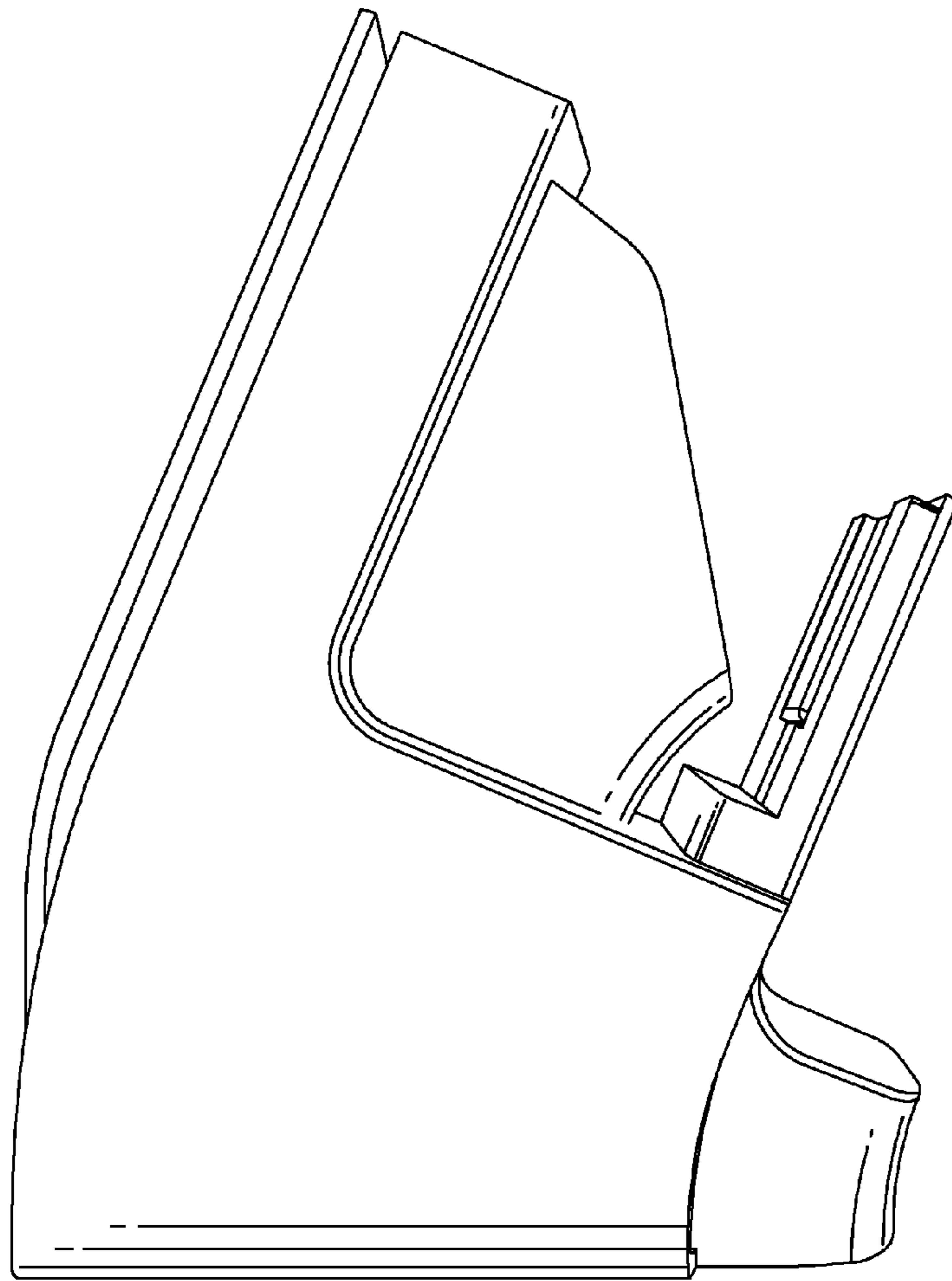


FIG. 4

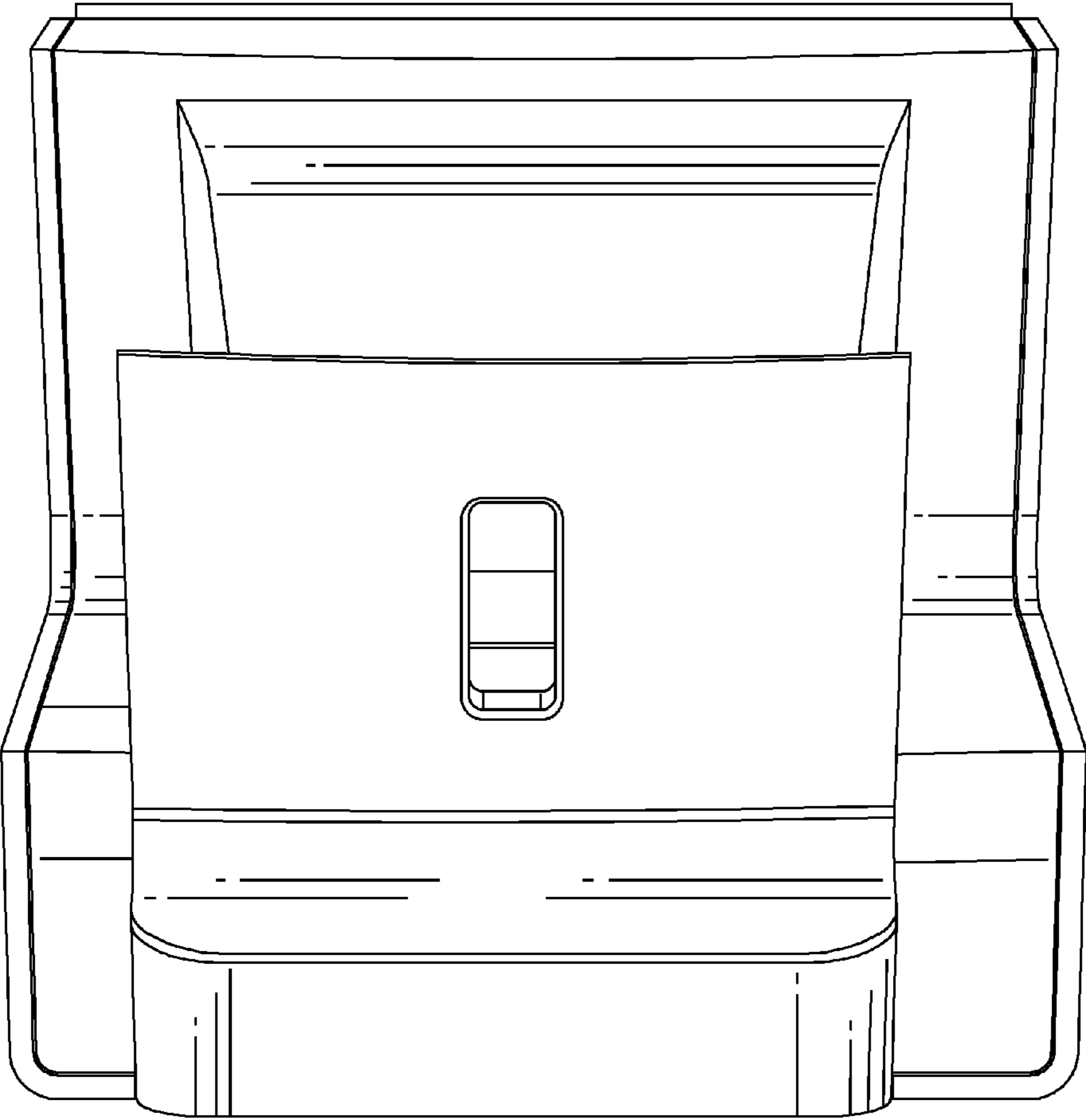


FIG. 5

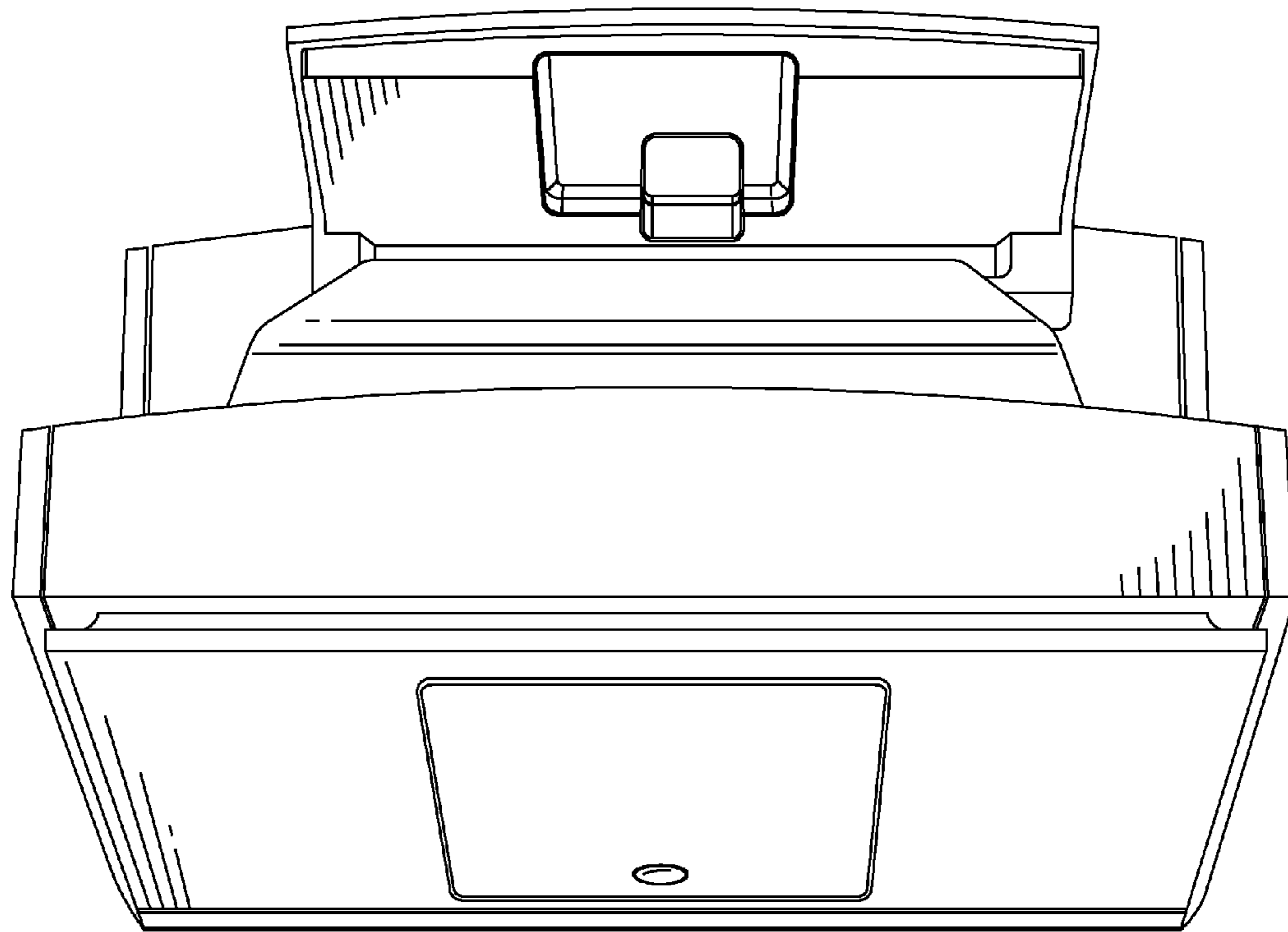


FIG. 6