



US00D671540S

(12) **United States Design Patent**
Yukawa et al.

(10) **Patent No.:** **US D671,540 S**

(45) **Date of Patent:** **** Nov. 27, 2012**

(54) **COMPUTER**

(75) Inventors: **Shuhei Yukawa**, Tokyo (JP); **Yasuaki Isonaga**, Tokyo (JP)

(73) Assignee: **Sony Corporation**, Tokyo (JP)

(**) Term: **14 Years**

(21) Appl. No.: **29/371,653**

(22) Filed: **Jun. 24, 2011**

(30) **Foreign Application Priority Data**

Dec. 24, 2010	(JP)	D2010-030797
Dec. 24, 2010	(JP)	D2010-030798
Dec. 27, 2010	(JP)	D2010-031182
Dec. 28, 2010	(JP)	D2010-031493
Dec. 29, 2010	(JP)	D2010-031590
Dec. 29, 2010	(JP)	D2010-031591

(51) **LOC (9) Cl.** **14-02**

(52) **U.S. Cl.** **D14/336; D14/451**

(58) **Field of Classification Search** D14/371-375,
D14/125-129, 336, 337, 448, 451; 341/12;
345/104, 156, 168, 173; 348/180, 184, 325,
348/739; 349/1, 2, 11, 62; 361/679.05-679.07,
361/679.21; D6/300, 308

See application file for complete search history.

(56) **References Cited**

U.S. PATENT DOCUMENTS

D504,876 S	*	5/2005	Zheng	D14/126
D529,911 S	*	10/2006	Yamashiro et al.	D14/375
D556,744 S		12/2007	Katagiri et al.		

D556,745 S		12/2007	Katagiri et al.		
D558,696 S	*	1/2008	Park et al.	D14/126
D563,335 S	*	3/2008	Murata et al.	D14/126
D601,143 S		9/2009	Oikawa et al.		
D615,508 S		5/2010	Kumano		
D615,542 S	*	5/2010	Oikawa et al.	D14/374
D620,903 S	*	8/2010	Song et al.	D14/126
D620,904 S	*	8/2010	Honda	D14/126
D634,323 S	*	3/2011	Park et al.	D14/374

OTHER PUBLICATIONS

Web page, Press Release, <http://www.sony.jp/CorporateCruise/Press/201103/11-0308B/>, 2 sheets, Sony Marketing (Japan) Inc., Mar. 8, 2011.

* cited by examiner

Primary Examiner — Freda S Nunn

(74) *Attorney, Agent, or Firm* — Rader, Fishman & Grauer PLLC

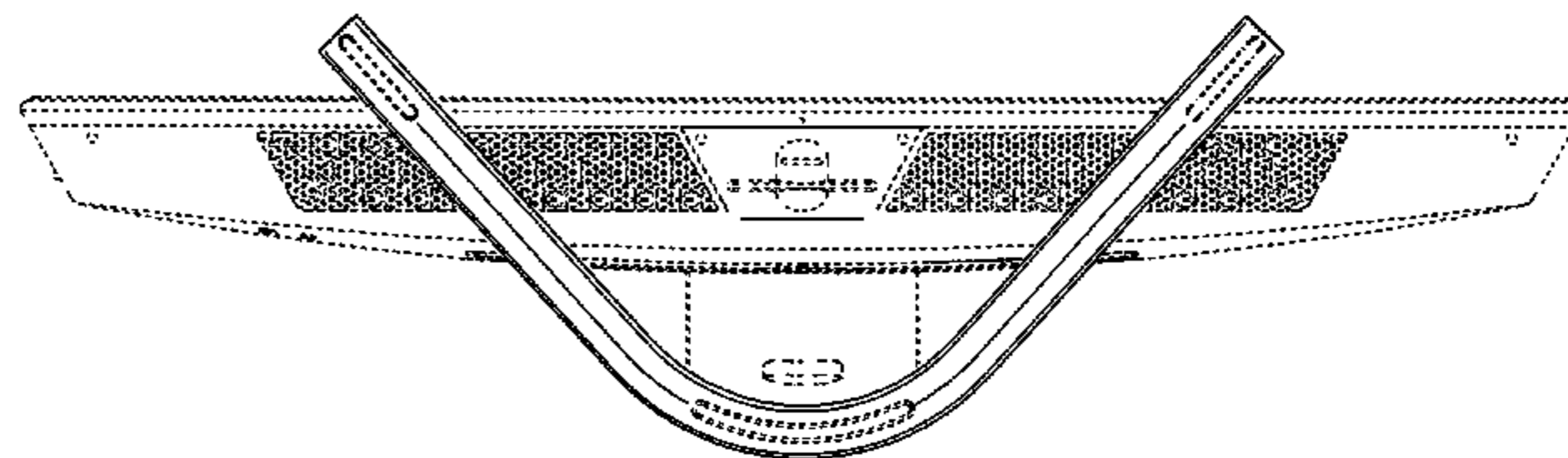
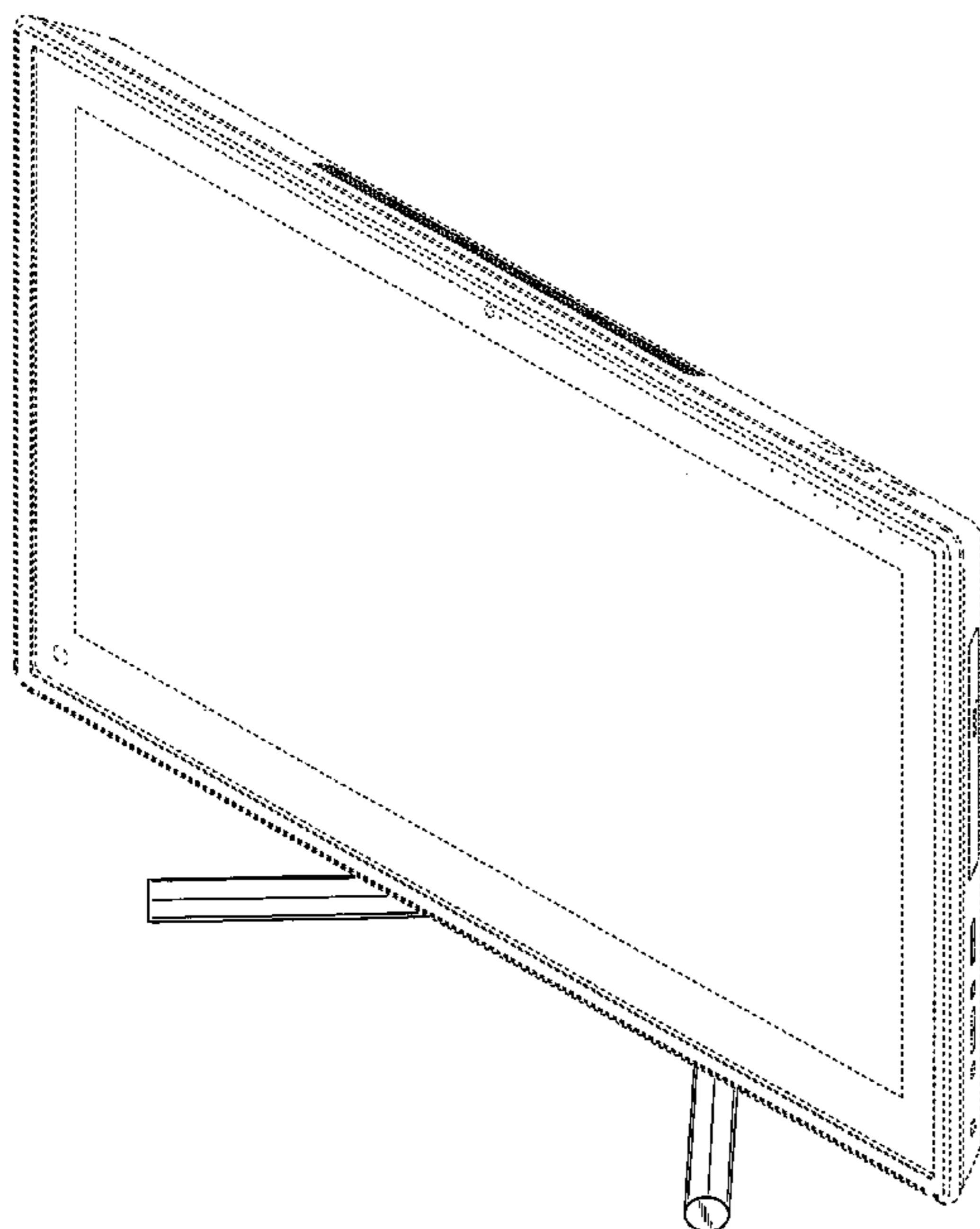
(57) **CLAIM**

The ornamental design for a computer, as shown and described.

DESCRIPTION

FIG. 1 is a perspective view of a computer showing my new design;
FIG. 2 is a front elevational view thereof;
FIG. 3 is a rear elevational view thereof;
FIG. 4 is a left side elevational view thereof;
FIG. 5 is a right side elevational view thereof;
FIG. 6 is a top plan view thereof; and,
FIG. 7 is a bottom plan view thereof.
Portions in broken lines are for illustrative purposes only and form no part of the claimed design.

1 Claim, 5 Drawing Sheets



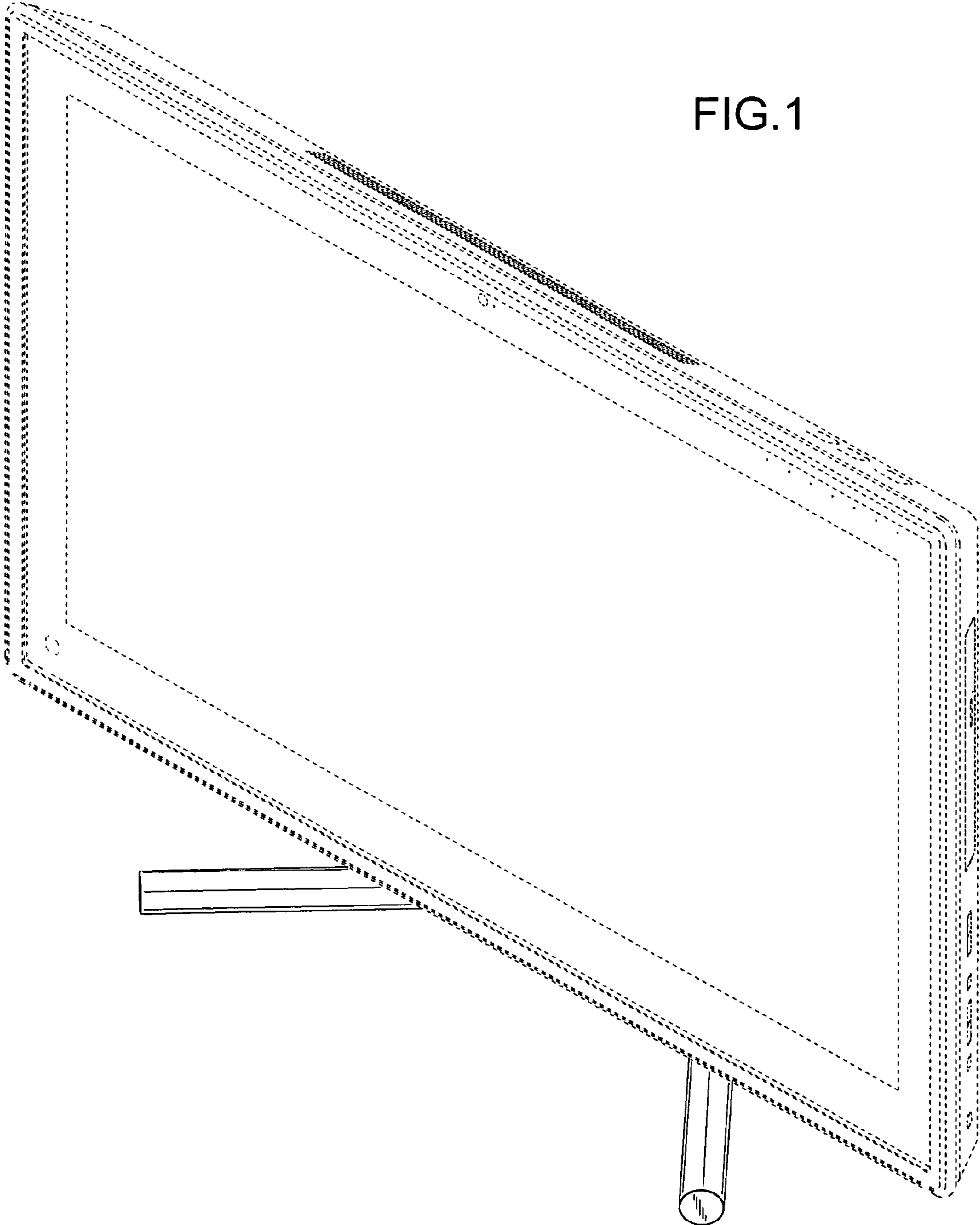


FIG. 1

FIG.2

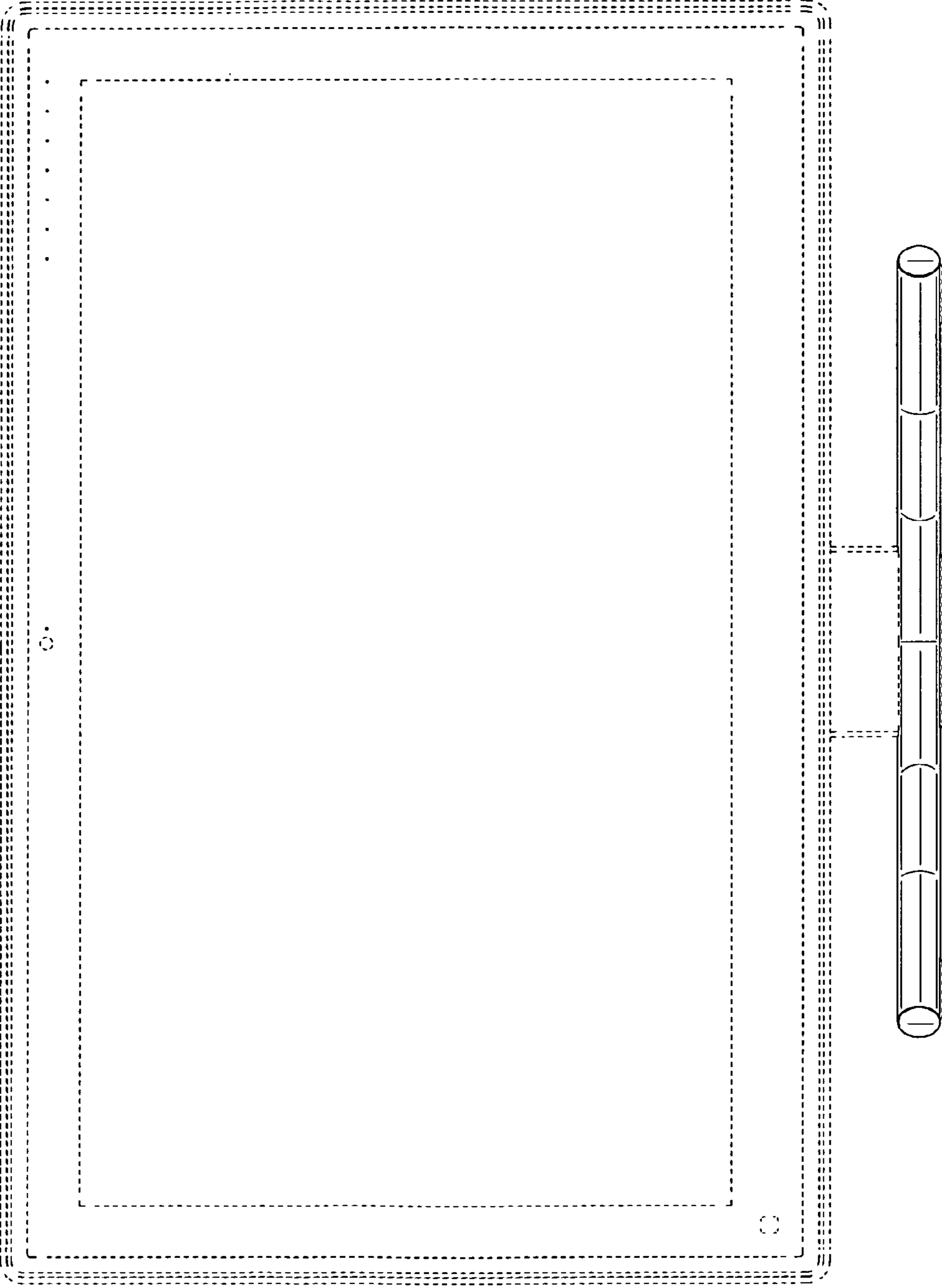


FIG.3

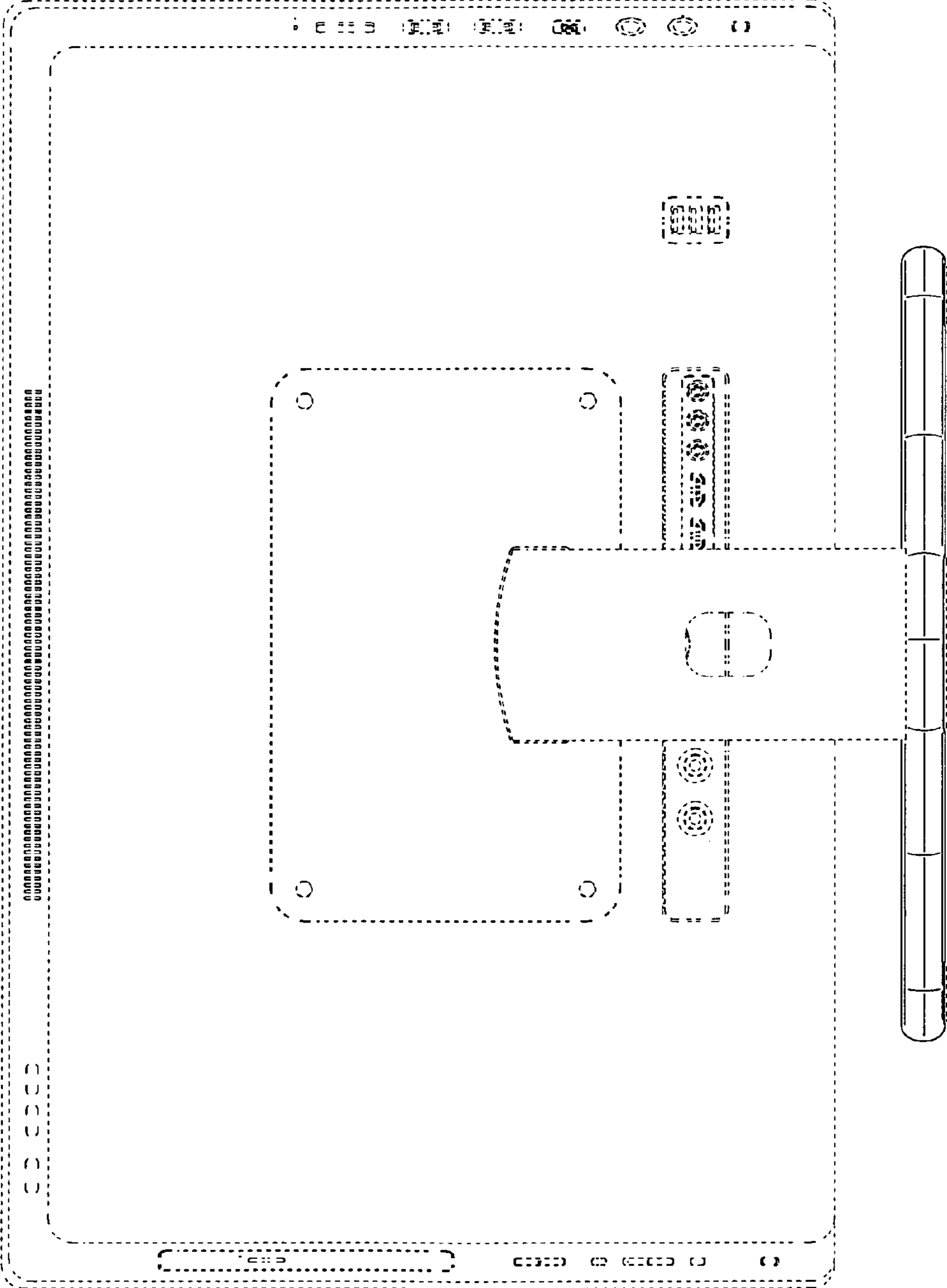


FIG.4

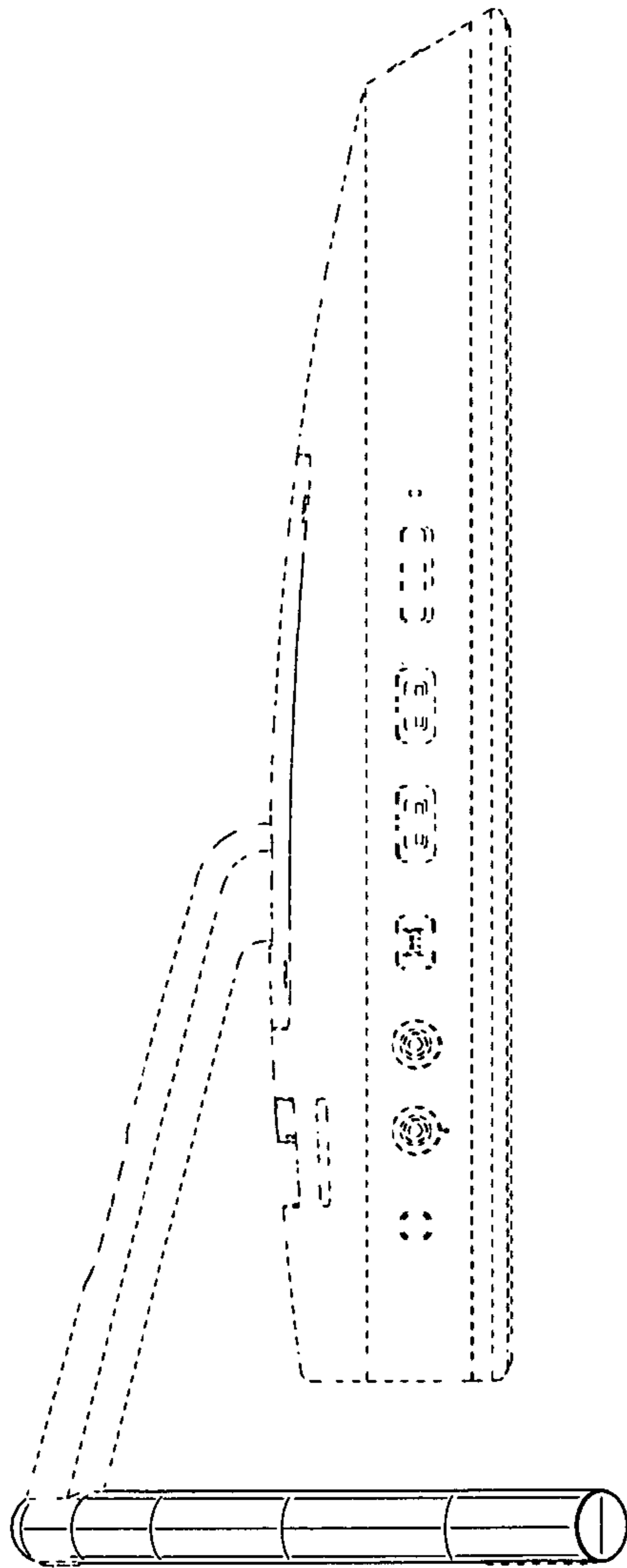
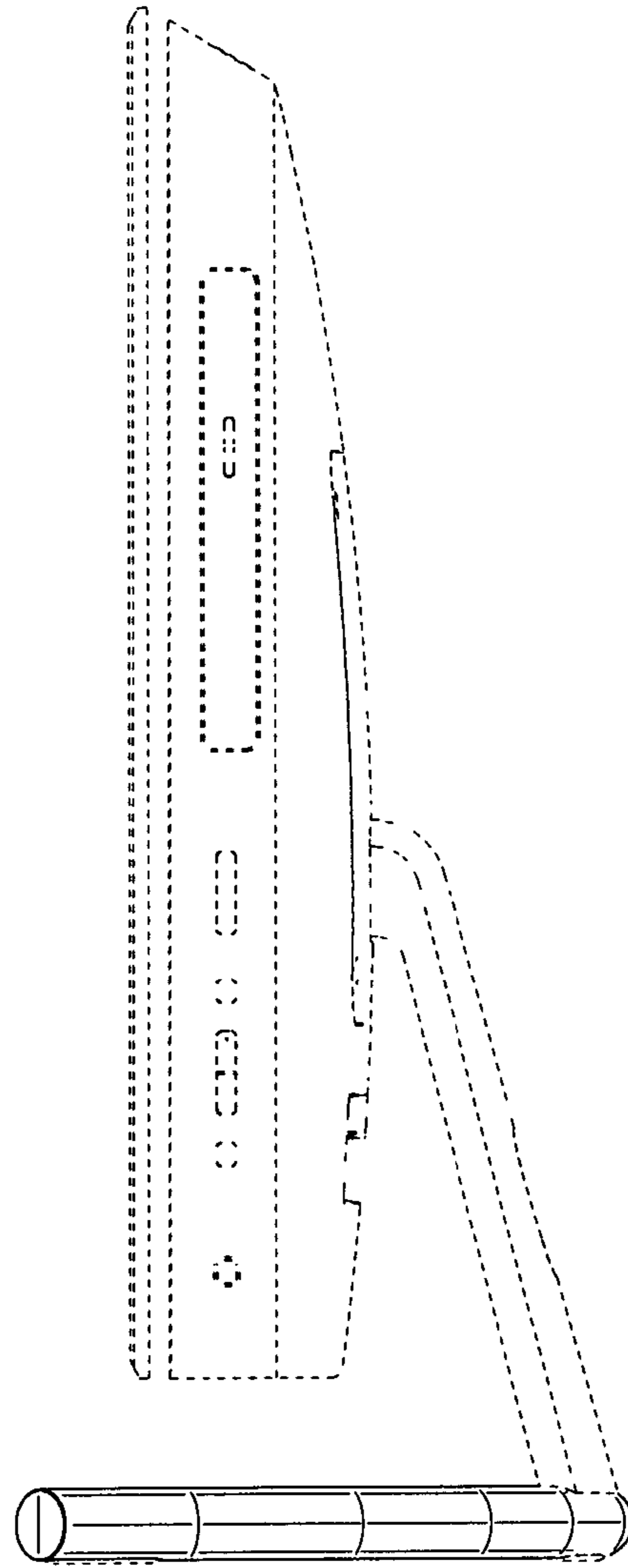


FIG.5



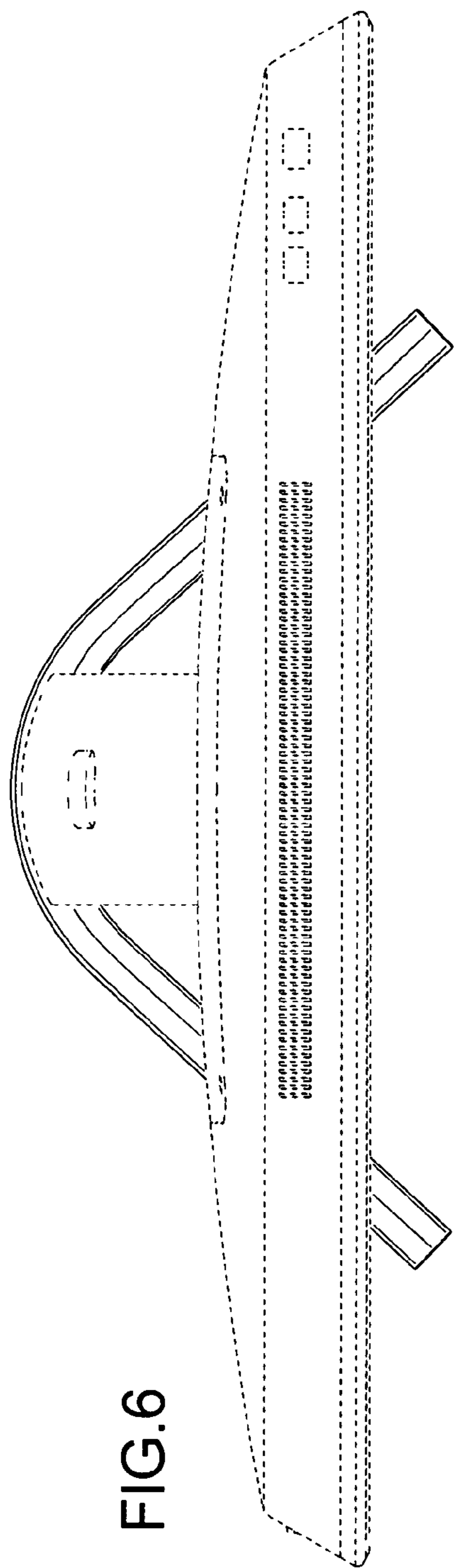


FIG. 6

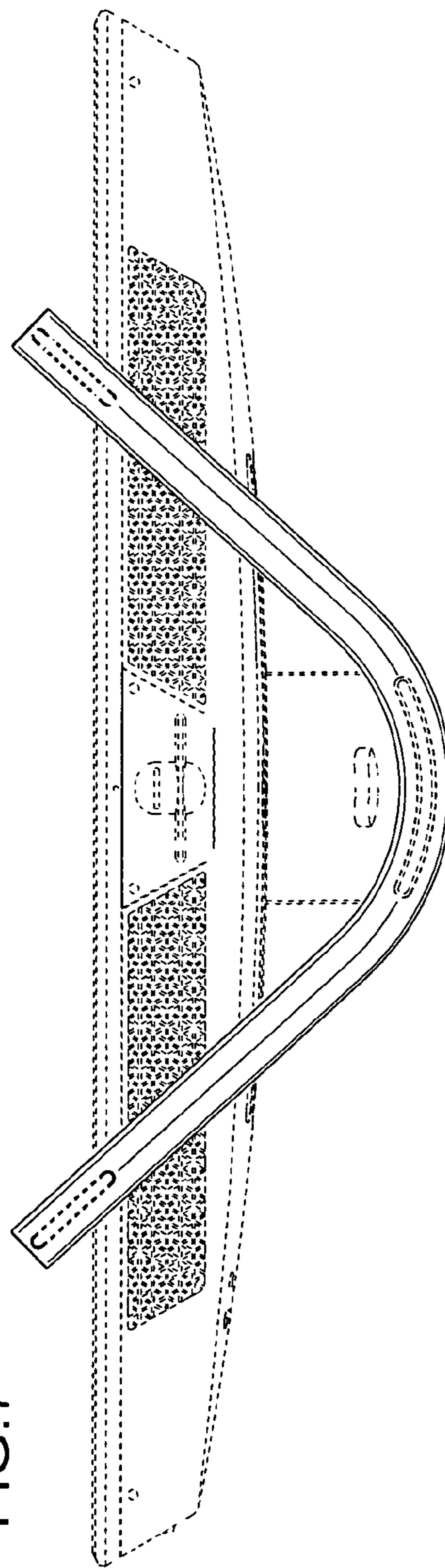


FIG. 7