



US00D671539S

(12) **United States Design Patent**
Kim et al.

(10) **Patent No.:** **US D671,539 S**
(45) **Date of Patent:** **** Nov. 27, 2012**

(54) **NOTEBOOK COMPUTER**

(75) Inventors: **Chung-Ha Kim**, Seoul (KR);
Jung-Hwan Hong, Seoul (KR)

(73) Assignee: **Samsung Electronics Co., Ltd.**, Suwon (KR)

(**) Term: **14 Years**

(21) Appl. No.: **29/419,903**

(22) Filed: **May 2, 2012**

(30) **Foreign Application Priority Data**

Nov. 15, 2011 (KR) 30-2011-0048003

(51) **LOC (9) Cl.** **14-02**

(52) **U.S. Cl.** **D14/318**

(58) **Field of Classification Search** D14/315-328,
D14/341-345; D18/1, 2, 7, 11; 341/22,
341/23; 361/679.08, 679.09, 679.26, 679.27;
400/486, 489

See application file for complete search history.

(56) **References Cited**

U.S. PATENT DOCUMENTS

D332,944 S	2/1993	Kim	
D334,738 S	4/1993	Kim	
D335,870 S	5/1993	Yun	
D336,465 S	6/1993	Kim	
D338,457 S	8/1993	Kim	
D348,442 S	7/1994	Yoon	
6,067,224 A *	5/2000	Nobuchi	361/679.27
6,519,139 B2 *	2/2003	Kambayashi	361/679.09
D492,678 S	7/2004	Kim et al.	
D511,515 S *	11/2005	Huang et al.	D14/327
7,035,665 B2 *	4/2006	Kido et al.	455/566
D523,010 S	6/2006	Paek et al.	
D523,431 S	6/2006	Yoon	
D523,851 S	6/2006	Jeong et al.	
D523,852 S	6/2006	Kim et al.	
D524,306 S	7/2006	Yun et al.	
D524,307 S	7/2006	Kim et al.	
D535,652 S	1/2007	Lee et al.	

D547,309 S	7/2007	Yoon
D547,310 S	7/2007	Yoon
D556,192 S	11/2007	Jeong et al.
D567,236 S	4/2008	Yoon
D578,523 S	10/2008	Yoon
D578,524 S	10/2008	Yoon
D578,525 S	10/2008	Yoon
D580,432 S	11/2008	Yun et al.
D586,343 S	2/2009	Lee et al.
D586,796 S	2/2009	Lee et al.
D586,797 S	2/2009	Kawase et al.
D587,701 S	3/2009	Yoon

(Continued)

FOREIGN PATENT DOCUMENTS

KR 3005506890000 1/2010

(Continued)

OTHER PUBLICATIONS

U.S. Appl. No. 29/403,100, Applicant: Lee, et al., filed Sep. 30, 2011 entitled Notebook Computer.

(Continued)

Primary Examiner — Freda S Nunn

(74) *Attorney, Agent, or Firm* — Wood, Herron & Evans, LLP

(57) **CLAIM**

The ornamental design for a notebook computer, as shown and described.

DESCRIPTION

FIG. 1 is a top front perspective view of a notebook computer showing our new design;

FIG. 2 is a front elevational view thereof;

FIG. 3 is a rear elevational view thereof;

FIG. 4 is a left side elevational view thereof;

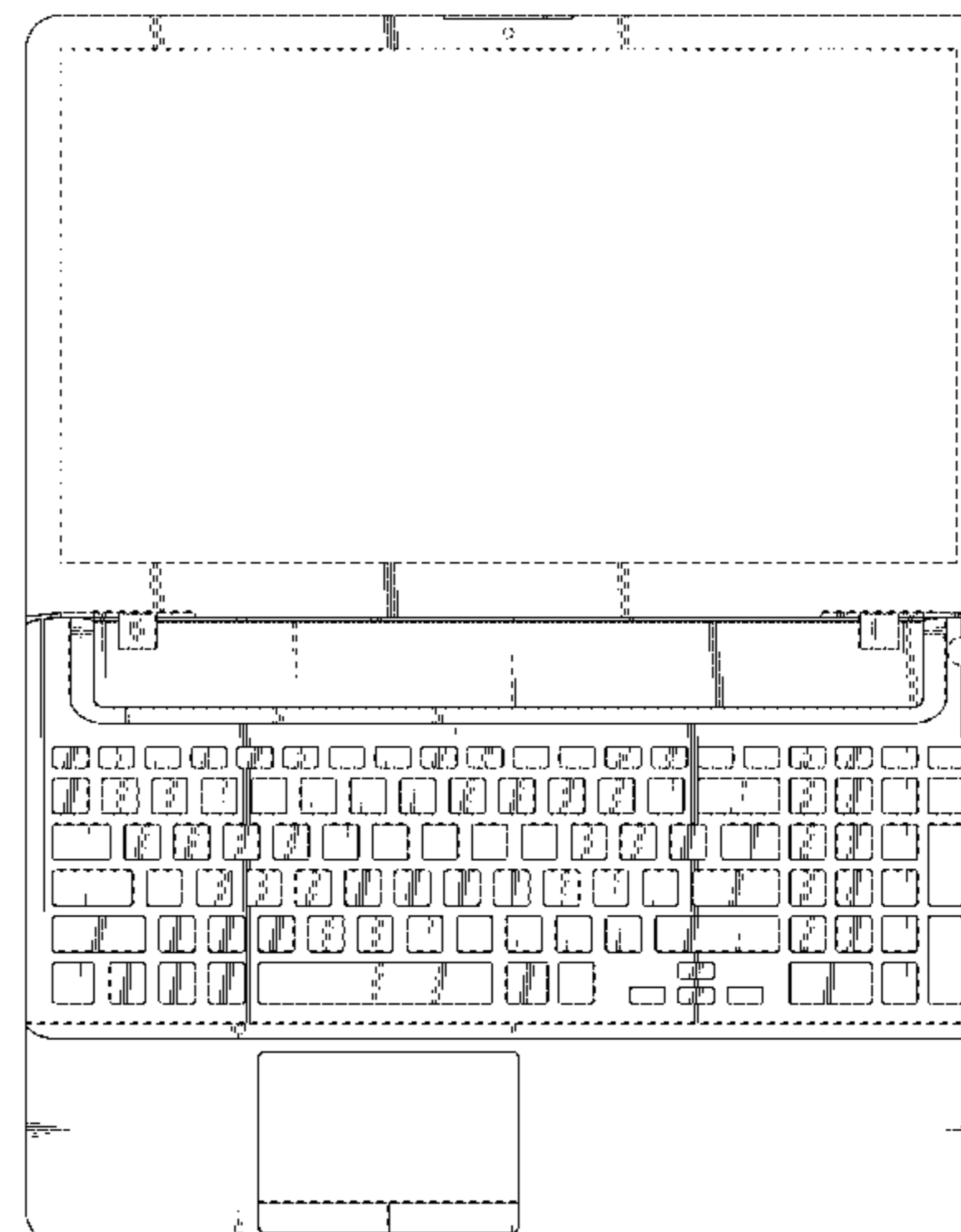
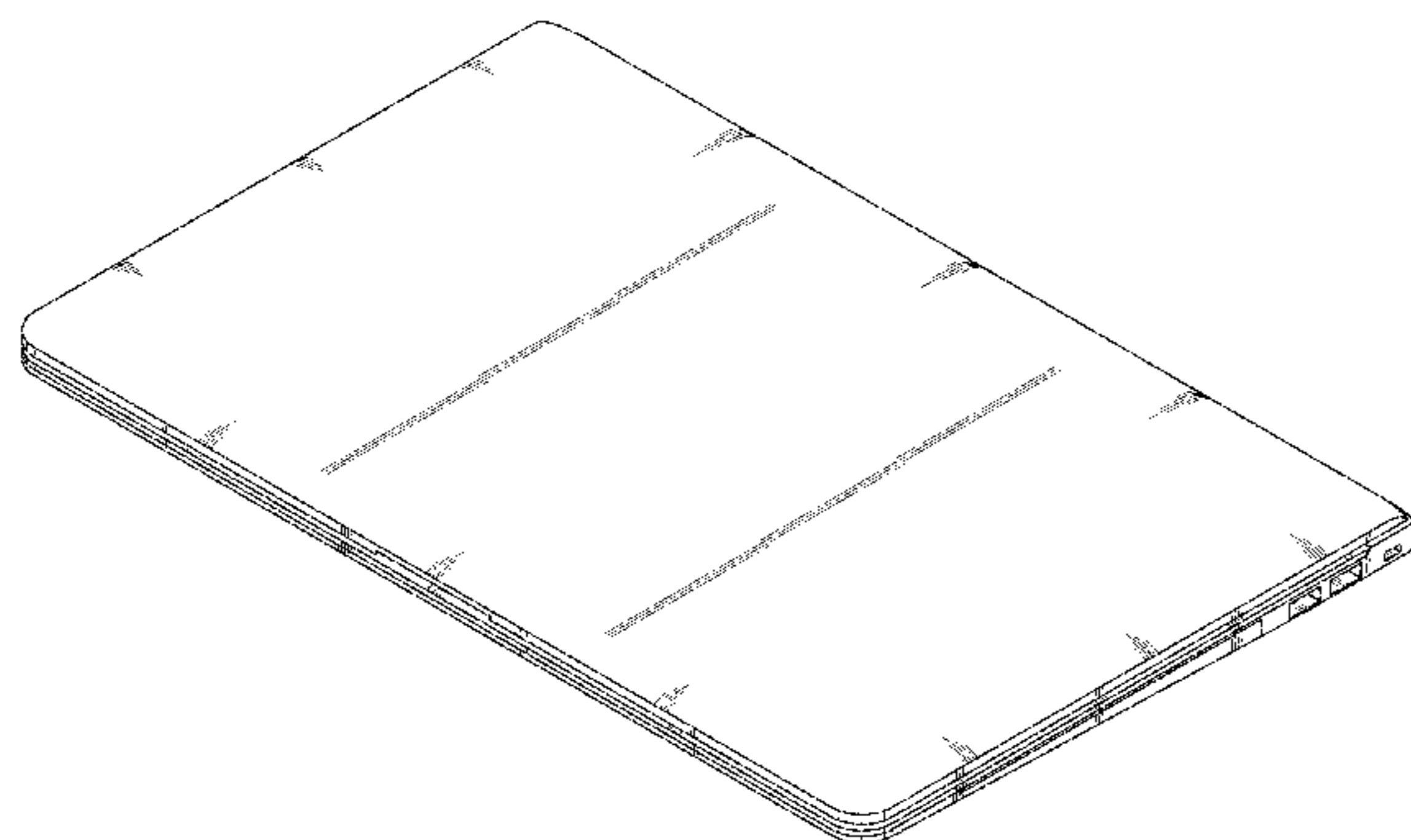
FIG. 5 is a right side elevational view thereof;

FIG. 6 is a top plan view thereof;

FIG. 7 is a bottom plan view thereof; and,

FIG. 8 is a reference view thereof.

1 Claim, 5 Drawing Sheets



US D671,539 S

Page 2

U.S. PATENT DOCUMENTS

D596,633	S	7/2009	Kawase et al.
D603,391	S	11/2009	Song et al.
D603,392	S	11/2009	Jeong et al.
D603,393	S	11/2009	Paek
D603,394	S	11/2009	Lee
D603,395	S	11/2009	Hong et al.
D603,861	S	11/2009	Hong et al.
D606,067	S	12/2009	Yoon
D606,068	S	12/2009	Hong et al.
D606,069	S	12/2009	Heck et al.
D606,070	S	12/2009	Heck et al.
D606,534	S	12/2009	Hong et al.
D608,777	S	1/2010	Yoon
D611,468	S	3/2010	Yun et al.
D614,614	S	4/2010	Yoon
D614,615	S	4/2010	Yoon
D622,268	S	8/2010	Hong et al.
D626,543	S	11/2010	Hagen
D627,341	S	11/2010	Yoon
D627,773	S	11/2010	Paek
D628,195	S	11/2010	Yoon
D631,040	S	1/2011	Yoon et al.
D631,471	S	1/2011	Jensen et al.
D631,472	S	1/2011	Kawase et al.
D631,473	S	1/2011	Lee et al.
D631,878	S	2/2011	Jensen et al.
D631,879	S	2/2011	Kawase
D633,487	S	3/2011	Kim et al.
D633,488	S	3/2011	Kim et al.
D633,489	S	3/2011	Kim et al.
D633,490	S	3/2011	Kim et al.
2005/0018396	A1	1/2005	Nakajima et al.
2005/0041378	A1	2/2005	Hamada et al.
2009/0231292	A1	9/2009	Hsieh et al.

FOREIGN PATENT DOCUMENTS

KR	3005544080000	3/2010
KR	3005639120000	6/2010
KR	3005639130000	6/2010
KR	3005680110000	7/2010
KR	3005804720000	11/2010
KR	3005869900000	1/2011
KR	3005942330000	4/2011
KR	3005958550000	4/2011
KR	3006013110001	6/2011
KR	3006013130000	6/2011
KR	3006013160000	6/2011
KR	3006013170000	6/2011
KR	3006052790000	7/2011
KR	3006052810000	7/2011
KR	3006052820000	7/2011
KR	3006052830000	7/2011
KR	3006059710000	7/2011
KR	3006063210000	7/2011
KR	3006064090000	7/2011
KR	3006083610000	8/2011
KR	3006083630000	8/2011
KR	3006083640000	8/2011

KR	3006083650000	8/2011
KR	3006083710000	8/2011
KR	3006083730000	8/2011
KR	3006085180000	8/2011

OTHER PUBLICATIONS

U.S. Appl. No. 29/403,114, Applicant: Fukusawa, et al., filed Sep. 30, 2011 entitled Notebook Computer.

U.S. Appl. No. 29/403,103, Applicant: Lee, et al., filed Sep. 30, 2011 entitled Notebook Computer.

U.S. Appl. No. 29/403,119, Applicant: Lee, et al., filed Sep. 30, 2011 entitled Notebook Computer.

U.S. Appl. No. 20/403,094, Applicant: Se-O Lee., filed Sep. 30, 2011 entitled Notebook Computer.

U.S. Appl. No. 29/405,517, Applicant: Kim, et al., filed Nov. 3, 2011 entitled Notebook Computer.

U.S. Appl. No. 29/419,063, Applicant: Kim, et al., filed May 2, 2012, entitled Notebook Computer.

U.S. Appl. No. 29/419,062, Applicant: Kim, et al., filed May 2, 2012 entitled Notebook Computer.

U.S. Appl. No. 29/419,897, Applicant: Kim, et al., filed May 2, 2012 entitled Notebook Computer.

U.S. Appl. No. 29/425,225, Applicant: Jung, et al., filed Jun. 20, 2012 entitled Portable Computer.

U.S. Appl. No. 20/419,914, Applicant: Park, et al., filed May 2, 2012 entitled Notebook Computer.

U.S. Appl. No. 29/419,915, Applicant: Kim, et al., filed May 2, 2012 entitled Notebook Computer.

U.S. Appl. No. 29/422,581, Applicant: Park, et al., filed May 22, 2012 entitled Notebook Computer.

U.S. Appl. No. 29/424,594, Applicant: Park, et al., filed Jun. 12, 2012 entitled Notebook Computer.

U.S. Appl. No. 29/422,779, Applicant: Tae-Yun Kim, filed May 23, 2012 entitled Notebook Computer.

U.S. Appl. No. 29/423,726, Applicant: Lee, et al., filed Jun. 4, 2012 entitled Notebook Computer.

U.S. Appl. No. 29/423,727, Applicant: Lee, et al., filed Jun. 4, 2012 entitled Notebook Computer.

U.S. Appl. No. 29/424,453, Applicant: Lee, et al., filed Jun. 12, 2012 entitled Notebook Computer.

U.S. Appl. No. 29/424,462, Applicant: Sang-Eun Lee, filed Jun. 12, 2012 entitled Netbook Computer.

U.S. Appl. No. 29/424,073, Applicant: Lee, et al., filed Jun. 7, 2012 entitled Notebook Computer.

U.S. Appl. No. 29/425,446, Applicant: Kim, et al., filed Jun. 22, 2012 entitled Portable Computer.

U.S. Appl. No. 29/425,732, Applicant: Park, et al., filed Jun. 26, 2012 entitled Portable Computer.

U.S. Appl. No. 29/397,041, Applicant: Ryu et al., filed Jul. 11, 2011 entitled Netbook Computer.

U.S. Appl. No. 29/425,836, Applicant: Park, et al., filed Jun. 27, 2012 entitled Portable Computer.

U.S. Appl. No. 29/425,828, Applicant: Kim, et al., filed Jun. 27, 2012 entitled Portable Computer.

* cited by examiner

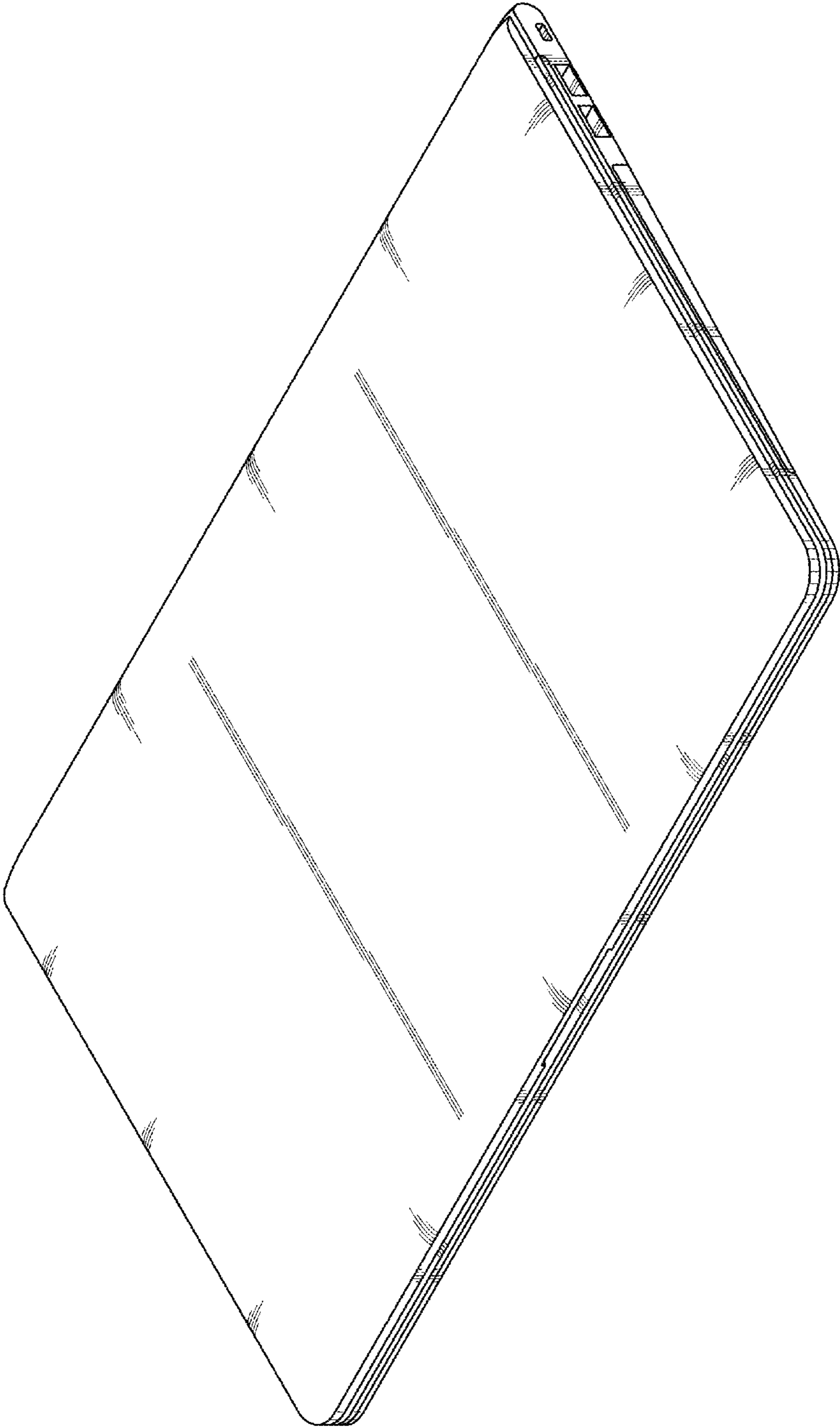


FIG.1

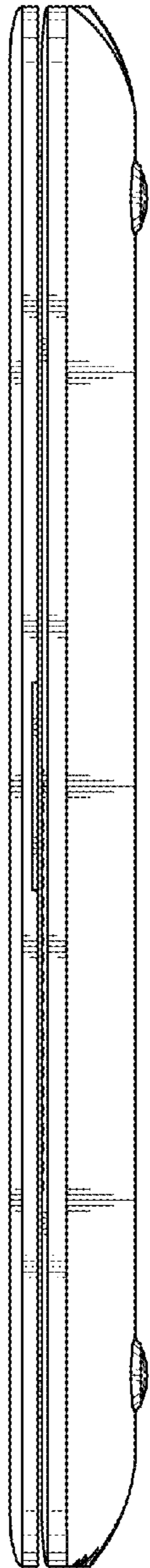


FIG. 2

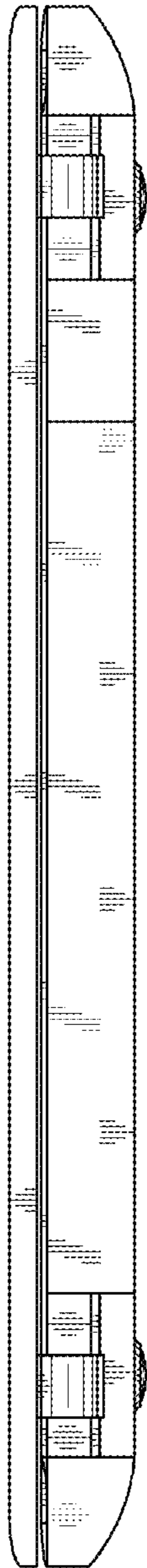


FIG. 3

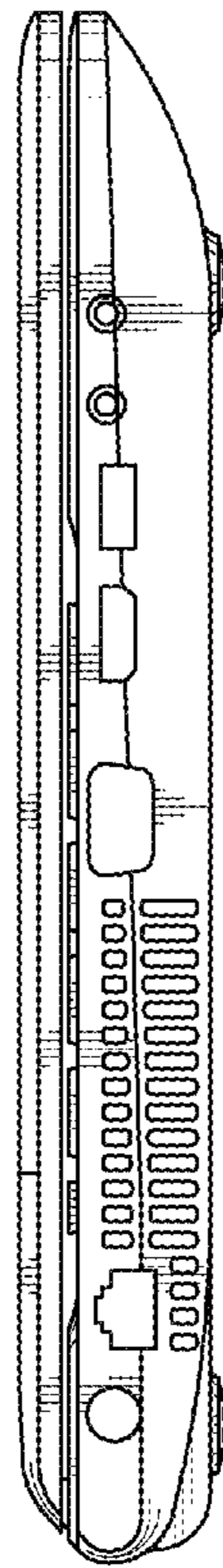


FIG. 4

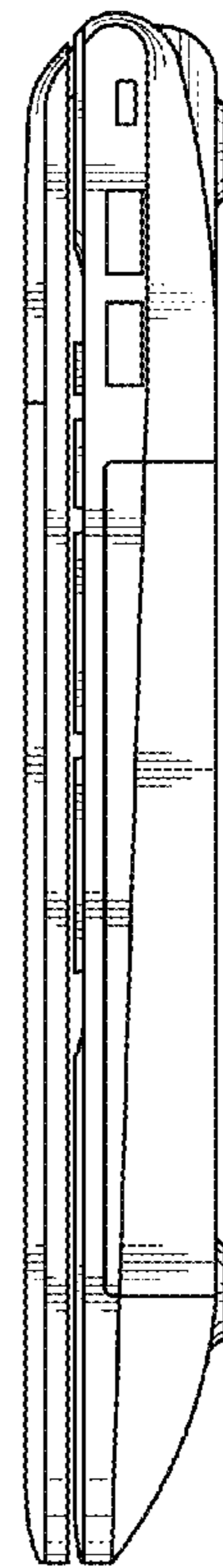


FIG. 5

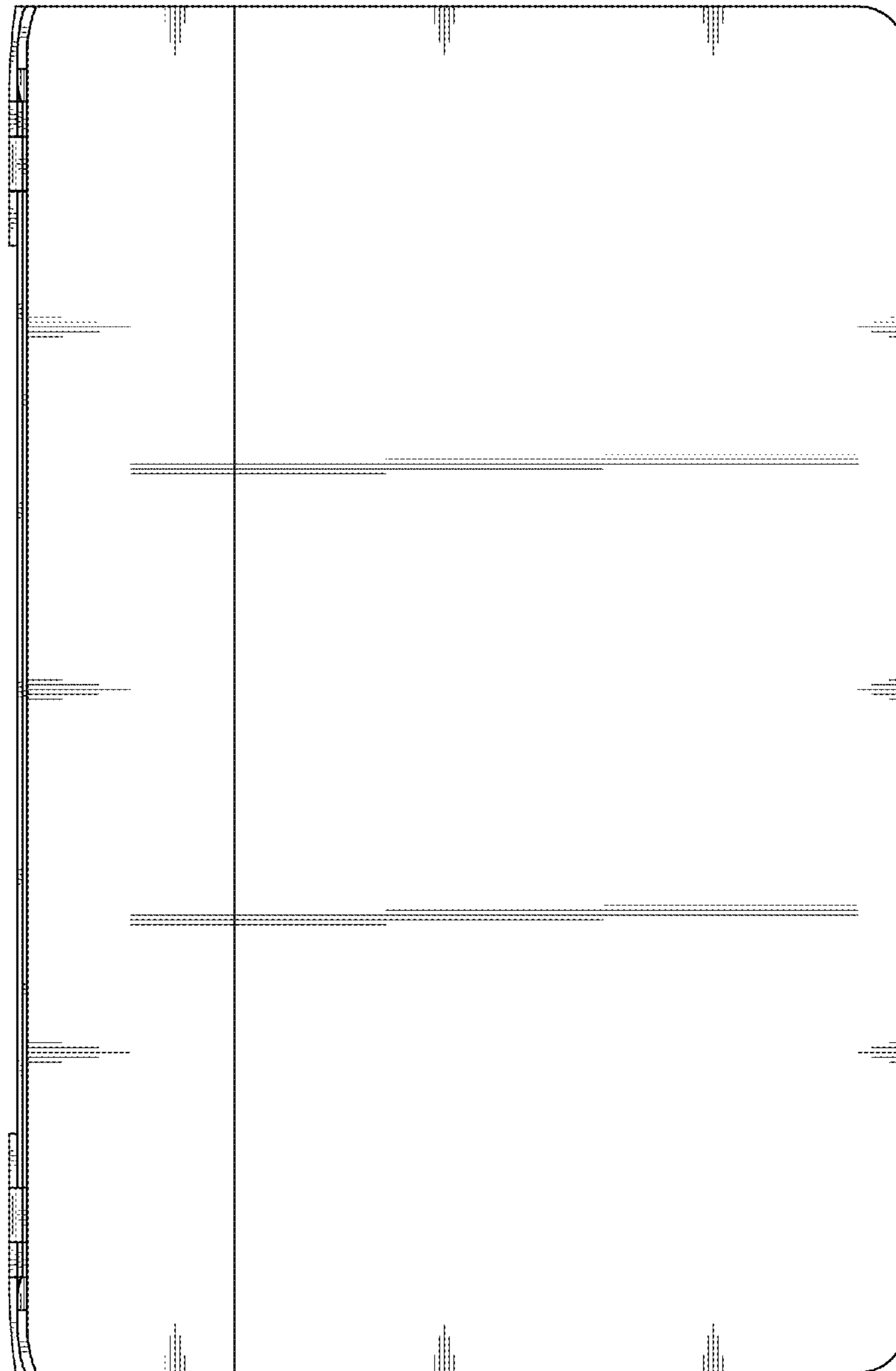


FIG.6

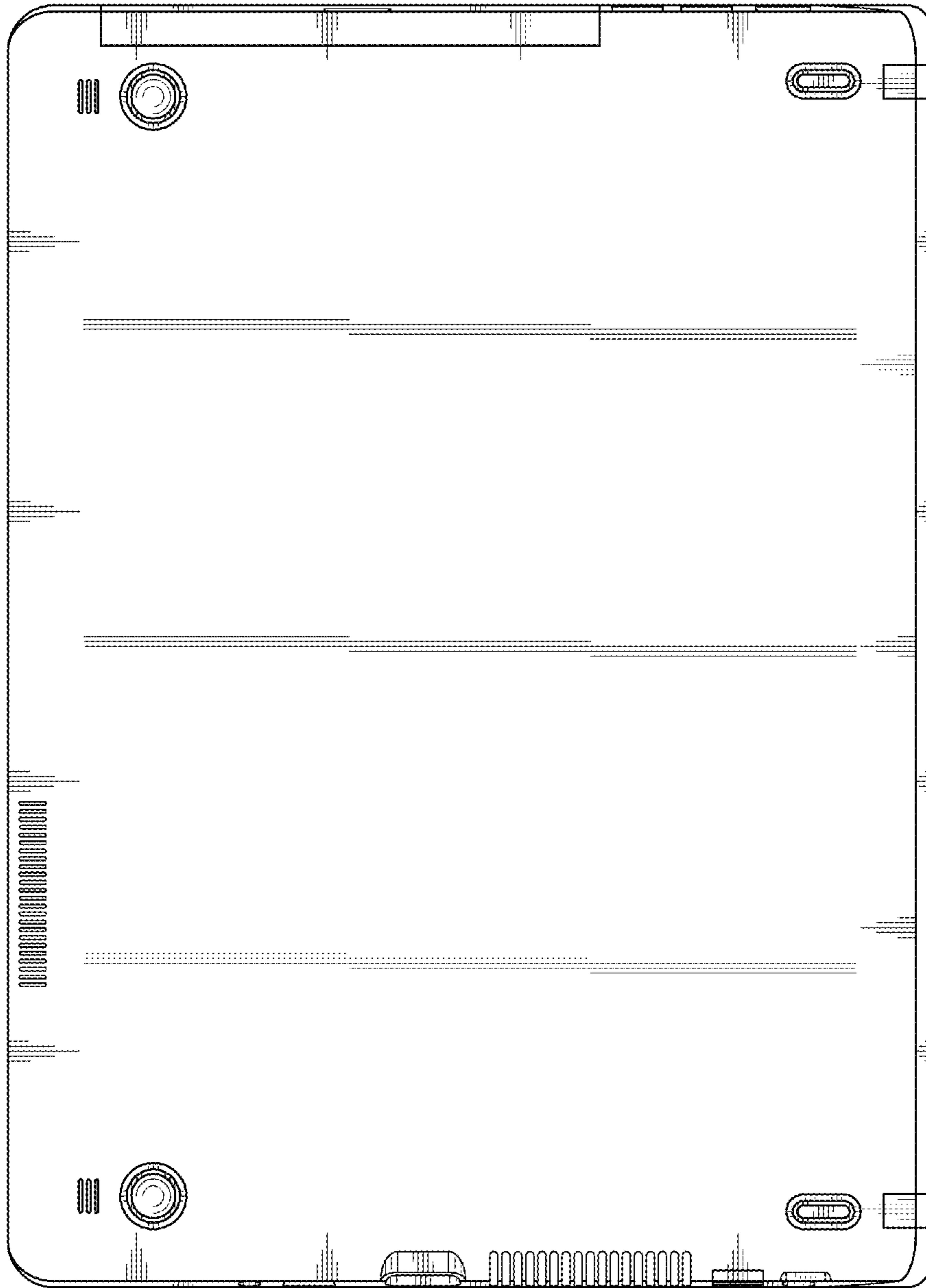


FIG.7

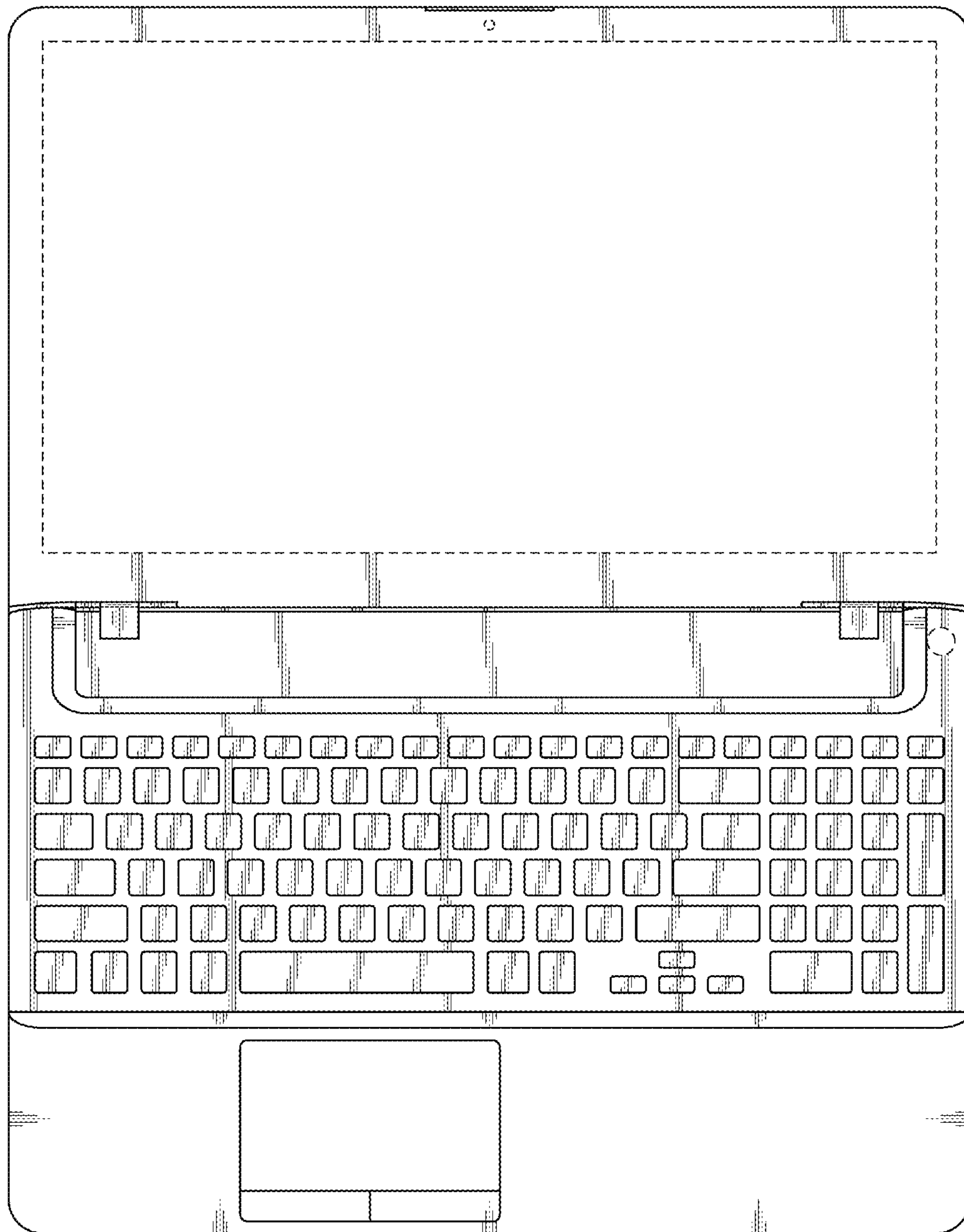


FIG.8