



US00D671536S

(12) **United States Design Patent**  
**Fukusawa et al.**

(10) **Patent No.:** **US D671,536 S**  
(45) **Date of Patent:** **\*\* \*Nov. 27, 2012**

(54) **NOTEBOOK COMPUTER**  
(75) Inventors: **Naoto Fukusawa**, Tokyo (JP);  
**Jae-Seung Song**, Seoul (KR)  
(73) Assignee: **Samsung Electronics Co., Ltd.**, Suwon  
(KR)  
(\* ) Notice: This patent is subject to a terminal dis-  
claimer.  
(\*\*) Term: **14 Years**

D523,851 S 6/2006 Jeong et al.  
D523,852 S 6/2006 Kim et al.  
D524,306 S 7/2006 Yun et al.  
D524,307 S 7/2006 Kim et al.  
D535,652 S 1/2007 Lee et al.  
D547,309 S 7/2007 Yoon  
D547,310 S 7/2007 Yoon  
D556,192 S 11/2007 Jeong et al.  
D567,236 S 4/2008 Yoon  
D578,523 S 10/2008 Yoon  
D578,524 S 10/2008 Yoon  
D578,525 S 10/2008 Yoon

(Continued)

(21) Appl. No.: **29/403,114**  
(22) Filed: **Sep. 30, 2011**

FOREIGN PATENT DOCUMENTS  
KR 3005506890000 1/2010  
(Continued)

(30) **Foreign Application Priority Data**  
Jun. 23, 2011 (KR) ..... 30-2011-0025834  
(51) **LOC (9) Cl.** ..... **14-02**  
(52) **U.S. Cl.** ..... **D14/315**  
(58) **Field of Classification Search** ..... D14/315-327;  
D18/1, 2, 7, 11; 235/145 A, 145 R; 341/22,  
341/23; 345/104, 156, 168, 169, 173; 361/679.08,  
361/679.09, 679.11, 679.26, 679.27  
See application file for complete search history.

**OTHER PUBLICATIONS**

U.S. Appl. No. 29/370,831, Applicant: Seung-Ho Jung, et al., filed  
Sep. 10, 2010 entitled Notebook Computer.

(Continued)

(56) **References Cited**

**U.S. PATENT DOCUMENTS**

D332,944 S 2/1993 Kim  
D334,738 S 4/1993 Kim  
D335,870 S 5/1993 Yun  
D336,465 S 6/1993 Kim  
D338,457 S 8/1993 Kim  
D348,442 S 7/1994 Yoon  
6,067,224 A \* 5/2000 Nobuchi ..... 361/679.27  
6,519,139 B2 \* 2/2003 Kambayashi ..... 361/679.09  
D492,678 S 7/2004 Kim et al.  
6,775,129 B1 \* 8/2004 Ghosh et al. .... 361/679.27  
6,781,819 B2 \* 8/2004 Yang et al. .... 361/679.09  
6,785,128 B1 \* 8/2004 Yun ..... 361/679.27  
D523,010 S 6/2006 Paek et al.  
D523,431 S 6/2006 Yoon

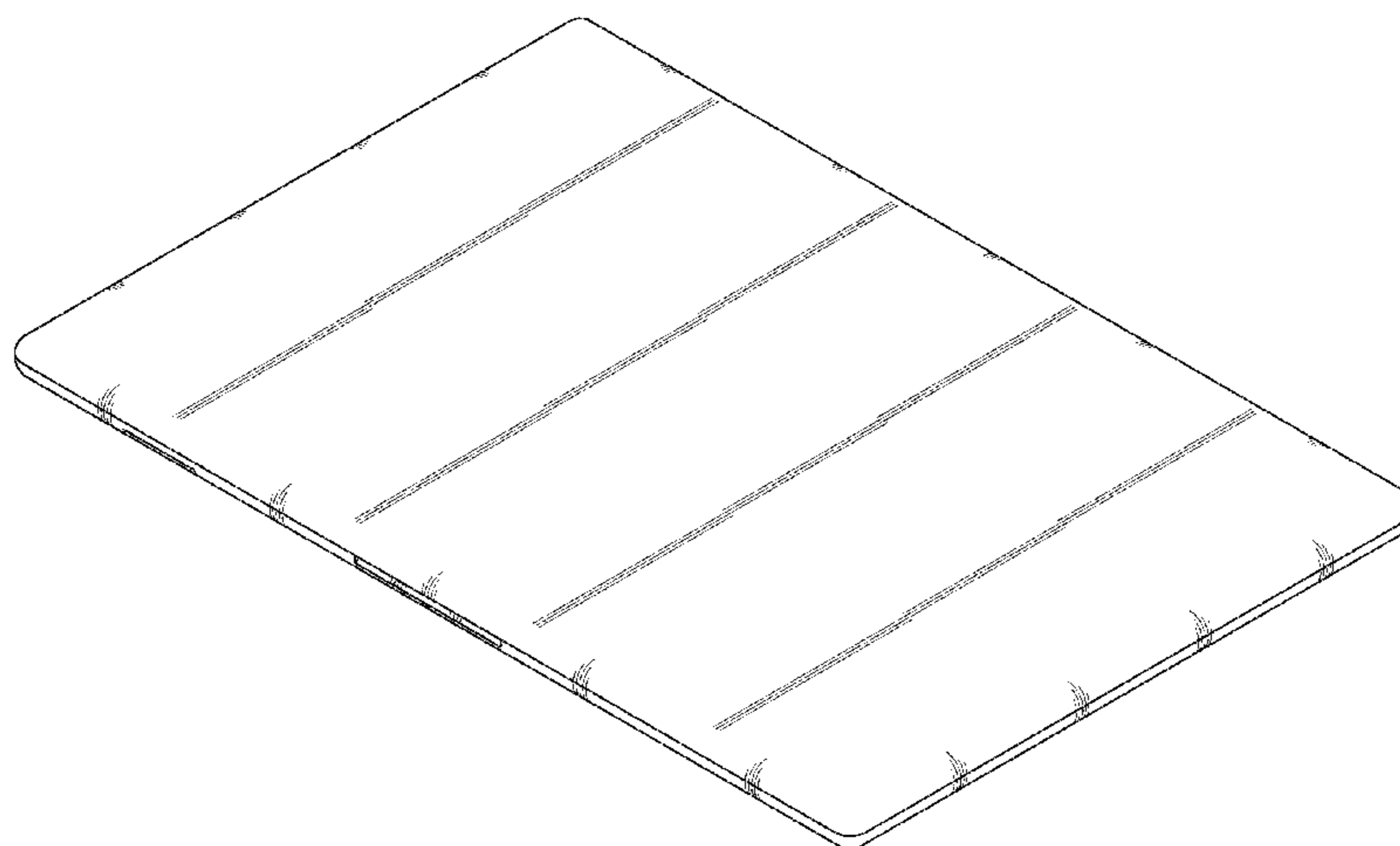
*Primary Examiner* — Freda S Nunn  
(74) *Attorney, Agent, or Firm* — Wood, Herron & Evans,  
LLP

(57) **CLAIM**  
The ornamental design for a notebook computer, as shown  
and described.

**DESCRIPTION**

FIG. 1 is a top front perspective view of a notebook computer  
showing our new design;  
FIG. 2 is a front elevational view thereof;  
FIG. 3 is a rear elevational view thereof;  
FIG. 4 is a left side elevational view thereof;  
FIG. 5 is a right side elevational view thereof;  
FIG. 6 is a top plan view thereof; and,  
FIG. 7 is a bottom plan view thereof.

**1 Claim, 4 Drawing Sheets**



U.S. PATENT DOCUMENTS

D580,432	S	11/2008	Yun et al.	
D586,343	S	2/2009	Lee et al.	
D586,796	S	2/2009	Lee et al.	
D586,797	S	2/2009	Kawase et al.	
D587,701	S	3/2009	Yoon	
D596,633	S	7/2009	Kawase et al.	
D603,391	S	11/2009	Song et al.	
D603,392	S	11/2009	Jeong et al.	
D603,393	S	11/2009	Paek	
D603,394	S	11/2009	Lee	
D603,395	S	11/2009	Hong et al.	
D603,861	S	11/2009	Hong et al.	
D606,067	S	12/2009	Yoon	
D606,068	S	12/2009	Hong et al.	
D606,069	S	12/2009	Heck et al.	
D606,070	S	12/2009	Heck et al.	
D606,534	S	12/2009	Hong et al.	
D608,777	S	1/2010	Yoon	
D611,468	S	3/2010	Yun et al.	
D614,614	S	4/2010	Yoon	
D614,615	S	4/2010	Yoon	
D622,268	S	8/2010	Hong et al.	
D626,543	S	11/2010	Hagen	
D627,341	S	11/2010	Yoon	
D627,773	S	11/2010	Paek	
D628,195	S	11/2010	Yoon	
D631,040	S	1/2011	Yoon et al.	
D631,471	S	1/2011	Jensen et al.	
D631,472	S	1/2011	Kawase et al.	
D631,473	S	1/2011	Lee et al.	
D631,878	S	2/2011	Jensen et al.	
D631,879	S	2/2011	Kawase	
D633,487	S	3/2011	Kim et al.	
D633,488	S	3/2011	Kim et al.	
D633,489	S	3/2011	Kim et al.	
D633,490	S	3/2011	Kim et al.	
7,916,889	B2 *	3/2011	Takakusaki .....	381/388
2005/0041378	A1 *	2/2005	Hamada et al. ....	361/680

FOREIGN PATENT DOCUMENTS

KR	3005544080000	3/2010
KR	3005639120000	6/2010
KR	3005639130000	6/2010
KR	3005942330000	4/2011
KR	3005958550000	4/2011
KR	3006013110001	6/2011
KR	3006013130000	6/2011
KR	3006013160000	6/2011
KR	3006013170000	6/2011
KR	3006052790000	7/2011
KR	3006052810000	7/2011
KR	3006052820000	7/2011
KR	3006052830000	7/2011
KR	3006063210000	7/2011
KR	3006064090000	7/2011
KR	3006083610000	8/2011
KR	3006083630000	8/2011
KR	3006083710000	8/2011
KR	3006085180000	8/2011

OTHER PUBLICATIONS

U.S. Appl. No. 29/349,008, Applicant: Se-O Lee, et al., filed Mar. 2, 2010 entitled Net Book.  
 U.S. Appl. No. 29/349,010, Applicant: Seung-Hyun Paek, et al., filed Mar. 2, 2010 entitled Net Book.

U.S. Appl. No. 29/349,022, Applicant: Sang-Won Yoon, et al., filed Mar. 2, 2010 entitled Net Book.  
 U.S. Appl. No. 29/349,397, Applicant: Atsushi Kawase, filed Mar. 31, 2010 entitled Net Book.  
 U.S. Appl. No. 29/349,402, Applicant: Atsushi Kawase, filed Mar. 31, 2010 entitled Note Book.  
 U.S. Appl. No. 29/349,403, Applicant: Atsushi Kawase, filed Mar. 31, 2010 entitled Net Book.  
 U.S. Appl. No. 29/370,568, Applicant: Felix Heck, et al., filed Aug. 5, 2010 entitled Netbook Computer.  
 U.S. Appl. No. 29/370,567, Applicant: Sang-Won Yoon, et al., filed Aug. 5, 2010 entitled Notebook Computer.  
 U.S. Appl. No. 29/372,114, Applicant: Ji-Hyun Moon, et al., filed Oct. 15, 2010 entitled Notebook Computer.  
 U.S. Appl. No. 29/370,053, Applicant: Chung-Ha Kim, et al., filed Feb. 23, 2011 entitled Notebook Computer.  
 U.S. Appl. No. 29/390,400, Applicant: Lee, et al., filed Apr. 25, 2011 entitled Notebook Computer.  
 U.S. Appl. No. 29/390,401, Applicant: Lee, et al., filed Apr. 25, 2011 entitled Notebook Computer.  
 U.S. Appl. No. 29/390,415, Applicant: Kim, et al., filed Apr. 25, 2011 entitled Notebook Computer.  
 U.S. Appl. No. 29/390,437, Applicant: Kim, et al., filed Apr. 25, 2011 entitled Notebook Computer.  
 U.S. Appl. No. 29/390,418, Applicant: Kim, et al., filed Apr. 25, 2011 entitled Notebook Computer.  
 U.S. Appl. No. 29/390,440, Applicant: Kim, et al., filed Apr. 25, 2011 entitled Cradle for Notebook Computer.  
 U.S. Appl. No. 29/390,448, Applicant: Lee, et al., filed Apr. 25, 2011 entitled Battery for Notebook Computer.  
 U.S. Appl. No. 29/390,450, Applicant: Lee, et al., filed Apr. 25, 2011 entitled Netbook Computer.  
 U.S. Appl. No. 29/390,455, Applicant: Kim, et al., filed Apr. 25, 2011 entitled Netbook Computer.  
 U.S. Appl. No. 29/390,460, Applicant: Park, et al., filed Apr. 25, 2011 entitled Notebook Computer.  
 U.S. Appl. No. 29/390,465, Applicant: Lee, et al., filed Apr. 25, 2011 entitled Notebook Computer.  
 U.S. Appl. No. 29/393,979, Applicant: Park, et al., filed Jun. 10, 2011 entitled Notebook Computer.  
 U.S. Appl. No. 29/393,980, Applicant: Park, et al., filed Jun. 10, 2011 entitled Notebook Computer.  
 U.S. Appl. No. 29/393,983, Applicant: Park, et al., filed Jun. 10, 2011 entitled Notebook Computer.  
 U.S. Appl. No. 29/396,993, Applicant: Kim, et al., filed Jul. 11, 2011 entitled Notebook Computer.  
 U.S. Appl. No. 29/397,032, Applicant: Kim, et al., filed Jul. 11, 2011 entitled Notebook Computer.  
 U.S. Appl. No. 29/397,034, Applicant: Kim, et al., filed Jul. 11, 2011 entitled Notebook Computer.  
 U.S. Appl. No. 29/397,041, Applicant: Ryu et al., filed Jul. 11, 2011 entitled Netbook Computer.  
 U.S. Appl. No. 29/397,064, Applicant: Naoto Fukusawa, et al., filed Jul. 11, 2011 entitled Notebook Computer.  
 U.S. Appl. No. 29/403,094, Applicant: Se-O Lee, et al., filed Sep. 30, 2011 entitled Notebook Computer.  
 U.S. Appl. No. 29/403,103, Applicant: Son-Young Lee, et al., filed Sep. 30, 2011 entitled Notebook Computer.  
 U.S. Appl. No. 29/403,119, Applicant: Son-Young Lee, et al., filed Sep. 30, 2011 entitled Notebook Computer.  
 U.S. Appl. No. 29/403,100, Applicant: Son-Young Lee, et al., filed Sep. 30, 2011 entitled Notebook Computer.

\* cited by examiner



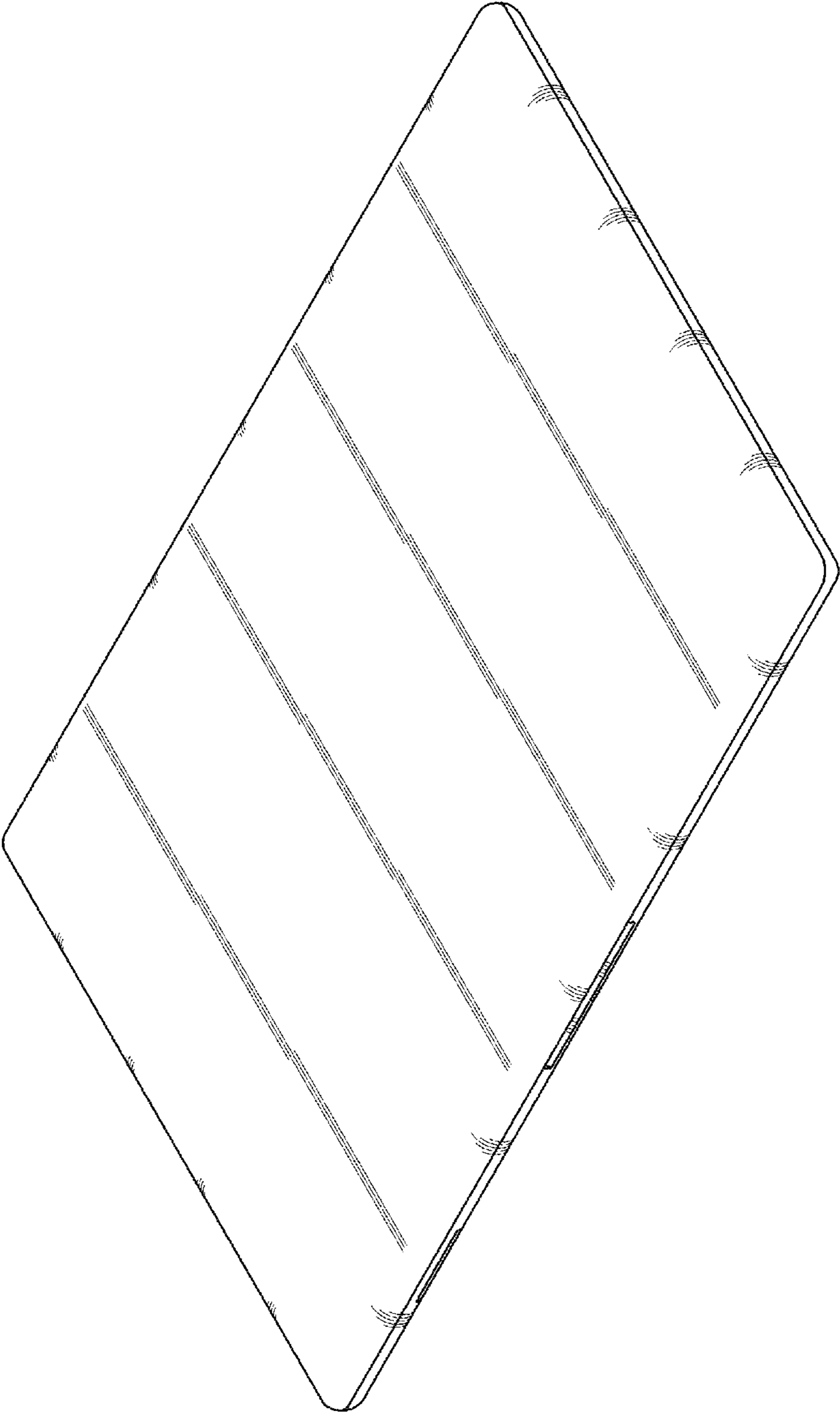


FIG.1

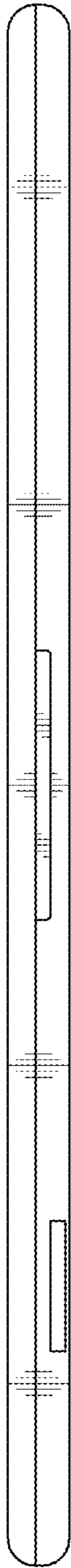


FIG. 2

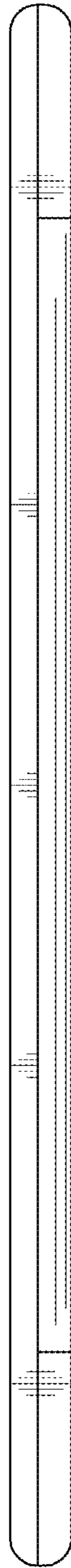


FIG. 3

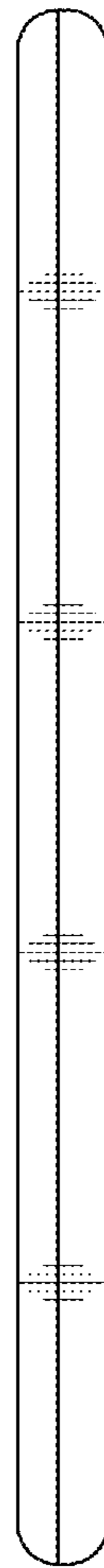


FIG. 4

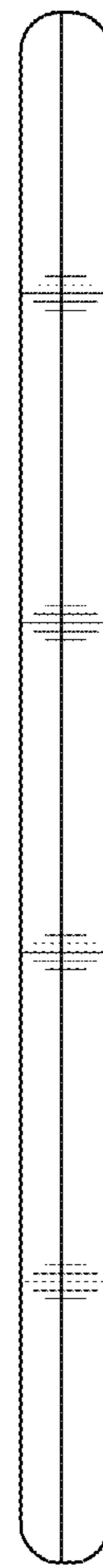


FIG. 5

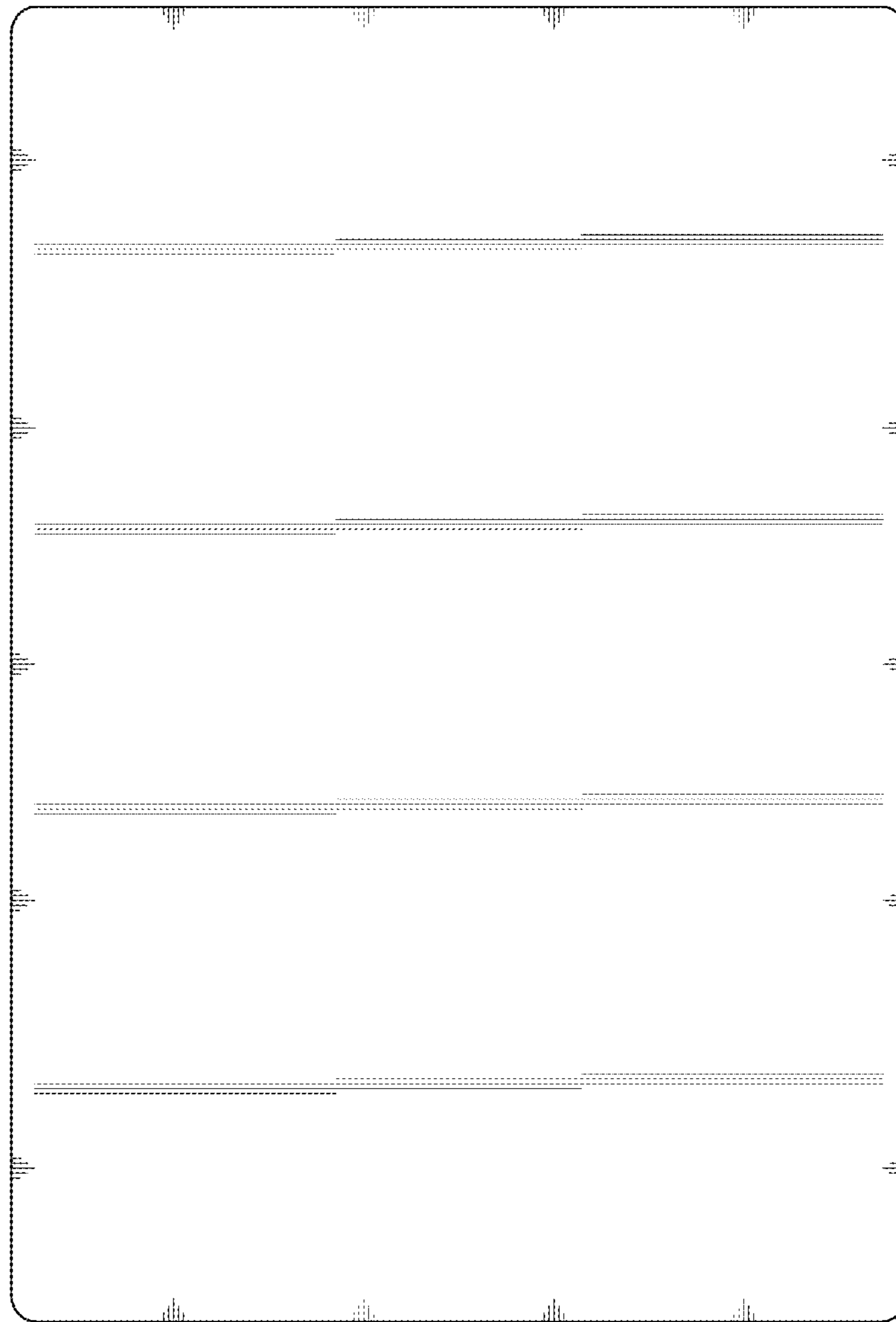


FIG.6

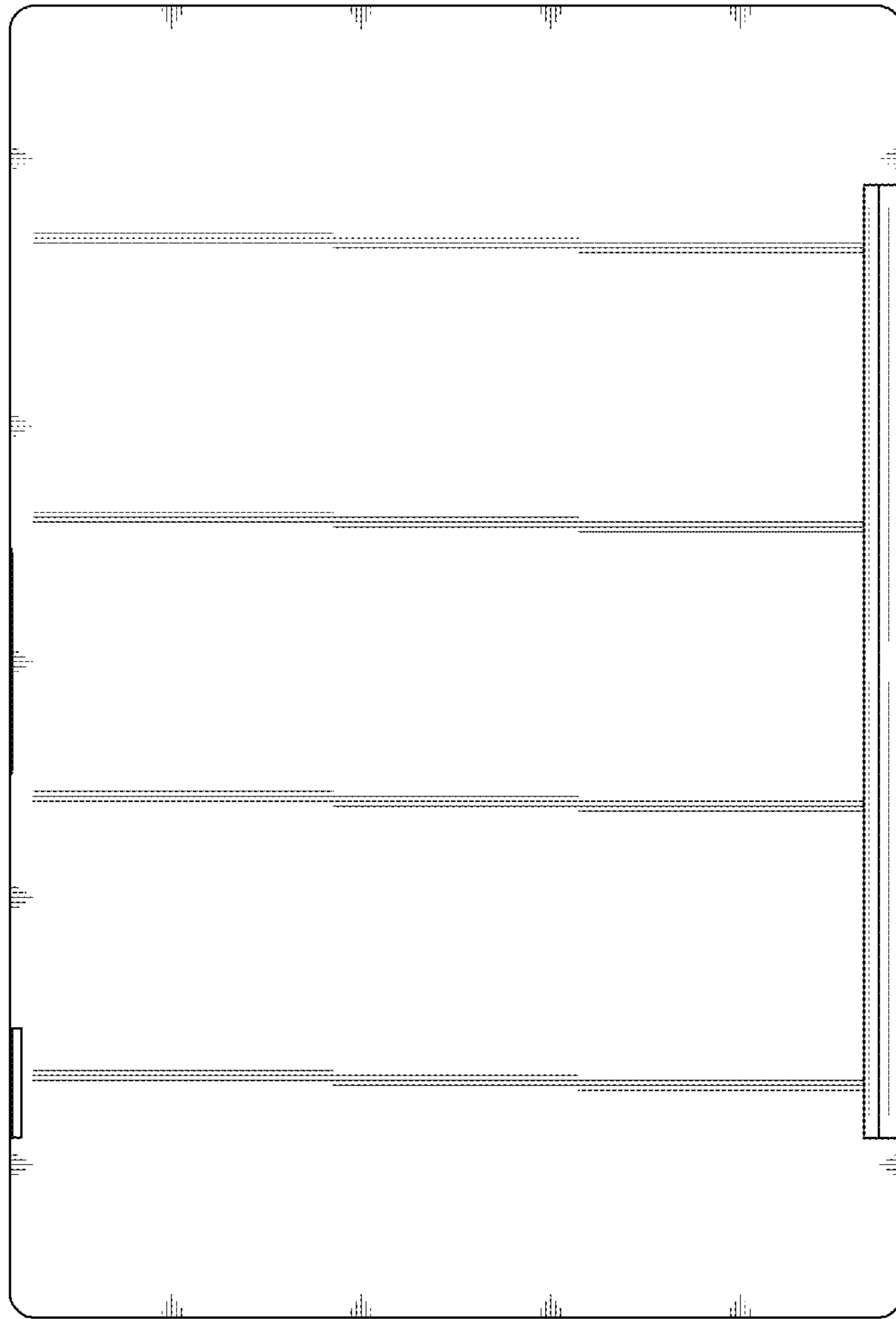


FIG.7