



US00D671534S

(12) **United States Design Patent**
Huang

(10) **Patent No.:** **US D671,534 S**

(45) **Date of Patent:** **** Nov. 27, 2012**

(54) **MODEM**

(75) Inventor: **Chih-Hua Huang**, New Taipei (TW)

(73) Assignees: **Askey Technology (Jiangsu) Ltd.** (CN);
Askey Computer Corp. (TW)

(**) Term: **14 Years**

(21) Appl. No.: **29/407,800**

(22) Filed: **Dec. 2, 2011**

(30) **Foreign Application Priority Data**

Nov. 25, 2011 (TW) 100306435

(51) **LOC (9) Cl.** **14-03**

(52) **U.S. Cl.** **D14/242; D14/358**

(58) **Field of Classification Search** D14/240,
D14/242, 357, 358, 140-140.9, 155, 137,
D14/139, 243, 348, 349, 351, 354, 355; 375/222;
455/557; 725/111

See application file for complete search history.

(56) **References Cited**

U.S. PATENT DOCUMENTS

D396,856 S *	8/1998	Oba	D14/125
D420,349 S *	2/2000	Storti et al.	D14/125
D420,362 S *	2/2000	Pedraza et al.	D14/242
D471,183 S *	3/2003	Wang et al.	D14/242
D472,235 S *	3/2003	Chen	D14/240

D480,390 S *	10/2003	Miao et al.	D14/240
D480,715 S *	10/2003	Pietola	D14/240
D494,156 S *	8/2004	Chen et al.	D14/240
D520,500 S *	5/2006	Storti et al.	D14/240
D583,367 S *	12/2008	Chen	D14/240
D619,571 S *	7/2010	Lee	D14/242
2003/0081377 A1 *	5/2003	Lin	361/683
2007/0018067 A1 *	1/2007	Huang	248/346.03

* cited by examiner

Primary Examiner — Bridget L Eland

(74) *Attorney, Agent, or Firm* — Schmeiser, Olsen & Watts, LLP

(57) **CLAIM**

The ornamental design for a modem, as shown and described.

DESCRIPTION

FIG. 1 is a perspective view of a modem showing my new design;

FIG. 2 is a front elevational view thereof;

FIG. 3 is a rear elevational view thereof;

FIG. 4 is a left side elevational view thereof;

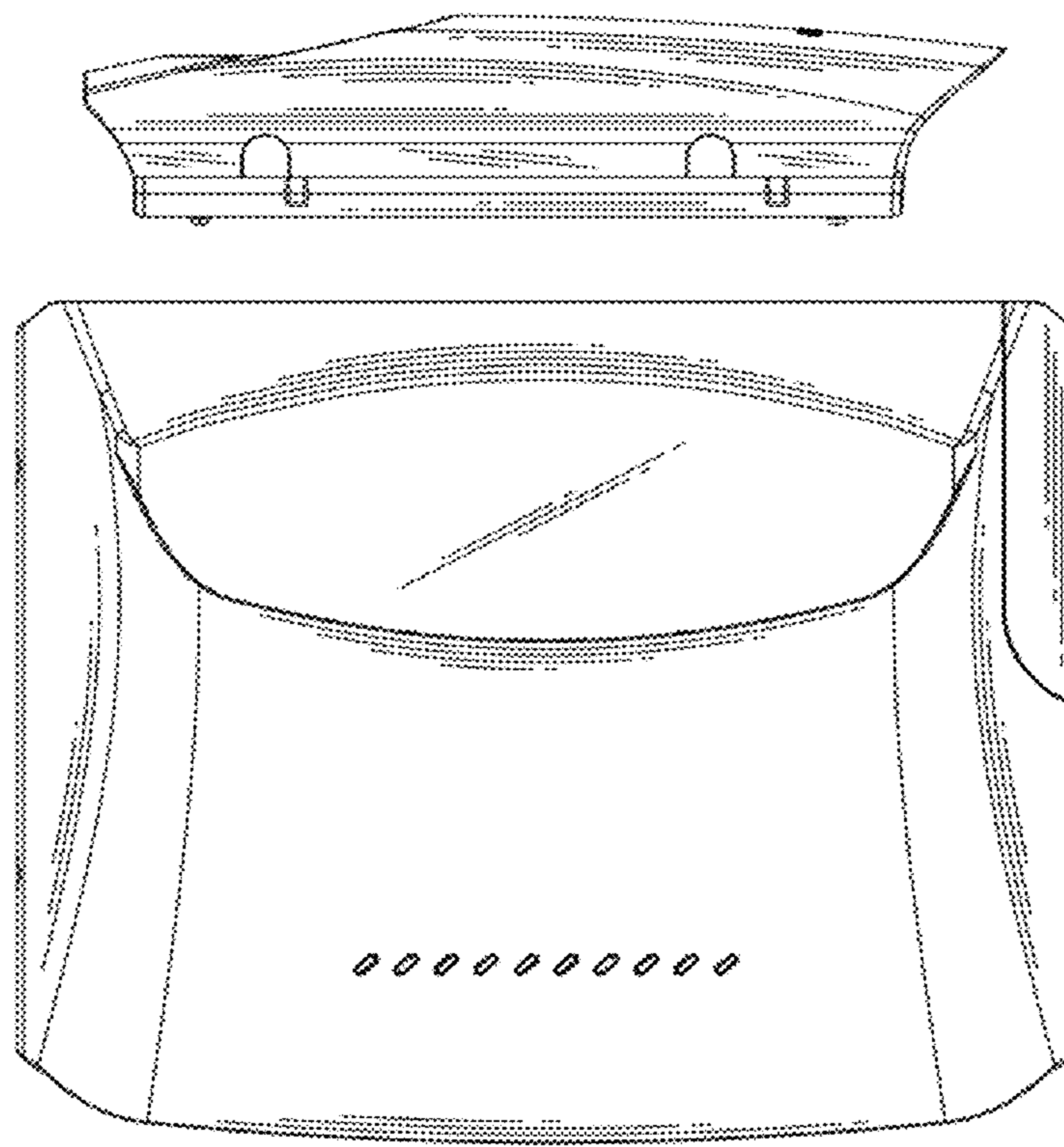
FIG. 5 is a right side elevational view thereof;

FIG. 6 is a top plan view thereof; and,

FIG. 7 is a bottom plan view thereof.

The broken lines immediately adjacent to the claimed areas that define unshaded regions represent unclaimed boundaries while all other broken lines are directed to environment and are for illustrative purposes only; the broken lines form no part of the claimed design.

1 Claim, 5 Drawing Sheets



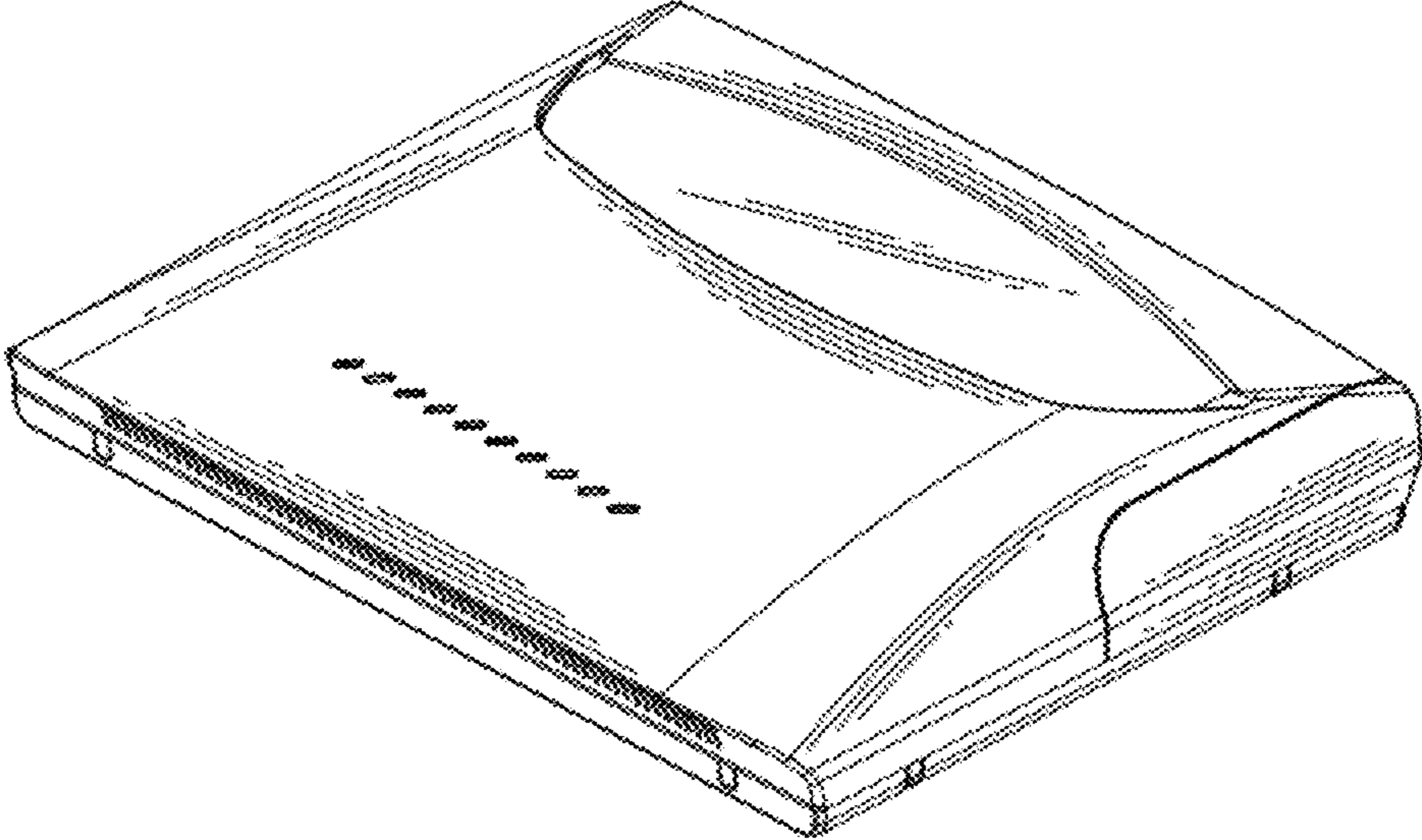


FIG. 1

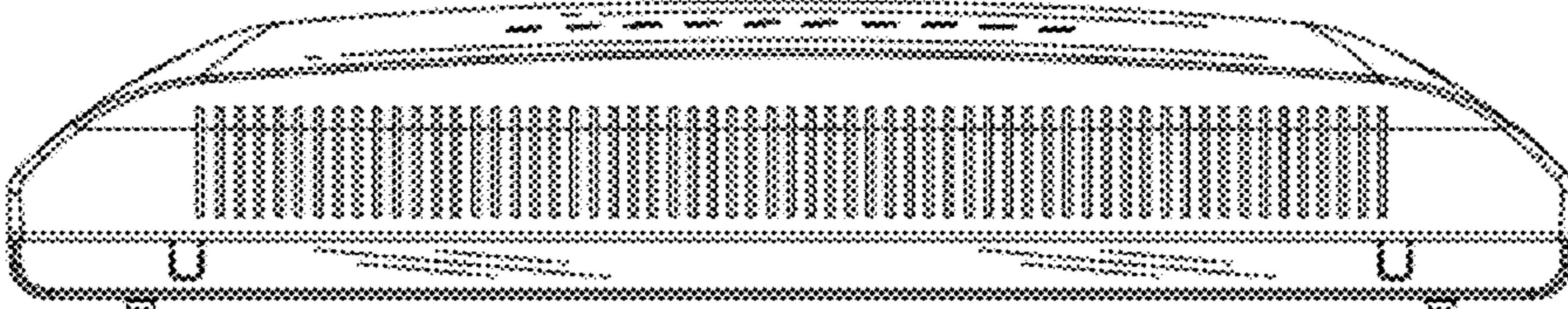


FIG. 2

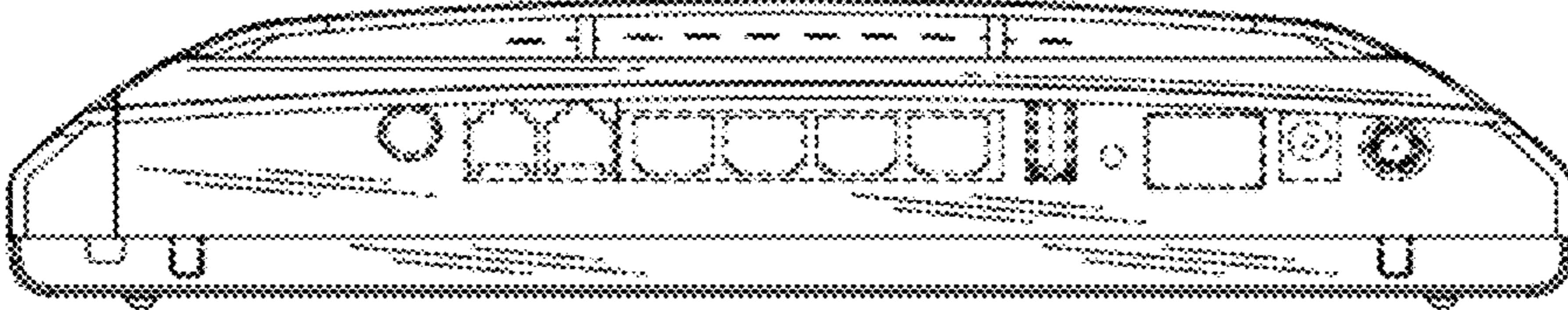


FIG. 3

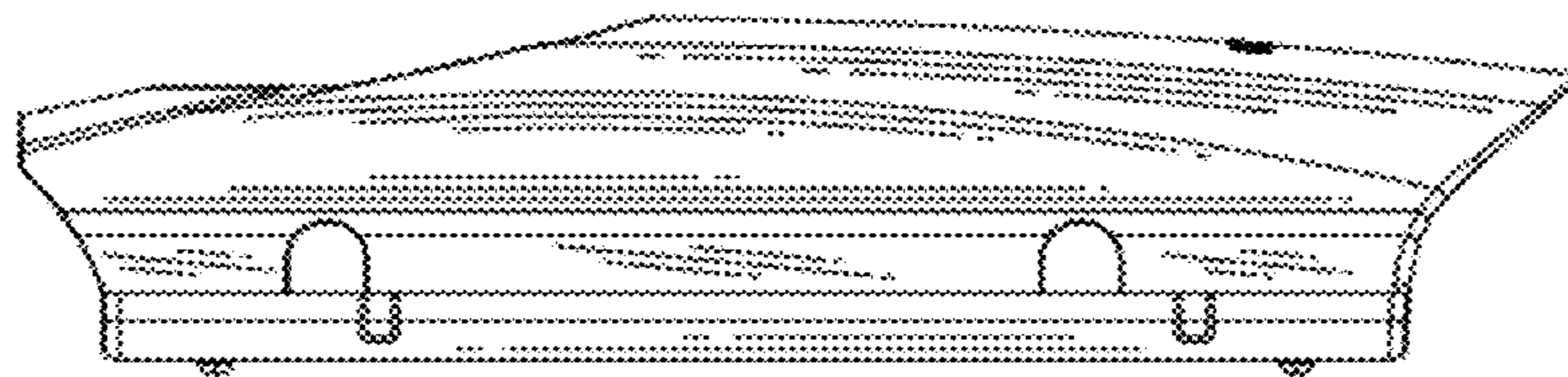


FIG. 4



FIG. 5

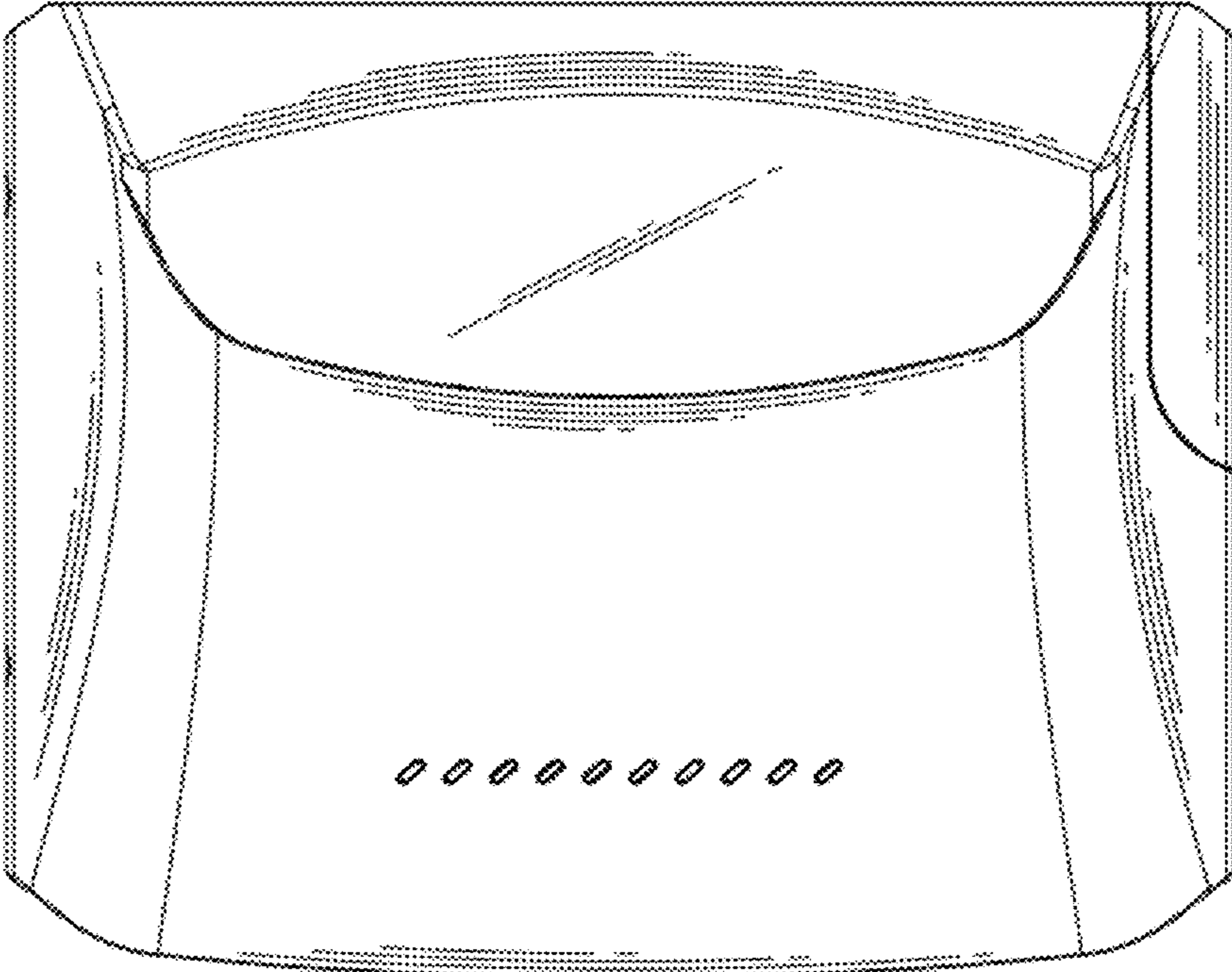


FIG. 6

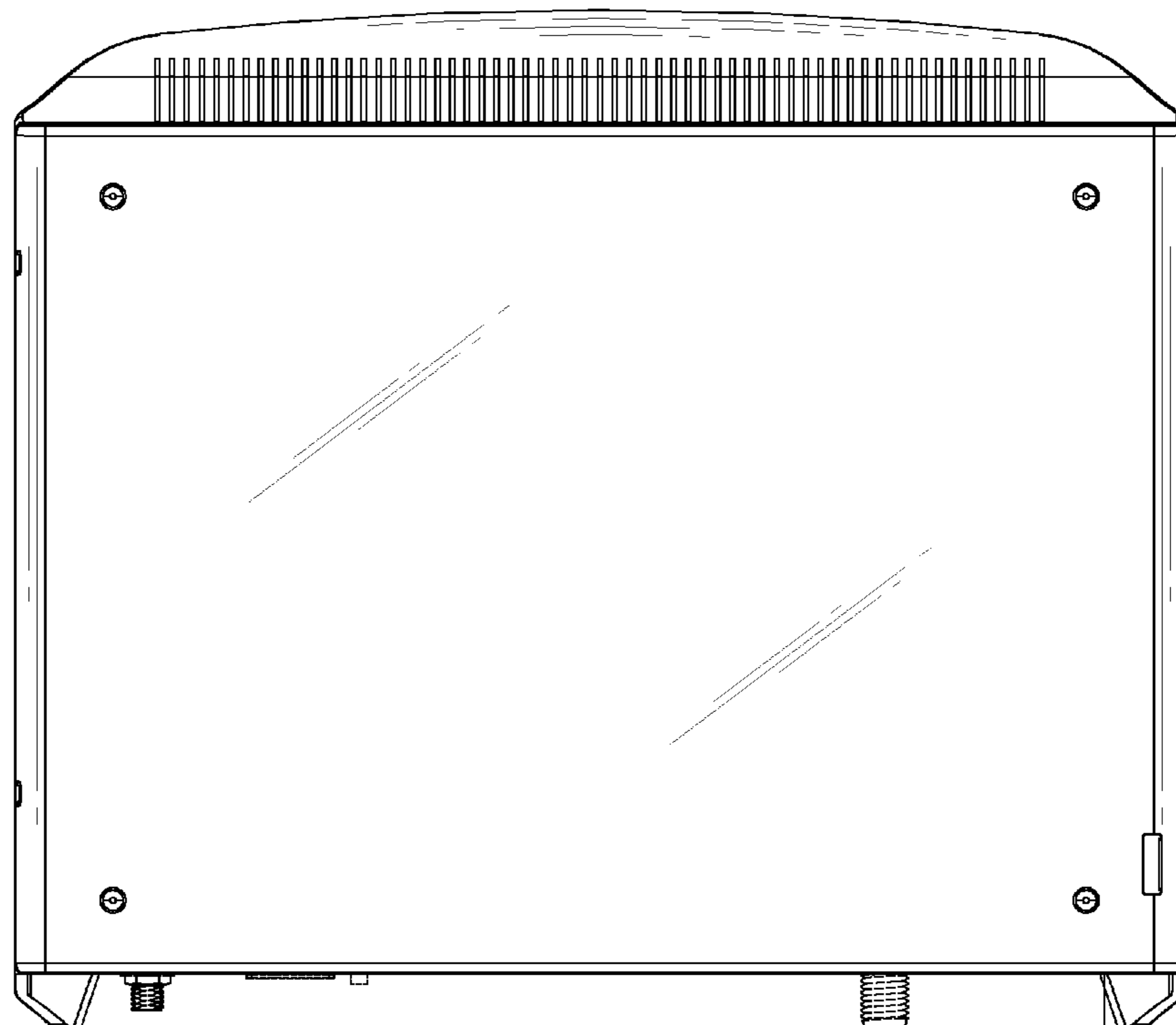


FIG. 7