



US00D671532S

(12) **United States Design Patent**
Mochizuki et al.

(10) **Patent No.:** **US D671,532 S**

(45) **Date of Patent:** **** Nov. 27, 2012**

(54) **STAND FOR DISPLAY**

(75) Inventors: **Yoshihito Mochizuki**, Minato-ku (JP);
Naoto Fukasawa, Minato-ku (JP)

(73) Assignee: **NEC Display Solutions, Ltd.**, Tokyo
(JP)

(**) Term: **14 Years**

(21) Appl. No.: **29/409,834**

(22) Filed: **Dec. 29, 2011**

(30) **Foreign Application Priority Data**

Jun. 30, 2011 (JP) 2011-15037

(51) **LOC (9) Cl.** **14-03**

(52) **U.S. Cl.** **D14/239**

(58) **Field of Classification Search** D14/447,
D14/451, 452, 239, 432, 434, 439, 448, 457,
D14/251, 253, 224, 224.1, 126, 127, 371,
D14/373, 374, 375; D8/363, 373, 380; 248/917,
248/918, 919, 920, 921, 922, 923, 924, 441.1,
248/460, 122.1, 125.7, 371, 176.1, 176.3,
248/222.52, 276.1, 324; 361/679.06, 679.04,
361/679.21, 679.22, 679.56

See application file for complete search history.

(56) **References Cited**

U.S. PATENT DOCUMENTS

5,570,526 A * 11/1996 Wallon 40/748
6,651,943 B2 * 11/2003 Cho et al. 248/122.1
6,653,931 B2 * 11/2003 Chiang 340/286.05
D490,990 S * 6/2004 Li D6/310

6,766,994 B2 * 7/2004 Serbinski et al. 248/371
7,758,000 B2 * 7/2010 Hsieh et al. 248/176.1
D624,062 S * 9/2010 Kasuga et al. D14/239
D625,302 S * 10/2010 Kasuga et al. D14/239
8,047,488 B2 * 11/2011 Wang et al. 248/291.1
8,070,115 B2 * 12/2011 Wang et al. 248/157
8,083,193 B2 * 12/2011 Matsui et al. 248/221.11

* cited by examiner

Primary Examiner — Raphael Barkai

Assistant Examiner — Randall Gholson

(74) *Attorney, Agent, or Firm* — Sughrue Mion, PLLC

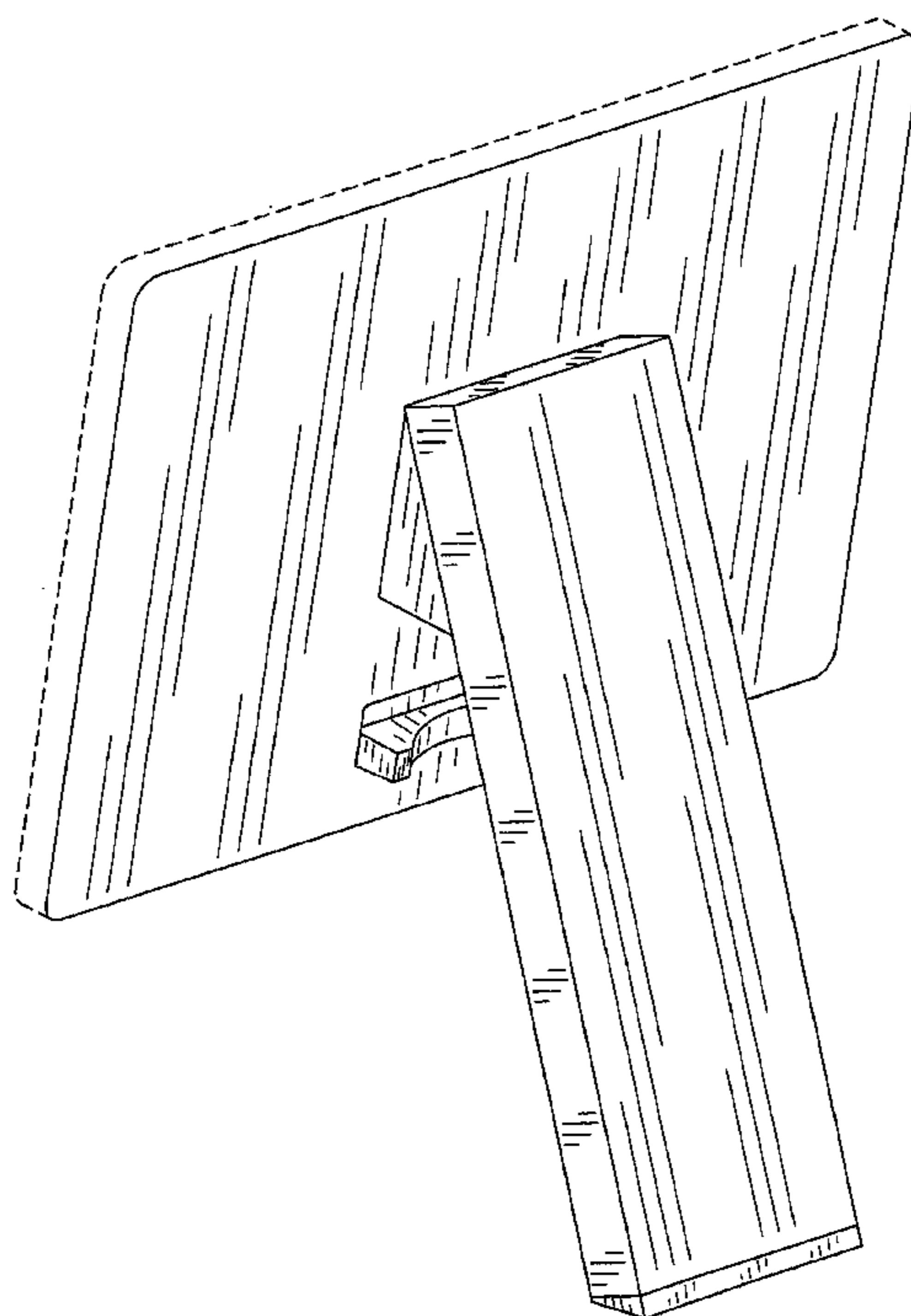
(57) **CLAIM**

The ornamental design for a stand for display, as shown and described.

DESCRIPTION

FIG. 1 is a front, left side, top perspective view of a stand for display showing our new design;
FIG. 2 is a front elevational view thereof;
FIG. 3 is a rear elevational view thereof;
FIG. 4 is a left side view thereof;
FIG. 5 is a right side view thereof;
FIG. 6 is a top plan view thereof;
FIG. 7 is a bottom plan view thereof;
FIG. 8 is a cross-sectional view thereof, take along line 8-8 of FIG. 2;
FIG. 9 is a right side view thereof a leg part is folded;
FIG. 10 is a perspective view thereof the leg part is folded;
FIG. 11 is a reference perspective view thereof showing a state in which a extension part is attached; and,
FIG. 12 is a reference perspective view thereof showing a state in which this article is used.

1 Claim, 11 Drawing Sheets



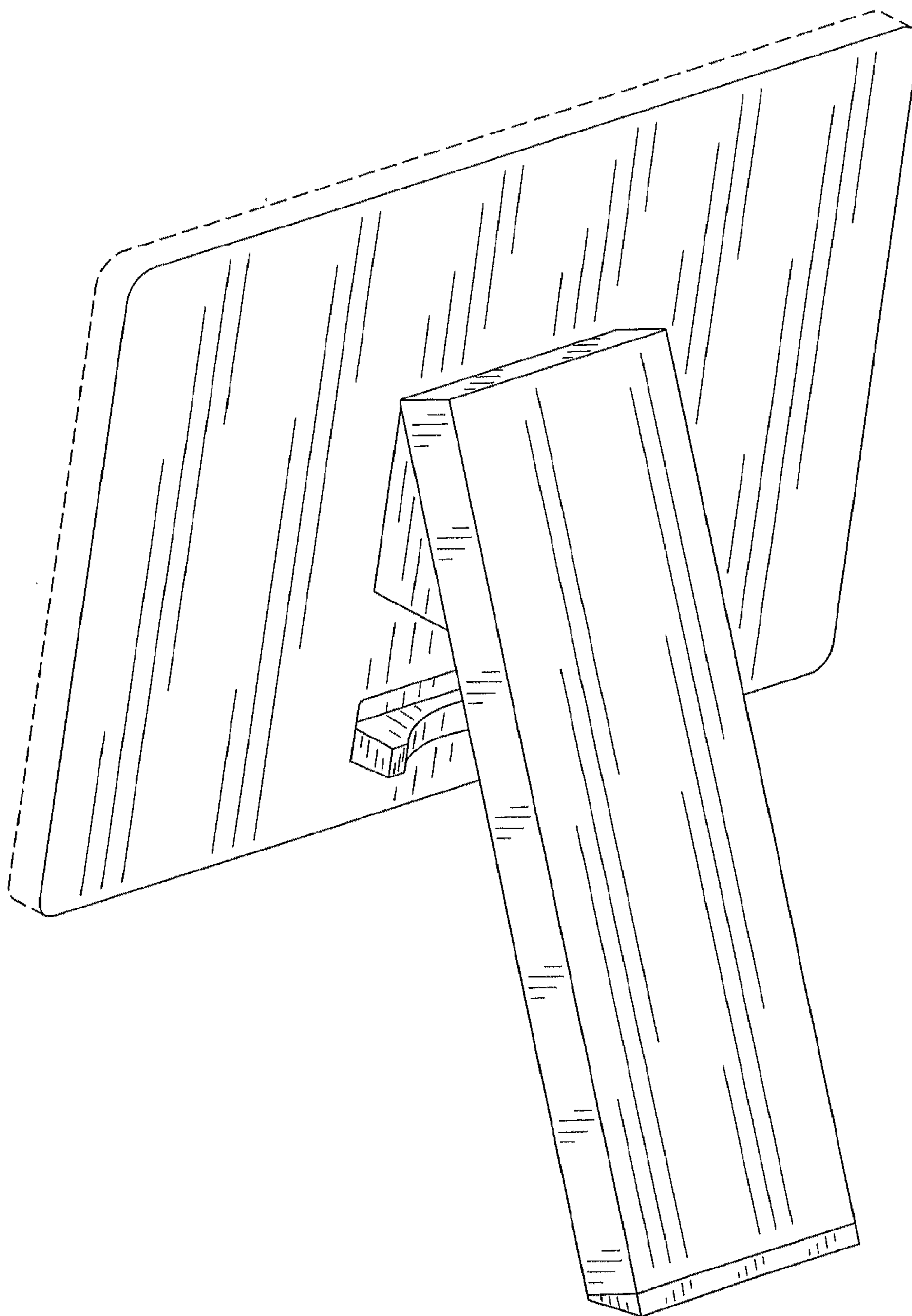


FIG. 1

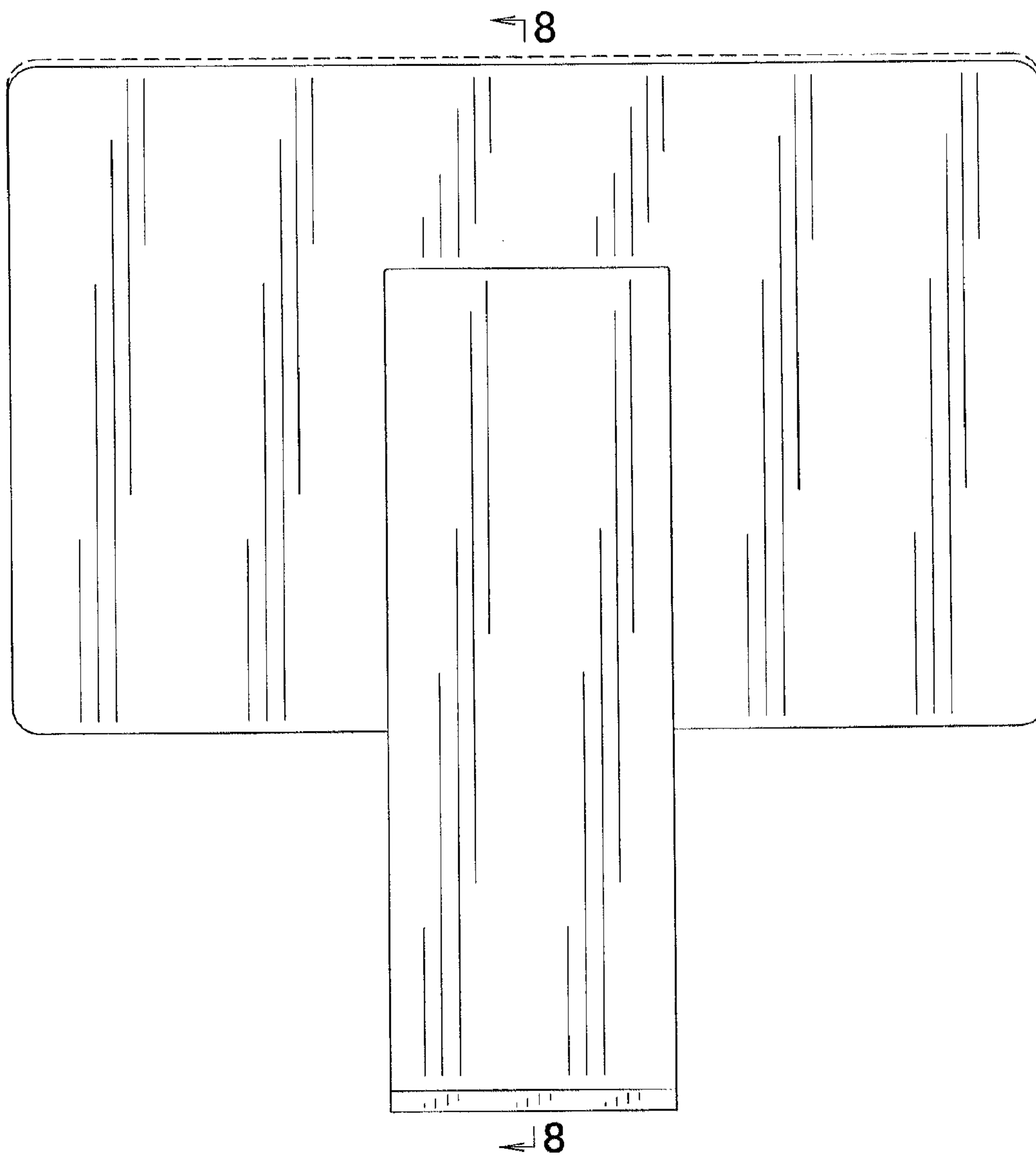


FIG. 2

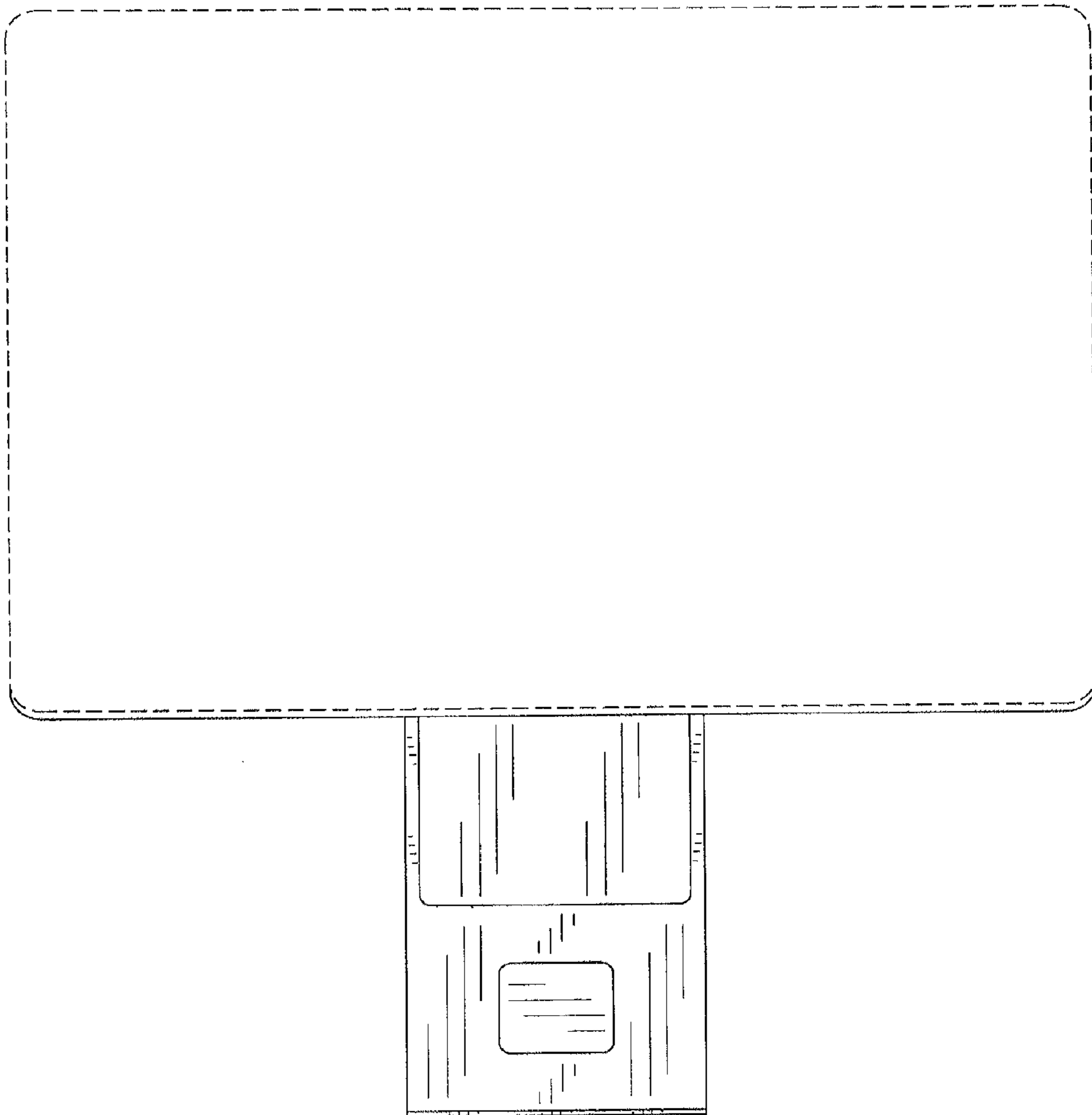


FIG. 3

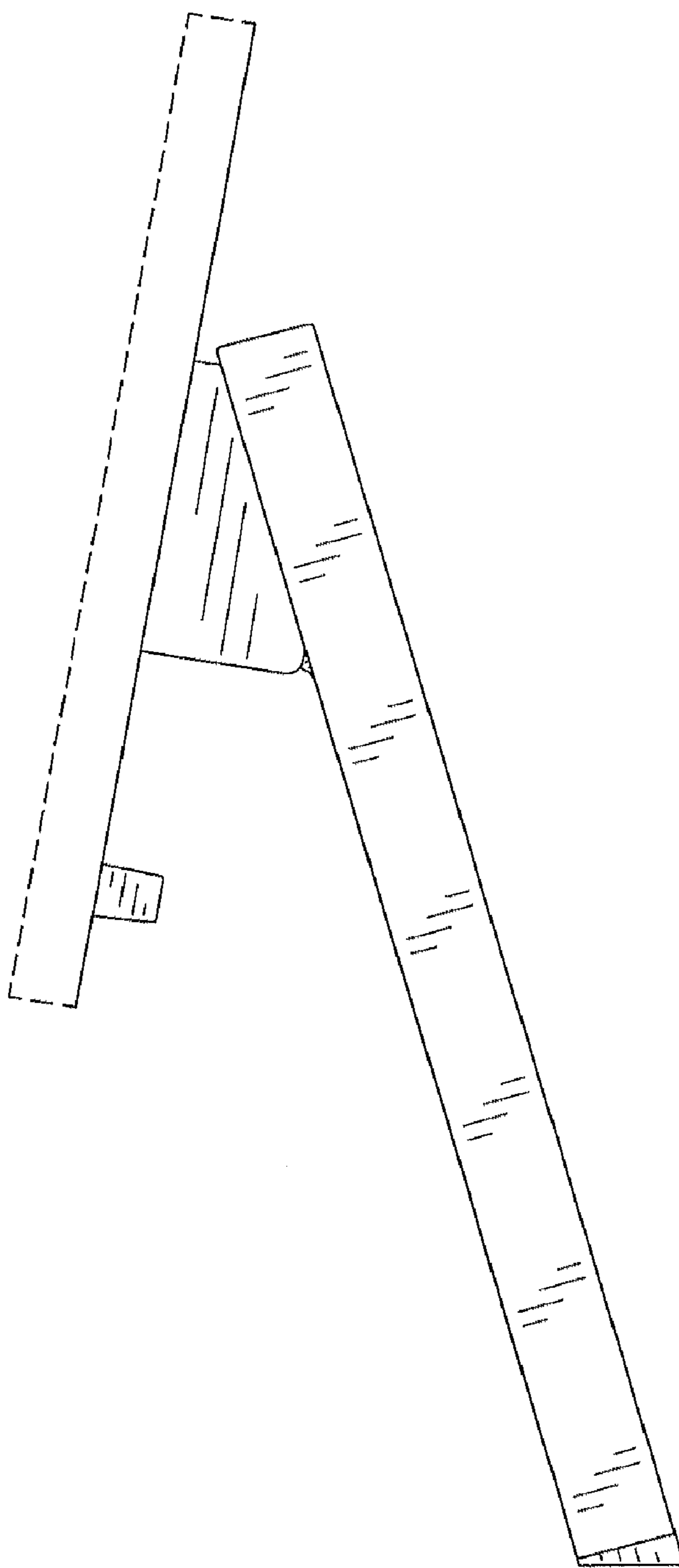


FIG. 4

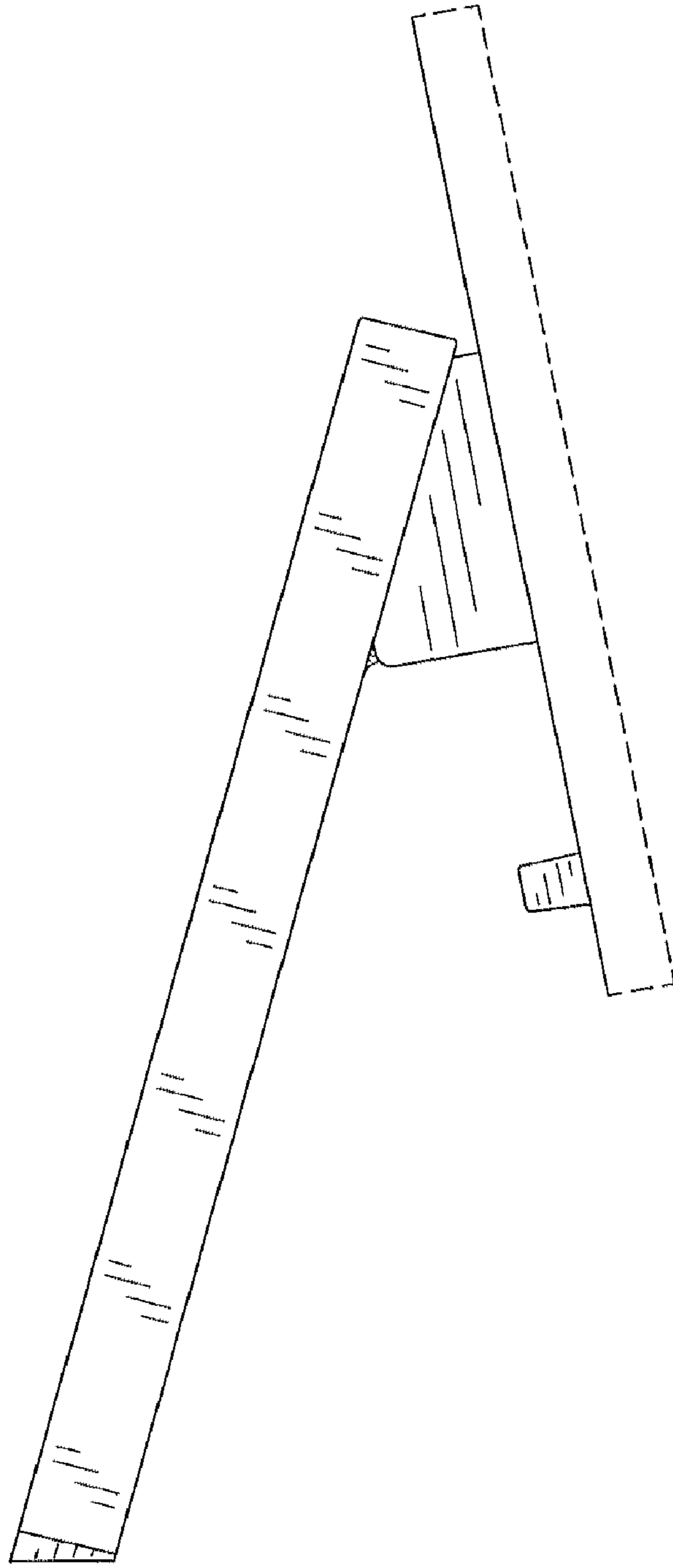


FIG. 5

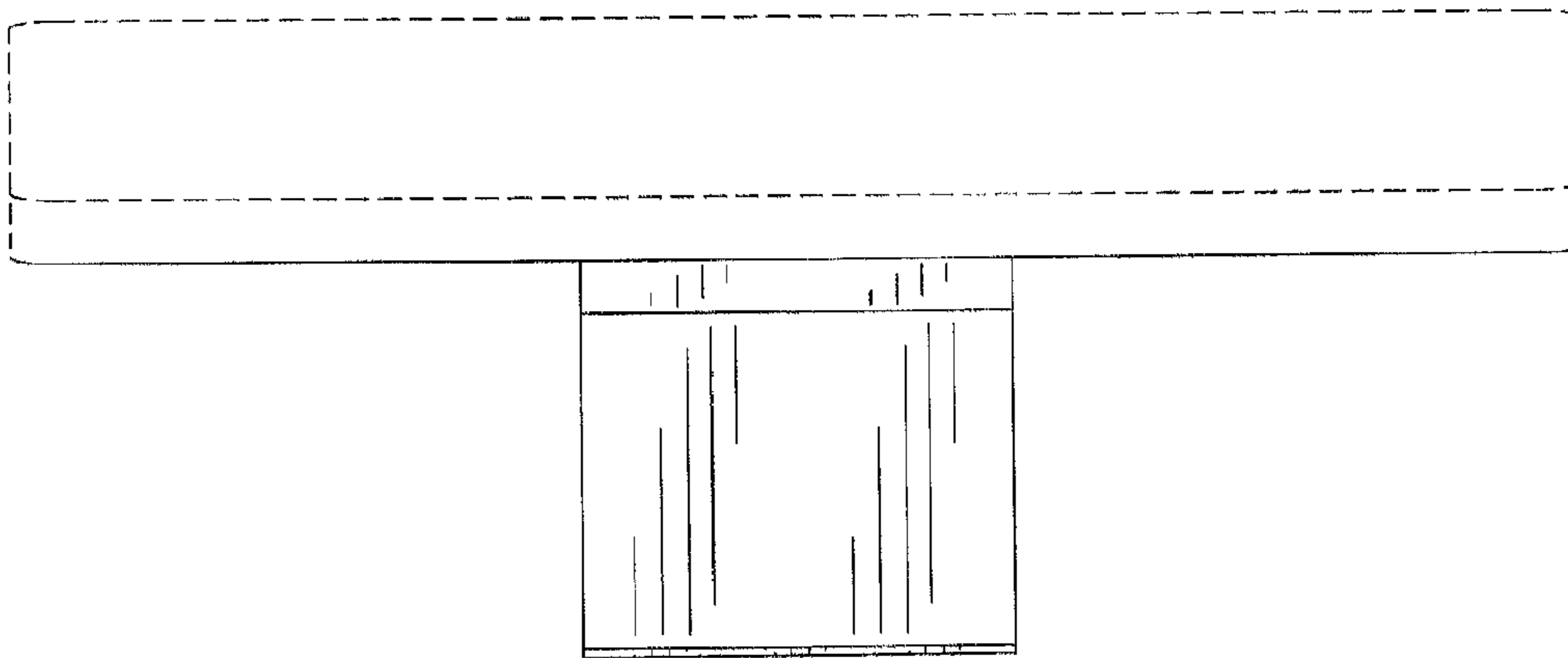


FIG. 6

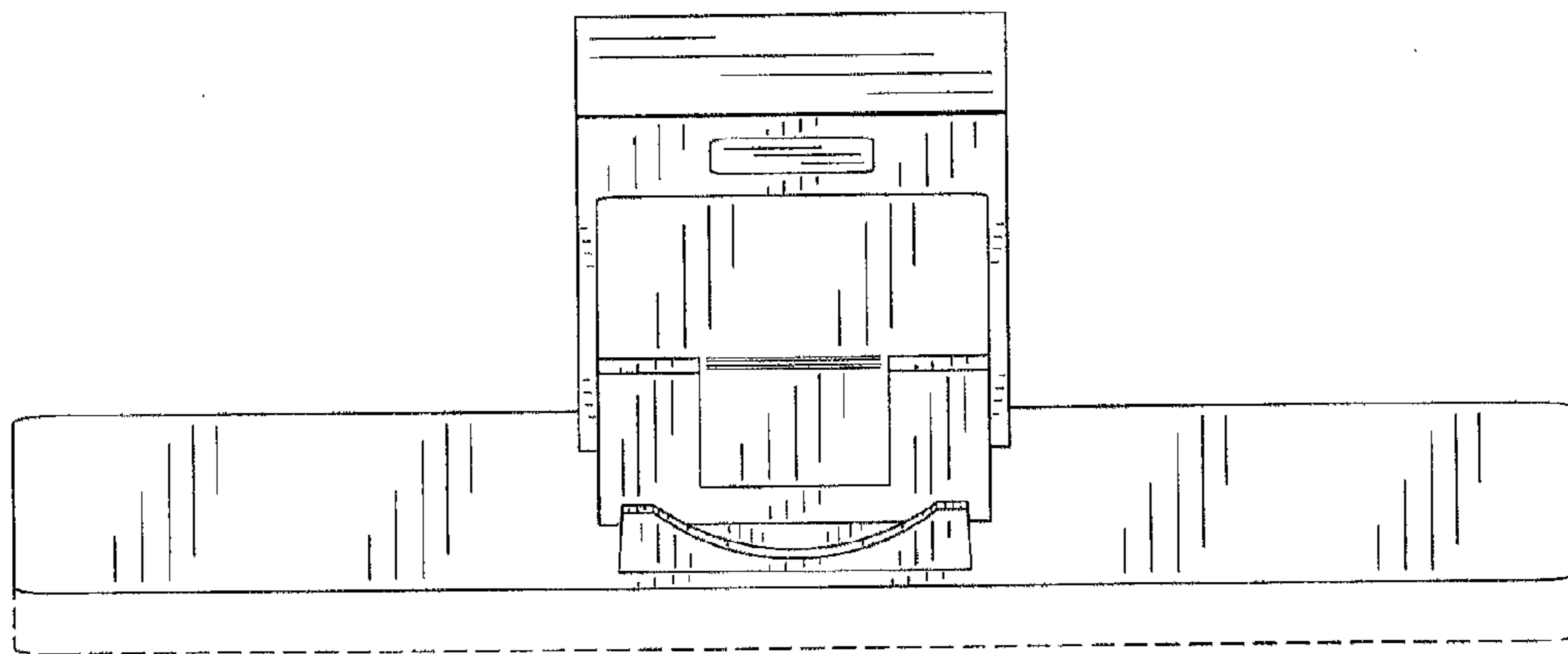


FIG. 7

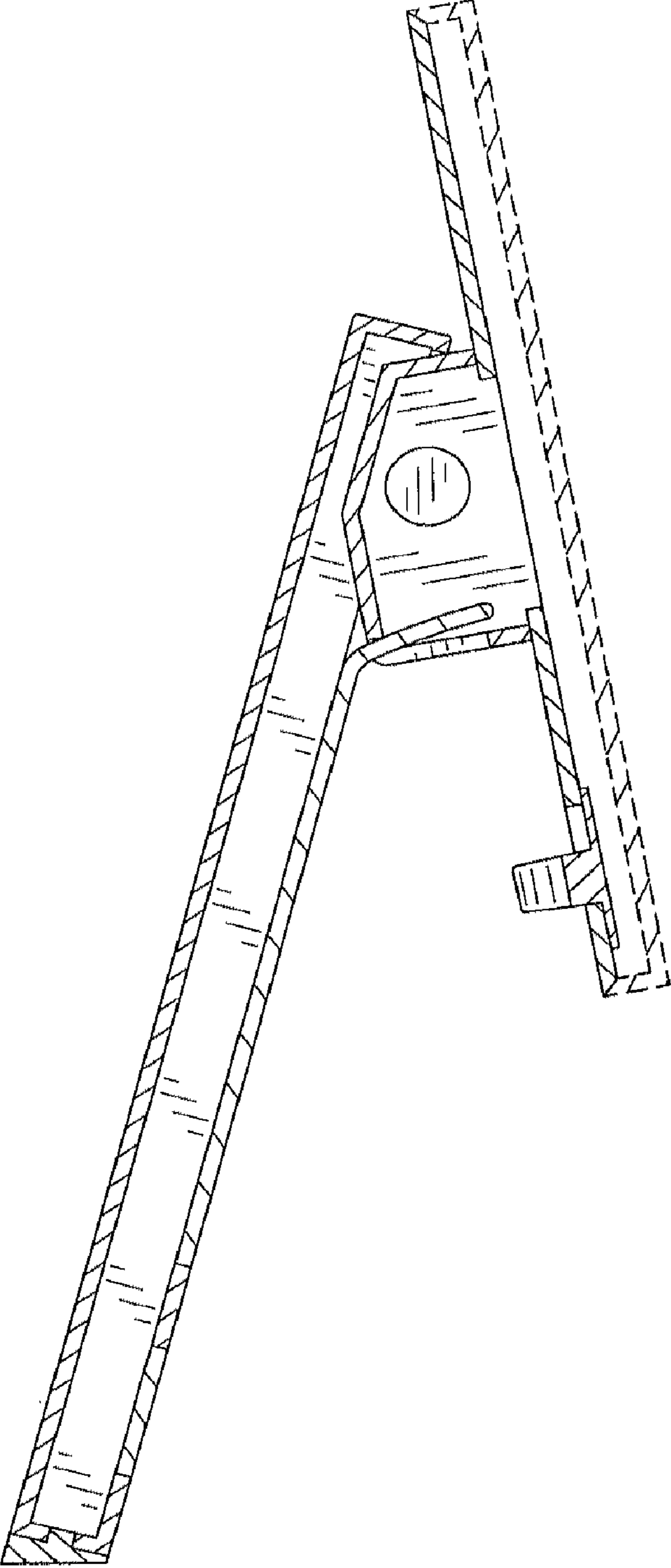


FIG. 8

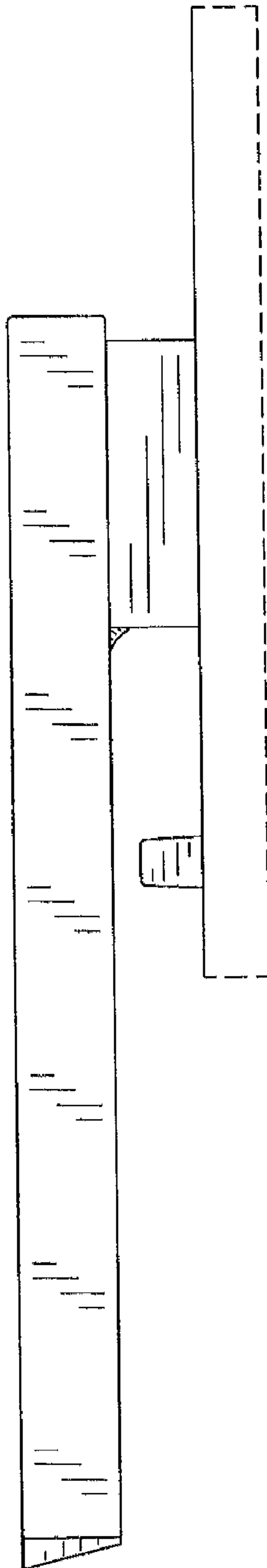


FIG. 9

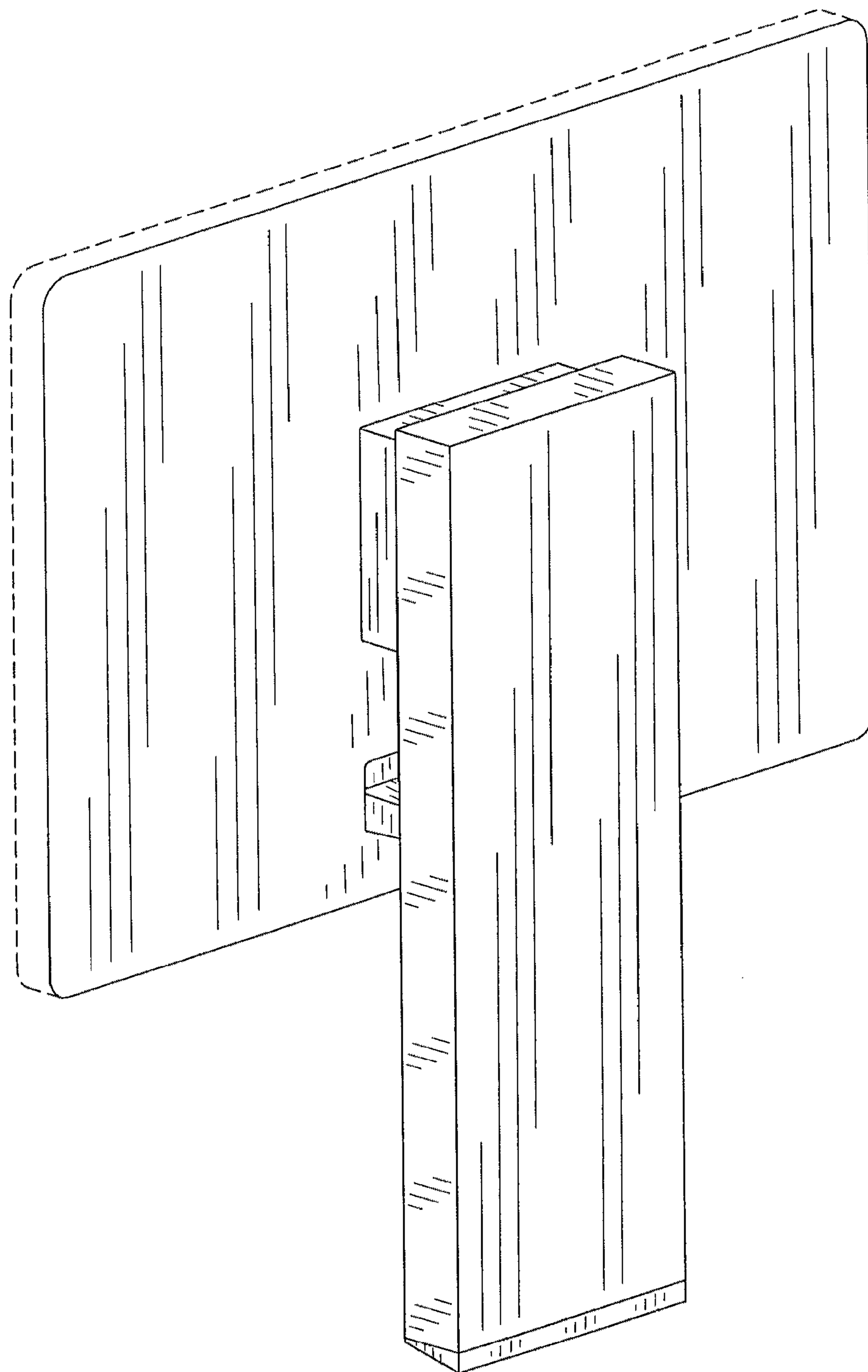


FIG. 10

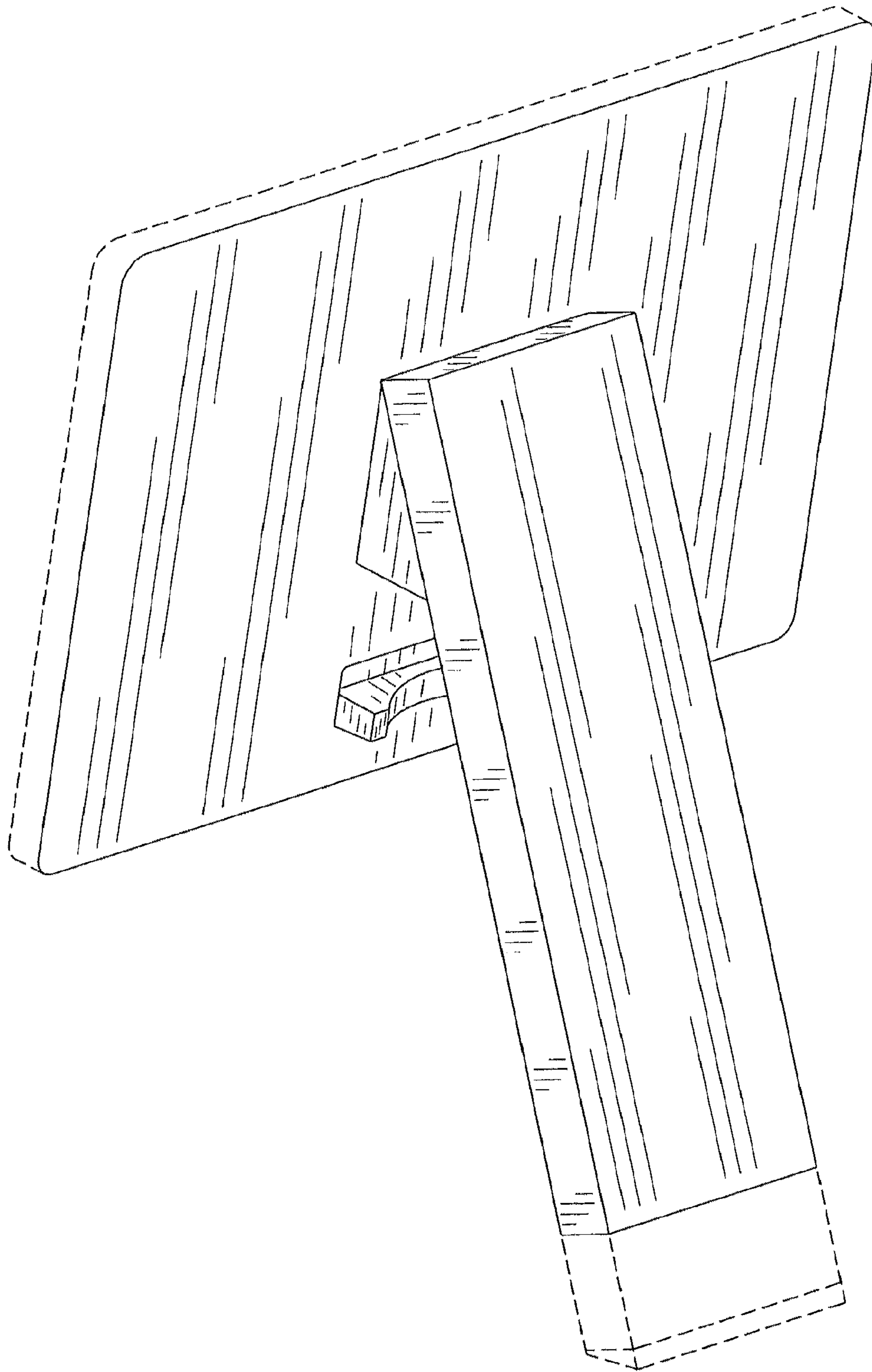


FIG. 11

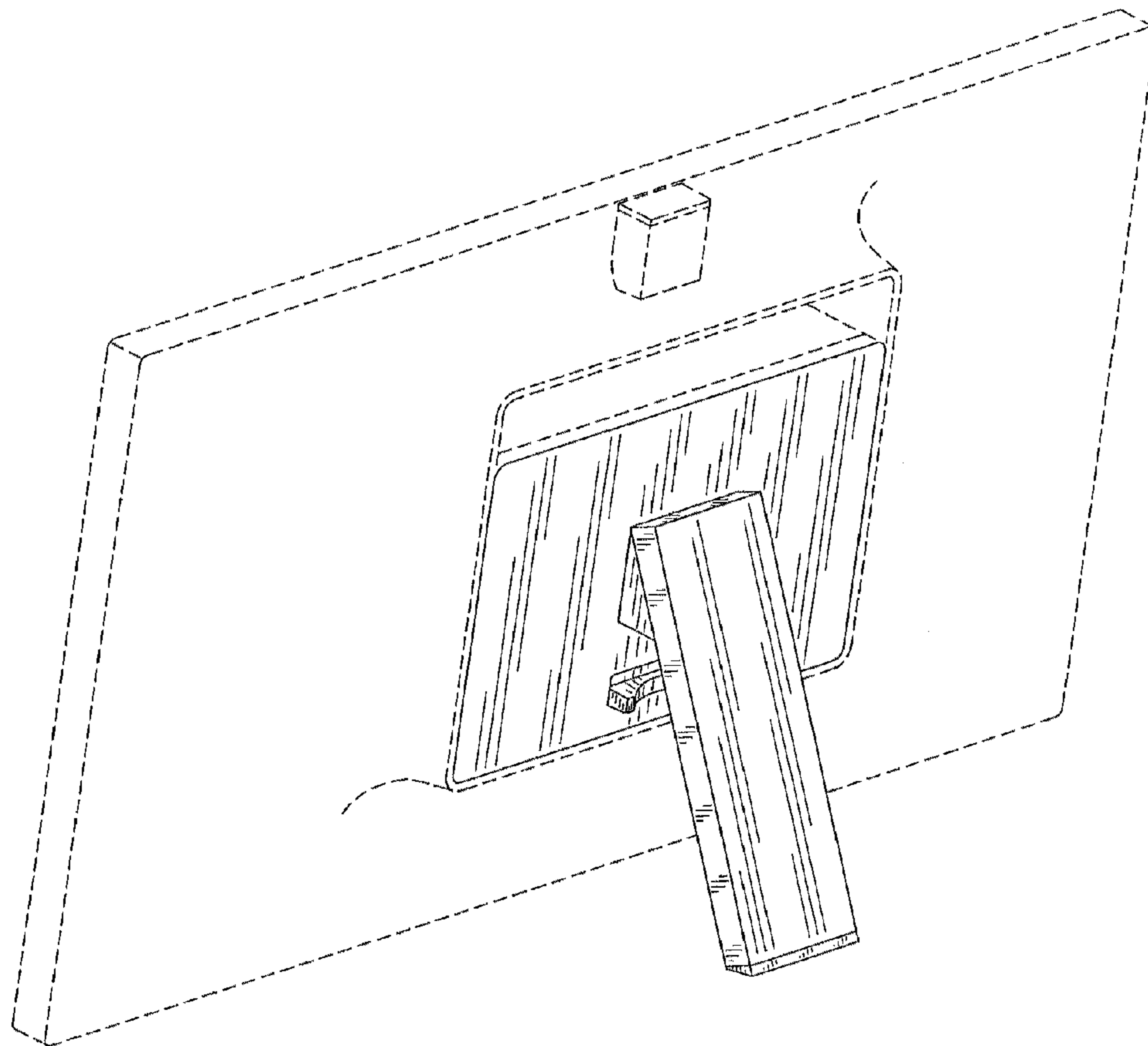


FIG. 12