



US00D671528S

(12) **United States Design Patent**
Fathollahi

(10) **Patent No.:** **US D671,528 S**

(45) **Date of Patent:** **** Nov. 27, 2012**

(54) **AUDIO SPEAKER**

(76) Inventor: **Nausser Fathollahi**, Irvine, CA (US)

(**) Term: **14 Years**

(21) Appl. No.: **29/388,718**

(22) Filed: **Mar. 31, 2011**

(51) **LOC (9) Cl.** **14-01**

(52) **U.S. Cl.** **D14/216; D14/211**

(58) **Field of Classification Search** D14/204,
D14/207, 209.1, 210–216, 172, 168; 181/143,
181/144, 147, 148, 150–153, 157, 198, 199;
381/300–303, 306, 332, 333, 336, 345, 361–364,
381/386–388

See application file for complete search history.

(56) **References Cited**

U.S. PATENT DOCUMENTS

4,574,906	A *	3/1986	White et al.	181/145
5,319,164	A *	6/1994	Shen	181/150
5,444,194	A *	8/1995	Reinke	181/150
5,714,723	A *	2/1998	Kang	181/199
D547,305	S *	7/2007	Sugiyama et al.	D14/221
D602,911	S *	10/2009	Wang et al.	D14/216
D620,480	S *	7/2010	Garrett	D14/216
D622,702	S *	8/2010	Sheng et al.	D14/216
D628,980	S *	12/2010	Wang et al.	D14/216

D635,554	S *	4/2011	Lee	D14/216
D641,732	S *	7/2011	Liner	D14/216
D643,408	S *	8/2011	Huang	D14/216

* cited by examiner

Primary Examiner — Prabhakar Deshmukh

(74) *Attorney, Agent, or Firm* — Klein, O'Neill & Singh, LLP

(57) **CLAIM**

The ornamental design for an audio speaker, as shown.

DESCRIPTION

FIG. 1 is a front and top perspective view of an audio speaker in accordance with my new design;

FIG. 2 is a front elevational view of the audio speaker shown in FIG. 1;

FIG. 3 is a top plan view of the audio speaker shown in FIG. 1;

FIG. 4 is a bottom plan view of the audio speaker shown in FIG. 1;

FIG. 5 is a side elevational view of the audio speaker, taken from the right side of FIG. 2;

FIG. 6 is a side elevational view of the audio speaker, taken from the left side of FIG. 2; and,

FIG. 7 is a rear elevational view of the audio speaker shown in FIG. 1.

1 Claim, 2 Drawing Sheets

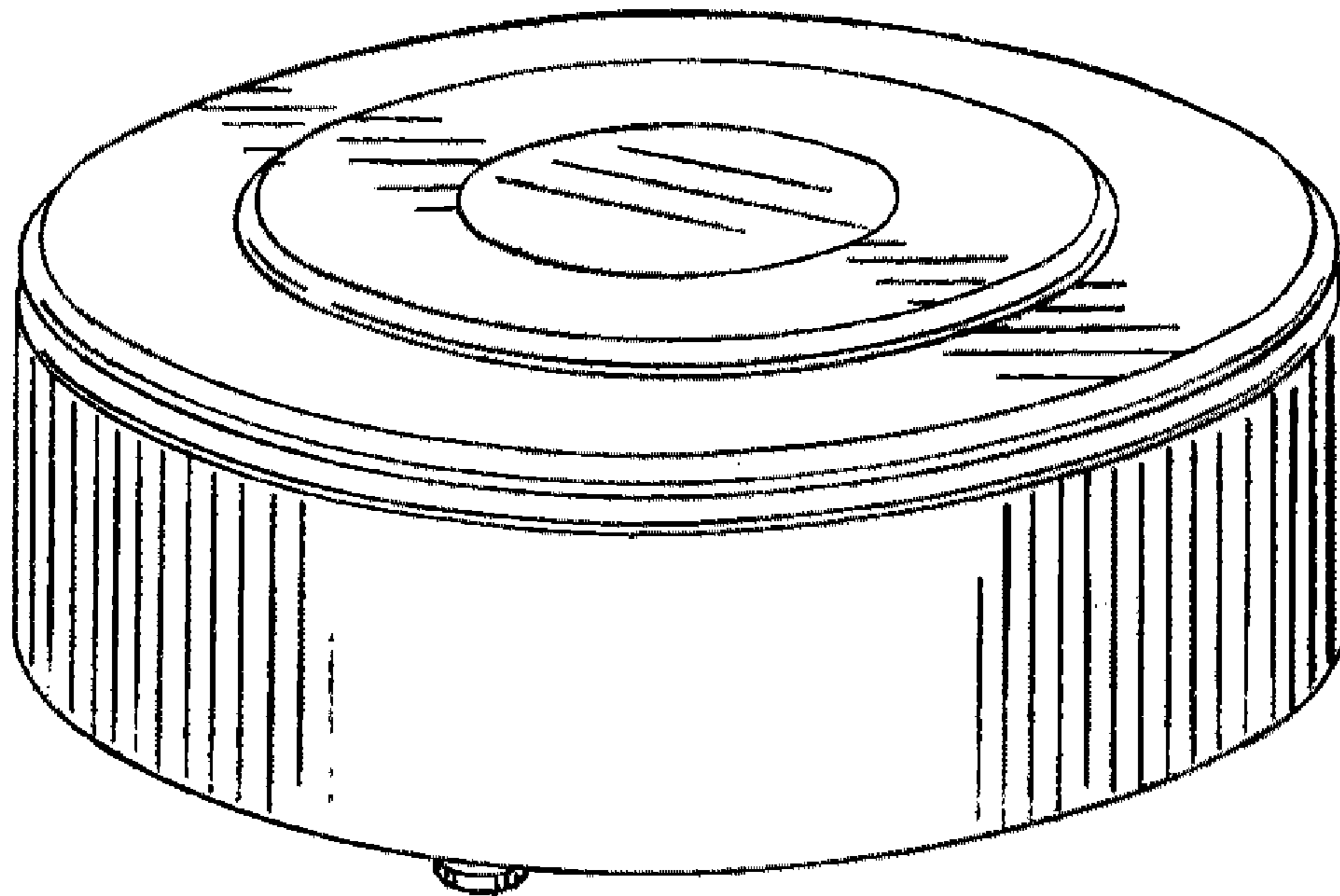


FIG. 1

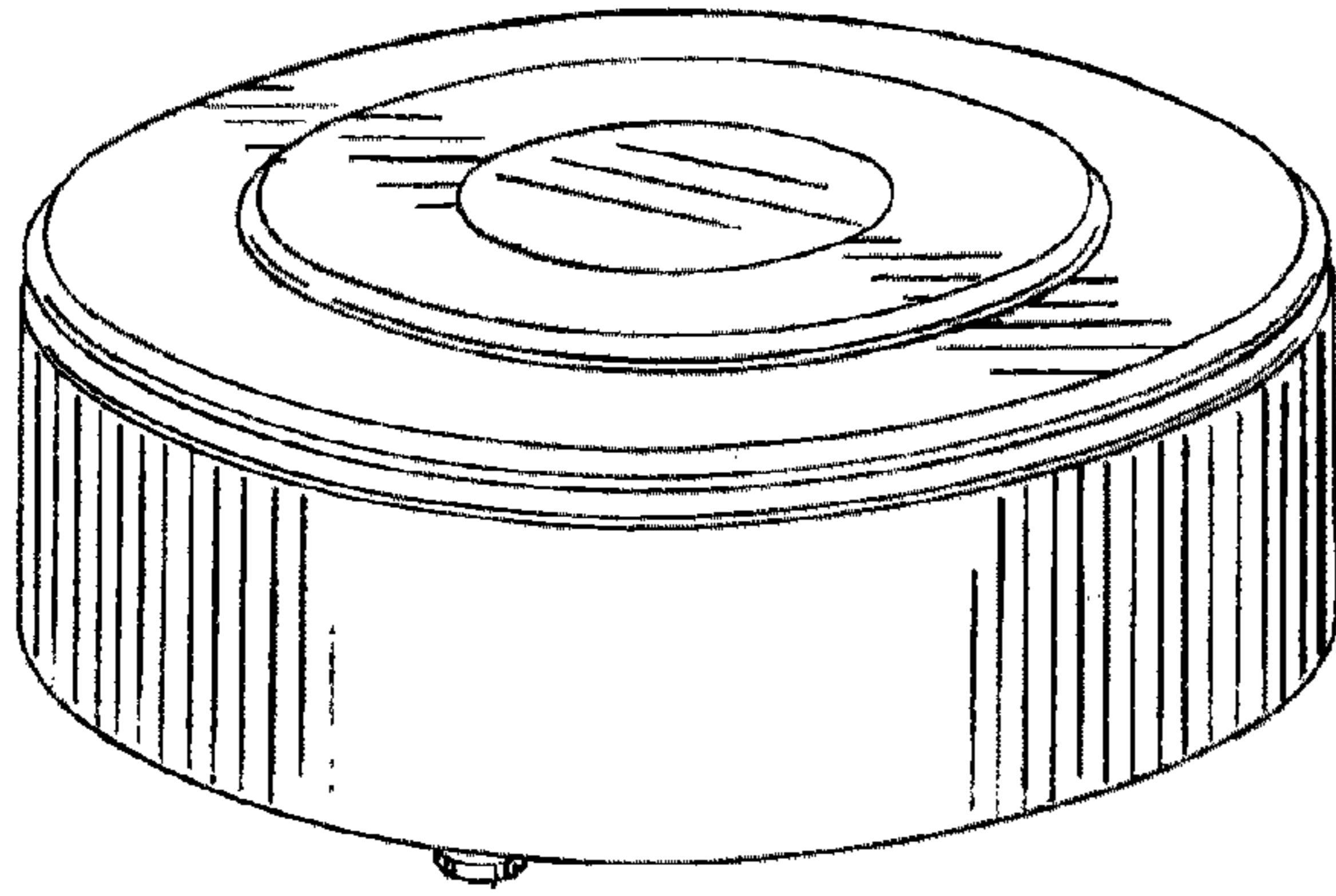


FIG. 2

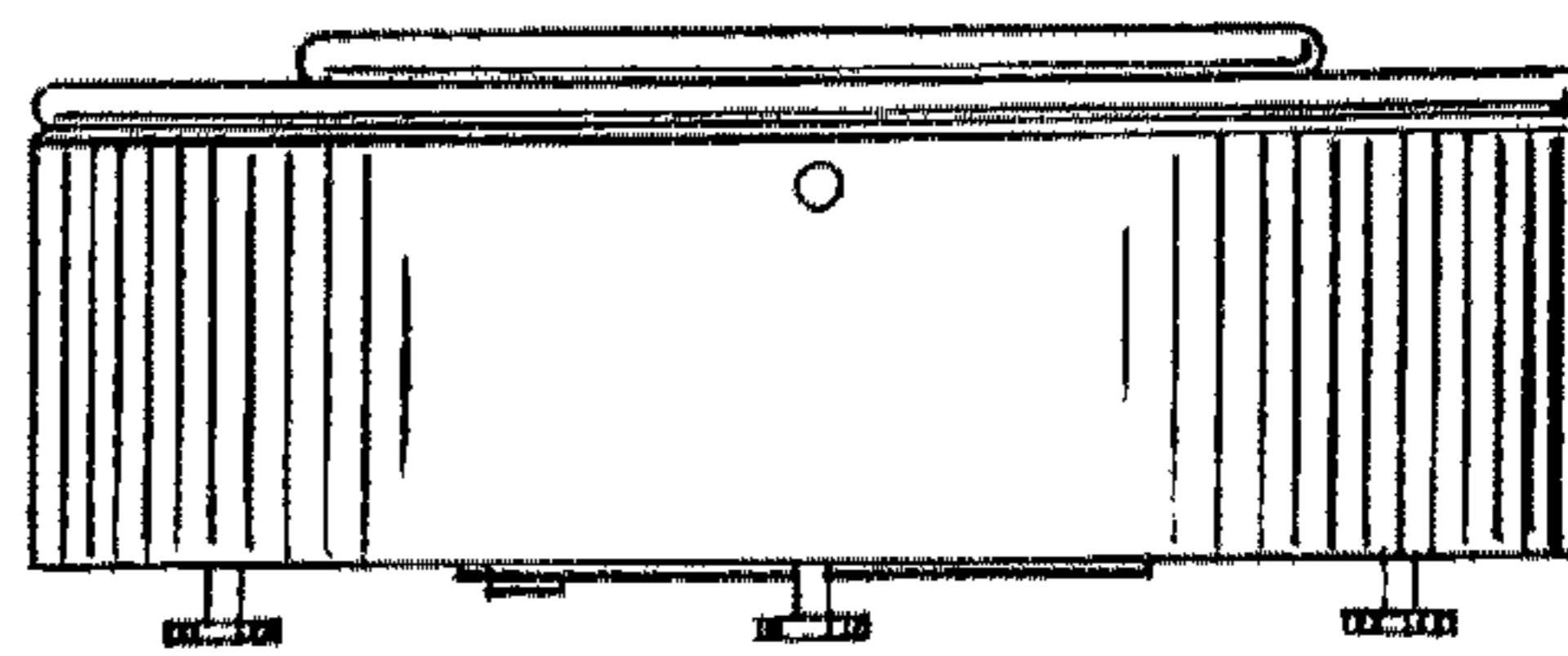


FIG. 3

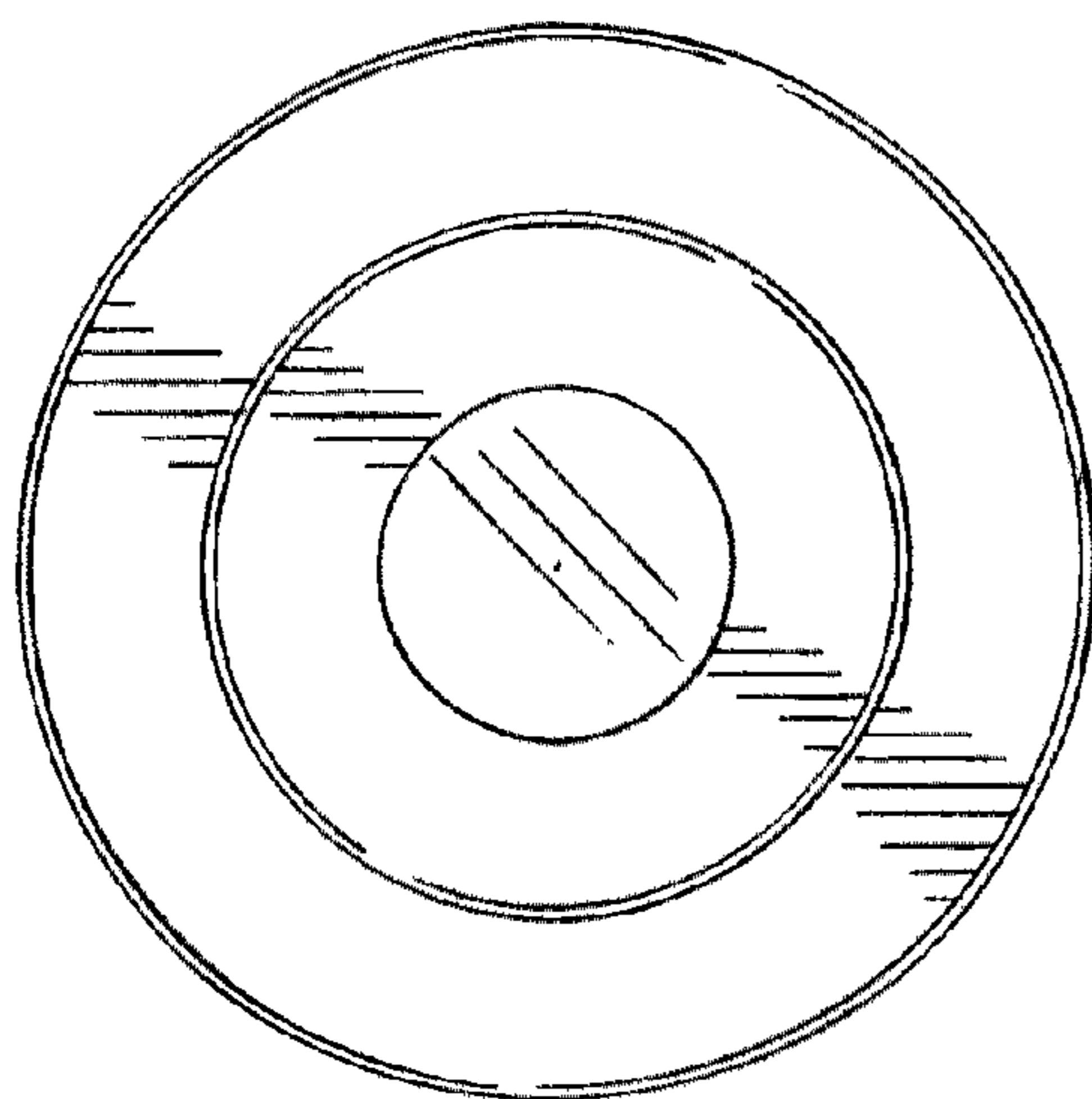
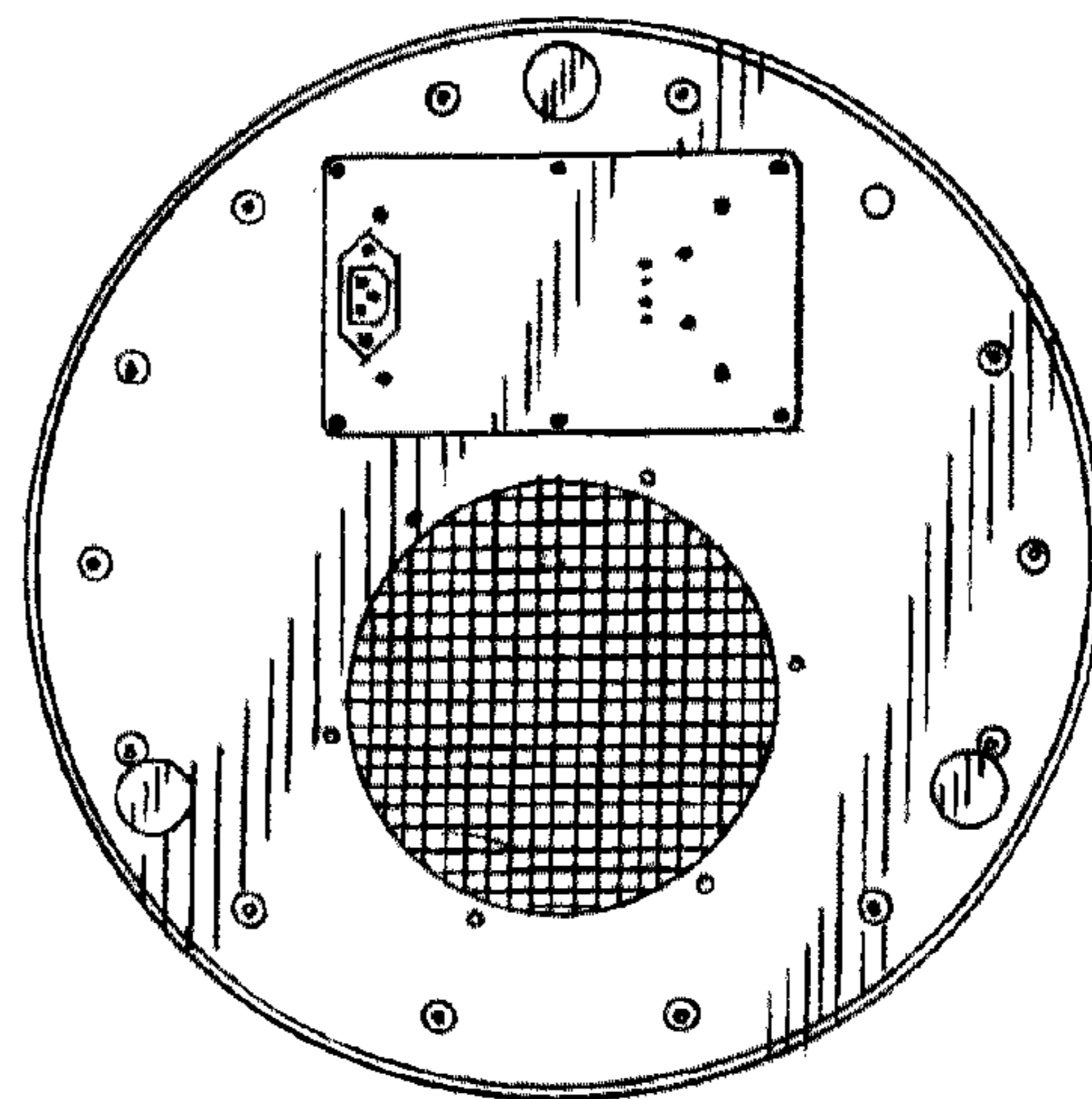


FIG. 4



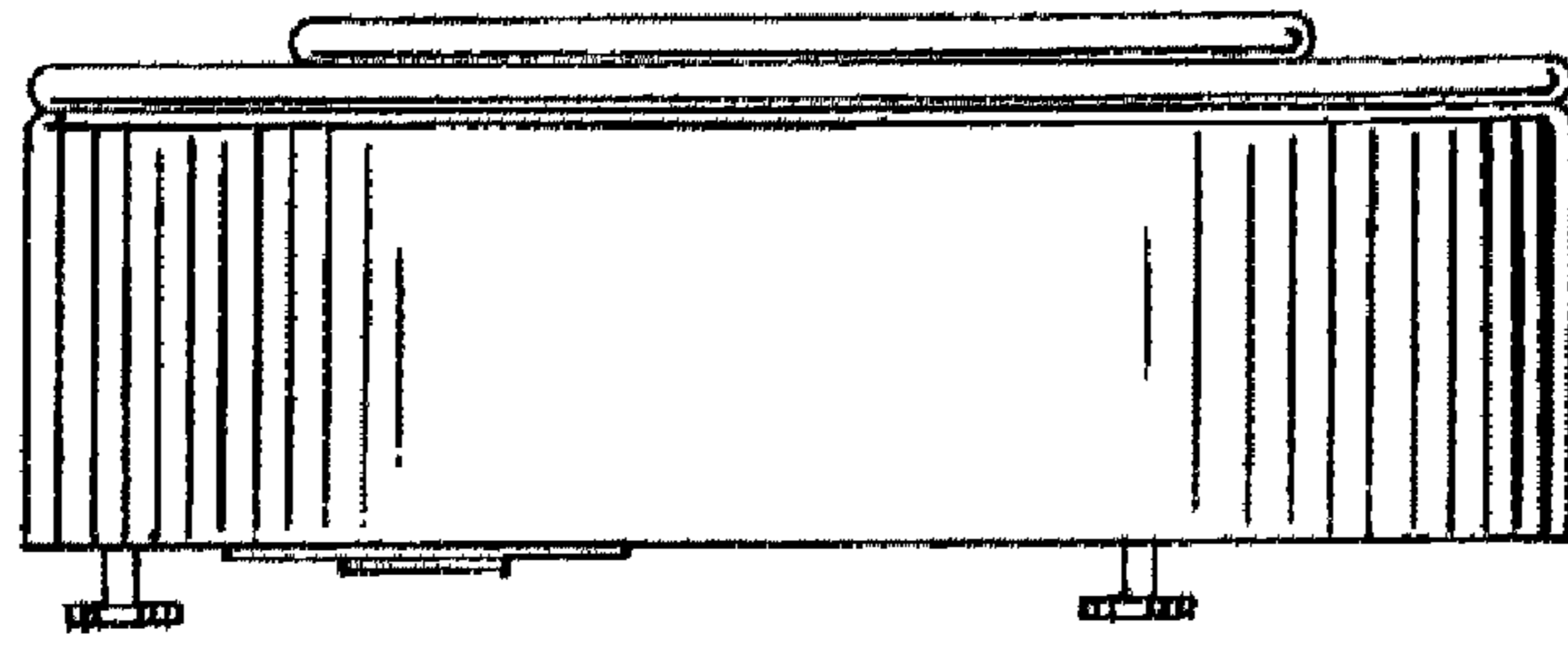


FIG. 5

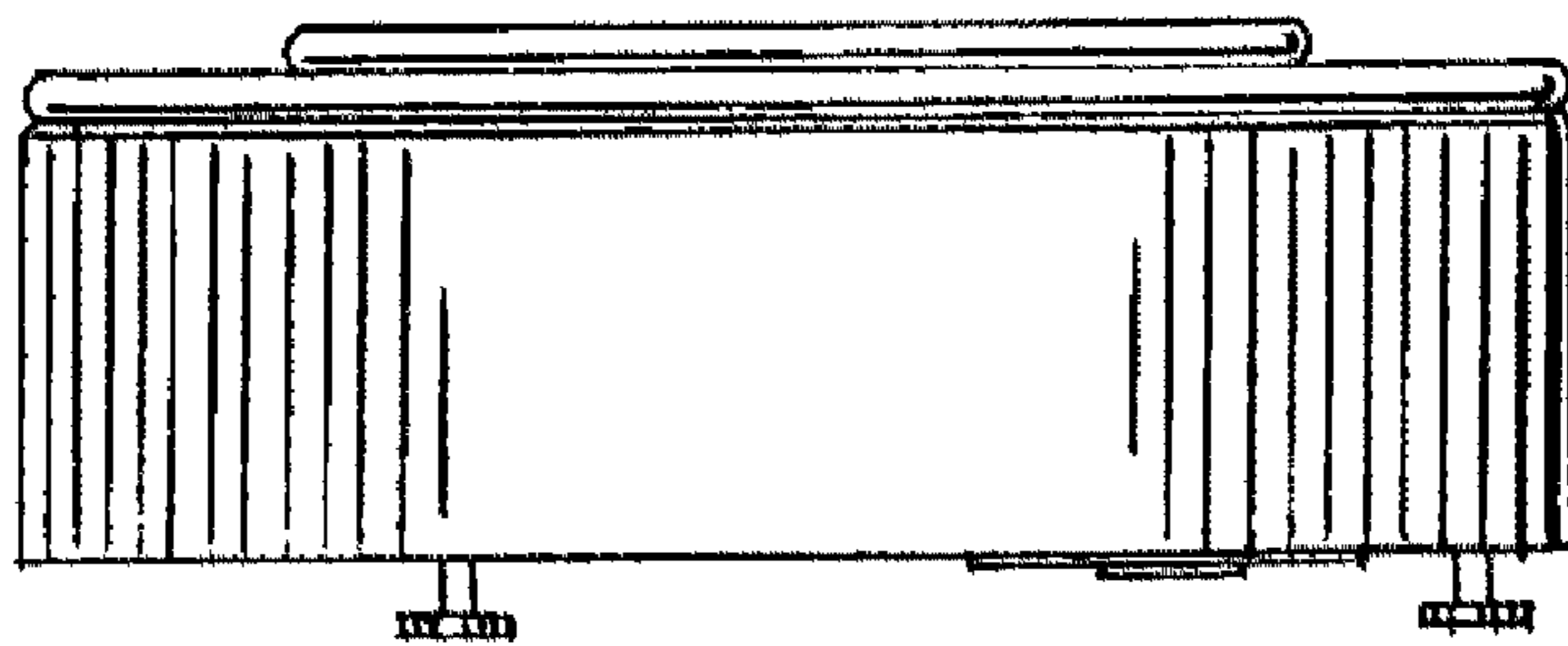


FIG. 6

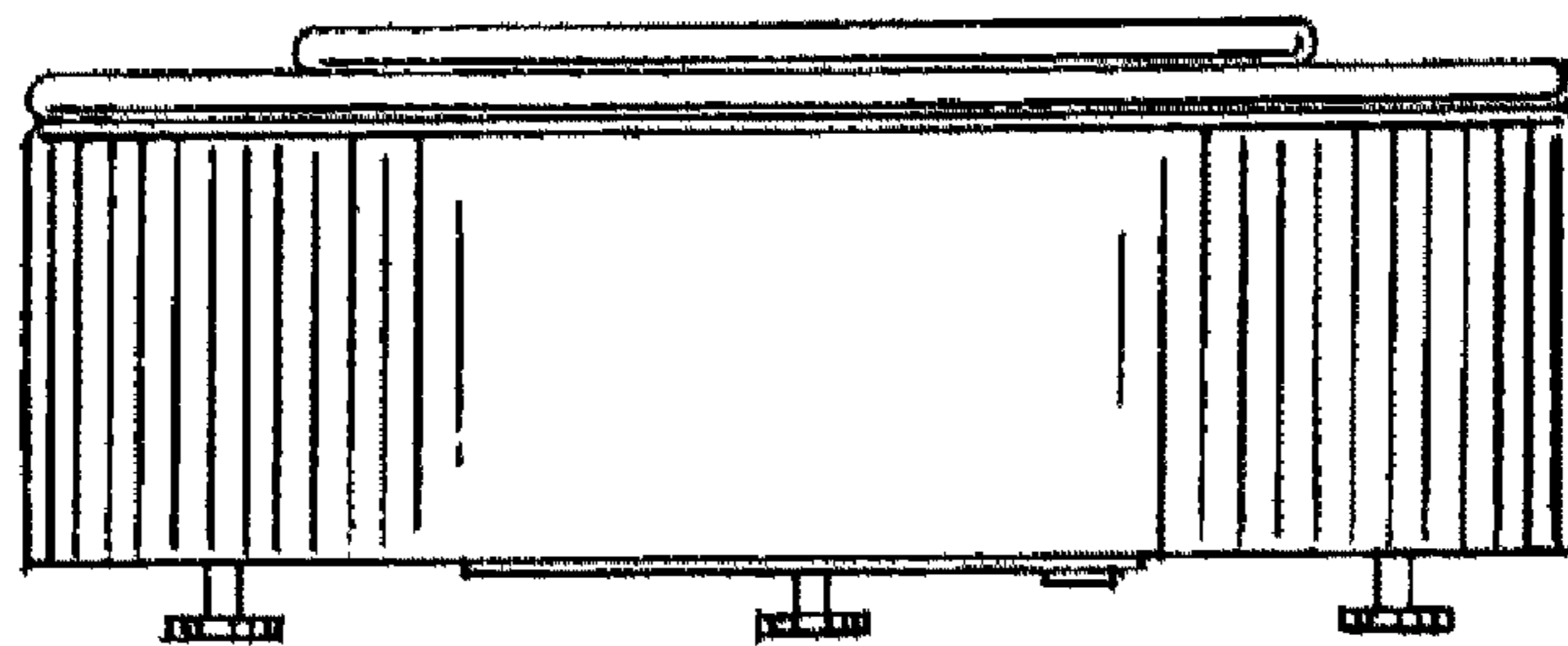


FIG. 7