



US00D671526S

(12) **United States Design Patent**
Lee et al.

(10) **Patent No.:** **US D671,526 S**
(45) **Date of Patent:** **** Nov. 27, 2012**

(54) **SPEAKER**
(75) Inventors: **Min-Hee Lee**, Seoul (KR); **Yeon-Moo Chung**, Seoul (KR); **Sang-Young Lee**, Gwangmyeong (KR)

(73) Assignee: **Samsung Electronics Co., Ltd.**, Suwon (KR)

(**) Term: **14 Years**

(21) Appl. No.: **29/393,984**

(22) Filed: **Jun. 10, 2011**

(30) **Foreign Application Priority Data**

Feb. 21, 2011 (KR) 30-2011-0006670

(51) **LOC (9) Cl.** **14-01**

(52) **U.S. Cl.** **D14/215**

(58) **Field of Classification Search** D14/204,
D14/210–216, 172; 181/143–144, 147–148,
181/150–153, 157, 198–199; 381/300–303,
381/306, 332–333, 336, 345, 361–364, 386–388
See application file for complete search history.

(56) **References Cited**

U.S. PATENT DOCUMENTS

2,670,807	A *	3/1954	Brown	381/189
3,026,957	A *	3/1962	Gladstone	181/147
3,194,340	A *	7/1965	Kuwayama	381/346
4,221,929	A *	9/1980	Fukuda	381/386
D434,751	S *	12/2000	Sogabe et al.	D14/215
D471,893	S	3/2003	Jung		
D512,413	S *	12/2005	Brimhall et al.	D14/215
D520,975	S	5/2006	Kim et al.		
D529,019	S	9/2006	Lim		
D537,072	S	2/2007	Kim et al.		
D540,780	S	4/2007	Kim		
D542,278	S *	5/2007	Yan	D14/215
D542,777	S *	5/2007	Sato	D14/215
D545,300	S	6/2007	Hong et al.		
D548,222	S	8/2007	Kim		
D551,655	S	9/2007	Kim		

D551,665	S	9/2007	Tom et al.		
D560,209	S	1/2008	Kim et al.		
D560,211	S	1/2008	Kim et al.		
D560,686	S	1/2008	Kim		
D561,141	S	2/2008	Cho et al.		
D561,142	S	2/2008	Oh		
D561,161	S	2/2008	Cho		
D567,203	S	4/2008	Park		
D570,333	S	6/2008	Cho		
D570,828	S	6/2008	Cho		
D571,785	S	6/2008	Kim		
D571,786	S	6/2008	Cho		
D573,584	S	7/2008	Kim		
D573,585	S *	7/2008	Belanger et al.	D14/215

(Continued)

FOREIGN PATENT DOCUMENTS

KR 3004583830000 8/2007

(Continued)

OTHER PUBLICATIONS

U.S. Appl. No. 29/393,936, Applicant: Chung, et al., filed Jun. 10, 2011 entitled Mini Component Audio.

(Continued)

Primary Examiner — Prabhakar Deshmukh

(74) *Attorney, Agent, or Firm* — Wood, Herron & Evans, LLP

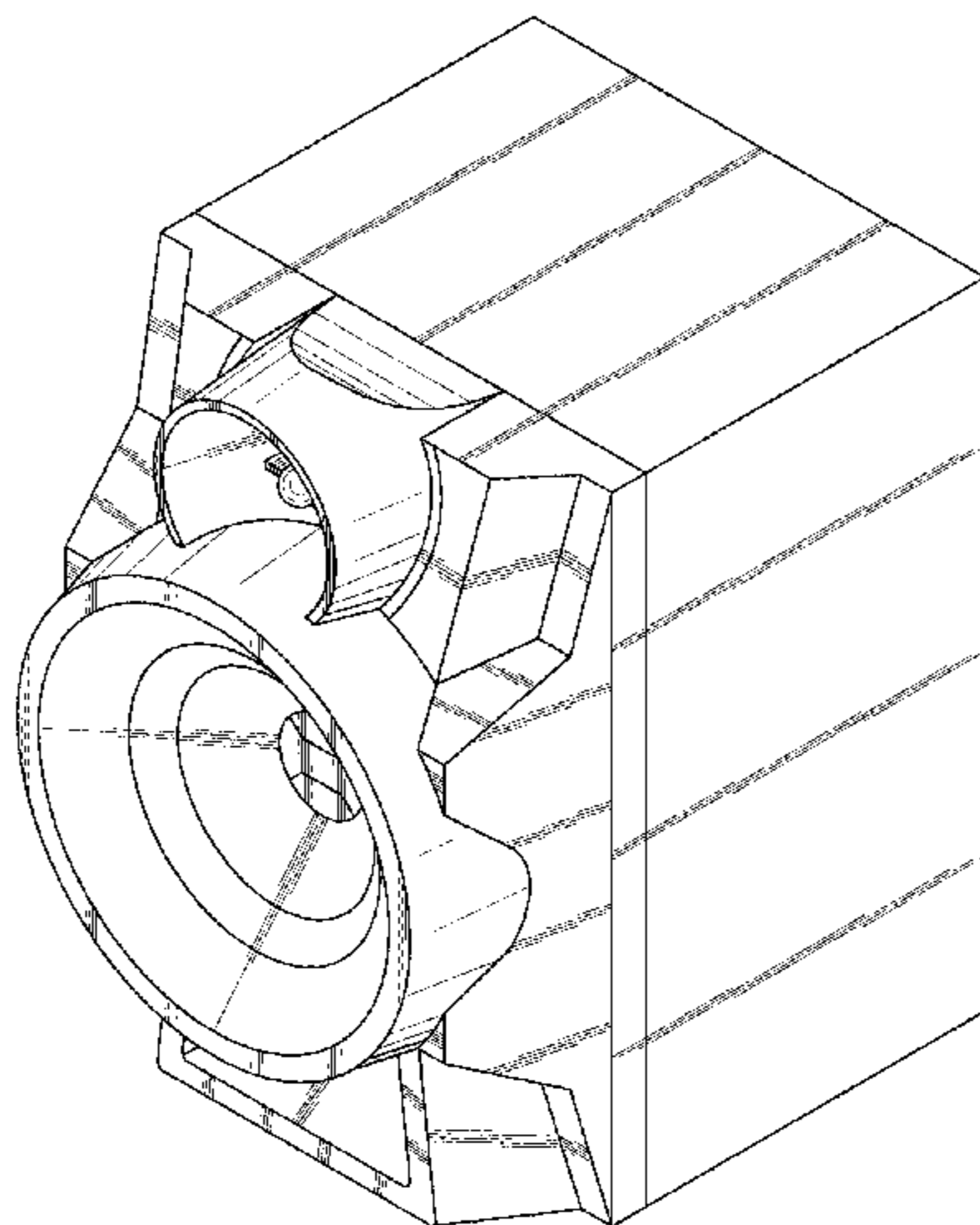
(57) **CLAIM**

The ornamental design for speaker, as shown and described.

DESCRIPTION

FIG. 1 is a top front perspective view of a speaker showing our new design;
FIG. 2 is a front elevational view thereof;
FIG. 3 is a rear elevational view thereof;
FIG. 4 is a left side elevational view thereof;
FIG. 5 is a right side elevational view thereof;
FIG. 6 is a top plan view thereof; and,
FIG. 7 is a bottom plan view thereof.

1 Claim, 7 Drawing Sheets



US D671,526 S

Page 2

U.S. PATENT DOCUMENTS

D579,003 S 10/2008 Kim et al.
D579,915 S 11/2008 Yeo
D583,801 S 12/2008 Son et al.
D584,286 S 1/2009 Kim
D584,288 S 1/2009 Kim
D586,781 S 2/2009 Kim
D586,782 S 2/2009 Kim
D586,785 S 2/2009 Kim
D587,237 S 2/2009 Son et al.
D588,103 S 3/2009 Lee et al.
D588,104 S 3/2009 Lee et al.
D588,576 S 3/2009 Son et al.
D591,269 S 4/2009 Kim et al.
D592,179 S 5/2009 Ichinose et al.
D593,068 S 5/2009 Kim et al.
D593,069 S 5/2009 Son et al.
D598,899 S 8/2009 Tkachuk
D615,963 S 5/2010 Cho et al.
D624,047 S 9/2010 Kim
D624,048 S 9/2010 Kim
D628,556 S 12/2010 Lee et al.
D629,388 S 12/2010 Son et al.
D631,868 S 2/2011 Chung
D634,302 S 3/2011 Chung et al.
D638,824 S * 5/2011 Hotta D14/215

FOREIGN PATENT DOCUMENTS

KR 3004602570000 8/2007
KR 3004608520000 8/2007

KR 3004659690000 10/2007
KR 3005005060000 7/2008
KR 3005992810000 5/2011
KR 3006052260000 7/2011
KR 3006060320000 7/2011
KR 3006063520000 7/2011
KR 3006067150000 7/2011
KR 3006067180000 7/2011
KR 3006067290000 7/2011
KR 3006067430000 7/2011
KR 3006067570000 7/2011
KR 3006076710000 8/2011

OTHER PUBLICATIONS

U.S. Appl. No. 29/393,944, Applicant: Yeon-Moo Chung, filed Jun. 10, 2011 entitled Speaker.
U.S. Appl. No. 29/393,985, Applicant: Lee, et al., filed Jun. 10, 2011 entitled Speaker.
U.S. Appl. No. 29/393,986, Applicant: Lee, et al., filed Jun. 10, 2011 entitled Speaker.
U.S. Appl. No. 29/393,914, Applicant: Lee, et al., filed Jun. 10, 2011 entitled Speaker.
U.S. Appl. No. 29/315,569, Applicant: Jin-Wook Kim, filed Jul. 6, 2009 entitled Mini Audio.
U.S. Appl. No. 29/315,570, Applicant: Jin-Wook Kim, filed Jul. 6, 2009 entitled Mini Audio.
U.S. Appl. No. 29/348,969, Applicant: Kim, et al., filed Feb. 25, 2010 entitled Home Theater.

* cited by examiner

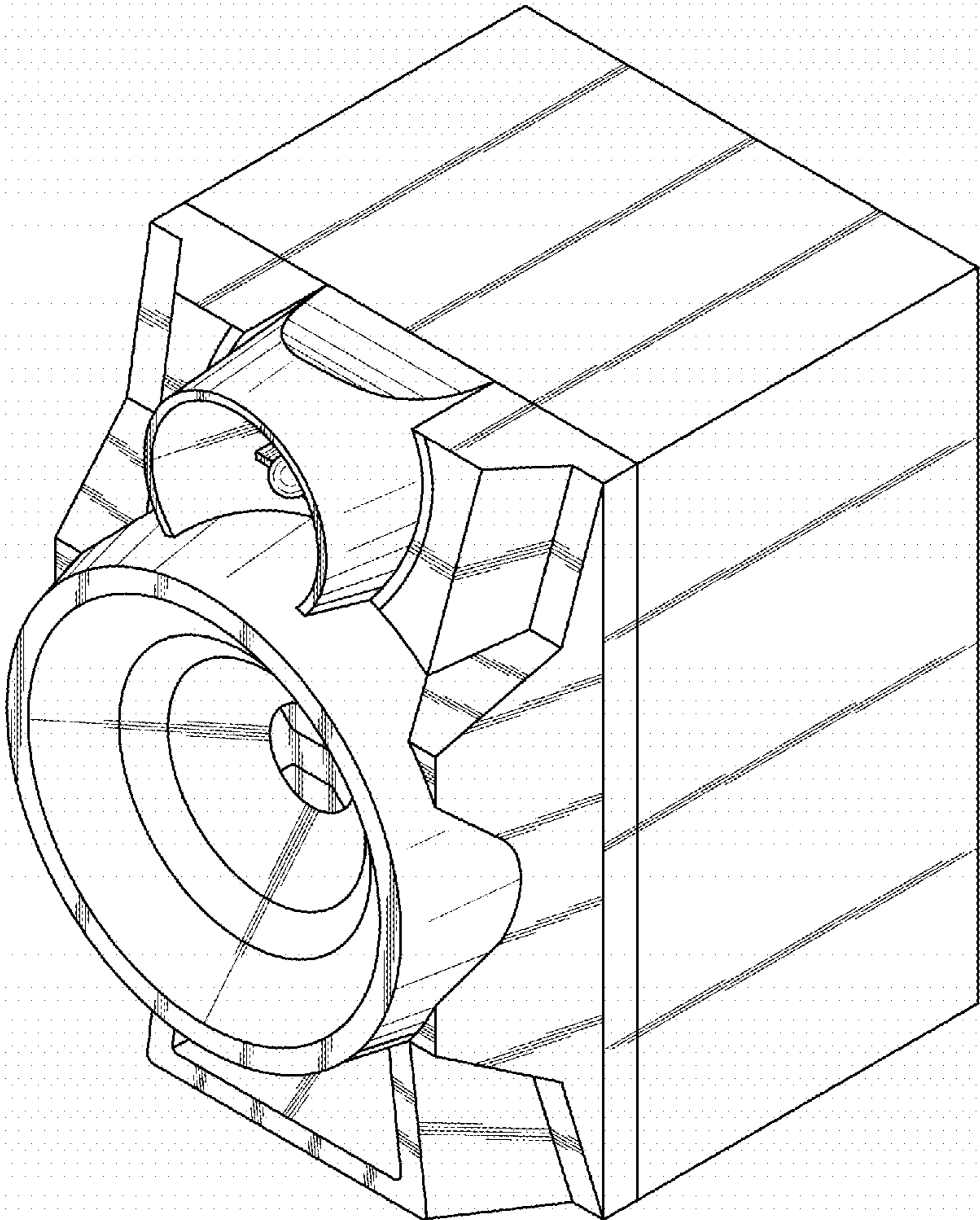


FIG.1

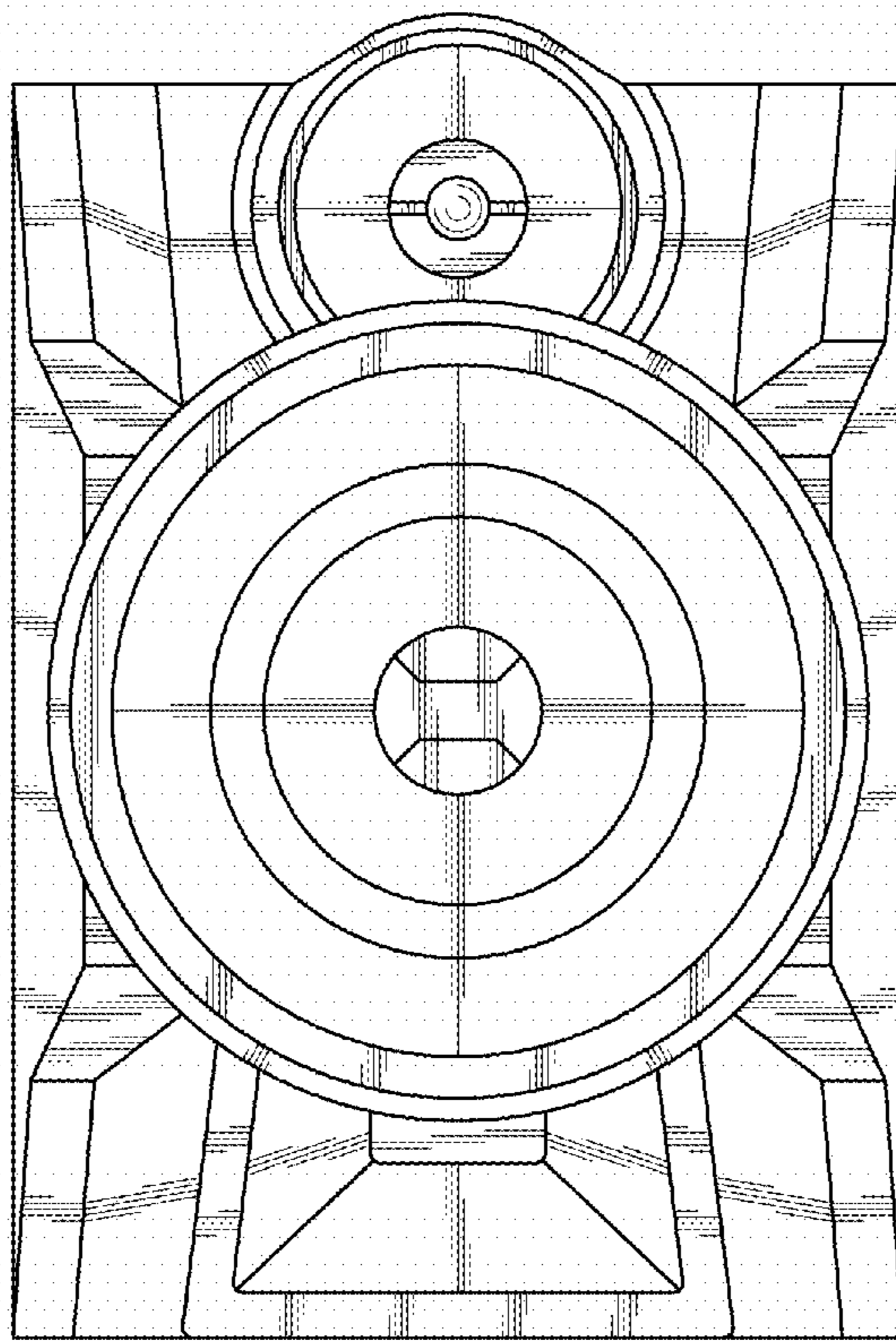


FIG.2

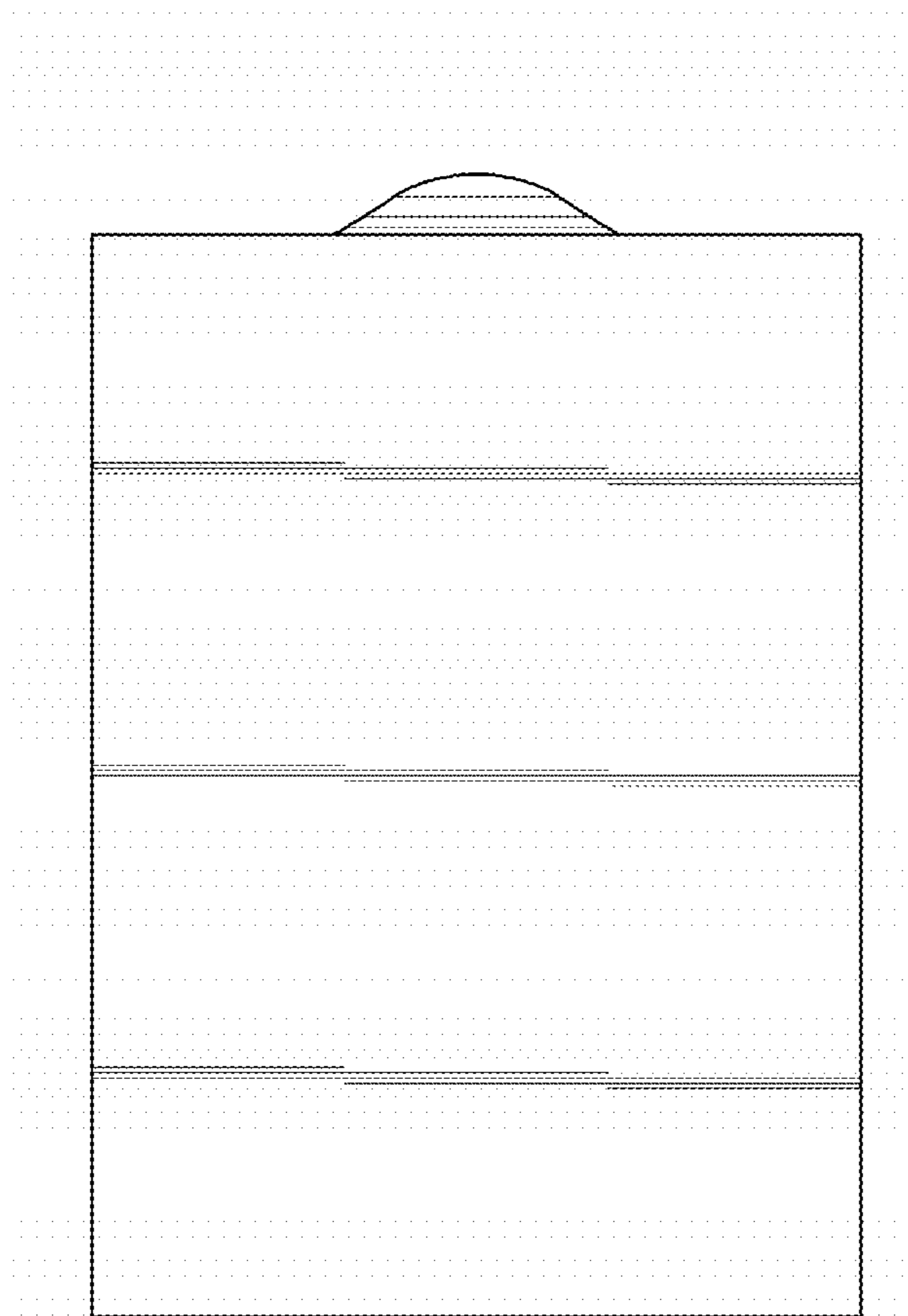


FIG.3

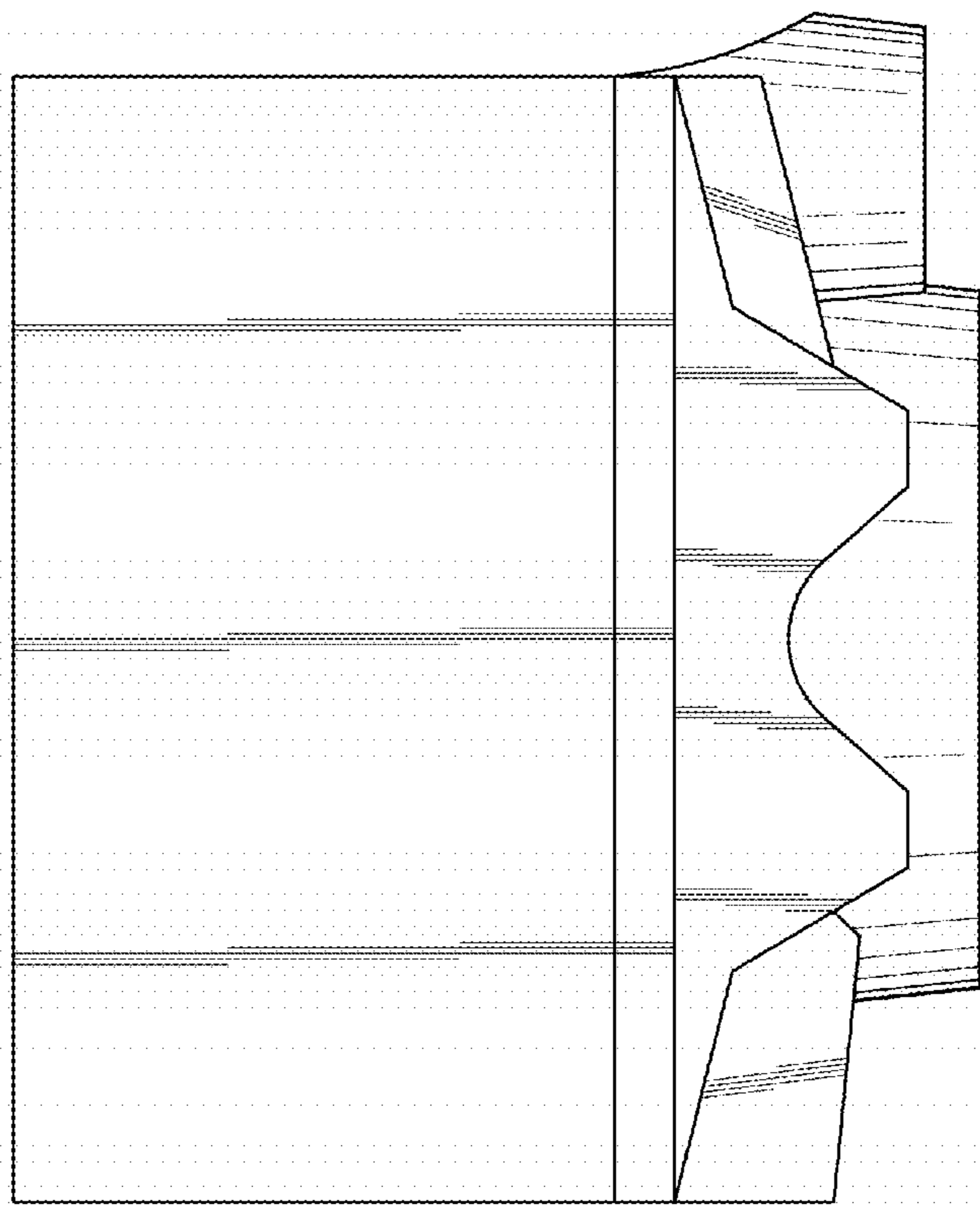


FIG.4

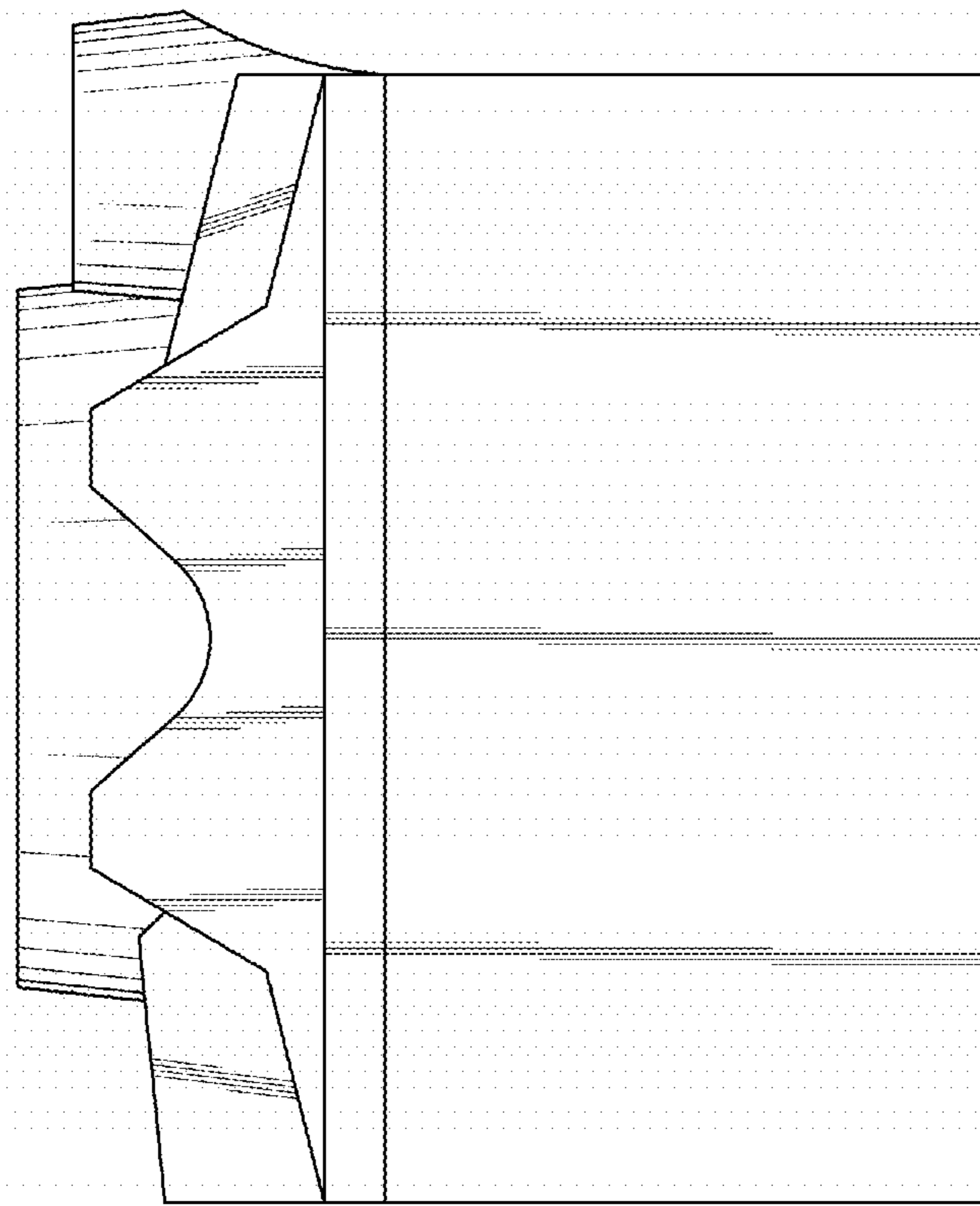


FIG.5

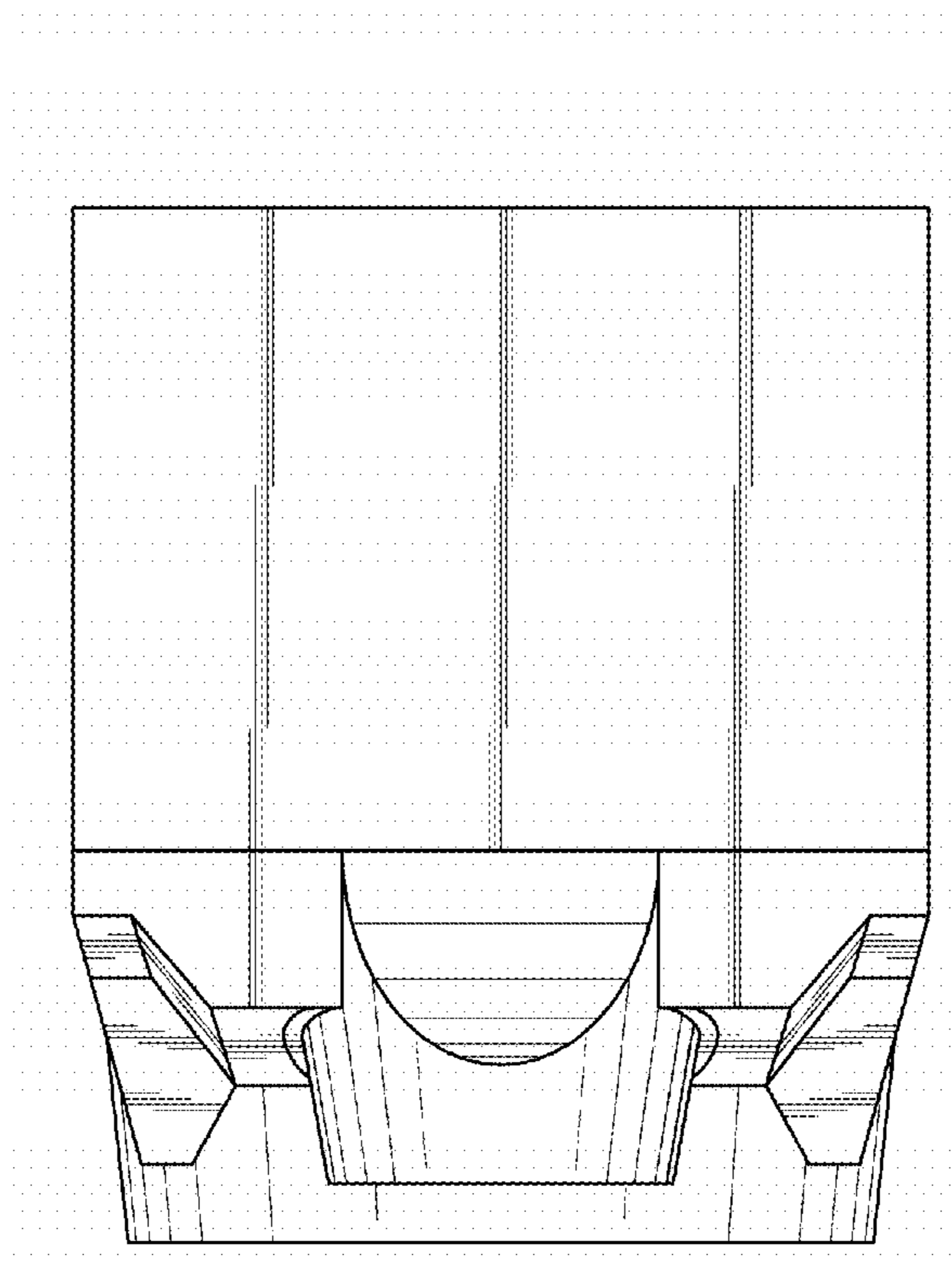


FIG.6

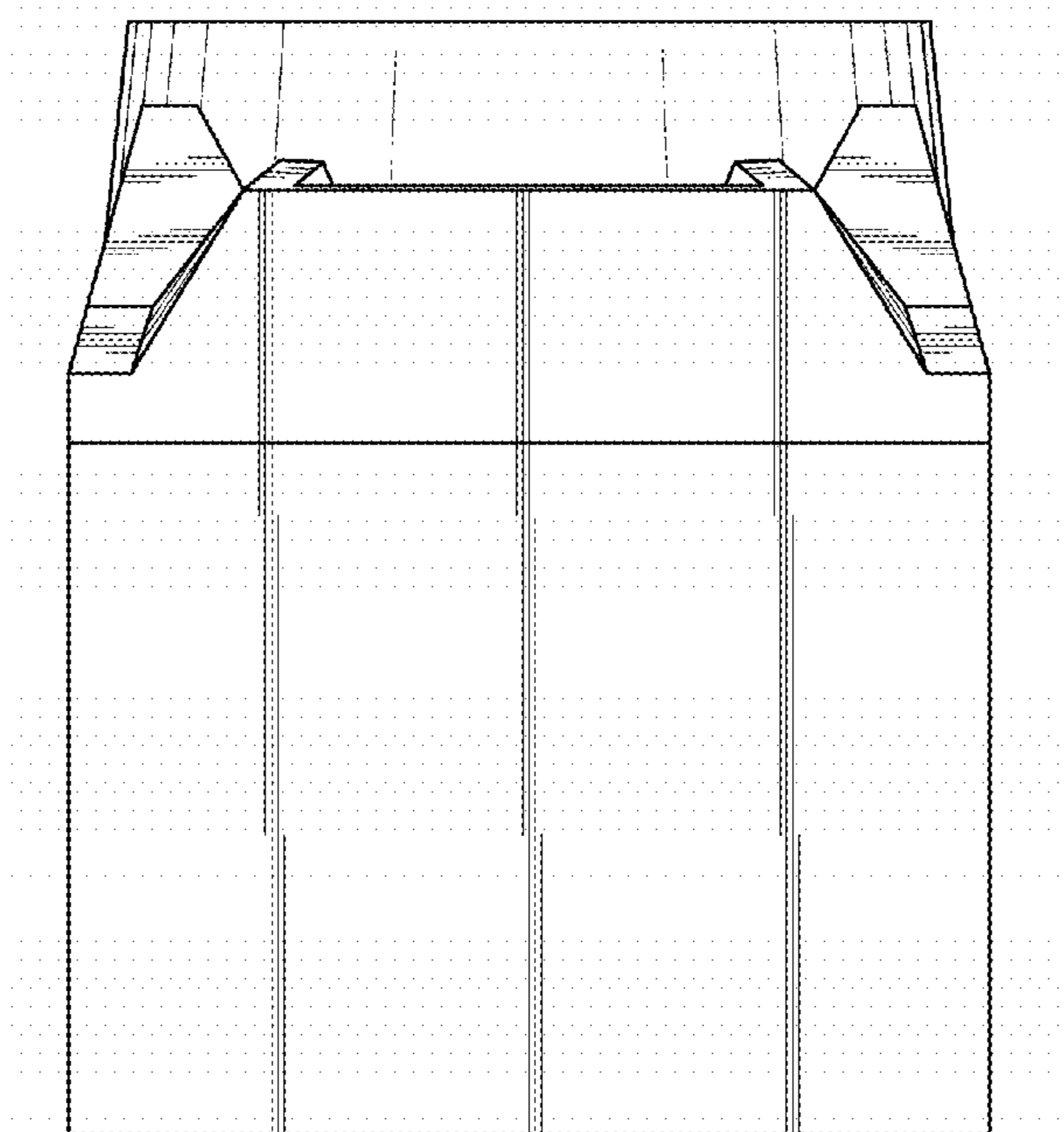


FIG.7