



US00D671522S

(12) **United States Design Patent**
Lee et al.

(10) **Patent No.:** **US D671,522 S**

(45) **Date of Patent:** **** *Nov. 27, 2012**

(54) **PAIR OF HEADPHONES**

(75) Inventors: **Noel Lee**, Las Vegas, NV (US); **Jacky Hsiung**, San Jose, CA (US)

(73) Assignee: **Monster Cable Products, Inc.**,
Brisbane, CA (US)

(*) Notice: This patent is subject to a terminal disclaimer.

(**) Term: **14 Years**

(21) Appl. No.: **29/369,169**

(22) Filed: **Sep. 2, 2010**

(51) **LOC (9) Cl.** **14-01**

(52) **U.S. Cl.** **D14/205**

(58) **Field of Classification Search** D14/205,
D14/206, 223; D29/112; 2/209; 181/129,
181/130, 135; 379/430, 431; 381/380, 381;
455/90.3, 575.1

See application file for complete search history.

(56) **References Cited**

U.S. PATENT DOCUMENTS

5,095,382	A	*	3/1992	Abe	398/202
D328,074	S	*	7/1992	Yamazaki et al.	D14/205
D338,010	S	*	8/1993	Yamatogi	D14/205
D345,162	S	*	3/1994	Yamatogi	D14/205
D345,163	S	*	3/1994	Yamatogi	D14/205
D351,172	S	*	10/1994	Nakamura et al.	D14/205
D358,389	S	*	5/1995	Isono	D14/205
D381,987	S	*	8/1997	Tsuge	D14/205
D386,181	S	*	11/1997	Fisher	D14/205
D422,592	S	*	4/2000	Deguchi	D14/205

D430,140	S	*	8/2000	Roman	D14/205
D457,874	S	*	5/2002	Yoneda	D14/205
D512,981	S	*	12/2005	Jacobson et al.	D14/205
D534,155	S	*	12/2006	Obata	D14/205
D552,077	S	*	10/2007	Brunner et al.	D14/205
D594,441	S		6/2009	Lee et al.		
D598,901	S		8/2009	Lee et al.		
D599,781	S		9/2009	Lee et al.		
D600,675	S		9/2009	Lee et al.		
D632,668	S	*	2/2011	Brunner et al.	D14/205
D652,405	S	*	1/2012	Lee et al.	D14/205
D652,406	S	*	1/2012	Lee et al.	D14/205
D657,344	S	*	4/2012	Brunner et al.	D14/205

* cited by examiner

Primary Examiner — Paula Greene

(74) *Attorney, Agent, or Firm* — LaRiviere, Grubman & Payne, LLP

(57) **CLAIM**

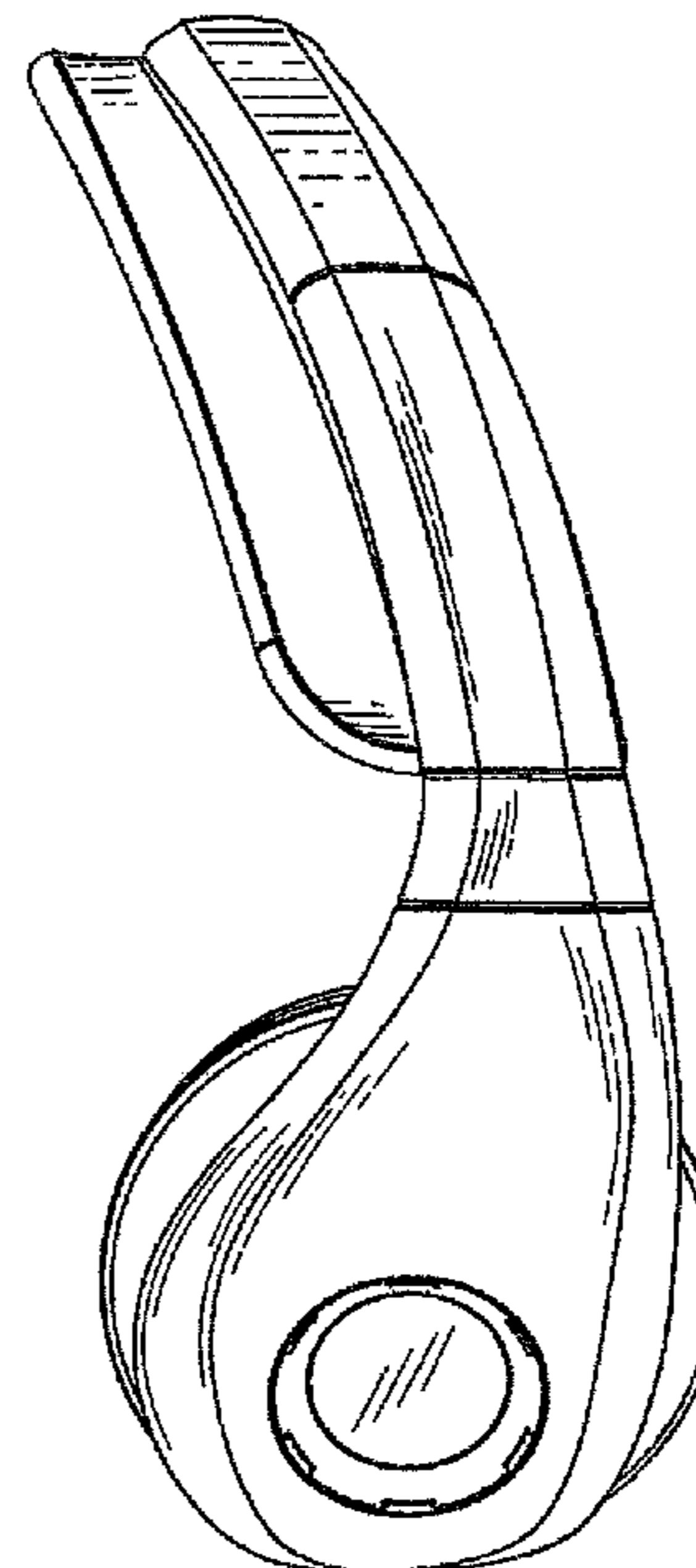
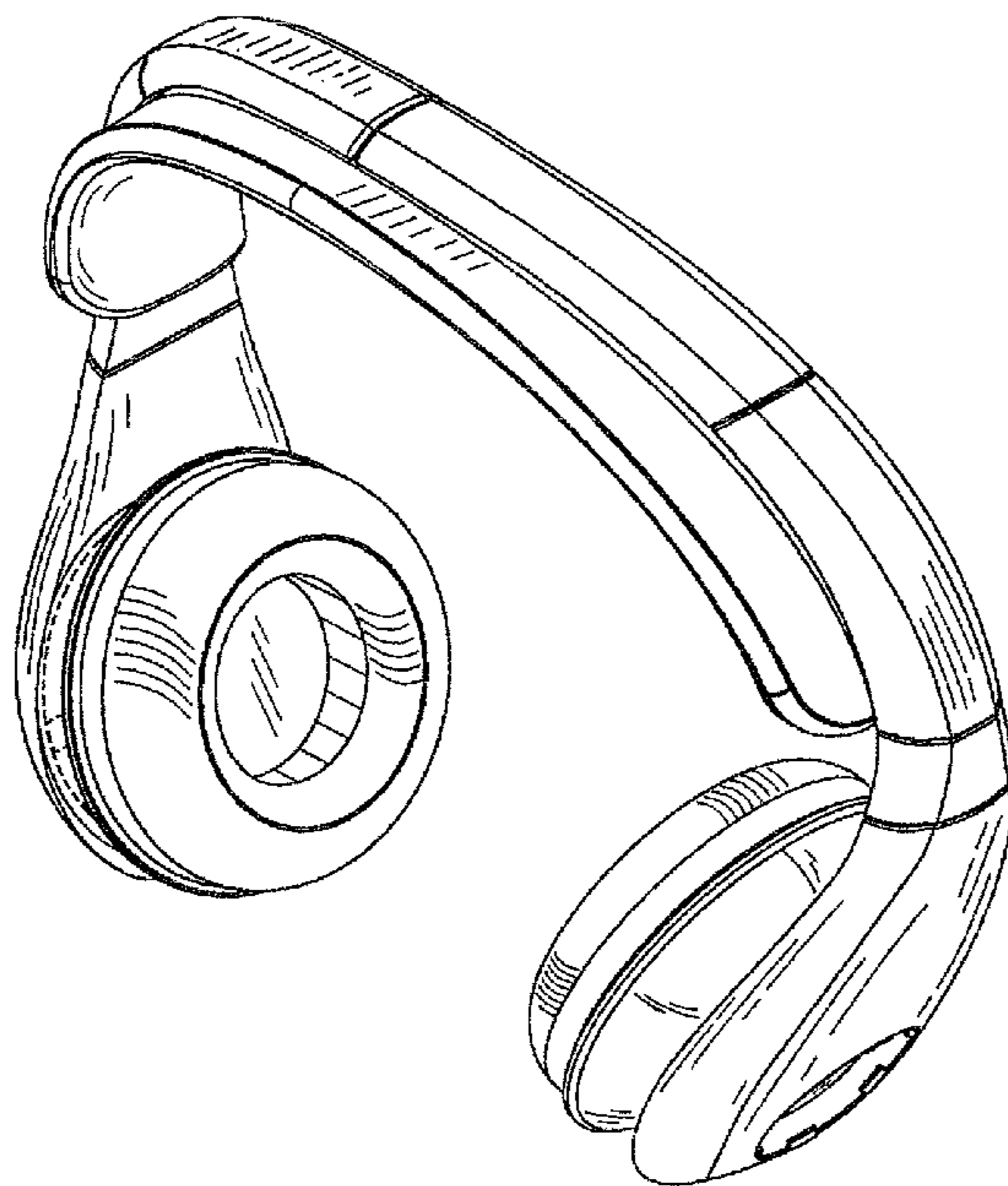
The ornamental design for a pair of headphones, as shown and described.

DESCRIPTION

FIG. 1 is a perspective view of a pair of headphones, showing our design;
FIG. 2 is an opposing perspective view thereof;
FIG. 3 is a front view thereof;
FIG. 4 is a rear view thereof;
FIG. 5 is a side view thereof;
FIG. 6 is an opposing side view thereof;
FIG. 7 is a top view thereof; and,
FIG. 8 is a bottom view thereof.

The broken lines showing the environment are for illustrative purposes only and form no part of the claimed design.

1 Claim, 6 Drawing Sheets



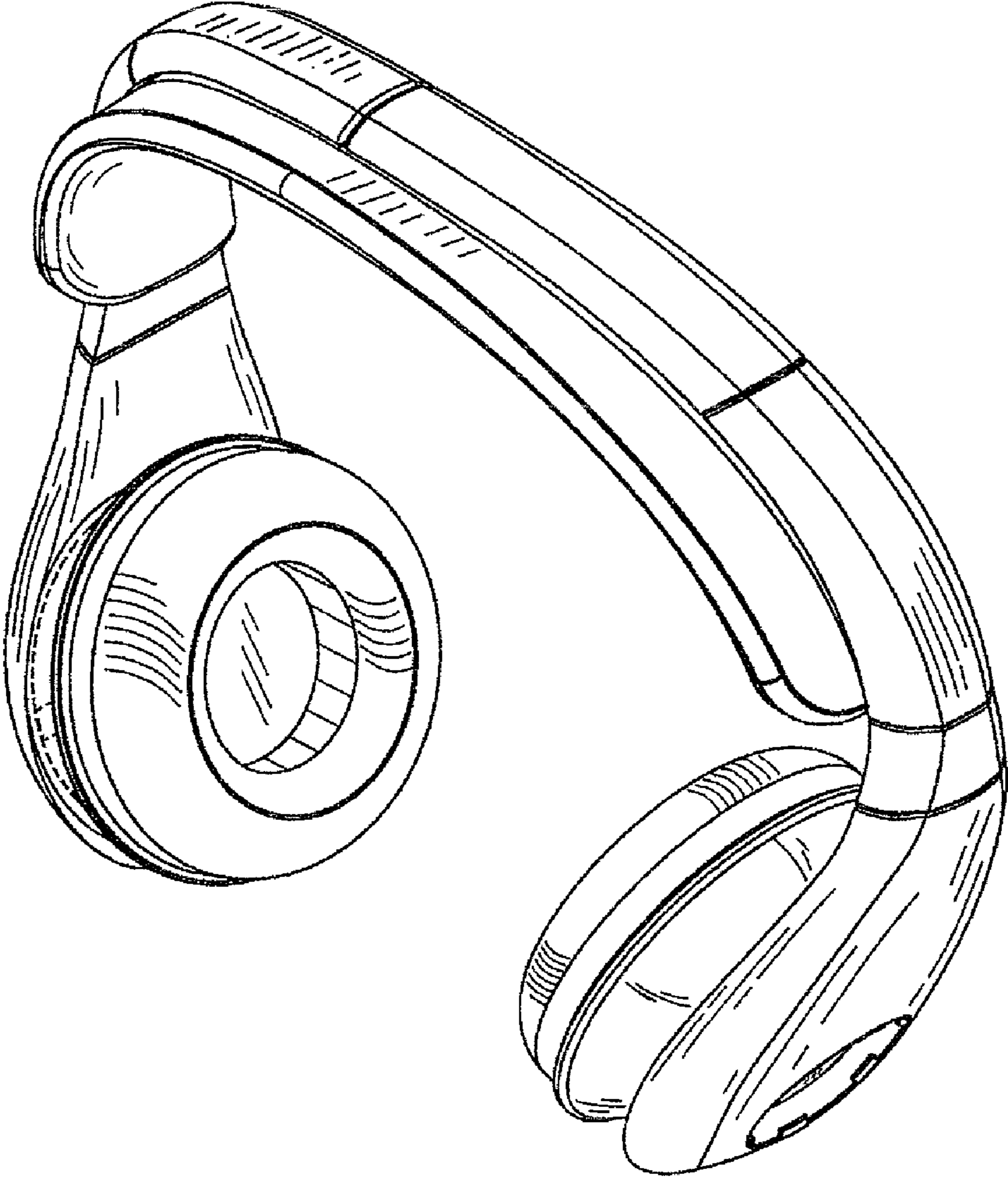


Figure 1



Figure 2

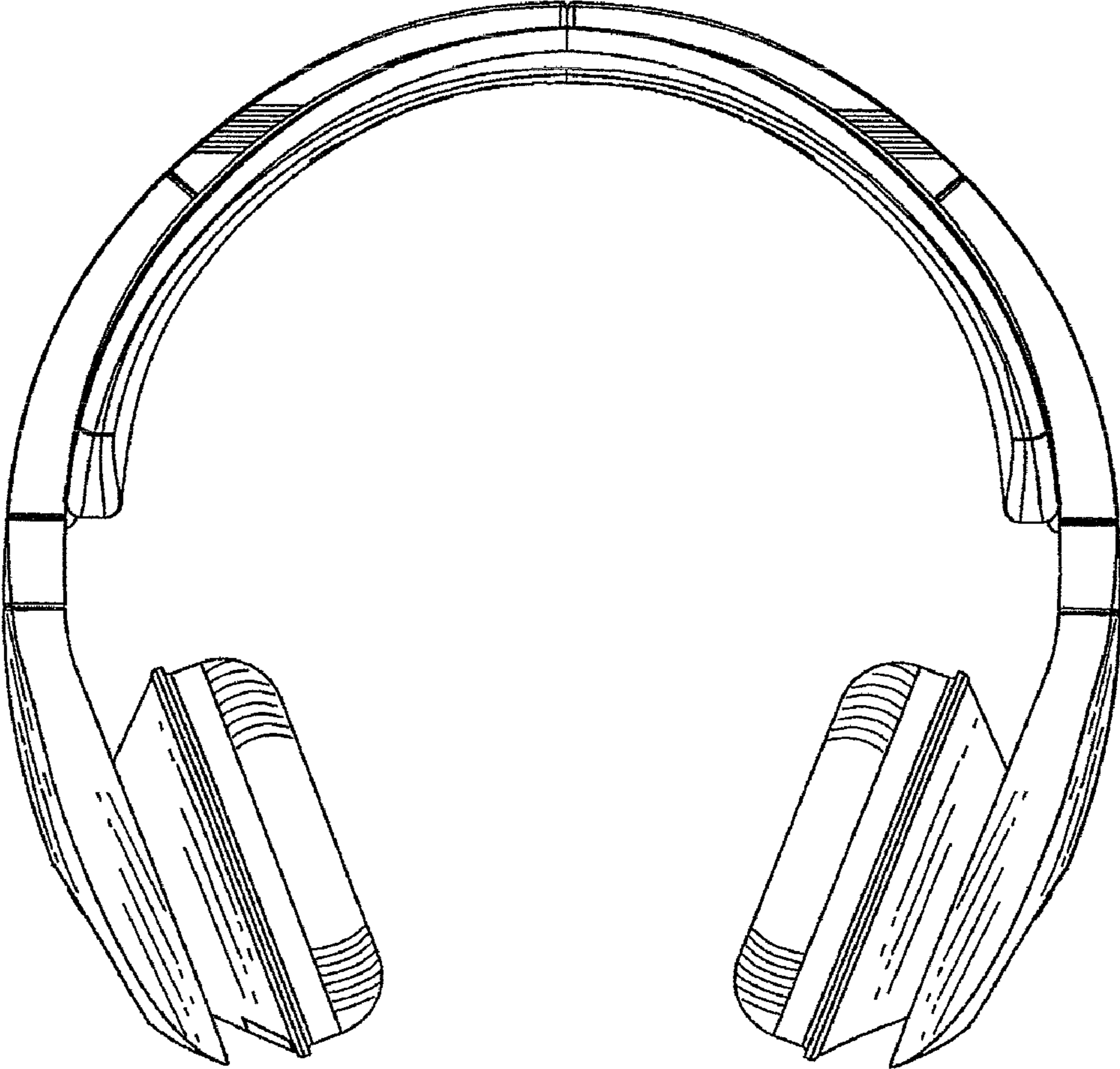


Figure 3

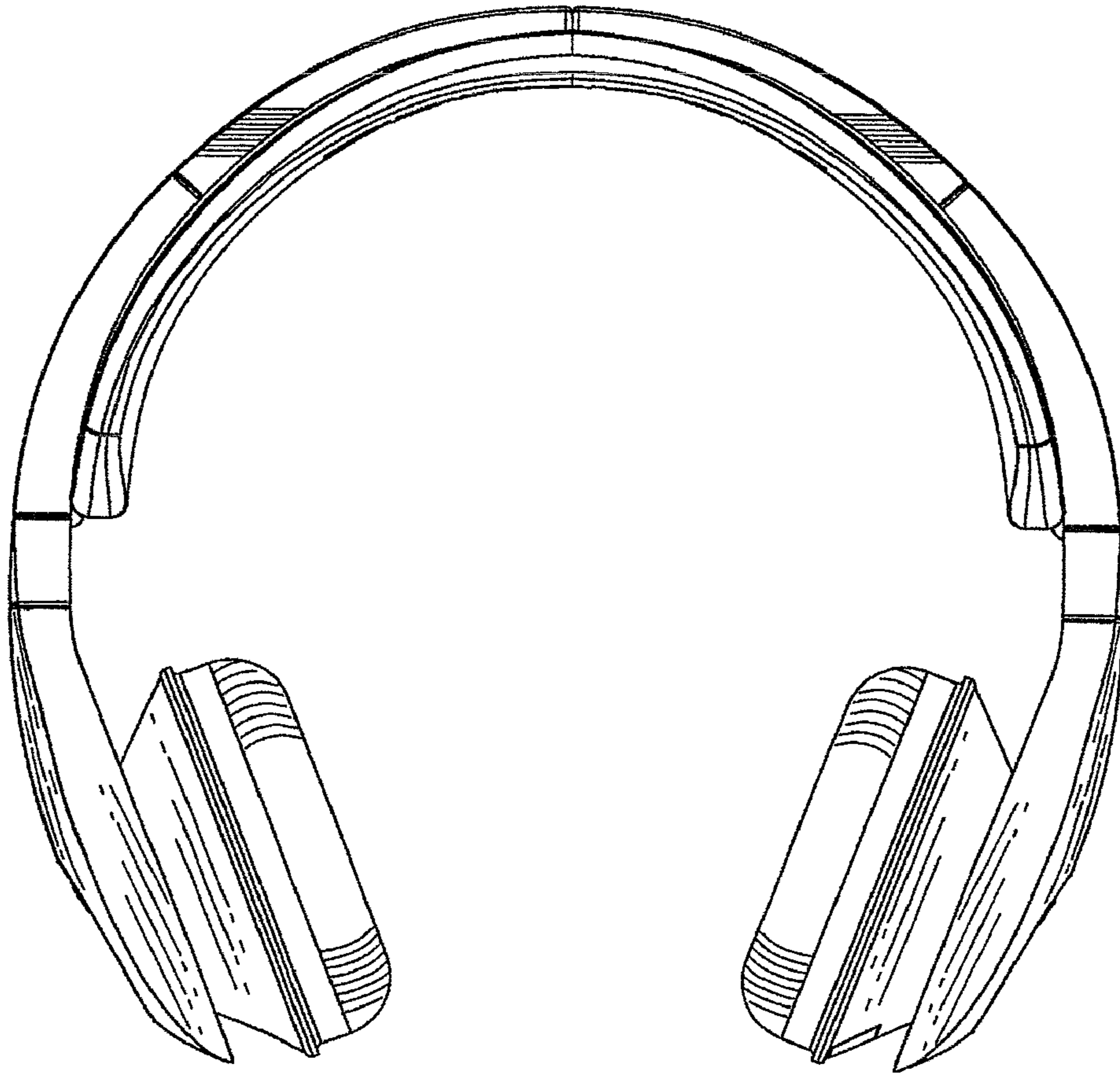


Figure 4

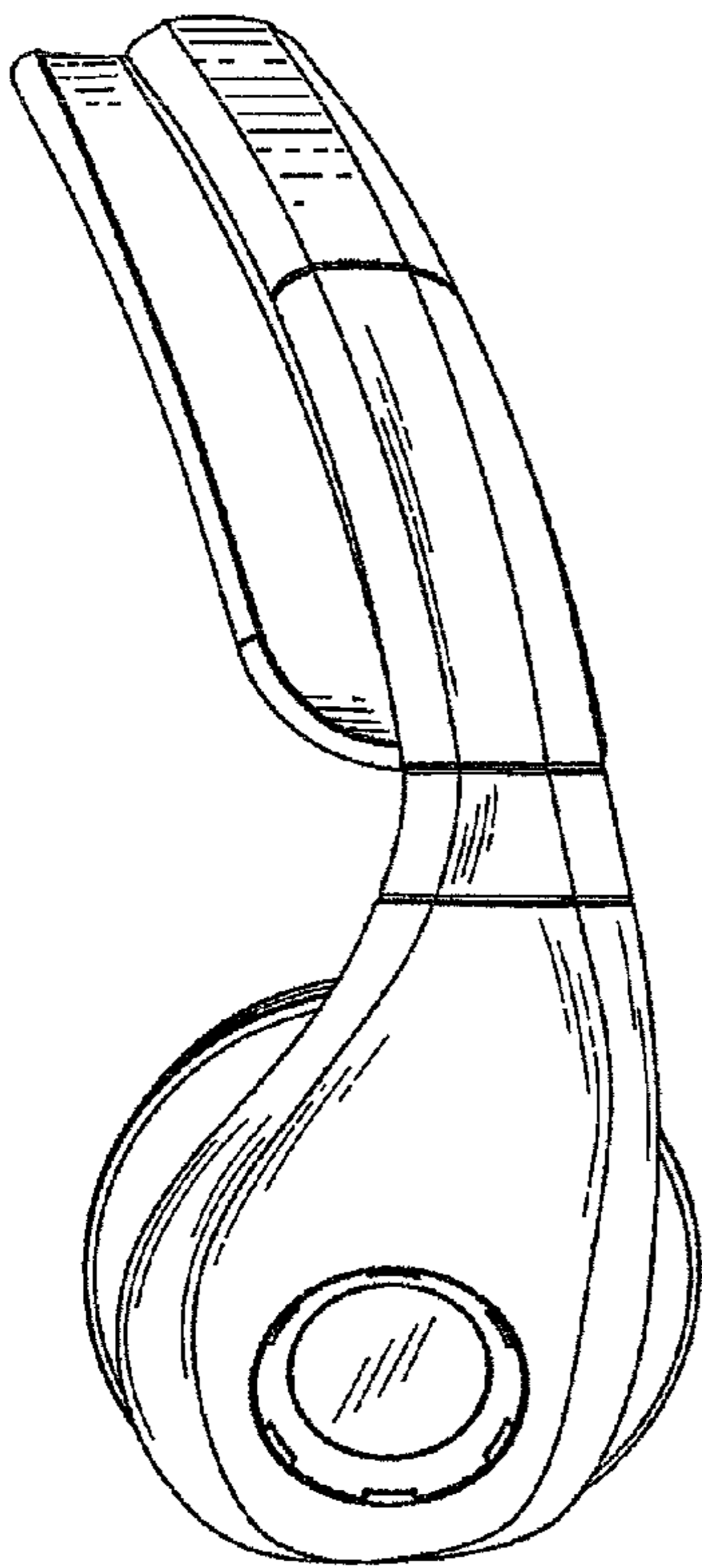


Figure 5

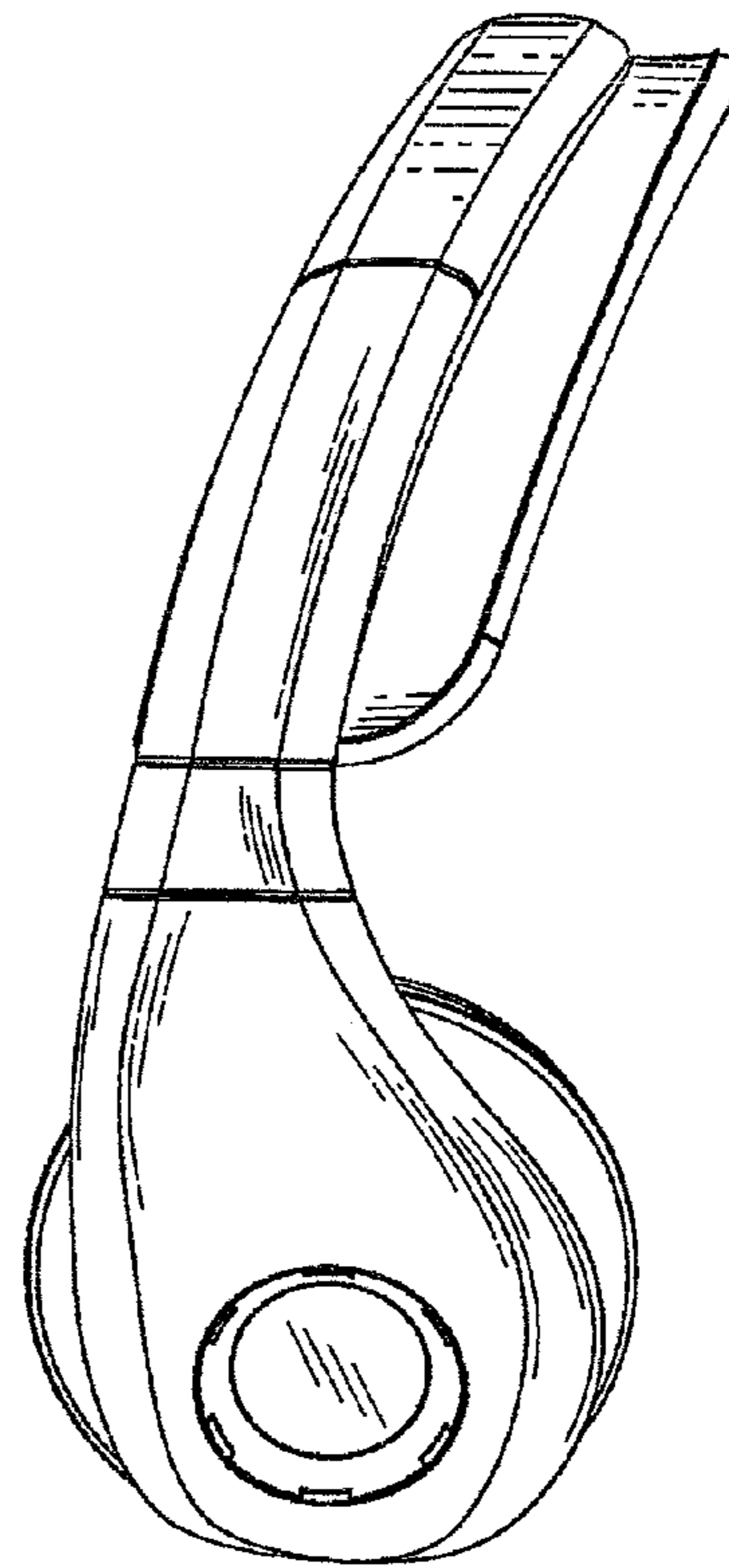


Figure 6

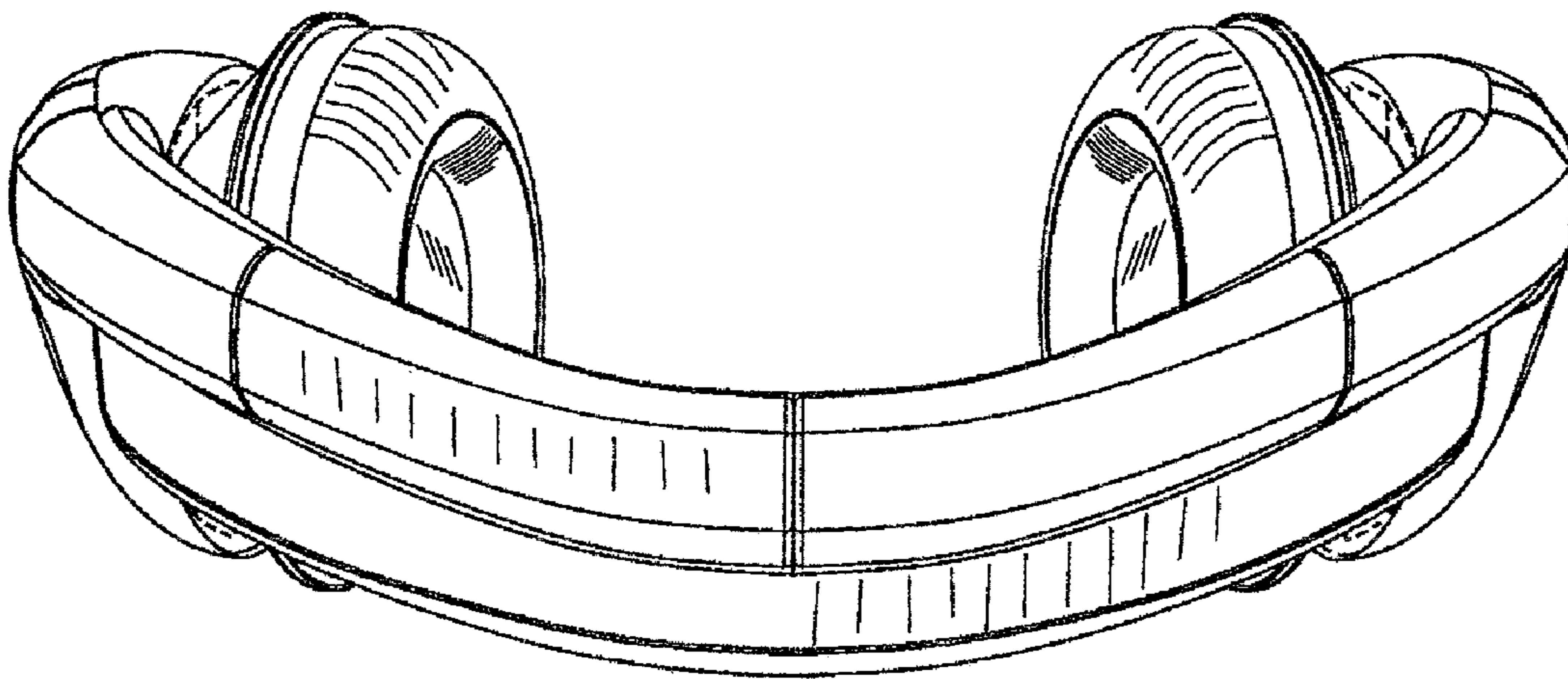


Figure 7

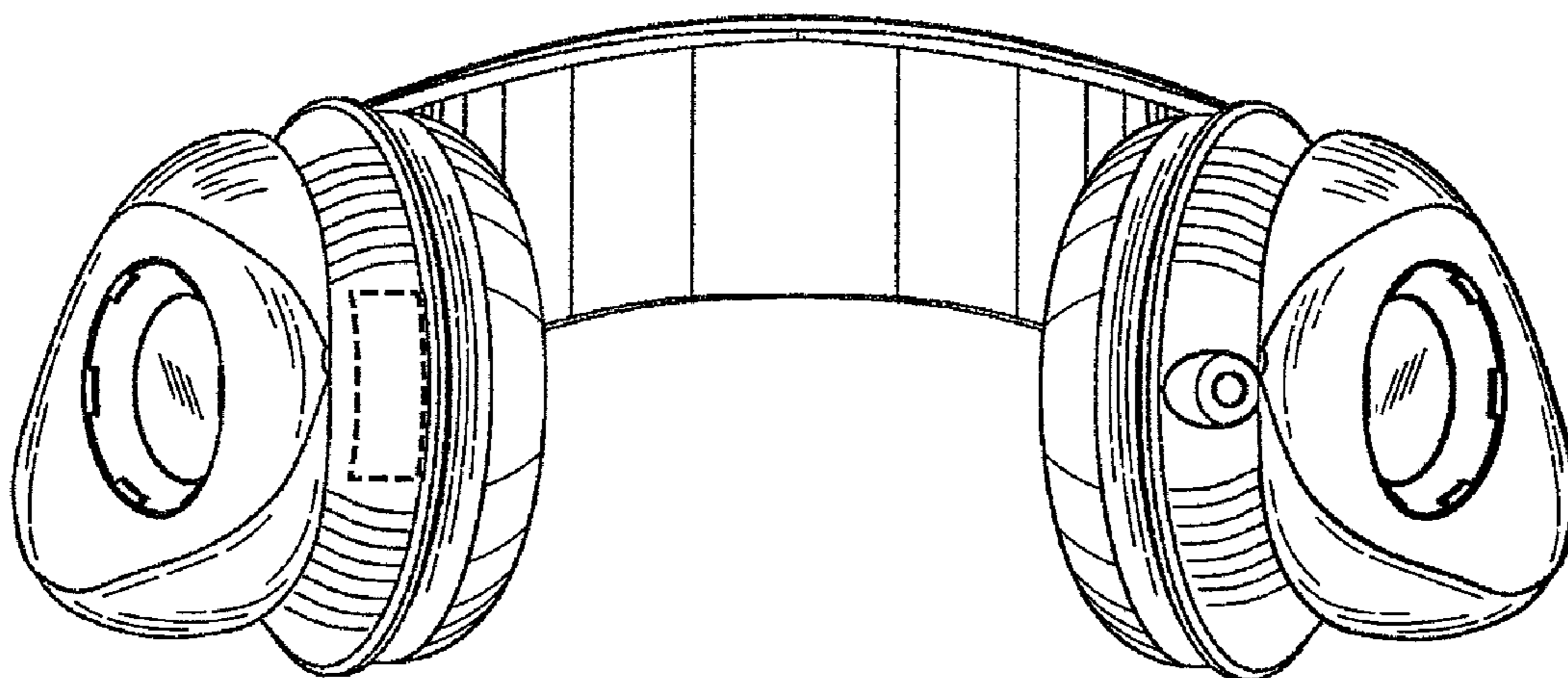


Figure 8