



US00D671521S

(12) **United States Design Patent**
Song et al.

(10) **Patent No.:** **US D671,521 S**

(45) **Date of Patent:** **** Nov. 27, 2012**

(54) **COMBINED AUDIO PLAYER AND CLOCK RADIO**

(75) Inventors: **Xiaofeng Song**, Shanghai (CN);
Zhongsheng Hong, Shanghai (CN)

(73) Assignee: **Sony Corporation**, Tokyo (JP)

(**) Term: **14 Years**

(21) Appl. No.: **29/347,867**

(22) Filed: **Jun. 30, 2010**

(30) **Foreign Application Priority Data**

Dec. 30, 2009 (CN) 2009 3 0385964

(51) **LOC (9) Cl.** **14-01**

(52) **U.S. Cl.** **D14/168**

(58) **Field of Classification Search** D14/156,
D14/160-165, 170, 171, 168, 188, 193-198;
D10/1, 2, 15, 128; 455/91, 95, 128, 344-351;
369/6-12, 75.11, 75.21, 77.11, 77.21

See application file for complete search history.

(56) **References Cited**

U.S. PATENT DOCUMENTS

D241,977 S * 10/1976 Makino et al. D14/171
D430,135 S * 8/2000 Isonaga D14/168
D449,589 S 10/2001 Ishibashi et al.
D450,063 S * 11/2001 Bentley D15/13
D454,856 S * 3/2002 Kobayashi D14/168
D499,715 S 12/2004 Zeitman
D525,536 S * 7/2006 Chan D10/2

D532,817 S 11/2006 Ishii
D533,864 S * 12/2006 Yokoyama D14/168
D542,772 S 5/2007 Shimizu
7,239,237 B2 * 7/2007 Hess 340/539.1
D549,212 S * 8/2007 Wada D14/171
D556,185 S 11/2007 Motoishi
D560,657 S * 1/2008 Langberg et al. D14/214
D565,536 S 4/2008 Obata
D581,392 S 11/2008 Zheng
D599,322 S 9/2009 Zheng
D601,998 S 10/2009 Zheng
7,710,831 B2 * 5/2010 Driska 368/10
8,194,507 B2 * 6/2012 Mills 368/83
8,195,114 B2 * 6/2012 Krampf et al. 455/154.1

* cited by examiner

Primary Examiner — Prabhakar Deshmukh

(74) *Attorney, Agent, or Firm* — Rader, Fishman & Grauer PLLC

(57) **CLAIM**

The ornamental design for a combined audio player and clock radio, as shown.

DESCRIPTION

FIG. 1 is a perspective view of a combined audio payer and clock radio showing our new design;
FIG. 2 is a front elevational view thereof;
FIG. 3 is a rear elevational view thereof;
FIG. 4 is a left side elevational view thereof;
FIG. 5 is a right side elevational view thereof;
FIG. 6 is a top plan view thereof; and,
FIG. 7 is a bottom plan view thereof.

1 Claim, 7 Drawing Sheets

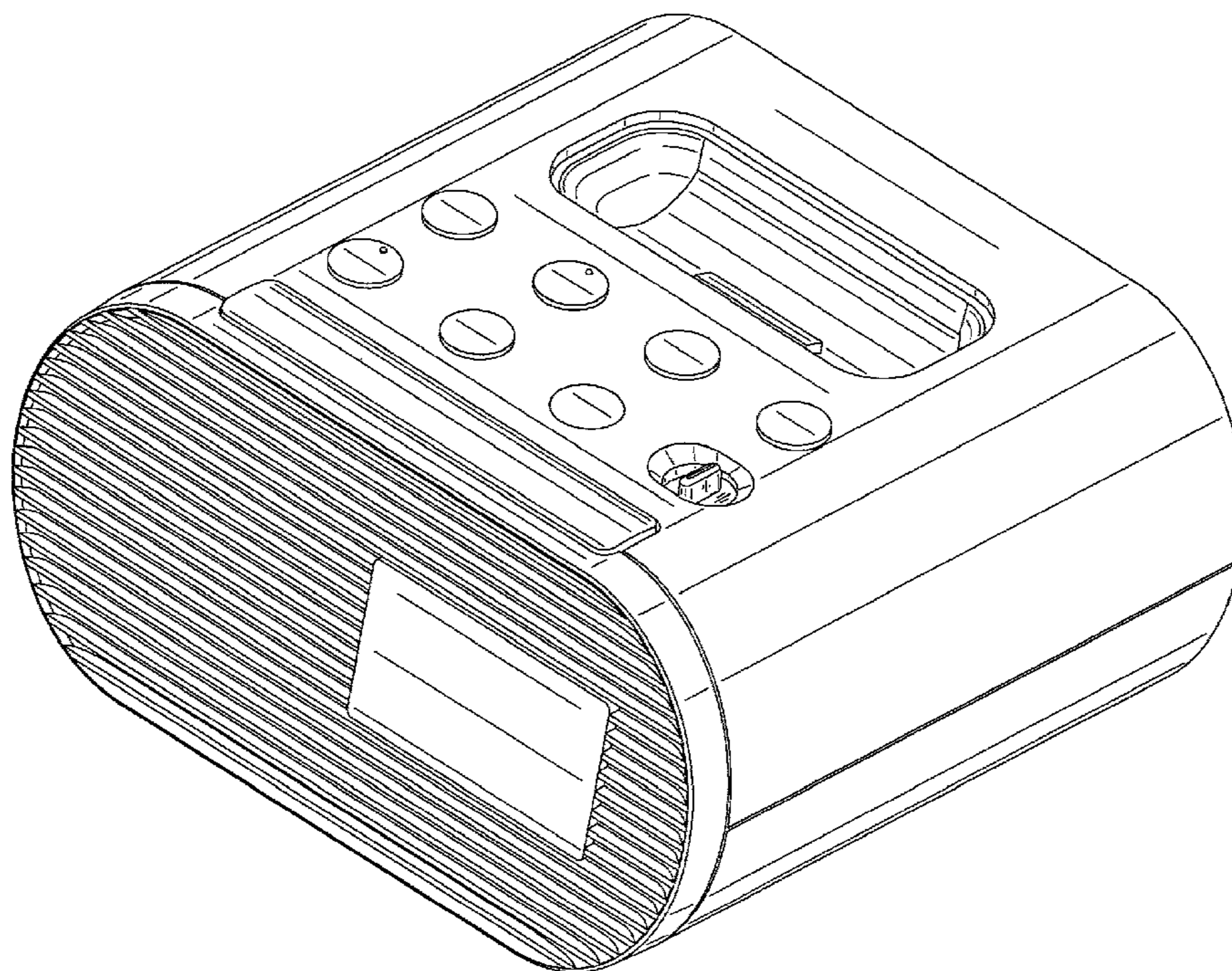


FIG.1

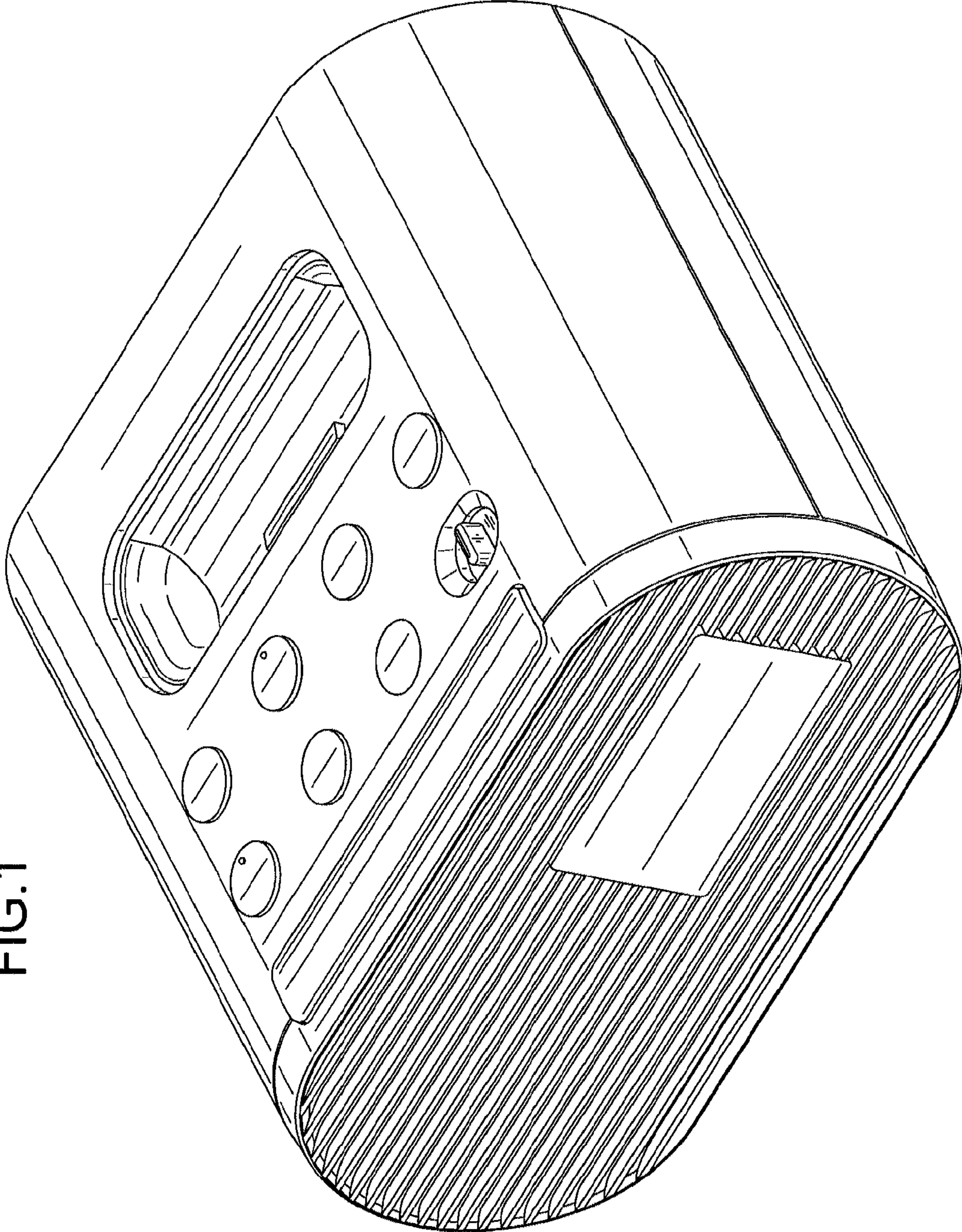


FIG.2

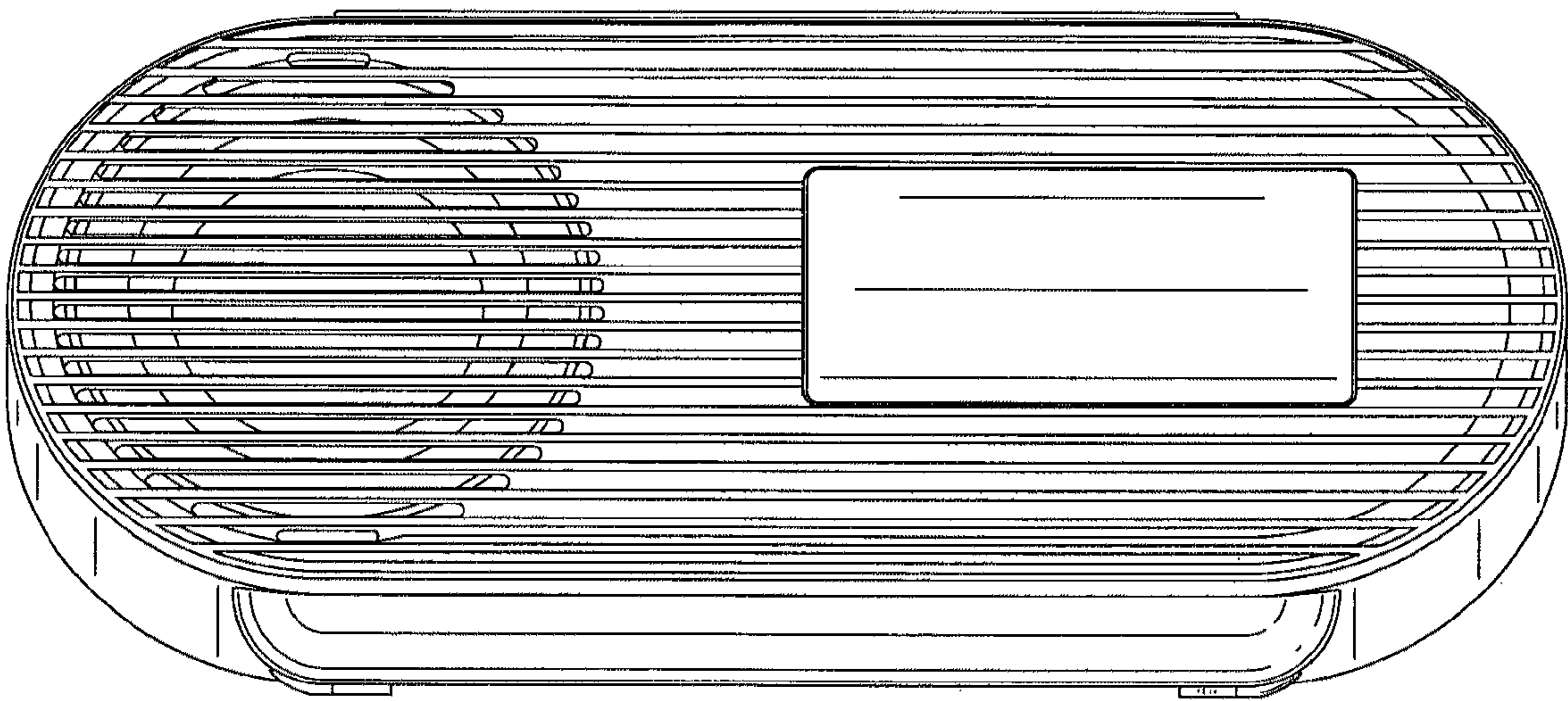


FIG.3

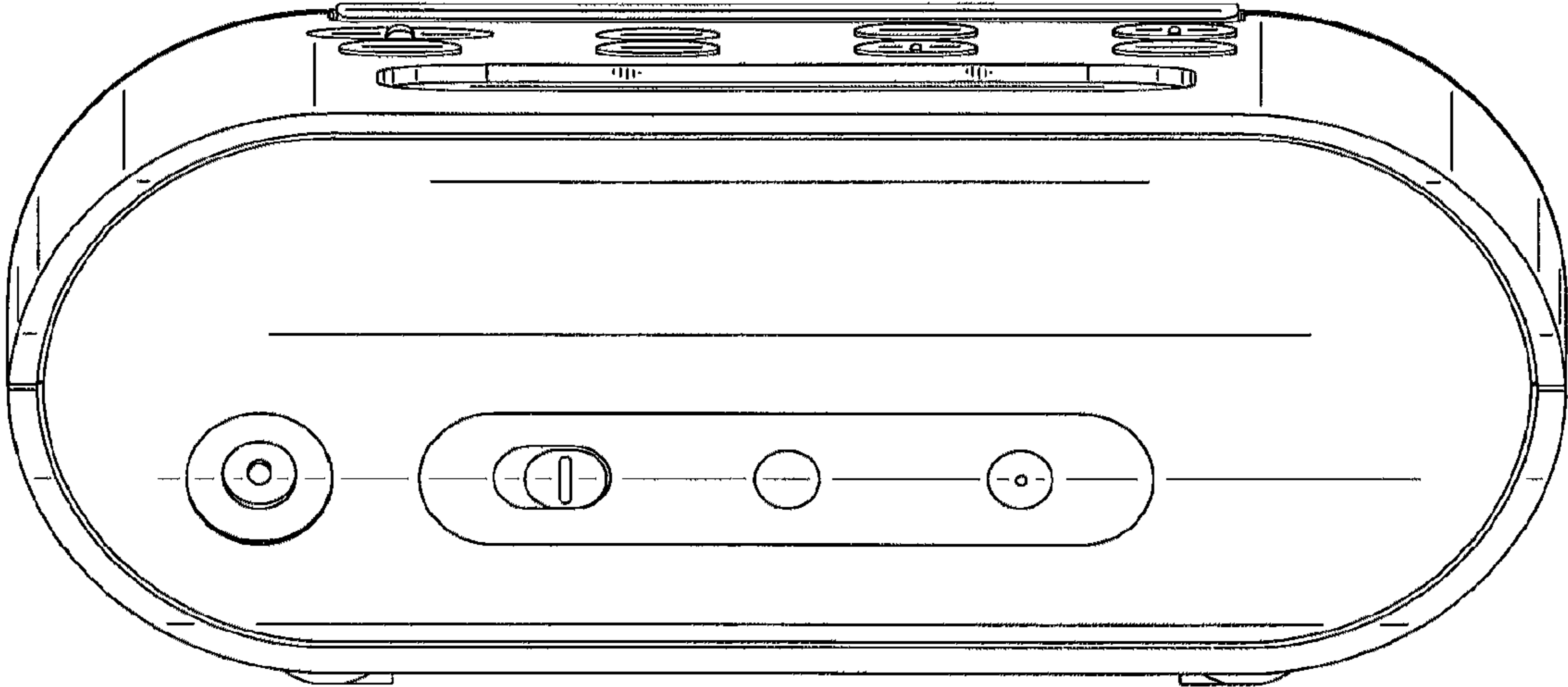


FIG.4

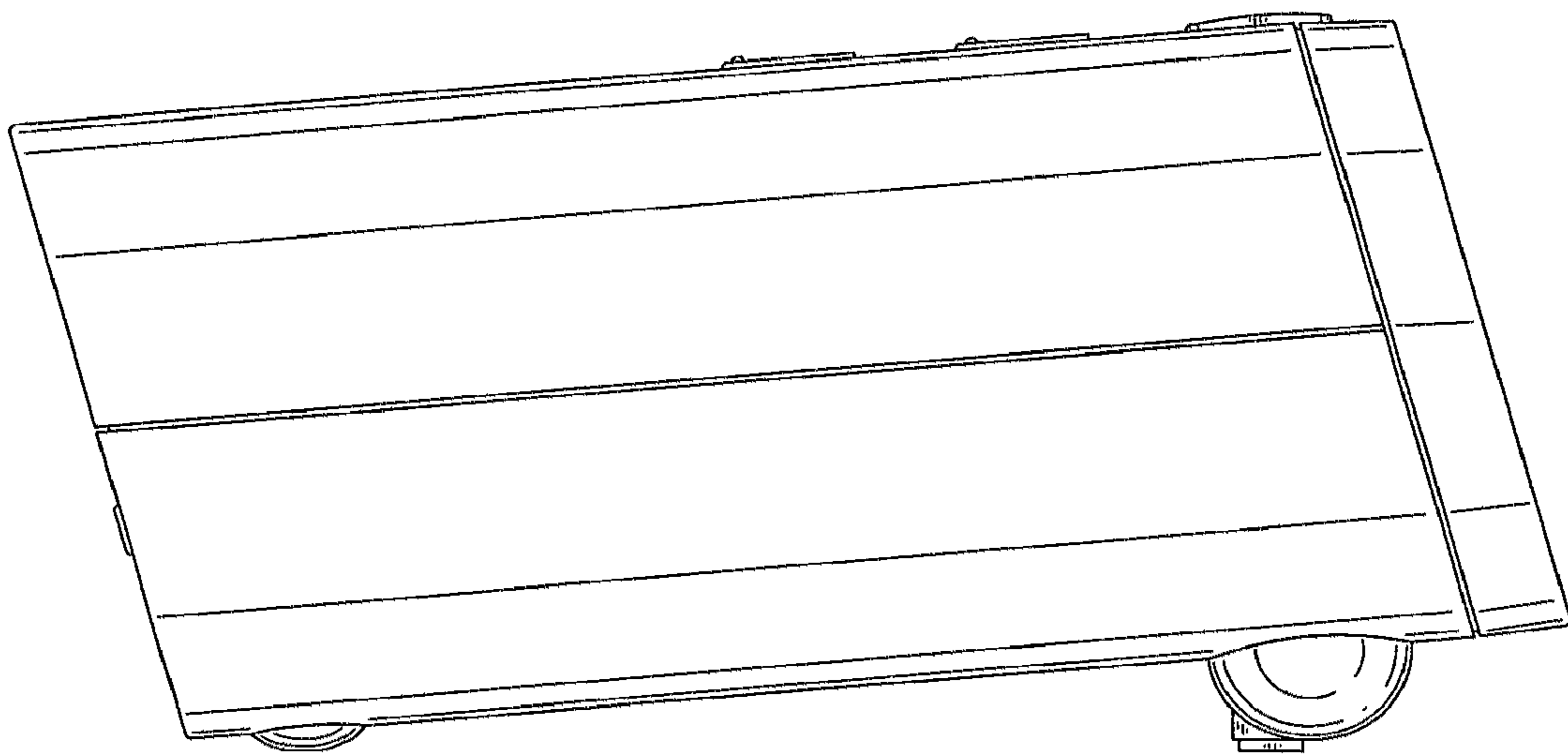


FIG.5

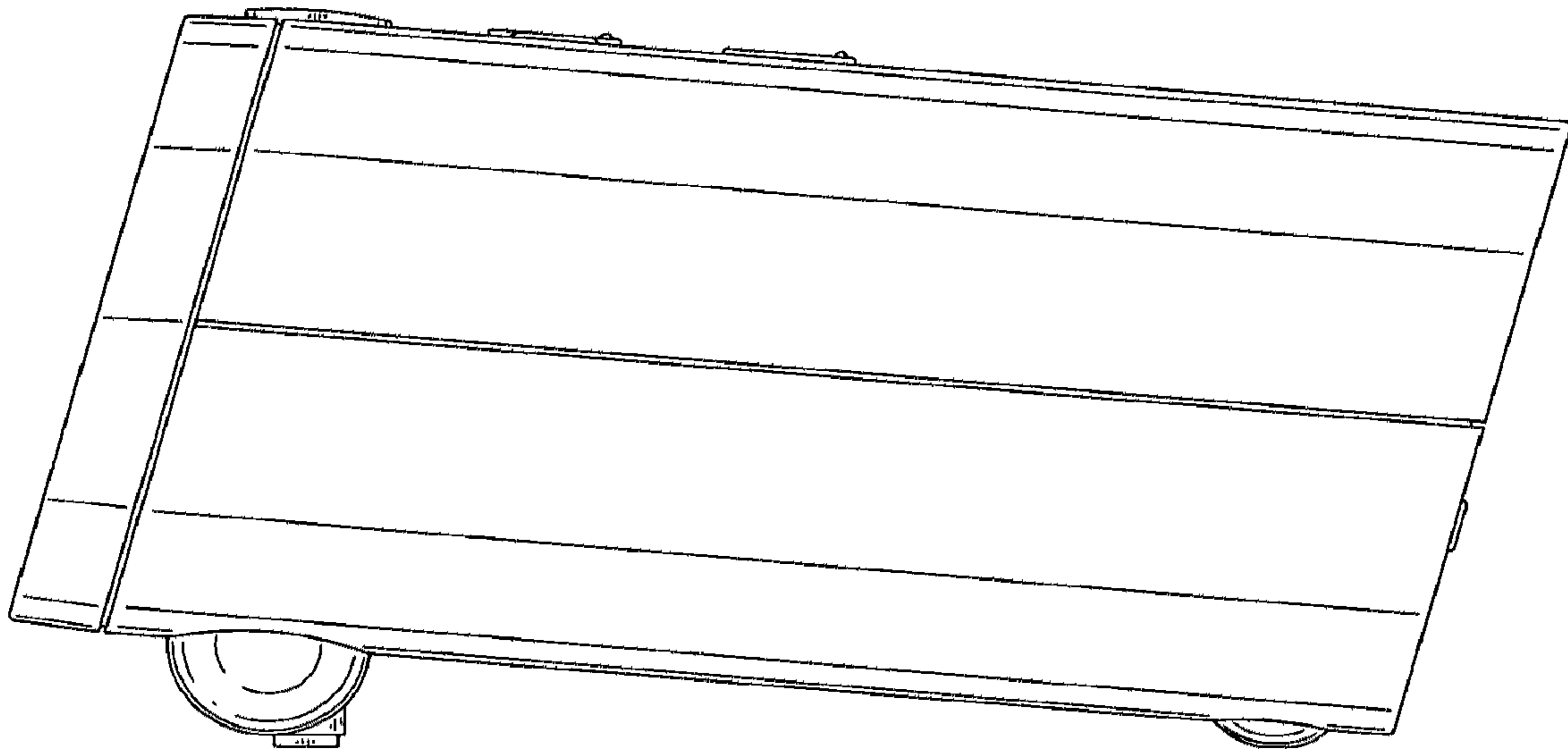


FIG.6

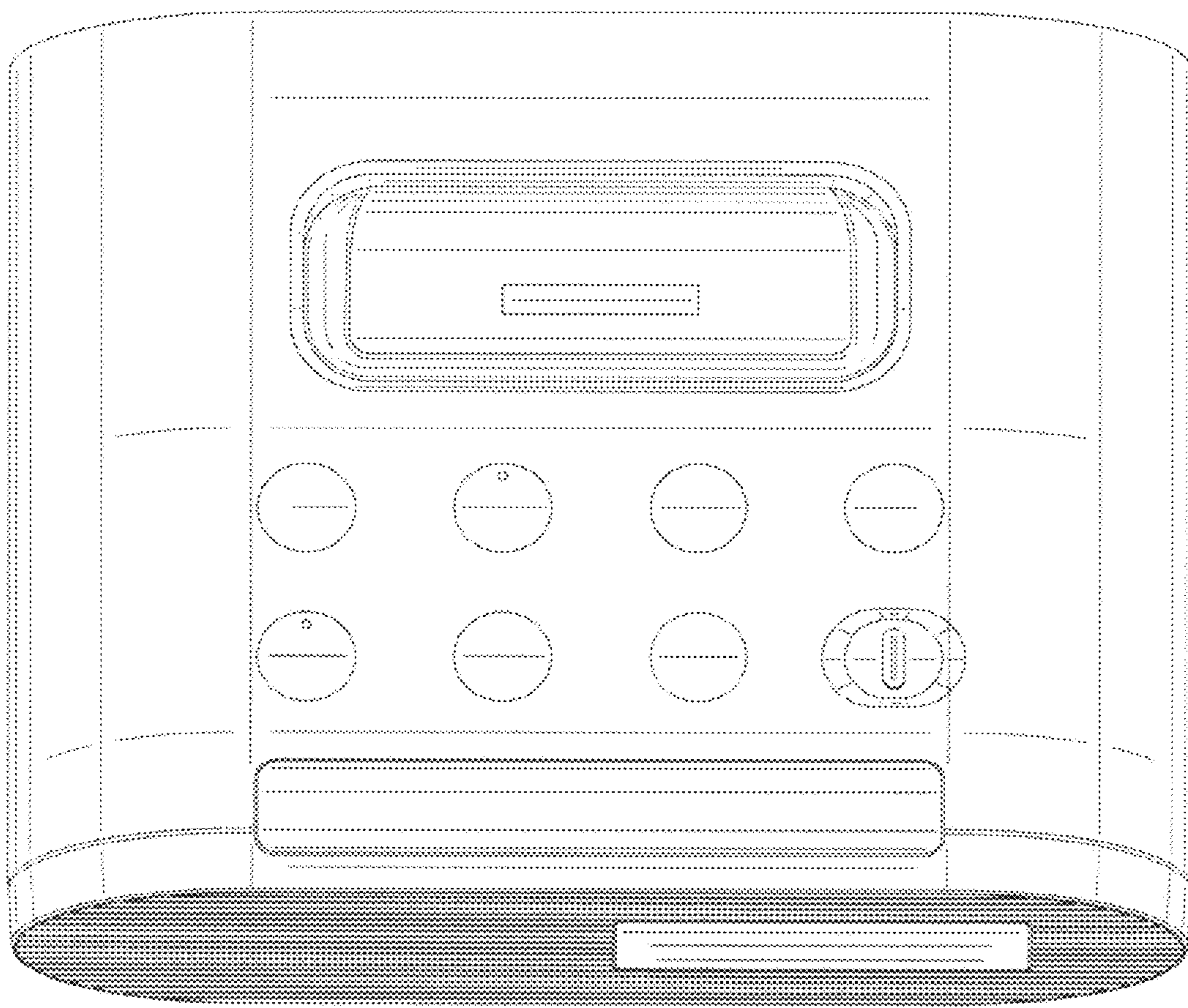


FIG.7

