



US00D671520S

(12) **United States Design Patent**
Kanou

(10) **Patent No.:** **US D671,520 S**

(45) **Date of Patent:** **** Nov. 27, 2012**

(54) **DIGITAL AUDIO PLAYER WITH RADIO
TUNER FOR AUTOMOBILE**

D563,922 S * 3/2008 Shiono D14/505
D577,718 S * 9/2008 Muto D14/258
D637,993 S * 5/2011 Yamamoto D14/157
D643,838 S * 8/2011 Miyawaki D14/258

(75) Inventor: **Kenichi Kanou**, Yokohama (JP)

* cited by examiner

(73) Assignee: **Victor Company of Japan, Limited**,
Kanagawa (JP)

Primary Examiner — Keli L Hill

(**) Term: **14 Years**

(74) *Attorney, Agent, or Firm* — Osha Liang LLP

(21) Appl. No.: **29/402,480**

(57) **CLAIM**

(22) Filed: **Sep. 23, 2011**

The ornamental design for digital audio player with radio tuner for automobile, as shown and described.

(30) **Foreign Application Priority Data**

DESCRIPTION

May 10, 2011 (JP) 2011-010369

(51) **LOC (9) Cl.** **14-03**

(52) **U.S. Cl.** **D14/157; D14/258**

(58) **Field of Classification Search** D14/131,
D14/132, 137, 155, 157, 168–171, 188, 194,
D14/197, 198, 239, 257, 258, 496, 498–508;
455/90.1–90.3, 344–355; 369/6–12

See application file for complete search history.

FIG. 1 is a perspective view of front, left and top of a digital audio player with radio tuner for automobile showing my new design;

FIG. 2 is a front view thereof;

FIG. 3 is a rear view thereof;

FIG. 4 is a left side view thereof;

FIG. 5 is a right side view thereof;

FIG. 6 is a top view thereof; and,

FIG. 7 is a bottom view thereof.

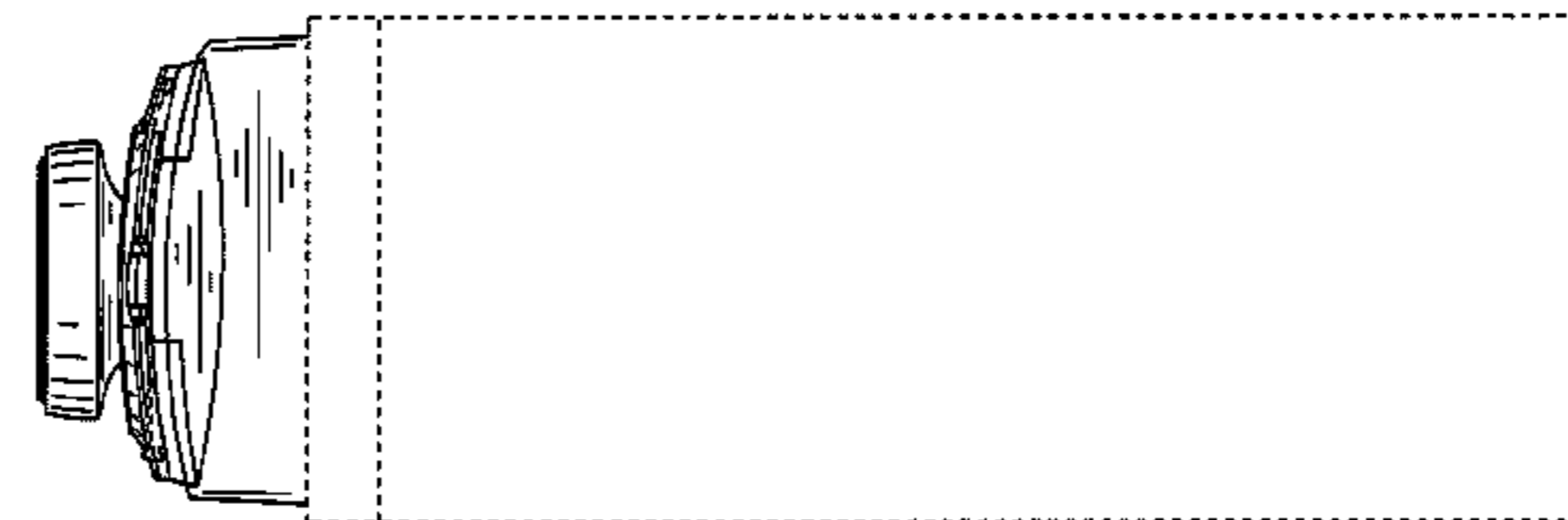
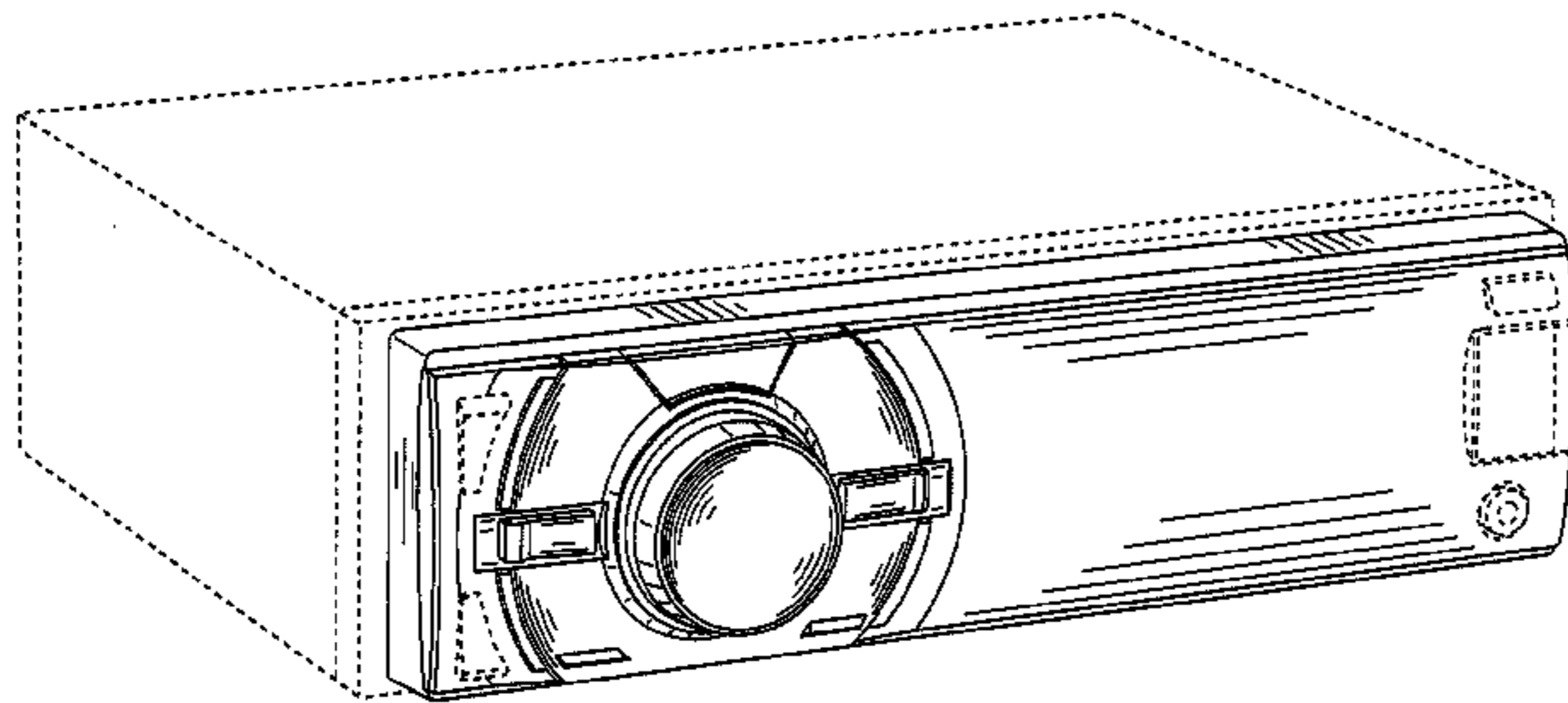
The broken lines showing of the digital audio player with radio tuner for automobile is included for the purpose of illustrating portions of the digital audio player with radio tuner for automobile and forms no part of the claimed design.

(56) **References Cited**

U.S. PATENT DOCUMENTS

D542,261 S * 5/2007 Uehara et al. D14/505
D561,164 S * 2/2008 Muto et al. D14/157

1 Claim, 4 Drawing Sheets



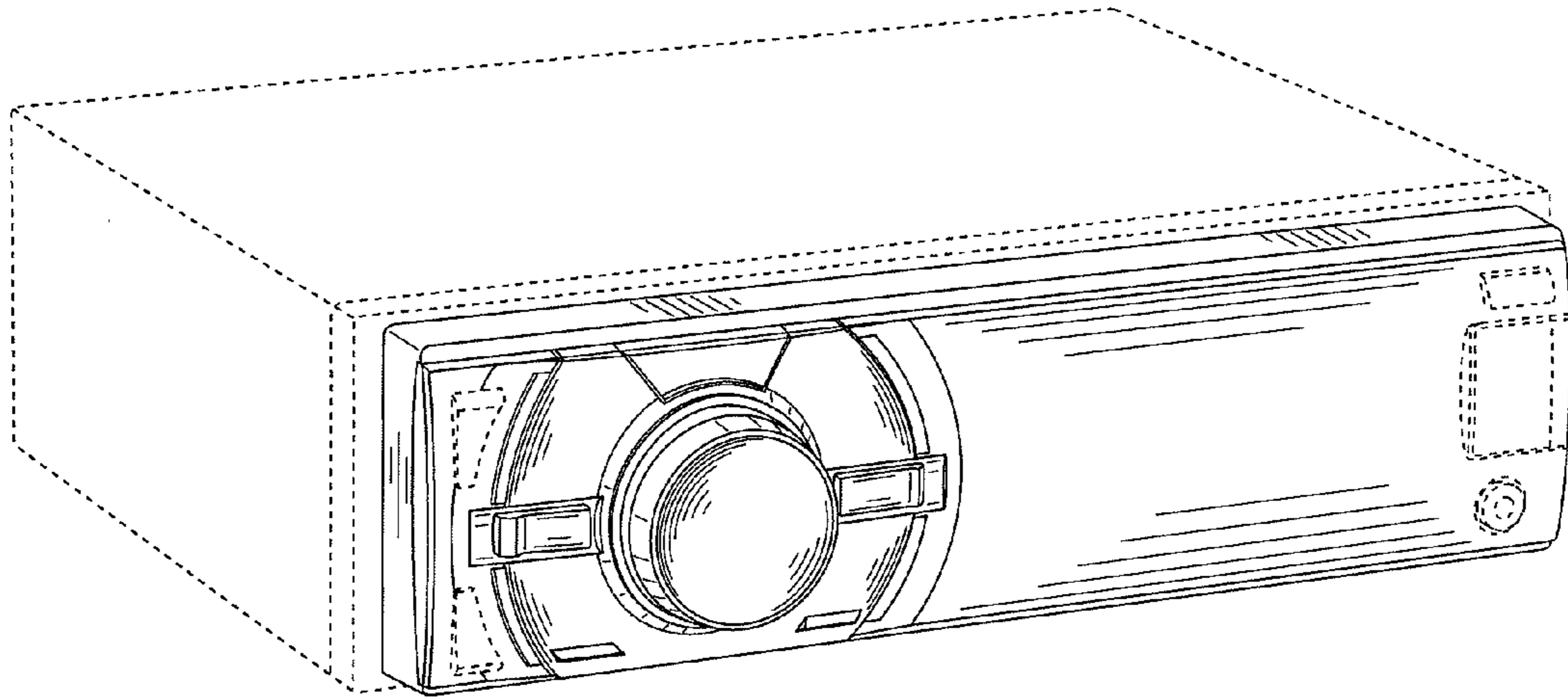


FIG. 1

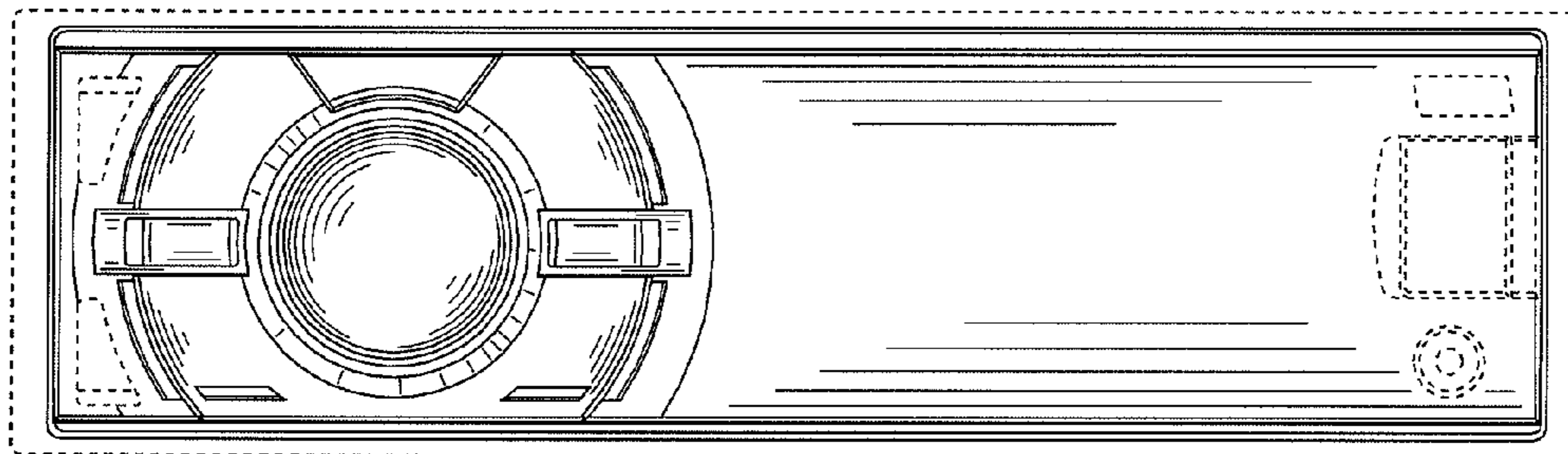


FIG. 2

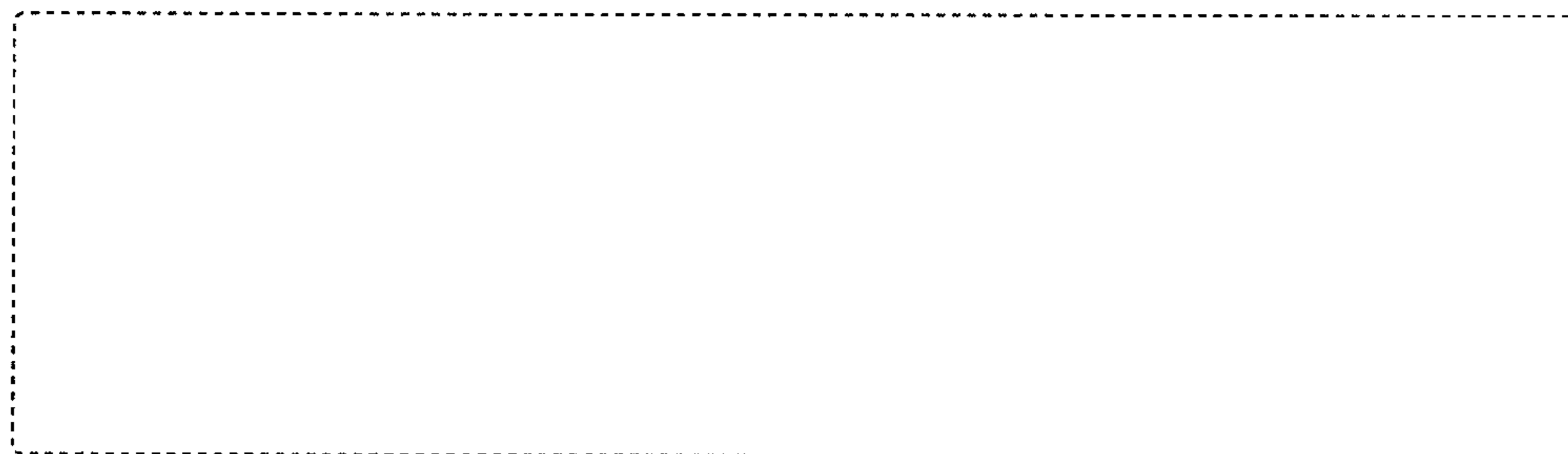


FIG. 3



FIG. 4



FIG. 5

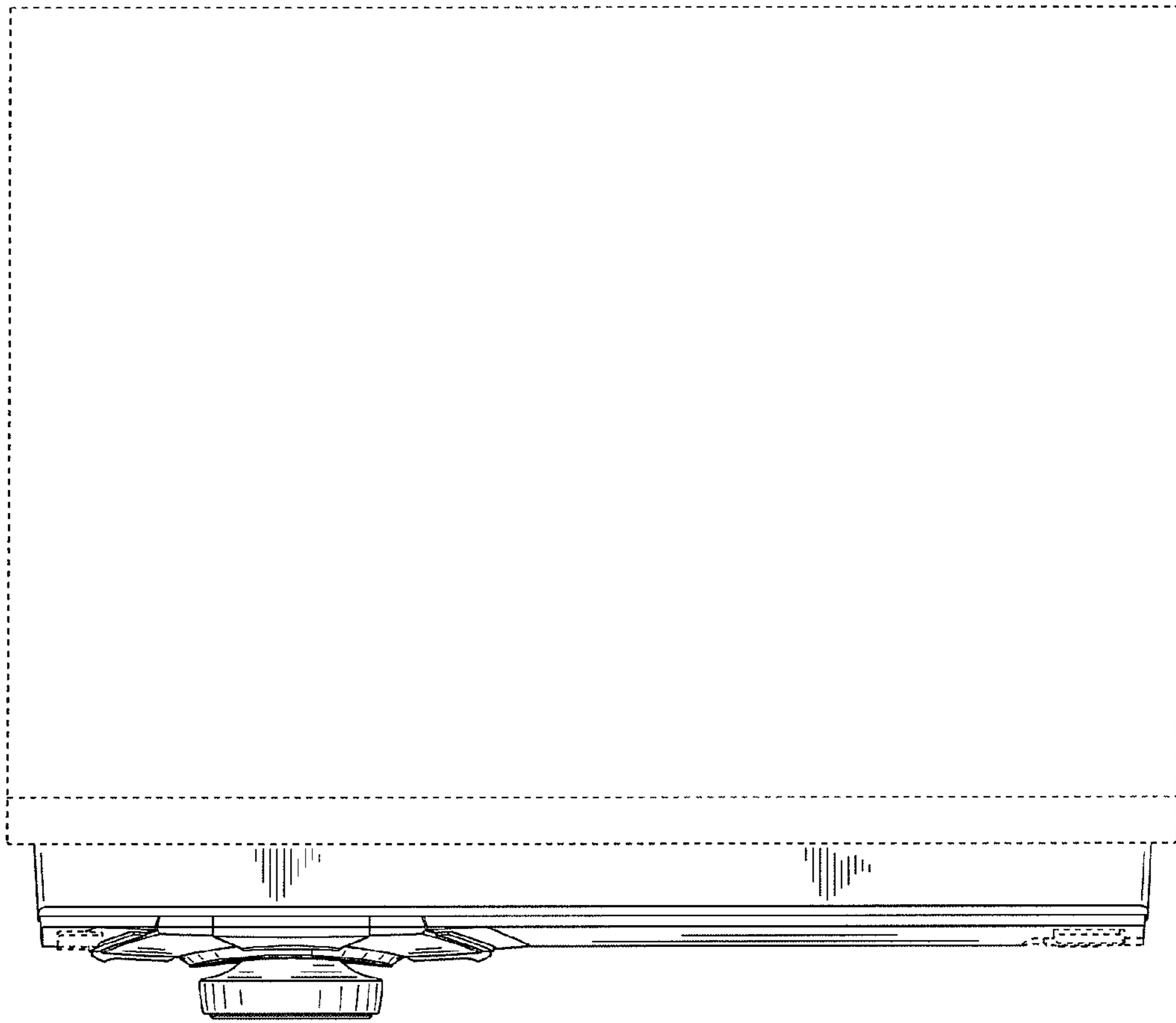


FIG. 6

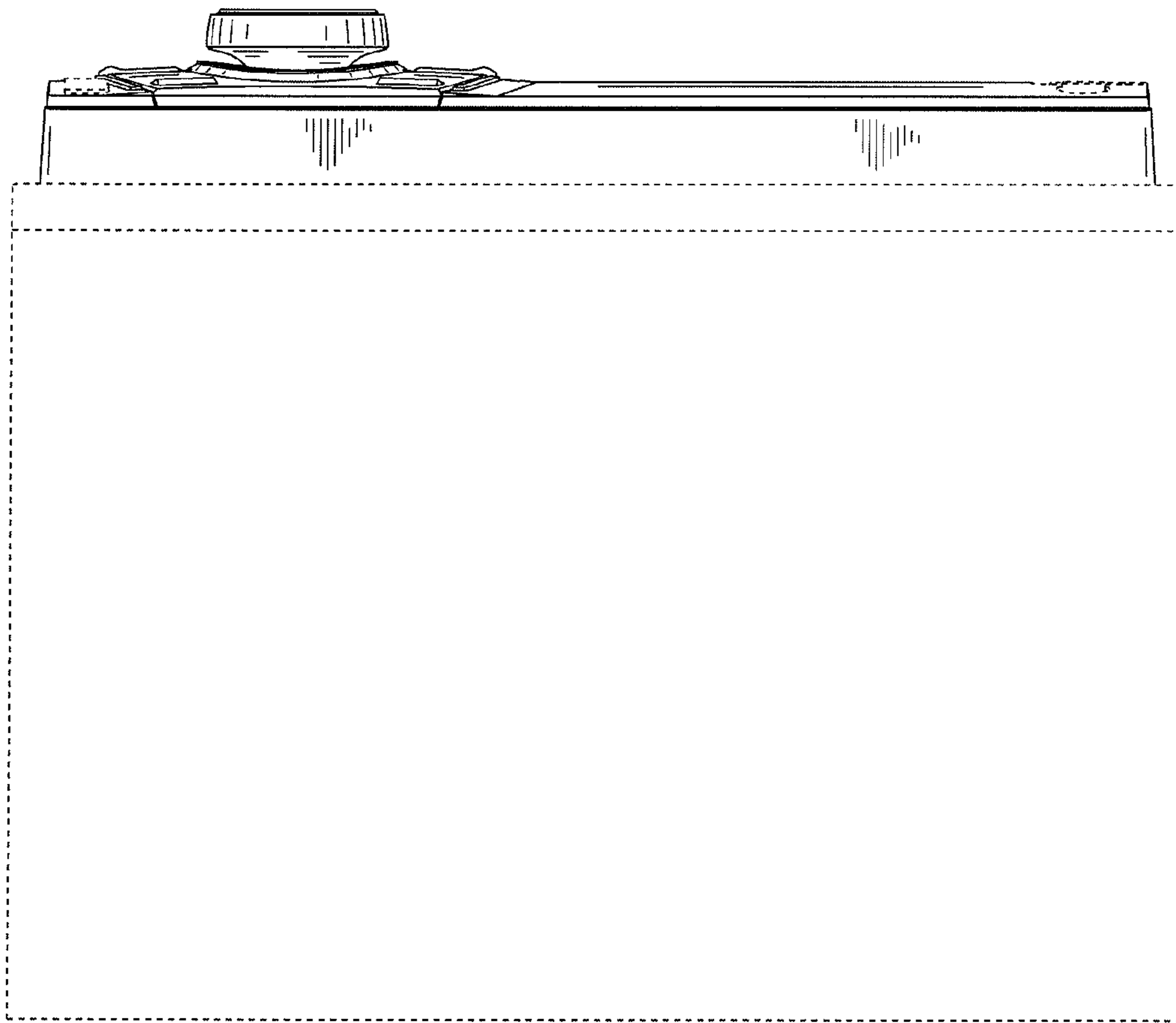


FIG. 7