



US00D671518S

(12) **United States Design Patent**
Ookawa et al.

(10) **Patent No.:** **US D671,518 S**

(45) **Date of Patent:** **** Nov. 27, 2012**

(54) **TELEPHONE BASE UNIT**

(75) Inventors: **Takayuki Ookawa**, Fukuoka (JP);
Michael Shadovitz, Fukuoka (JP)

(73) Assignee: **Panasonic Corporation**, Osaka (JP)

(**) Term: **14 Years**

(21) Appl. No.: **29/386,369**

(22) Filed: **Feb. 28, 2011**

(51) **LOC (9) Cl.** **14-03**

(52) **U.S. Cl.** **D14/149**

(58) **Field of Classification Search** D14/250,
D14/251, 253, 240, 217, 496, 440, 203.3,
D14/203.4, 203.5, 203.8, 149, 142, 140;
D3/218, 215, 201; 220/4.02; 248/309.1;
361/679.56; 379/426, 433.11, 455, 903.01;
455/575.1, 575.8; 190/100; 206/305, 320
See application file for complete search history.

D303,665 S 9/1989 Ohta et al.
D307,277 S 4/1990 Desbarats
D307,426 S 4/1990 Ohta et al.
D319,641 S 9/1991 Sugi et al.
D349,899 S 8/1994 Siddoway et al.
D350,541 S 9/1994 Chung et al.
D352,032 S 11/1994 Cowan
D354,954 S 1/1995 Naito et al.
D358,813 S 5/1995 Hellier et al.
D359,284 S 6/1995 Hung
D360,398 S 7/1995 Nagele et al.
D361,998 S 9/1995 Murakami et al.
D363,286 S 10/1995 Solomita
D367,651 S 3/1996 Hellier et al.
D368,091 S 3/1996 Yoshihiko et al.

(Continued)

FOREIGN PATENT DOCUMENTS

JP D988293 8/1997
(Continued)

Primary Examiner — Cynthia Underwood
(74) *Attorney, Agent, or Firm* — Brinks Hofer Gilson & Lione

(56) **References Cited**

U.S. PATENT DOCUMENTS

D237,505 S * 11/1975 Thies D14/150
D259,421 S 6/1981 Janda
D278,434 S 4/1985 Nestell
D279,372 S 6/1985 Baba et al.
D282,655 S 2/1986 Kaku et al.
D284,467 S 7/1986 Baba et al.
D285,553 S 9/1986 Baba et al.
D287,011 S 12/1986 Kaku
D287,719 S 1/1987 Kaku
D287,970 S 1/1987 Kaku
D289,520 S 4/1987 Pushelberg
D289,642 S 5/1987 Kaku
D296,437 S 6/1988 Martinez
D297,935 S 10/1988 Kurosu et al.
D298,620 S 11/1988 Ohta et al.
D298,934 S 12/1988 Ohta et al.
D298,936 S 12/1988 Ohta et al.
D298,940 S 12/1988 Lau
D299,228 S 1/1989 Kurosu et al.
D299,644 S 1/1989 Ohta et al.
D302,689 S 8/1989 Murakami et al.
D303,390 S 9/1989 Ohta et al.

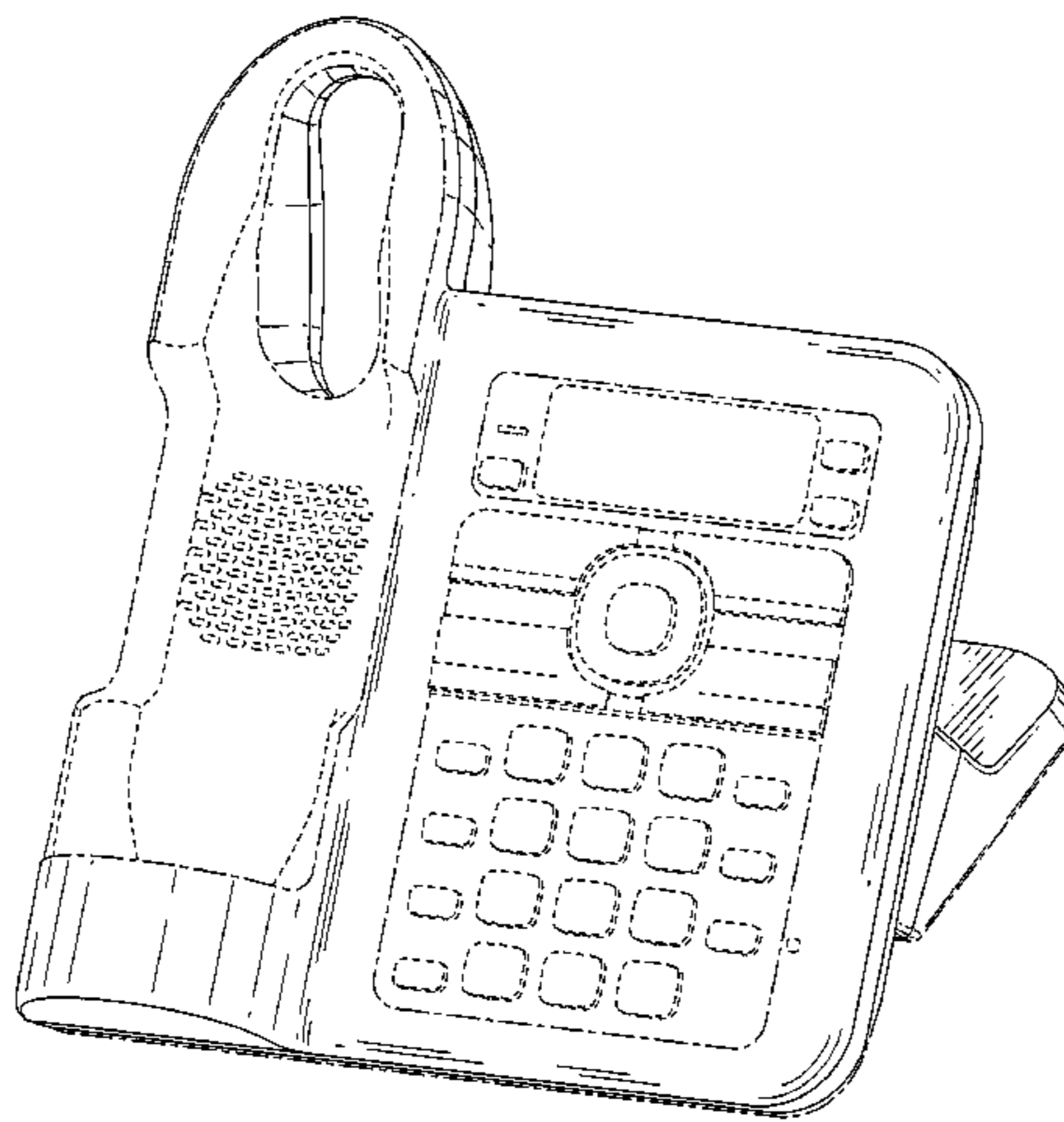
(57) **CLAIM**

We claim the ornamental design for a telephone base unit, as shown and described.

DESCRIPTION

FIG. 1 is a front perspective view of a telephone base unit of the present invention;
FIG. 2 is a front view thereof;
FIG. 3 is a rear view thereof;
FIG. 4 is a first side view thereof;
FIG. 5 is a second side view thereof;
FIG. 6 is a top view thereof; and,
FIG. 7 is a bottom view thereof.
The broken line showing of telephone base unit is included for the purpose of illustrating environment and forms no part of the claimed design. Additionally, the unevenly broken lines in the drawings define the limits of the claimed design.

1 Claim, 7 Drawing Sheets



US D671,518 S

Page 2

U.S. PATENT DOCUMENTS

D369,799 S * 5/1996 Kong et al. D14/149
D369,803 S 5/1996 Ka Hung
D375,735 S 11/1996 Tochishita
D382,557 S 8/1997 Solomita et al.
D384,663 S 10/1997 Solomita et al.
D385,558 S 10/1997 Liu
D388,433 S 12/1997 Lepack
D395,046 S 6/1998 Liu
D401,235 S 11/1998 Fuke et al.
D409,190 S 5/1999 Tamura et al.
D415,490 S 10/1999 Chan
D428,868 S 8/2000 Bryant et al.
D456,795 S 5/2002 Hughes et al.
D457,868 S 5/2002 Shintani
D471,187 S 3/2003 Song
D499,077 S 11/2004 Kudou et al.
D561,182 S * 2/2008 Jenkins et al. D14/253
D575,763 S * 8/2008 Masashi D14/149
D576,998 S 9/2008 Furuno
D581,897 S 12/2008 Katori

D597,061 S * 7/2009 Akatsu et al. D14/151
D611,031 S * 3/2010 Lesniak et al. D14/151
D617,301 S 6/2010 Furuno et al.
D617,302 S 6/2010 Nakajima et al.
D629,381 S * 12/2010 Verthein et al. D14/142
D652,039 S * 1/2012 Hwang et al. D14/434
D661,307 S * 6/2012 Hwang et al. D14/434
D662,491 S * 6/2012 Andre et al. D14/217
D664,520 S * 7/2012 Shadovitz et al. D14/150
2008/0219488 A1 * 9/2008 Crooijmans et al. 381/333
2010/0090085 A1 * 4/2010 Corrion 248/459

FOREIGN PATENT DOCUMENTS

JP D1038101 5/1999
JP D1088500 10/2000
JP D1055453/2 1/2001
JP D1117036 7/2001
JP D1126733 11/2001
WO DM/050606 11/1999
WO D198981-6 6/2004

* cited by examiner

FIG.1

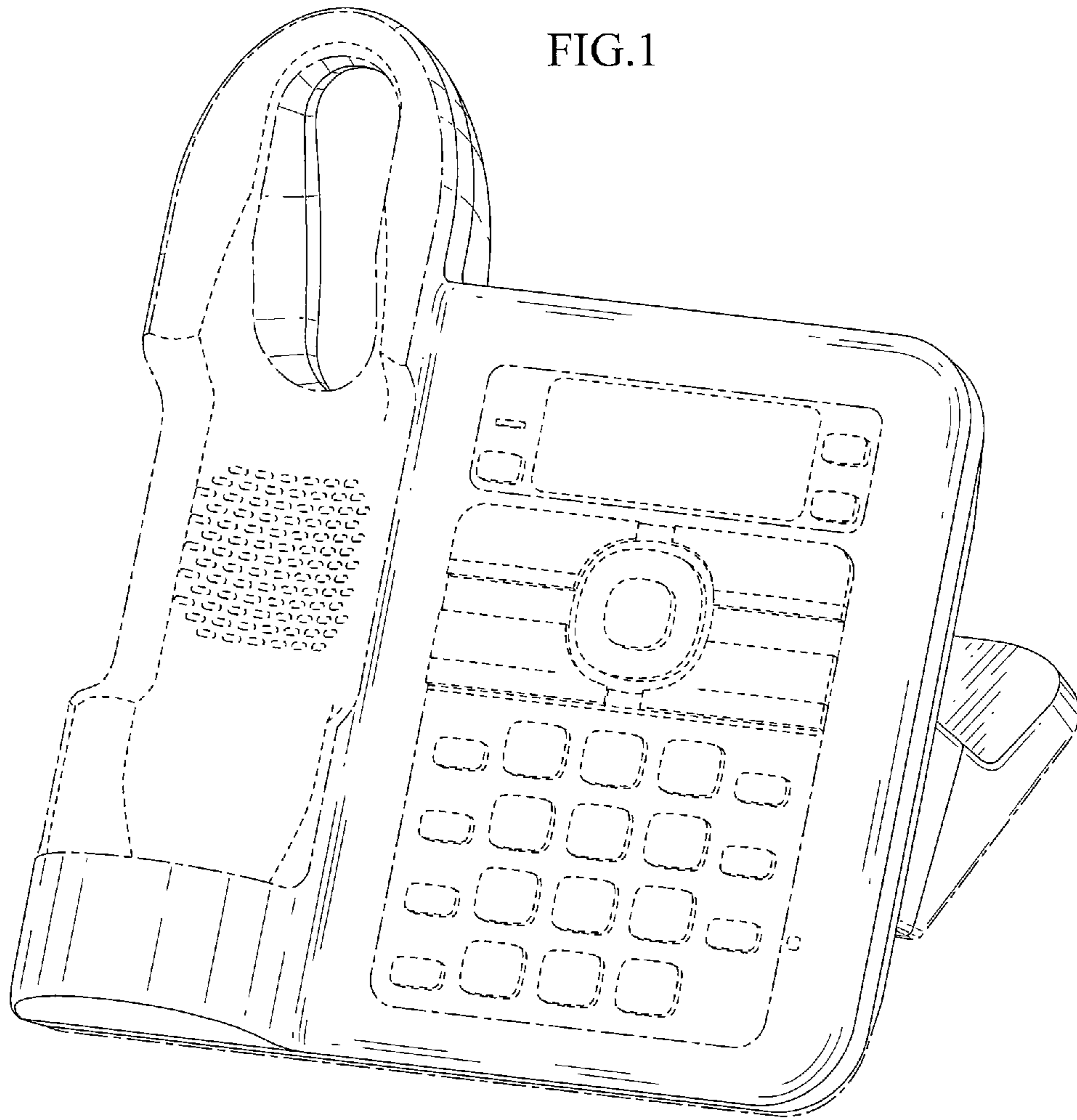


FIG.2

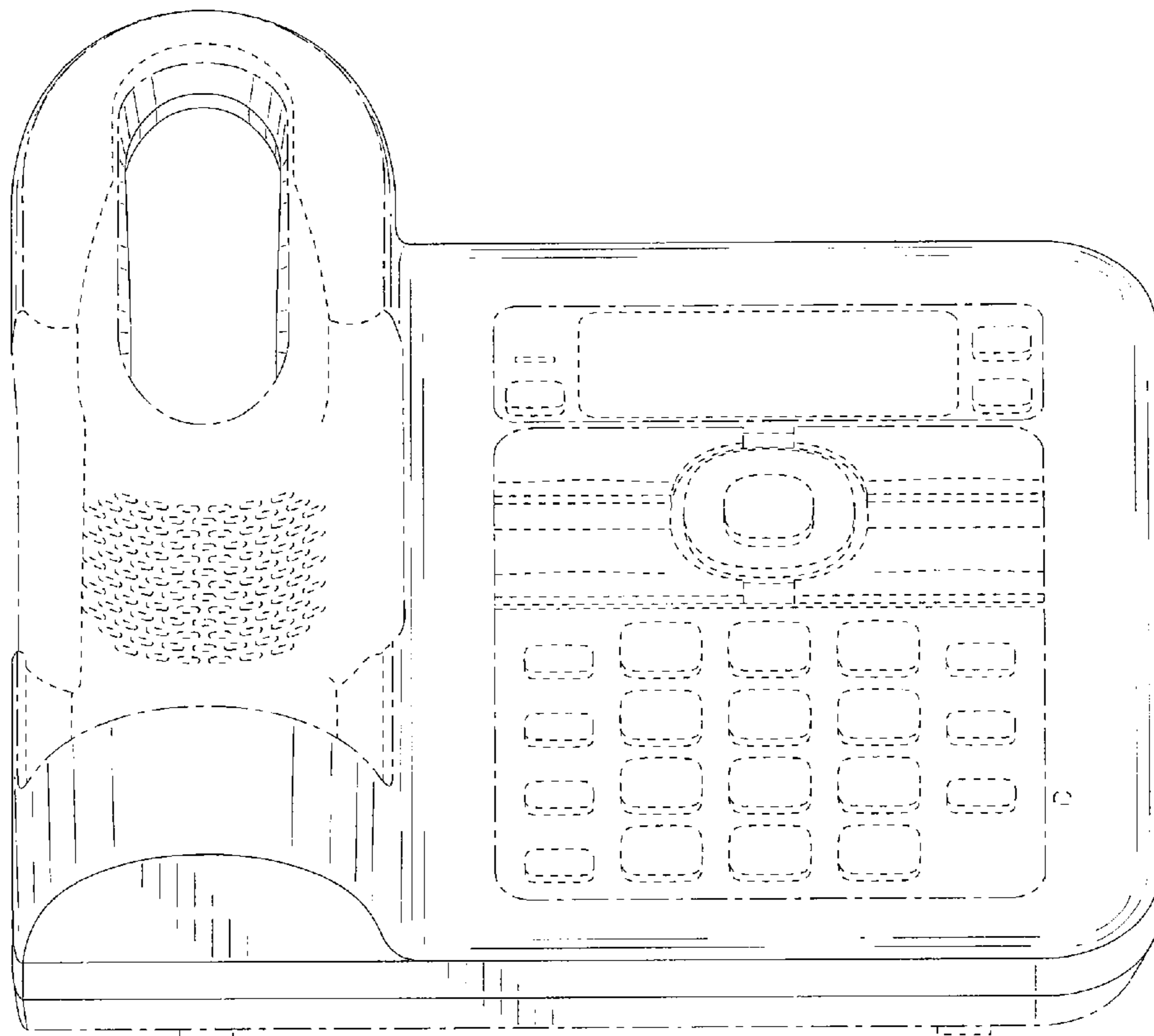
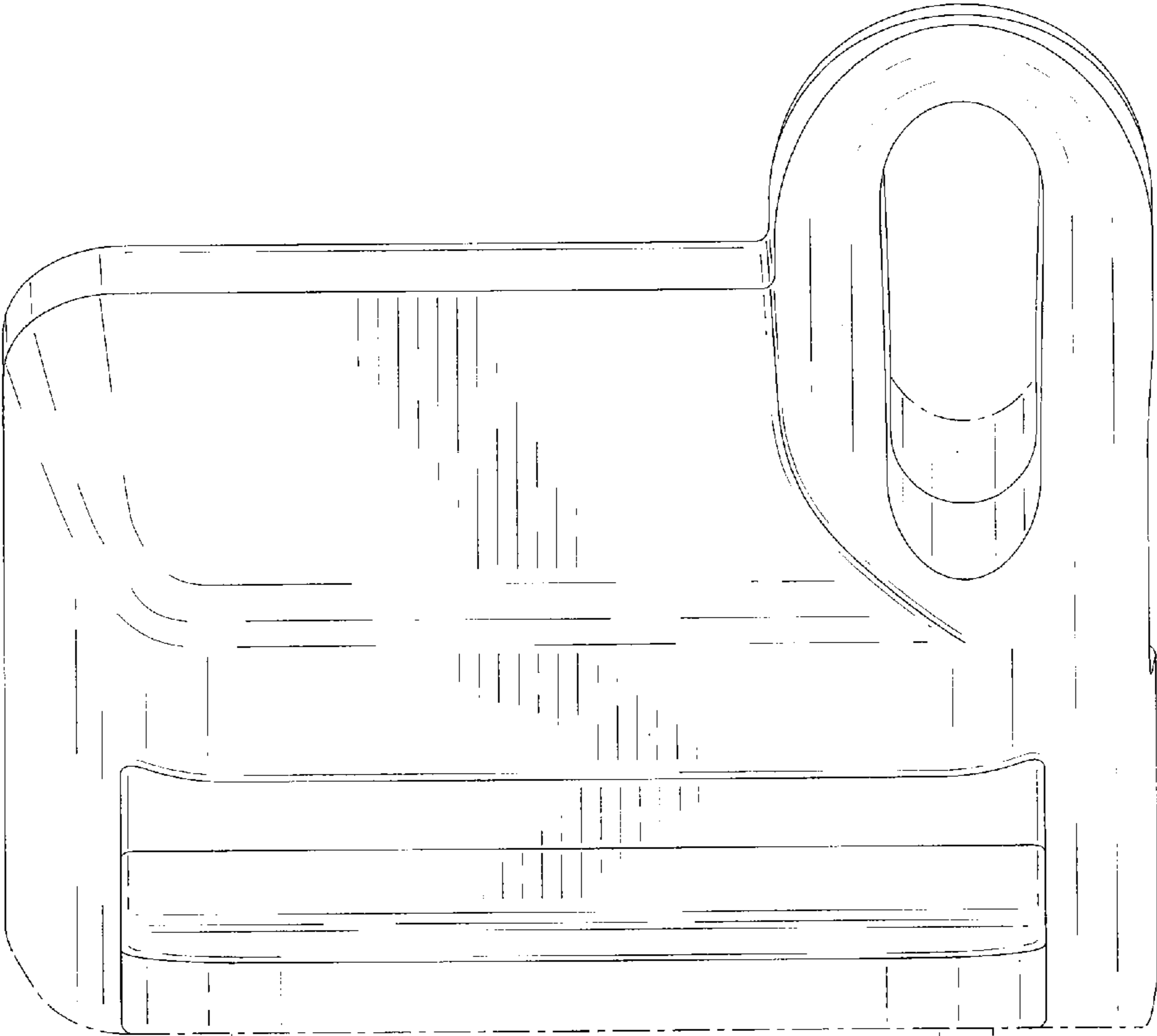


FIG.3



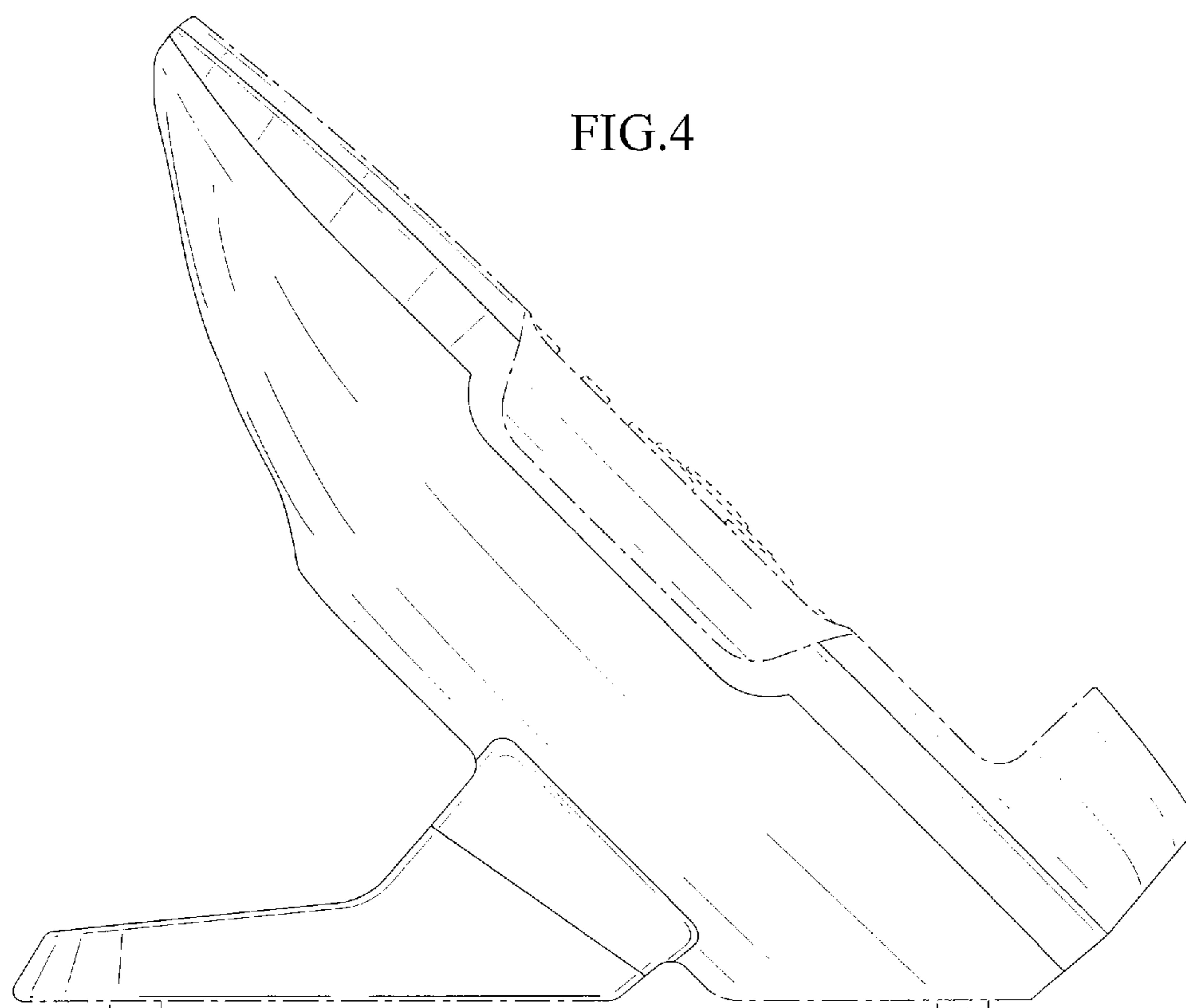


FIG.5

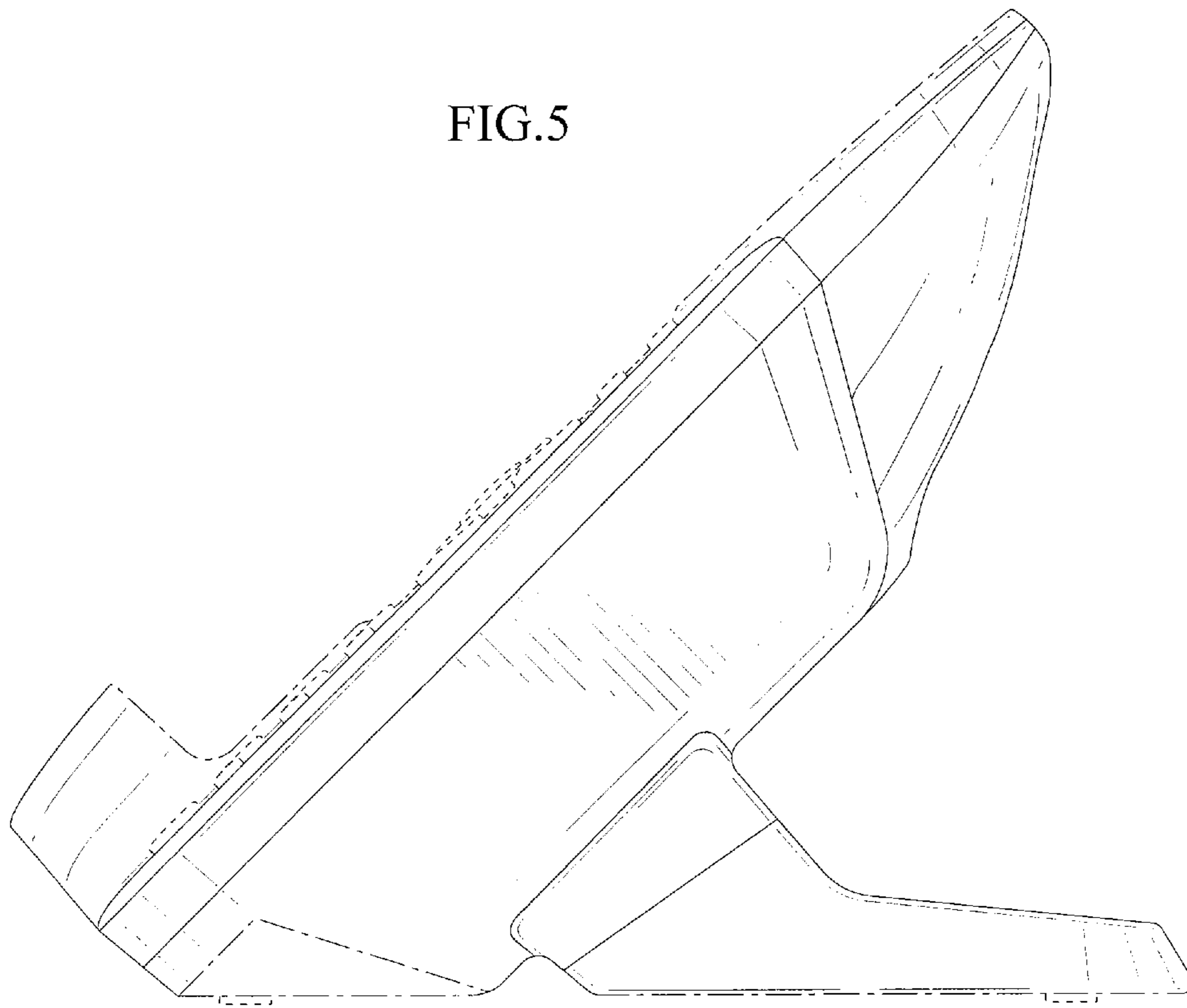


FIG.6

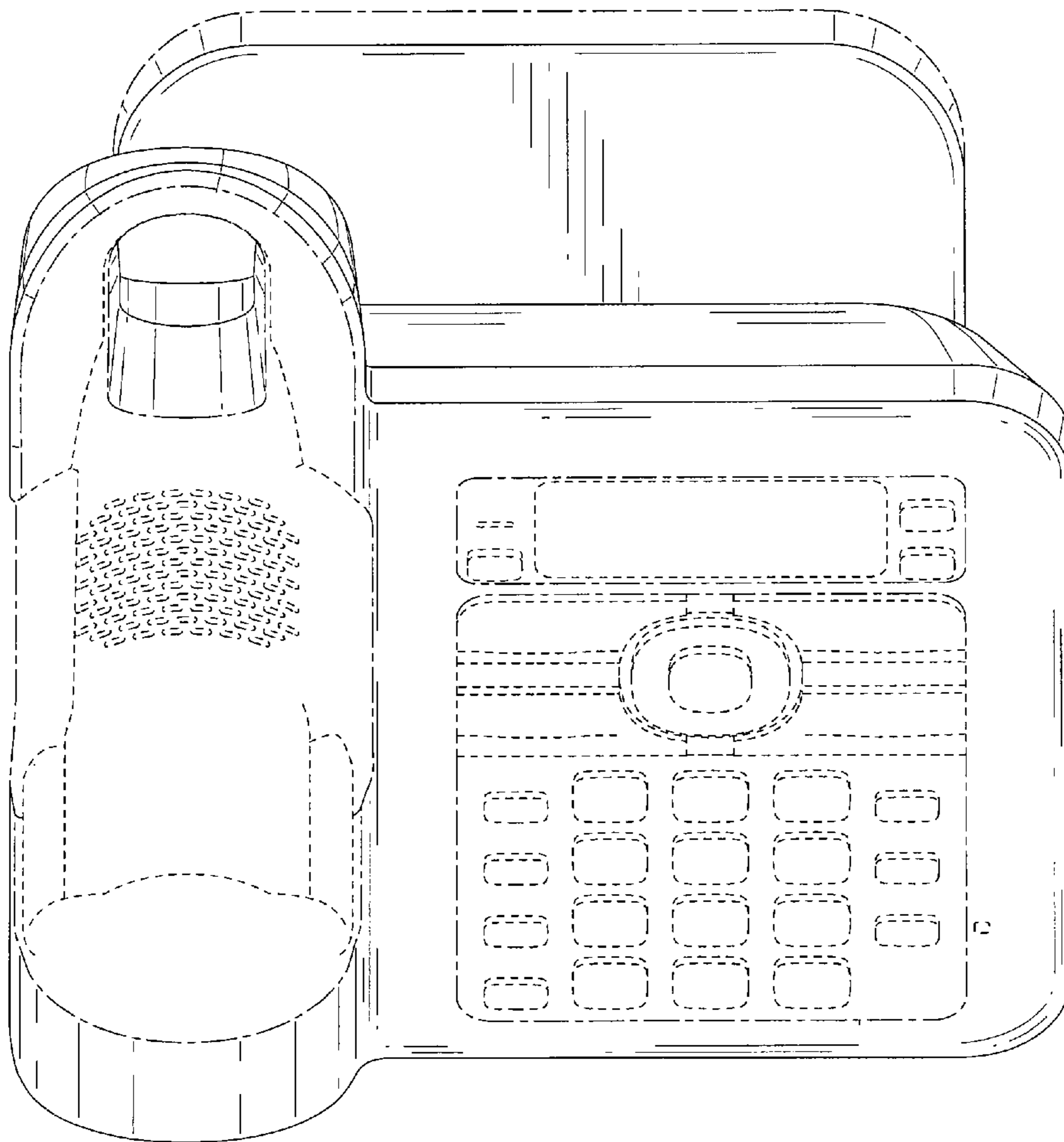


FIG.7

