



US00D671513S

(12) **United States Design Patent**
Jang et al.

(10) **Patent No.:** **US D671,513 S**
(45) **Date of Patent:** **** Nov. 27, 2012**

(54) **TELEVISION RECEIVER**

(75) Inventors: **Younghun Jang**, Seoul (KR); **Sehdong Yoo**, Gyeonggi-do (KR)

(73) Assignee: **LG Electronics Inc.**, Seoul (KR)

(**) Term: **14 Years**

(21) Appl. No.: **29/417,988**

(22) Filed: **Apr. 11, 2012**

(30) **Foreign Application Priority Data**

Oct. 21, 2011 (KR) 30-2011-0043992

(51) **LOC (9) Cl.** **14-03**

(52) **U.S. Cl.** **D14/126**

(58) **Field of Classification Search** D14/125-134,
D14/239, 371, 136, 374-377, 440, 450, 448,
D14/336, 342; 312/7.2; 348/836, 838, 180,
348/184, 325, 739; 341/12; 248/917-924,
248/465; 345/104, 133, 156, 168, 87, 173;
720/605, 669, 600, 655; 369/99, 197; 455/344-347;
D21/329, 515, 577, 622, 333, 433, 448, 452,
D21/450, 331; D6/477, 479, 300; 273/148 B;
446/484, 175, 356; D10/15, 26

See application file for complete search history.

(56) **References Cited**

U.S. PATENT DOCUMENTS

D548,206	S	*	8/2007	Han	D14/126
D626,924	S	*	11/2010	Miyaji	D14/126
D629,371	S	*	12/2010	Lim et al.	D14/126
D637,573	S	*	5/2011	Lee et al.	D14/126
D653,636	S	*	2/2012	Lee et al.	D14/126
D658,140	S	*	4/2012	Hwangbo et al.	D14/126
D658,190	S	*	4/2012	Akana et al.	D14/448
D661,269	S	*	6/2012	Lee et al.	D14/126
D661,272	S	*	6/2012	Kim et al.	D14/126
D661,273	S	*	6/2012	Chu	D14/126
D663,705	S	*	7/2012	Park et al.	D14/126

* cited by examiner

Primary Examiner — Raphael Barkai

(74) *Attorney, Agent, or Firm* — Morgan, Lewis & Bockius LLP

(57) **CLAIM**

The ornamental design for a television receiver, as shown and described.

DESCRIPTION

FIG. 1 is a perspective view of a television receiver showing our new design;
FIG. 2 is a front, view thereof;
FIG. 3 is a rear view thereof;
FIG. 4 is a left side view thereof;
FIG. 5 is a right side view thereof;
FIG. 6 is a top plan view thereof; and,
FIG. 7 is a bottom plan view thereof.

1 Claim, 6 Drawing Sheets

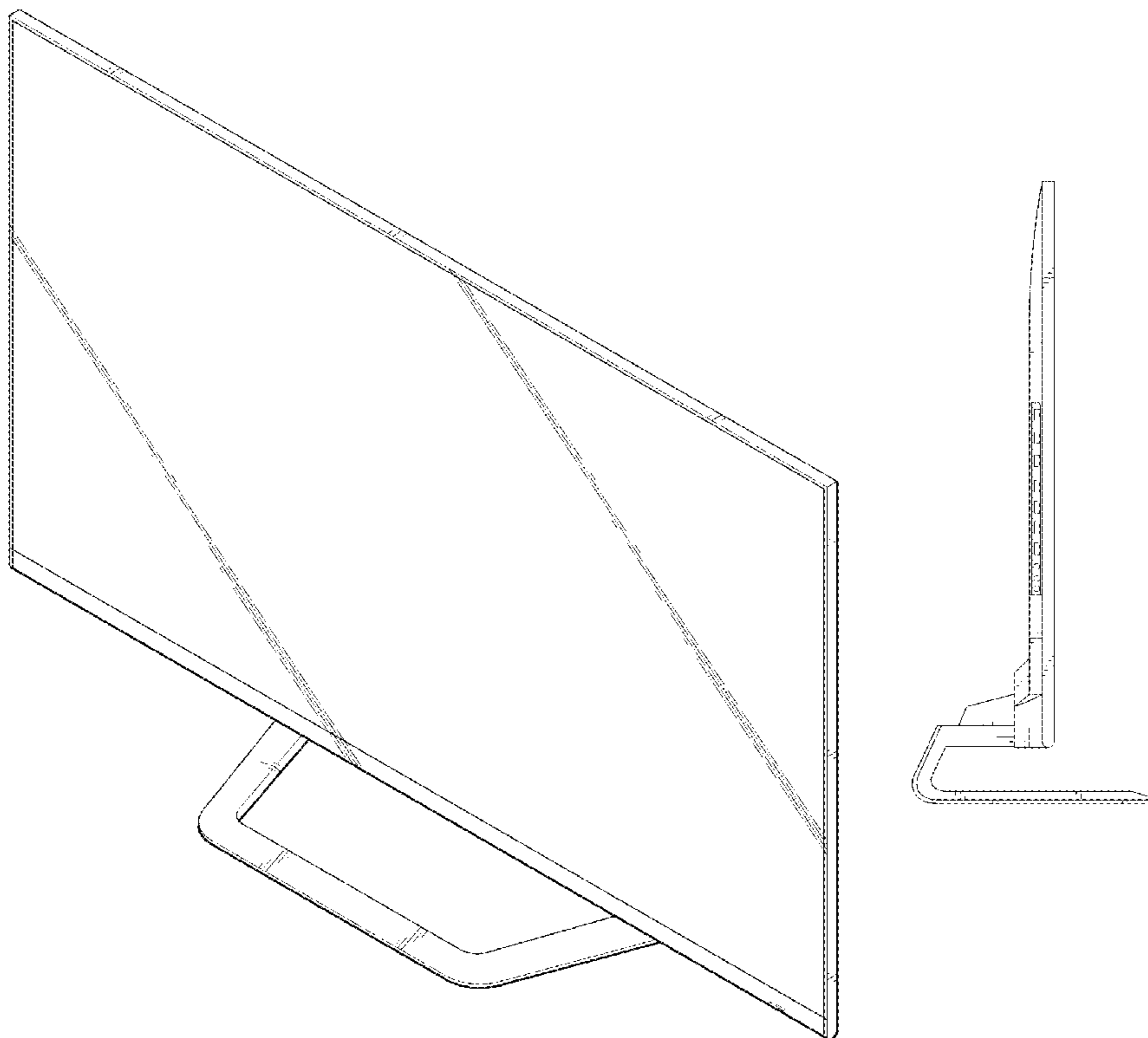


FIG. 1

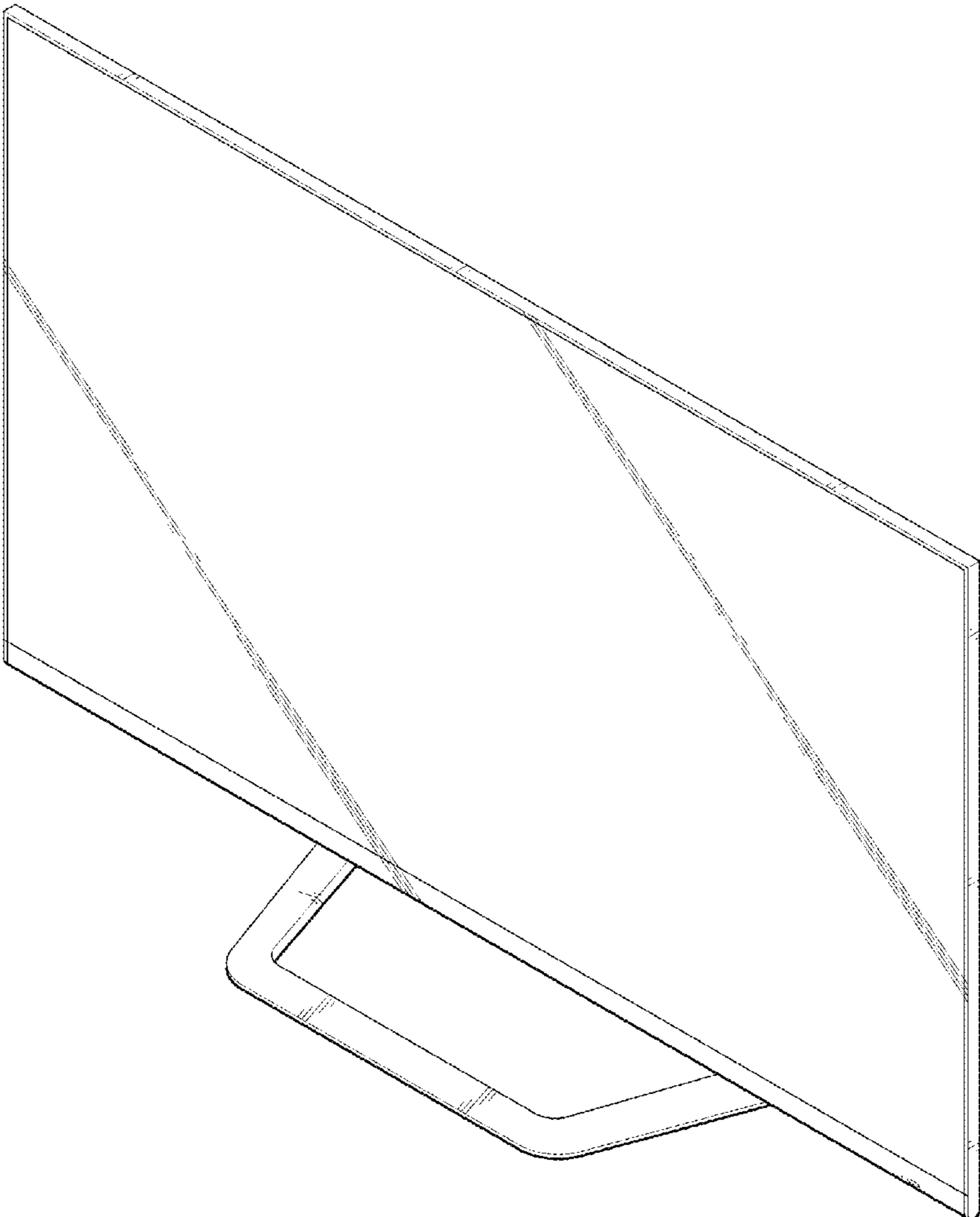


FIG. 2

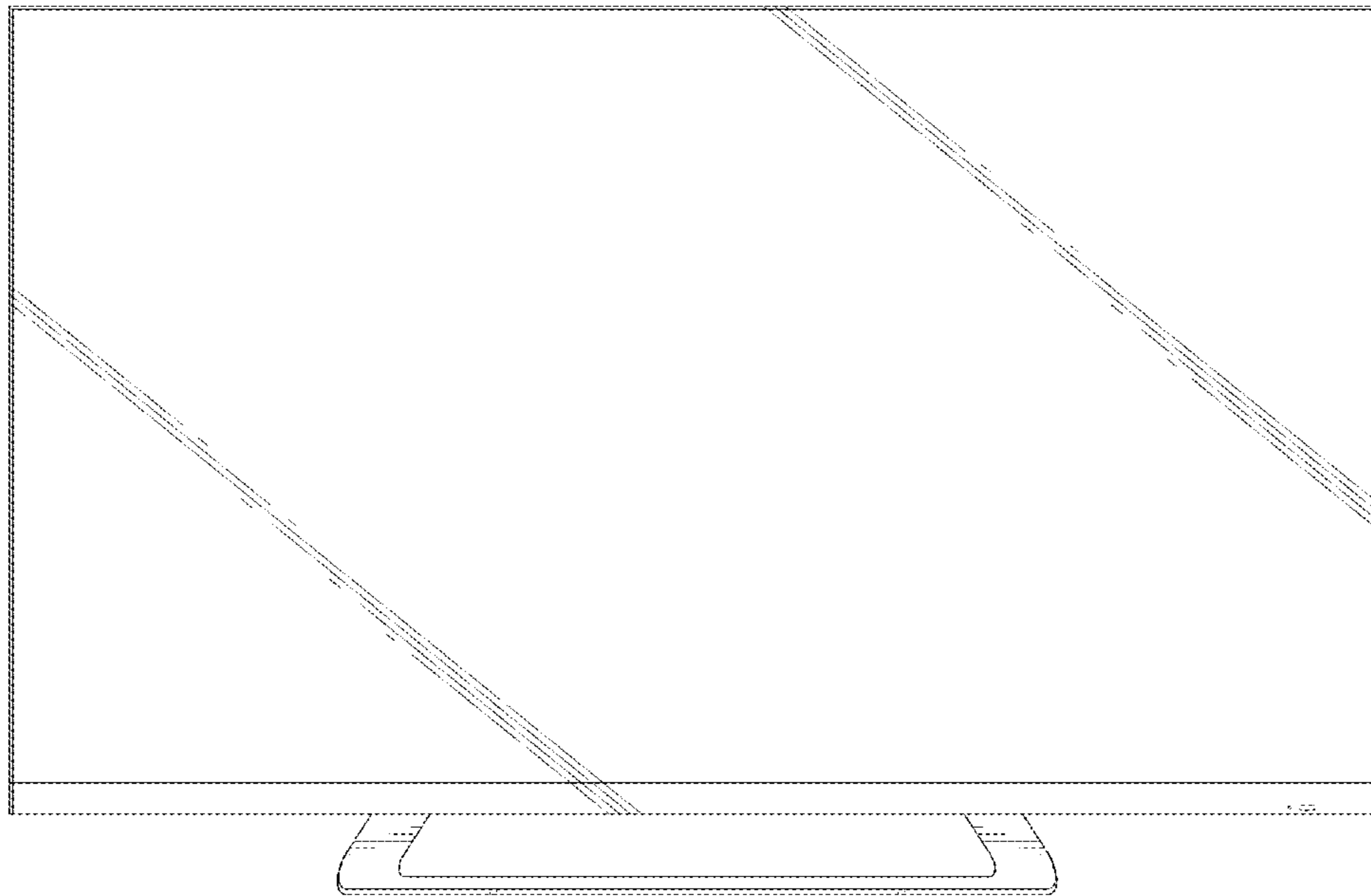


FIG. 3

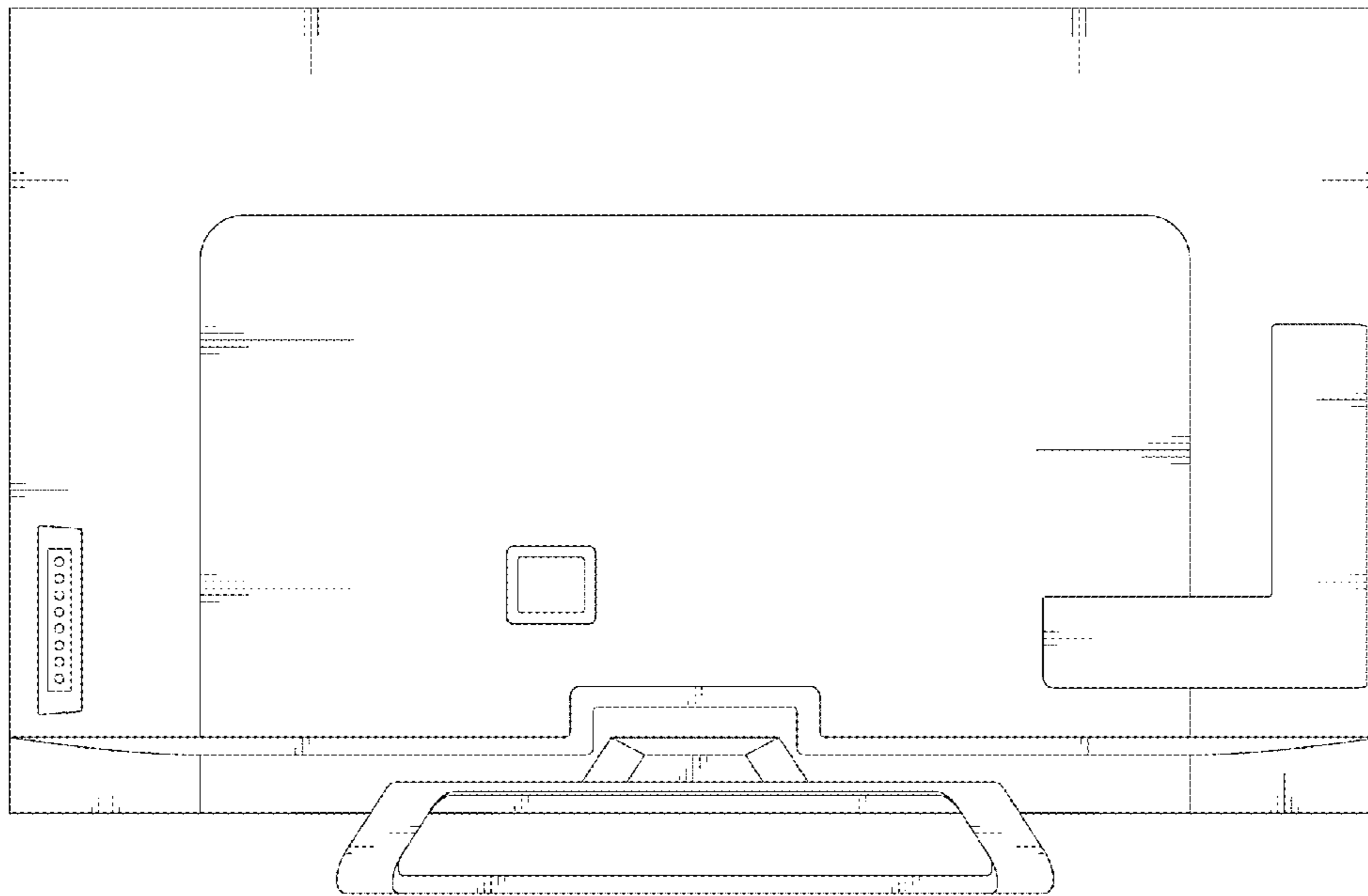


FIG. 4

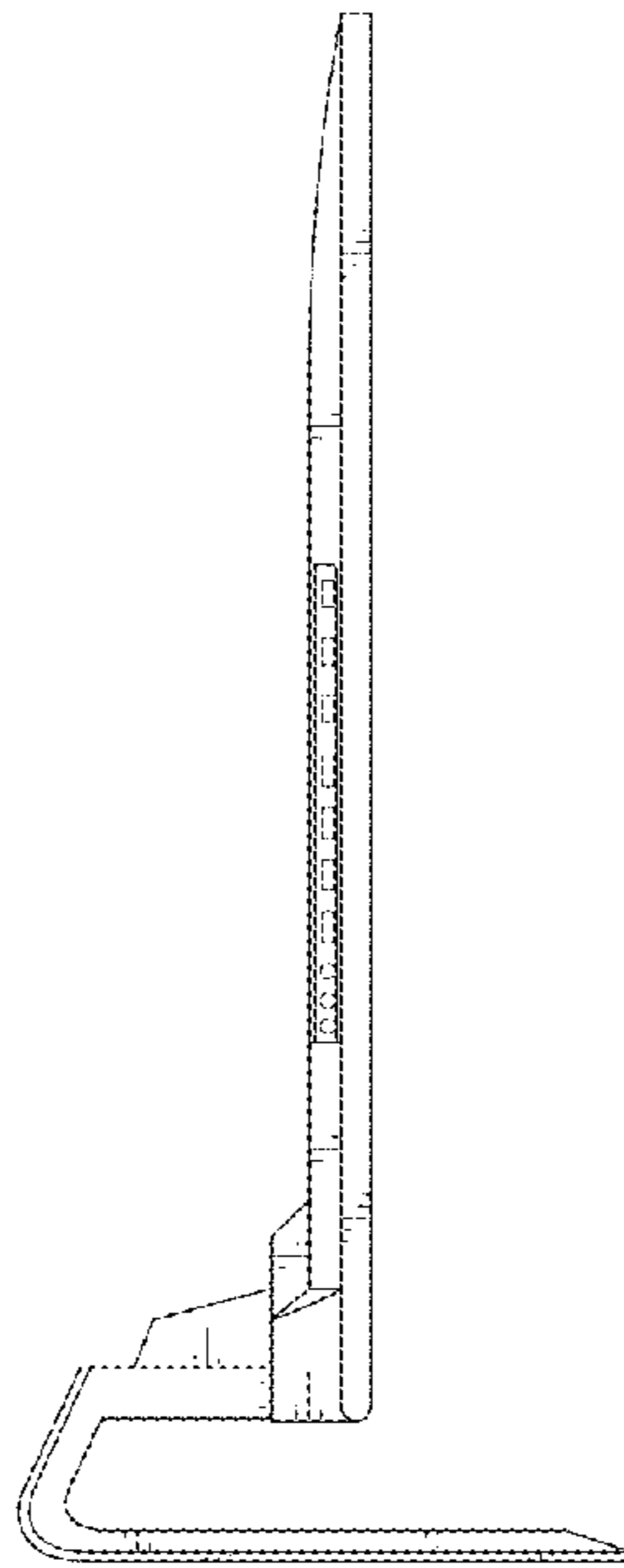


FIG. 5

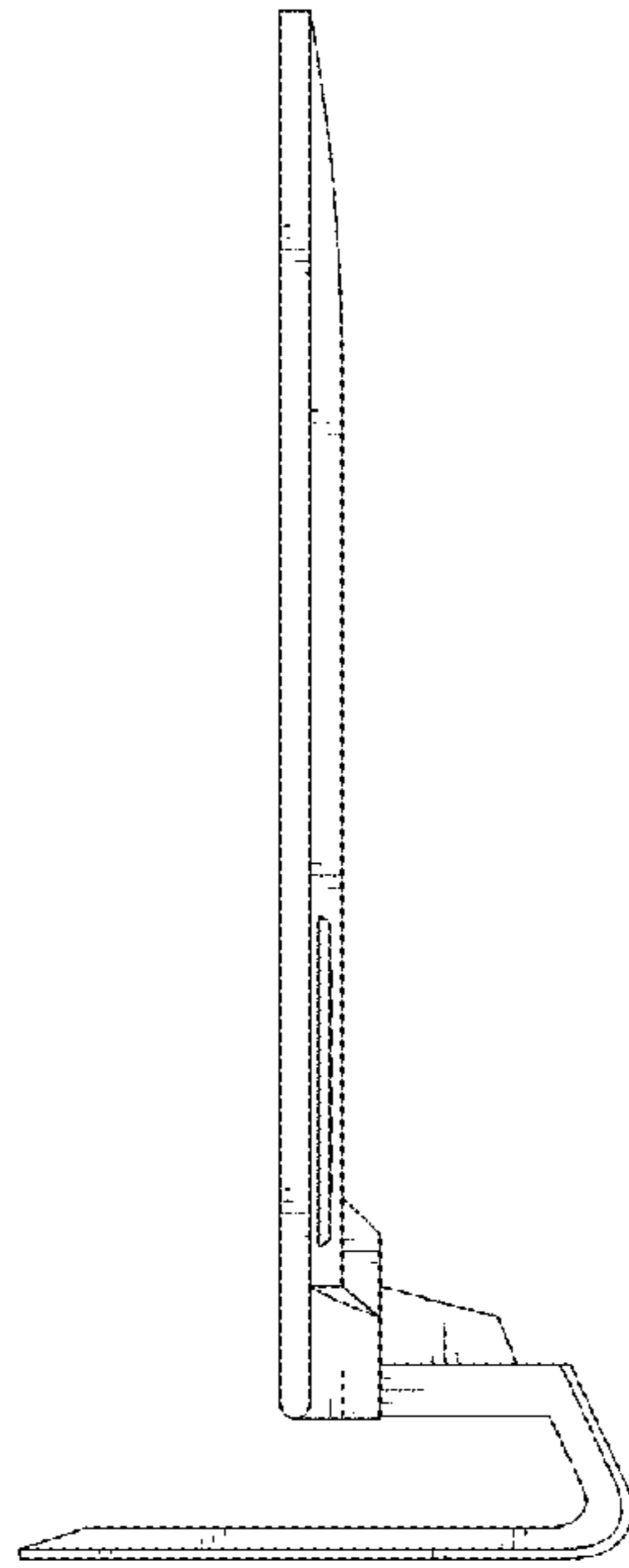


FIG. 6

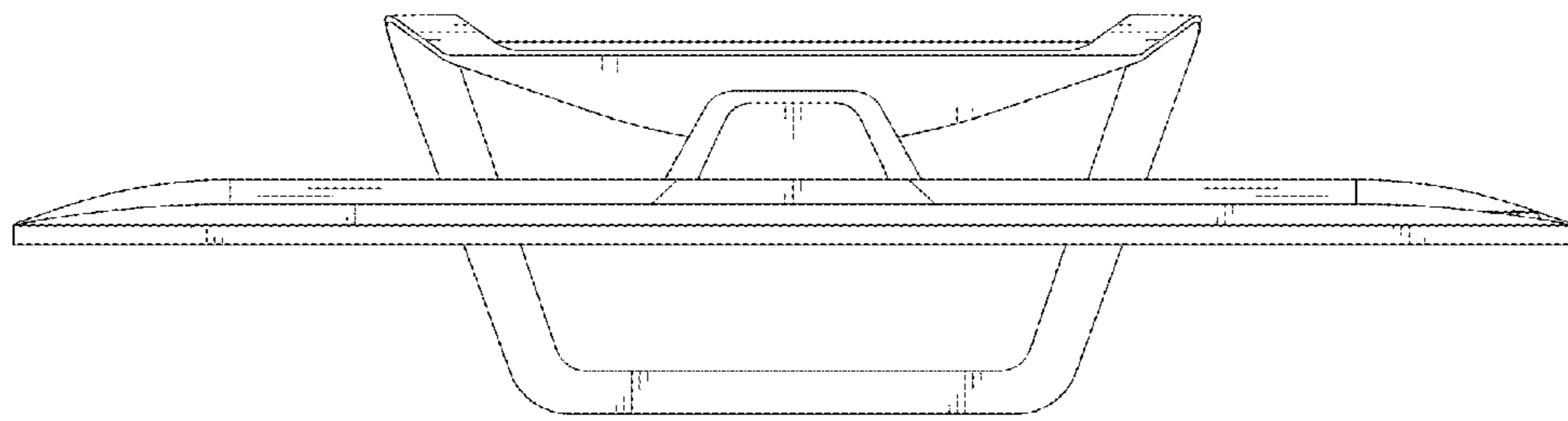


FIG. 7

