



US00D671510S

(12) **United States Design Patent**
Amano et al.

(10) **Patent No.:** **US D671,510 S**

(45) **Date of Patent:** **** Nov. 27, 2012**

(54) **SURFACE-MOUNTED COIL**

(75) Inventors: **Tsutomu Amano**, Seto (JP); **Toshiro Kanbe**, Seto (JP); **Yoshinori Izukura**, Seto (JP)

(73) Assignee: **Maruwa Co., Ltd.**, Owariasahi (JP)

(**) Term: **14 Years**

(21) Appl. No.: **29/370,617**

(22) Filed: **Aug. 12, 2010**

(30) **Foreign Application Priority Data**

Mar. 18, 2010 (JP) 2010-006724

(51) **LOC (9) Cl.** **13-03**

(52) **U.S. Cl.** **D13/182**

(58) **Field of Classification Search** D13/182;
333/181, 185; 336/65, 75, 83, 198, 200
See application file for complete search history.

(56) **References Cited**

U.S. PATENT DOCUMENTS

6,653,923	B2 *	11/2003	Li et al.	336/206
7,042,324	B2 *	5/2006	Watanabe	336/192
7,358,841	B2 *	4/2008	Kamio	336/83
7,463,130	B2 *	12/2008	Oki	336/192
7,623,014	B2 *	11/2009	Hsieh et al.	336/83
7,688,173	B2 *	3/2010	Azuma et al.	336/200
7,791,445	B2 *	9/2010	Manoukian et al.	336/200
7,812,700	B2 *	10/2010	Yoshimoto et al.	336/192
7,855,627	B2 *	12/2010	Nishikawa et al.	336/200

7,940,153	B2 *	5/2011	Watanabe	336/192
2002/0190829	A1 *	12/2002	Chang et al.	336/65
2003/0179062	A1 *	9/2003	Kuwata et al.	336/83
2003/0193384	A1 *	10/2003	Yang	336/65
2004/0174239	A1 *	9/2004	Shibata et al.	336/83
2006/0267716	A1 *	11/2006	Peng et al.	336/83
2007/0159282	A1 *	7/2007	Huang et al.	336/83
2007/0188286	A1 *	8/2007	Yoshimoto et al.	336/192

OTHER PUBLICATIONS

U.S. Appl. No. 29/373,837, filed May 27, 2011, Amano et al.

* cited by examiner

Primary Examiner — Selina Sikder

(74) *Attorney, Agent, or Firm* — Burr & Brown

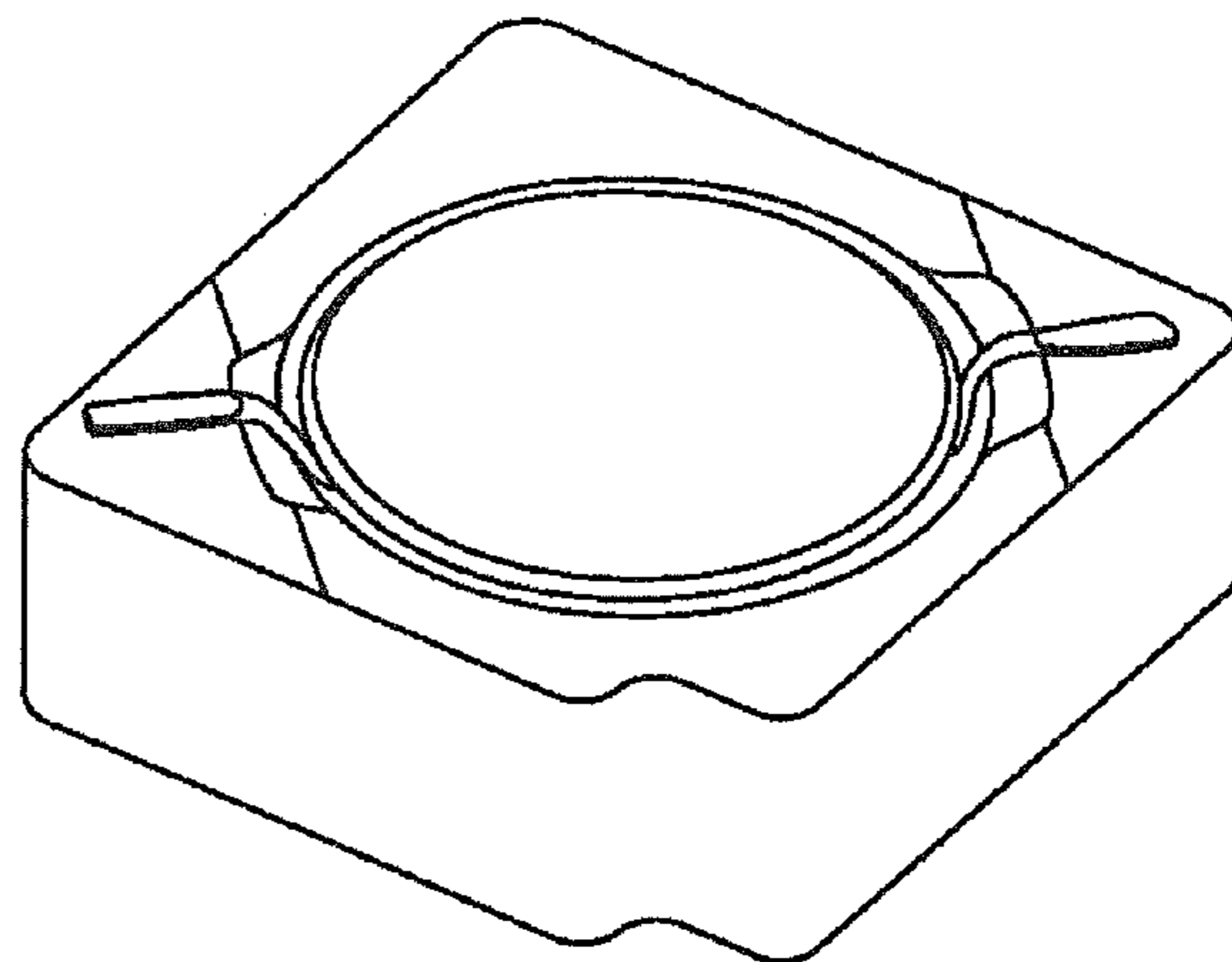
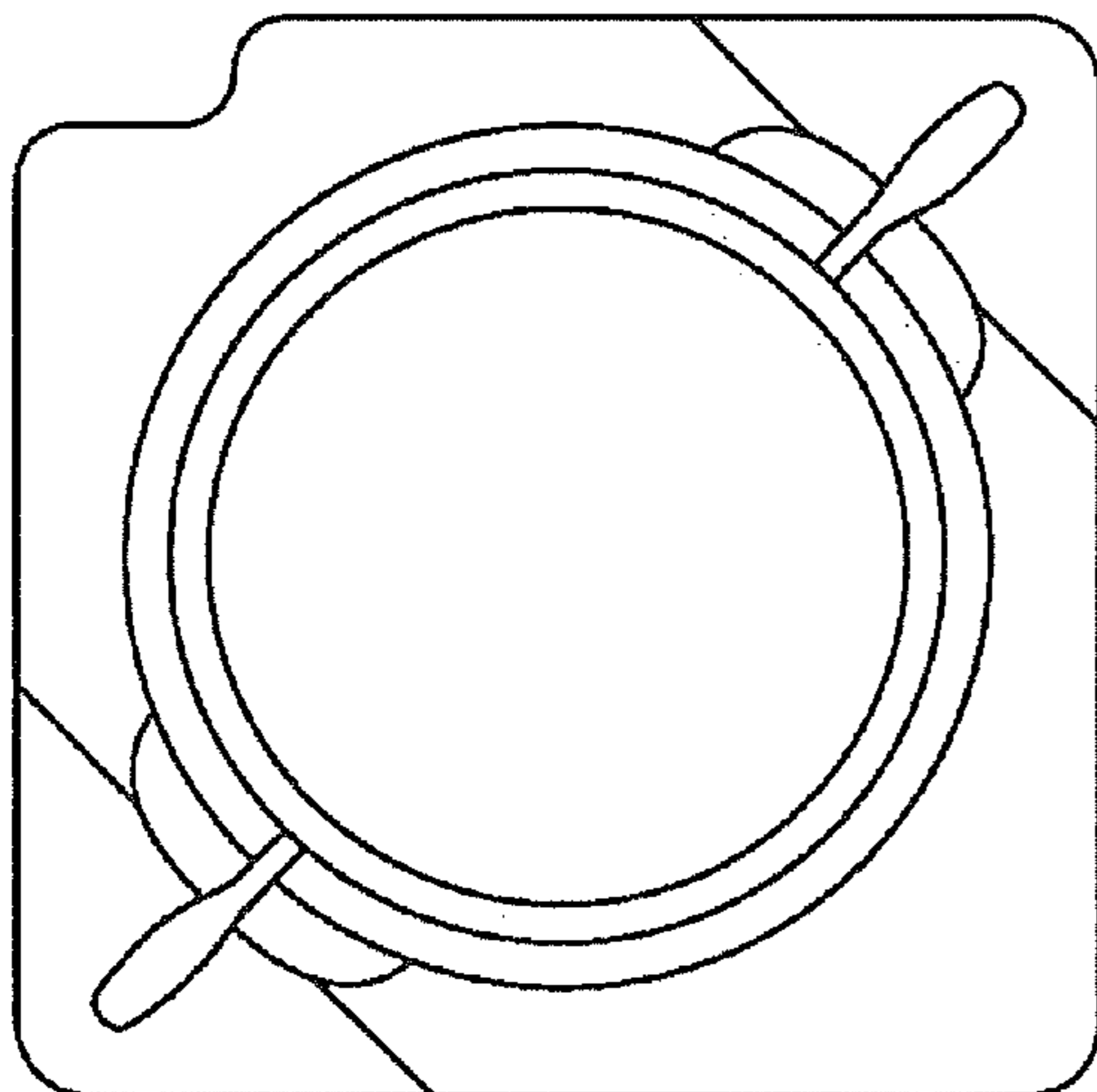
(57) **CLAIM**

The ornamental design for a surface-mounted coil, as shown and described.

DESCRIPTION

FIG. 1 is a front view of a surface-mounted coil illustrating my new design;
FIG. 2 is a rear view thereof;
FIG. 3 is a top view thereof;
FIG. 4 is a bottom view thereof;
FIG. 5 is a right side view thereof;
FIG. 6 is a left side view thereof; and,
FIG. 7 is a perspective view thereof.

1 Claim, 4 Drawing Sheets



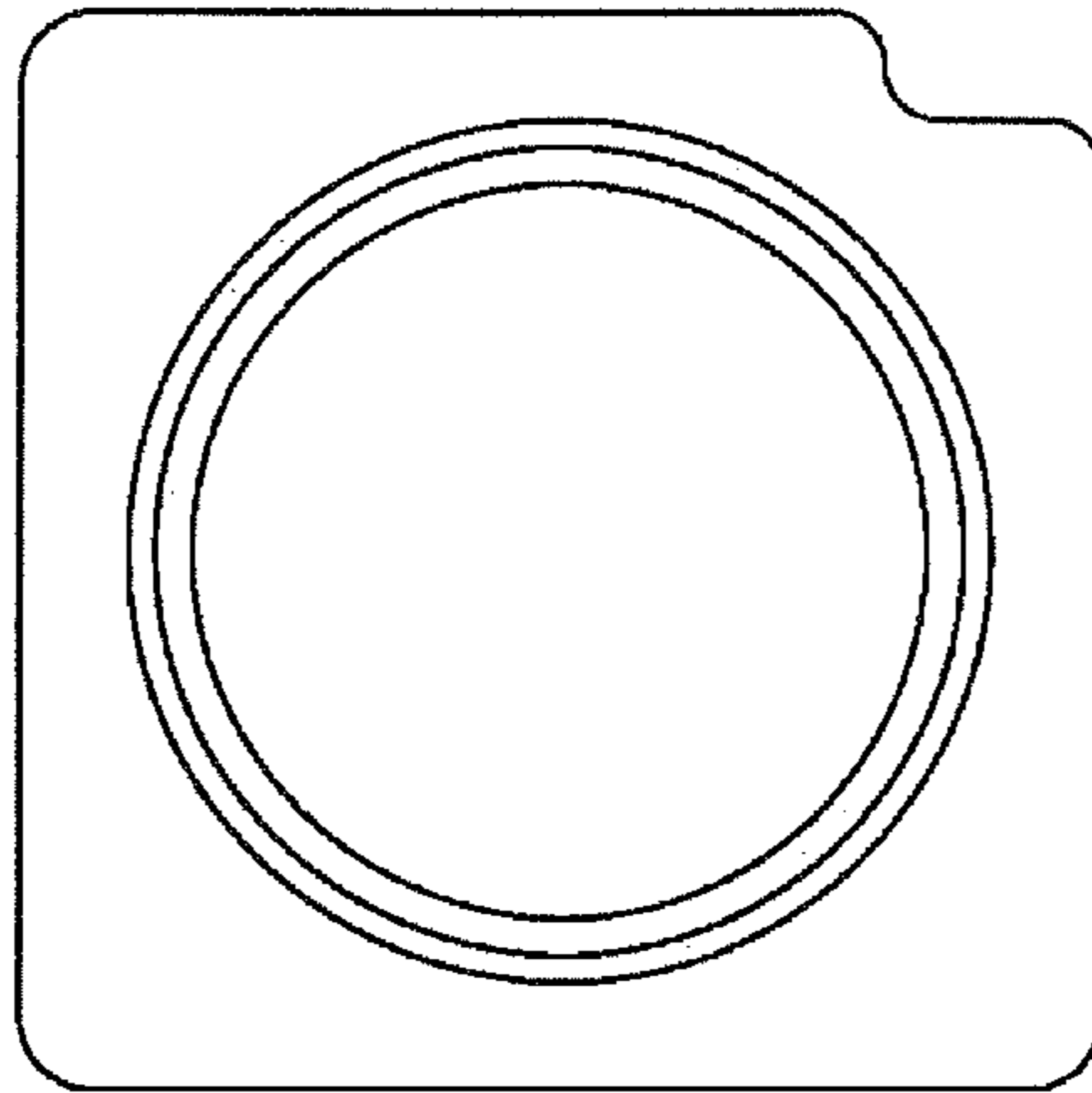


Fig. 1

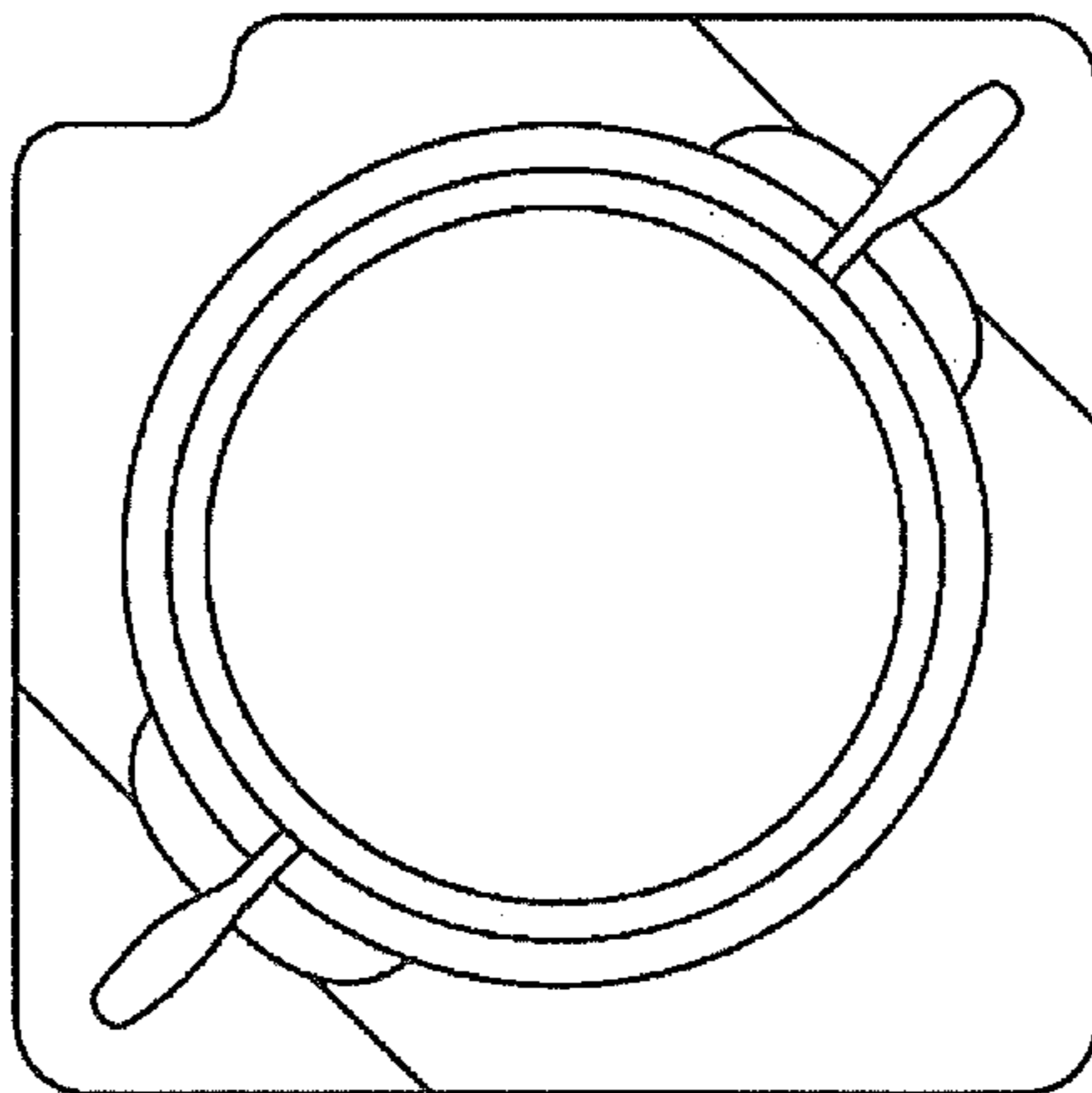


Fig. 2

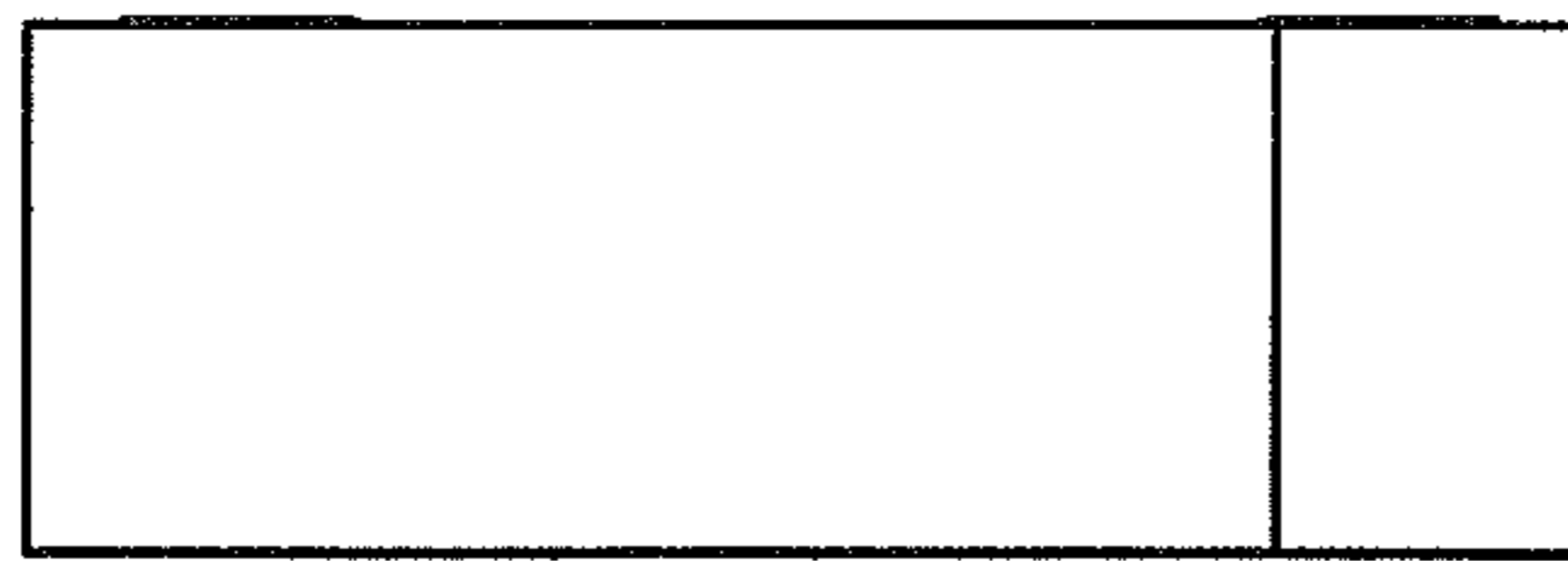


Fig. 3

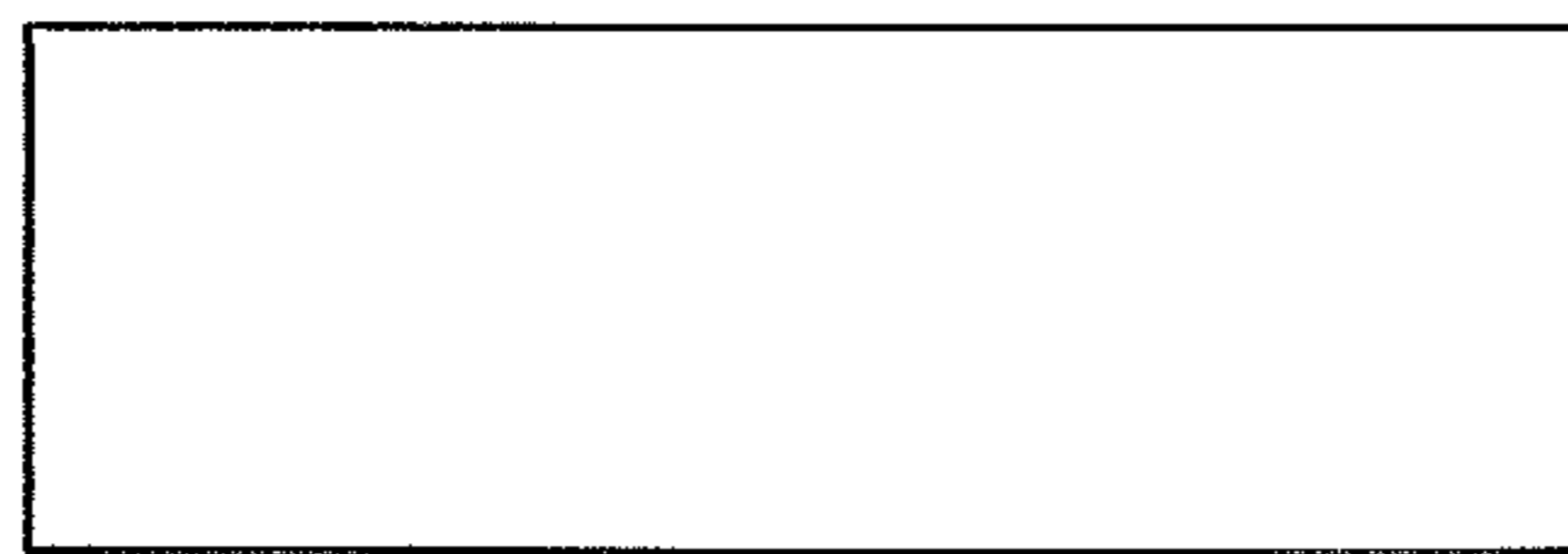


Fig. 4

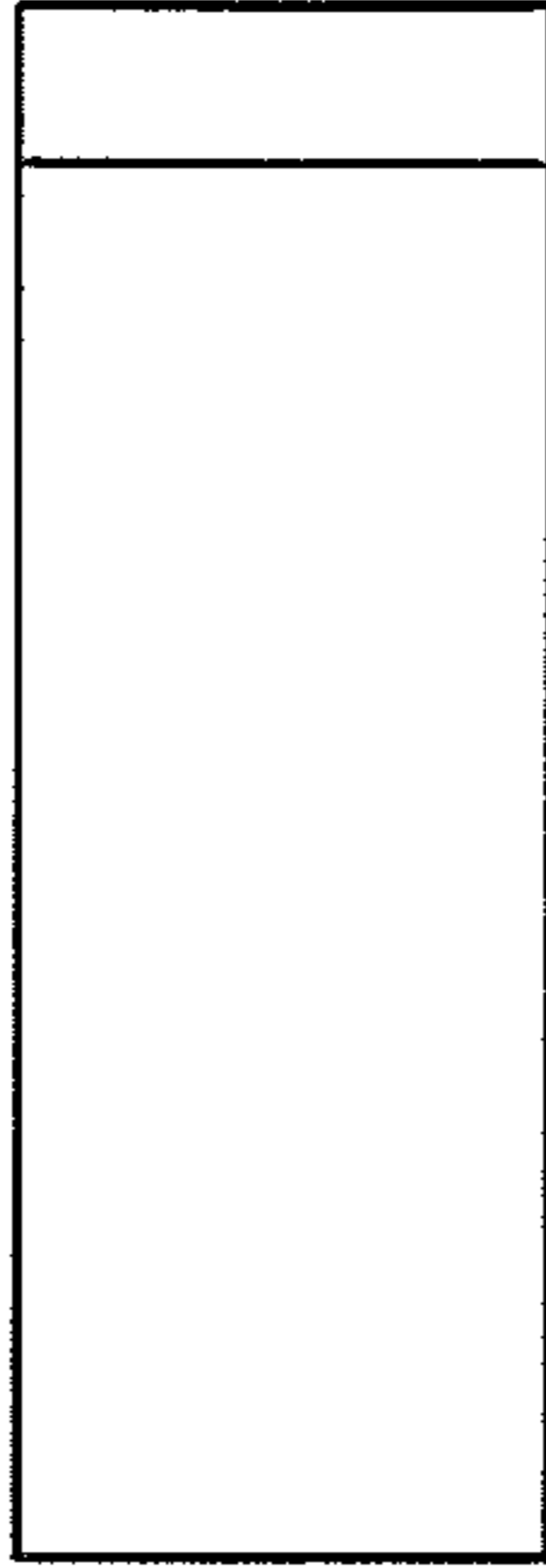


Fig. 5

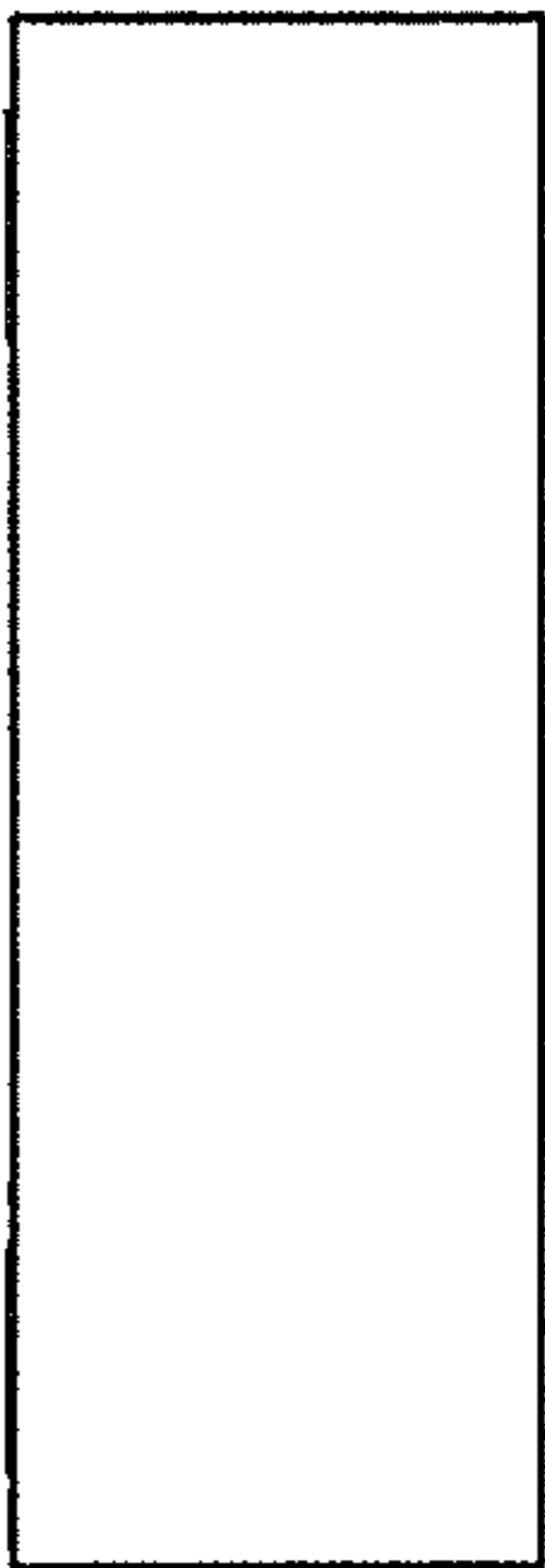


Fig. 6

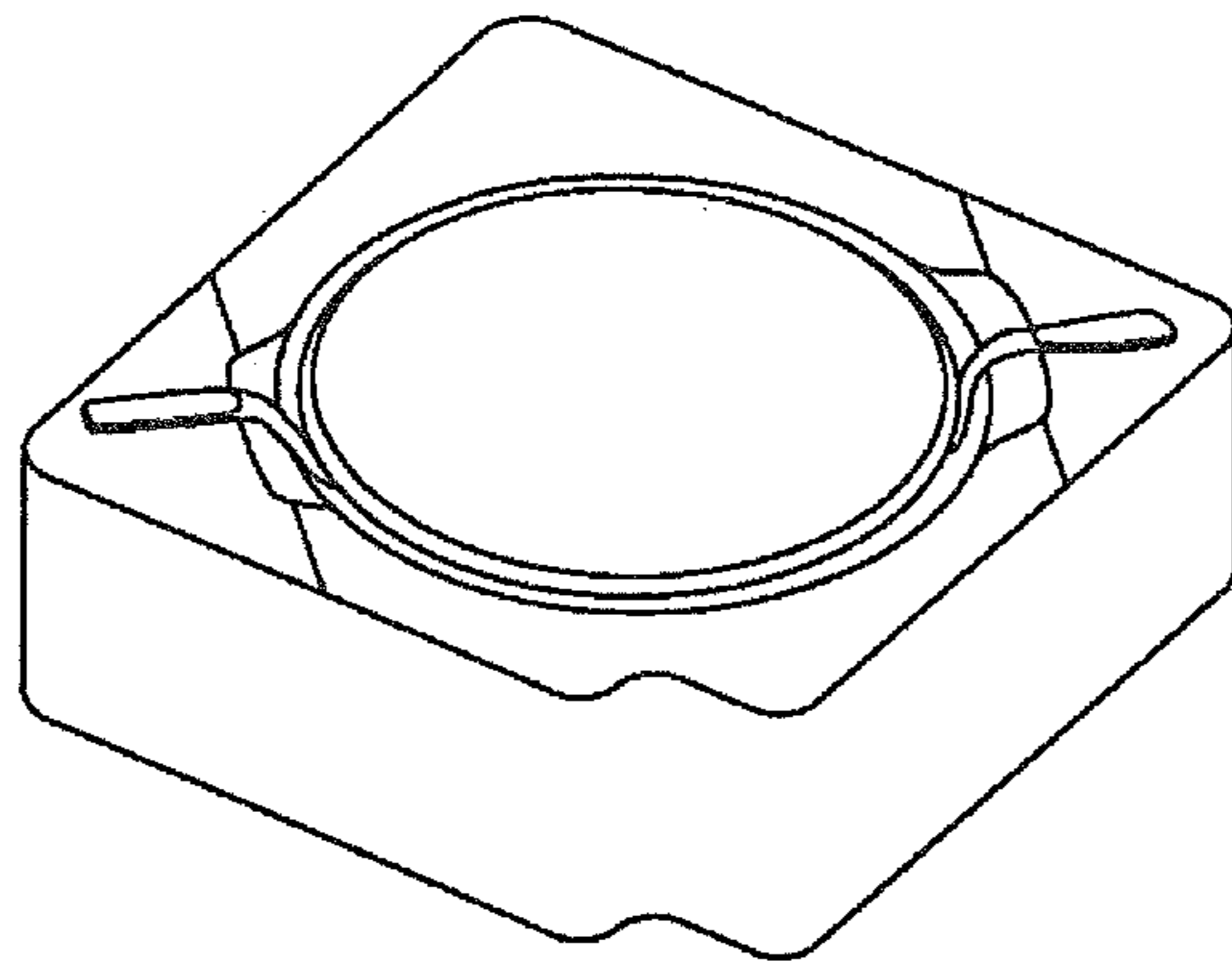


Fig. 7