

US00D671507S

(12) **United States Design Patent**  
**Lee et al.**

(10) **Patent No.:** **US D671,507 S**  
(45) **Date of Patent:** **\*\* Nov. 27, 2012**

(54) **LED DEVICE**

(75) Inventors: **Hou-Te Lee**, Kaoshiung (TW);  
**Tsung-Kang Ying**, New Taipei (TW);  
**Chia-Hung Chu**, Miaoli County (TW);  
**Shih-Po Yu**, New Taipei (TW)

(73) Assignees: **Silitek Electronic (Guangzhou) Co., Ltd.**, Guangzhou (CN); **Lite-On Technology Corporation**, Taipei (TW)

(\*\*) Term: **14 Years**

(21) Appl. No.: **29/405,658**

(22) Filed: **Nov. 4, 2011**

(51) **LOC (9) Cl.** ..... **13-03**

(52) **U.S. Cl.** ..... **D13/180**

(58) **Field of Classification Search** ..... D13/180;  
D26/1, 2; 257/79, 80, 81, 88, 89, 95, 98,  
257/99, 100, E33.058; 313/483, 498, 500;  
362/555, 800

See application file for complete search history.

(56) **References Cited**

U.S. PATENT DOCUMENTS

6,777,719 B1 \* 8/2004 Fujii ..... 257/99  
7,049,639 B2 \* 5/2006 Wang et al. .... 257/99  
D590,354 S \* 4/2009 Tsuchiya et al. .... D13/180  
D590,358 S \* 4/2009 Miyashita et al. .... D13/180

7,731,405 B2 \* 6/2010 Ishizaka et al. .... 362/555  
D624,886 S \* 10/2010 Ni et al. .... D13/180  
D640,644 S \* 6/2011 Tsou ..... D13/180  
2006/0113906 A1 \* 6/2006 Ogawa ..... 313/512  
2010/0072502 A1 \* 3/2010 Kadotani ..... 257/98

\* cited by examiner

*Primary Examiner* — Selina Sikder

(74) *Attorney, Agent, or Firm* — Li & Cai Intellectual Property (USA) Office

(57) **CLAIM**

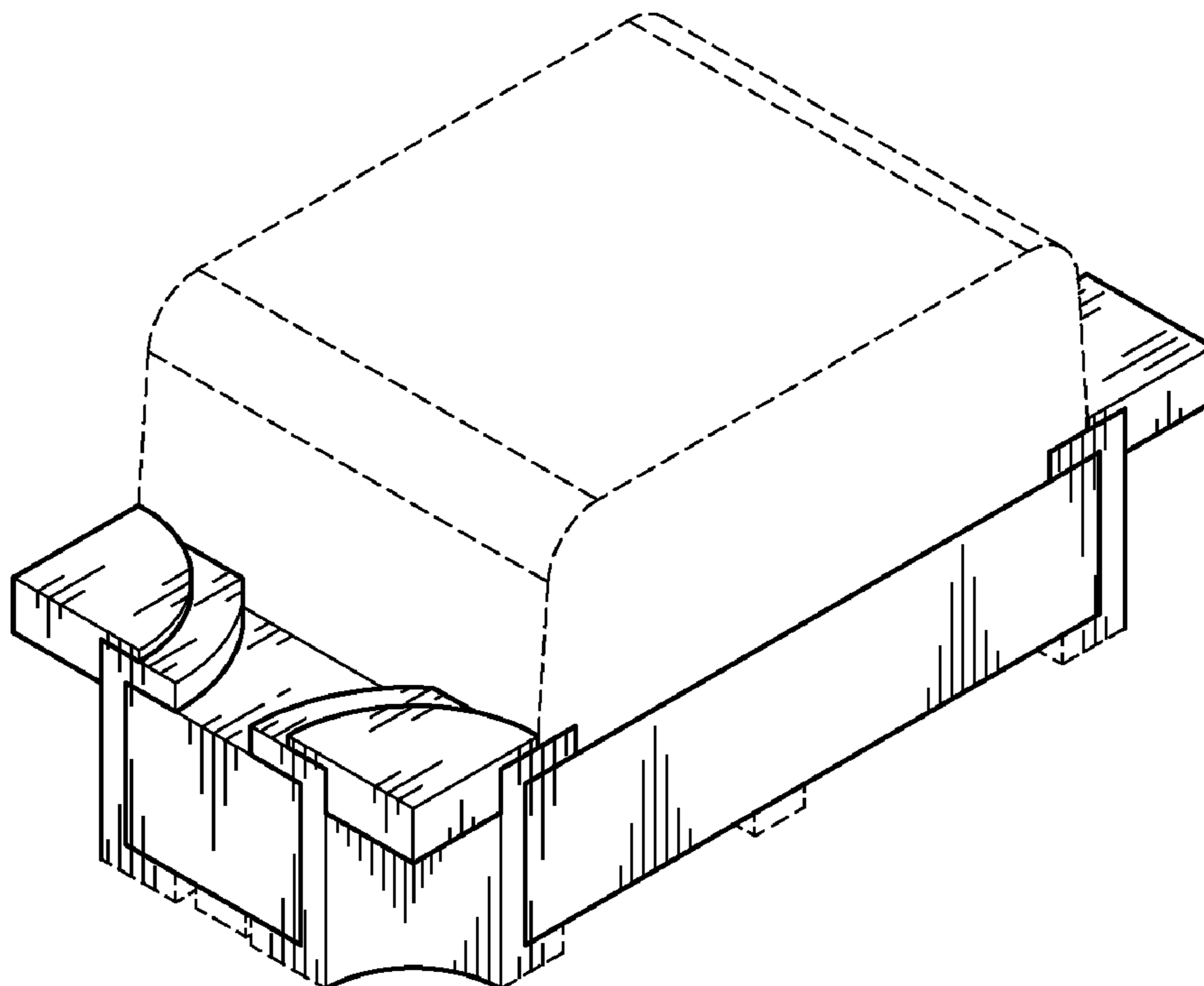
The ornamental design for a “LED device,” as shown and described.

**DESCRIPTION**

FIG. 1 is a perspective view of a “LED device” showing my new design;  
FIG. 2 is a front view thereof;  
FIG. 3 is a rear view thereof;  
FIG. 4 is a left side view thereof;  
FIG. 5 is a right side view thereof;  
FIG. 6 is a top view thereof;  
FIG. 7 is a bottom view thereof; and,  
FIG. 8 is a perspective view viewed from another visual angle.

The dashed lines in the drawings are for illustrative purpose only and form no part of the claimed design.

**1 Claim, 5 Drawing Sheets**



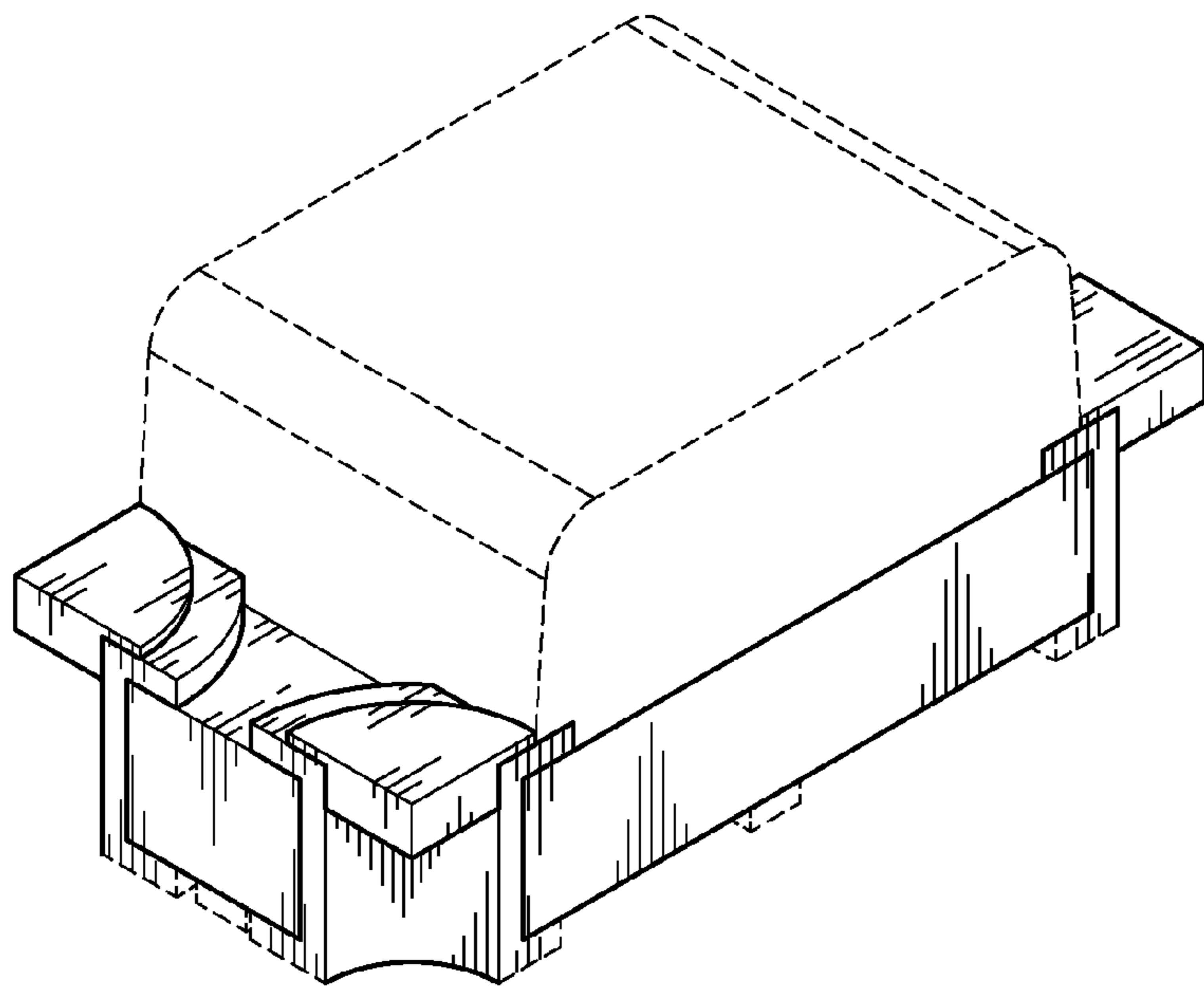


FIG. 1

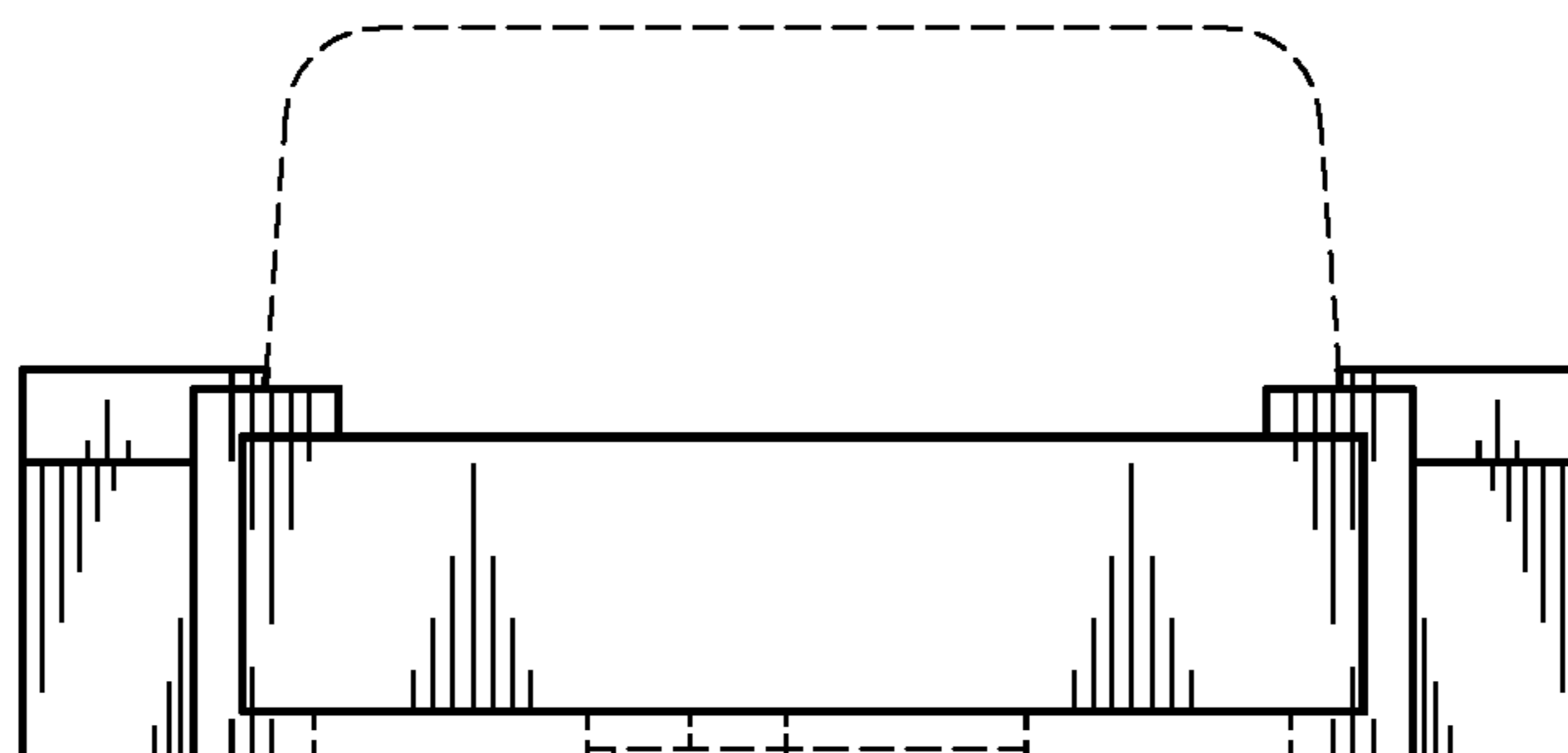


FIG. 2

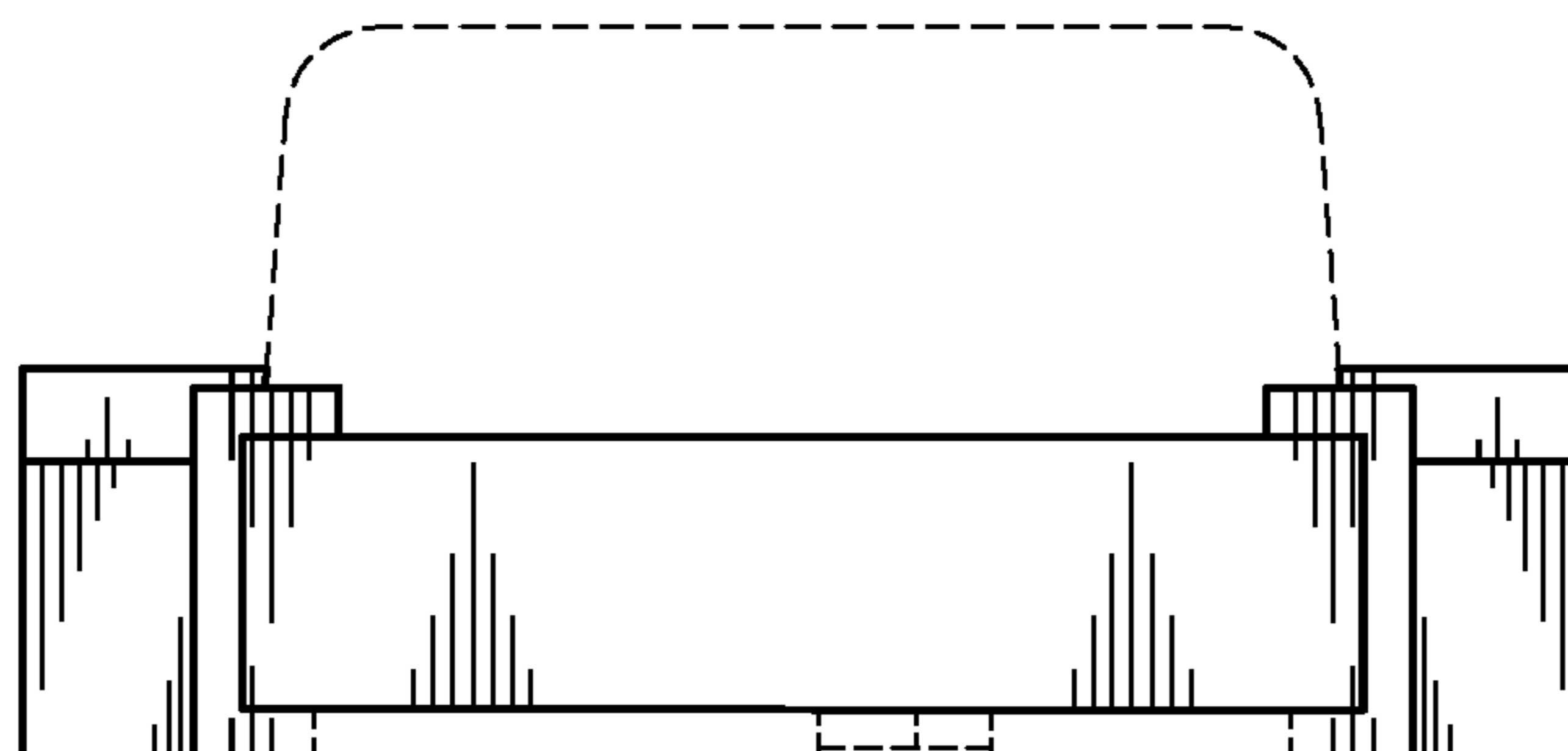


FIG. 3

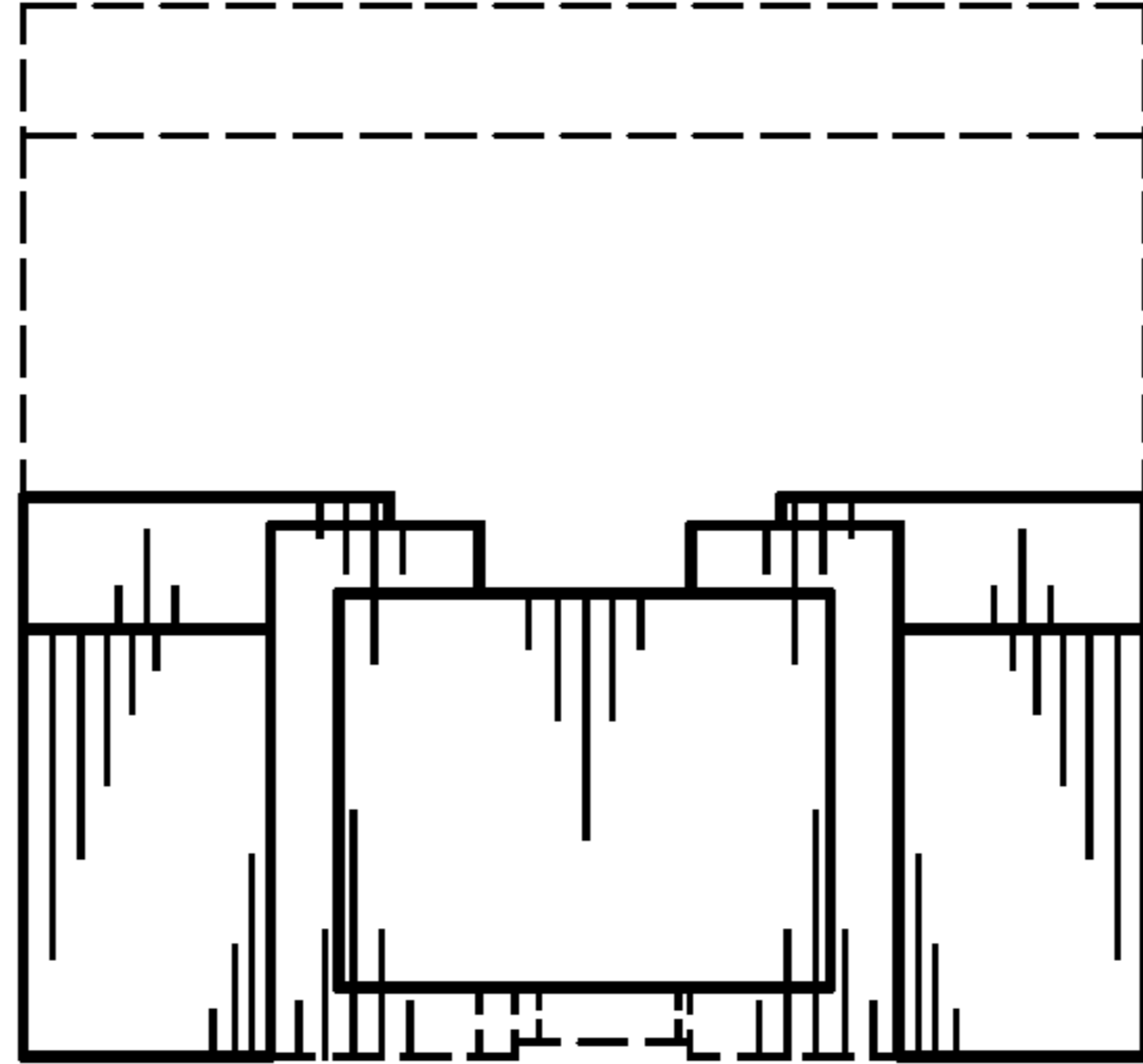


FIG. 4

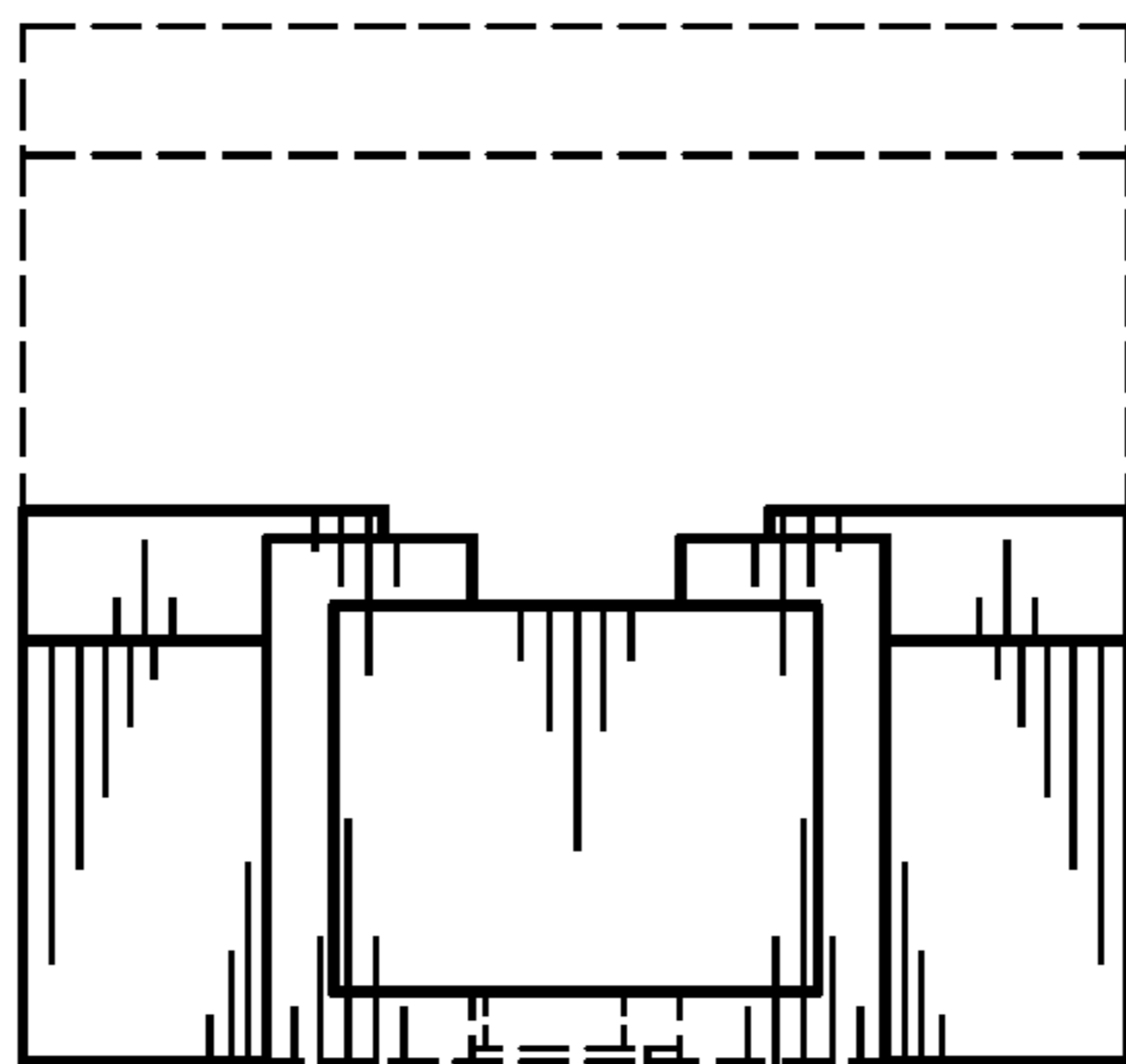


FIG. 5



FIG. 6

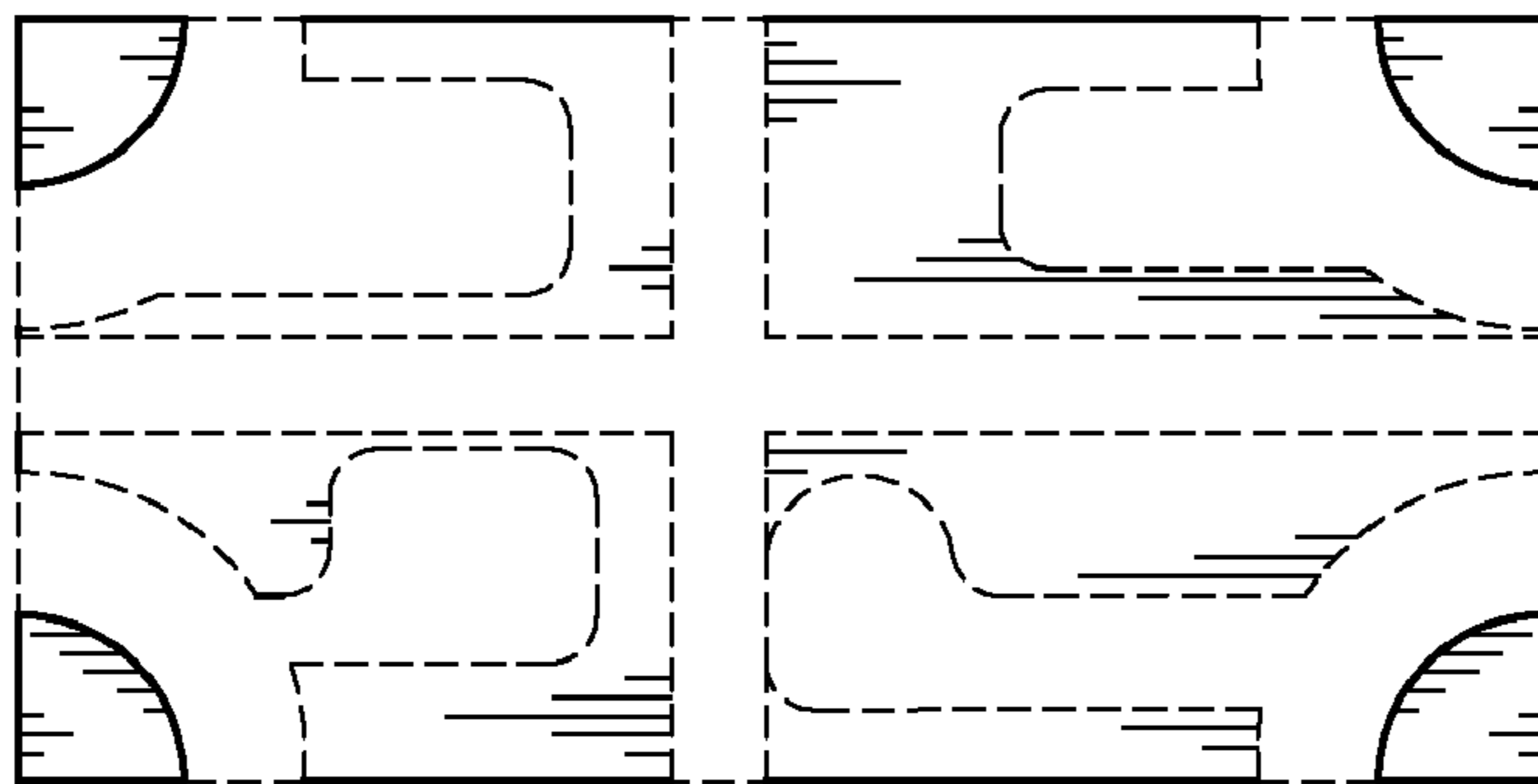


FIG. 7

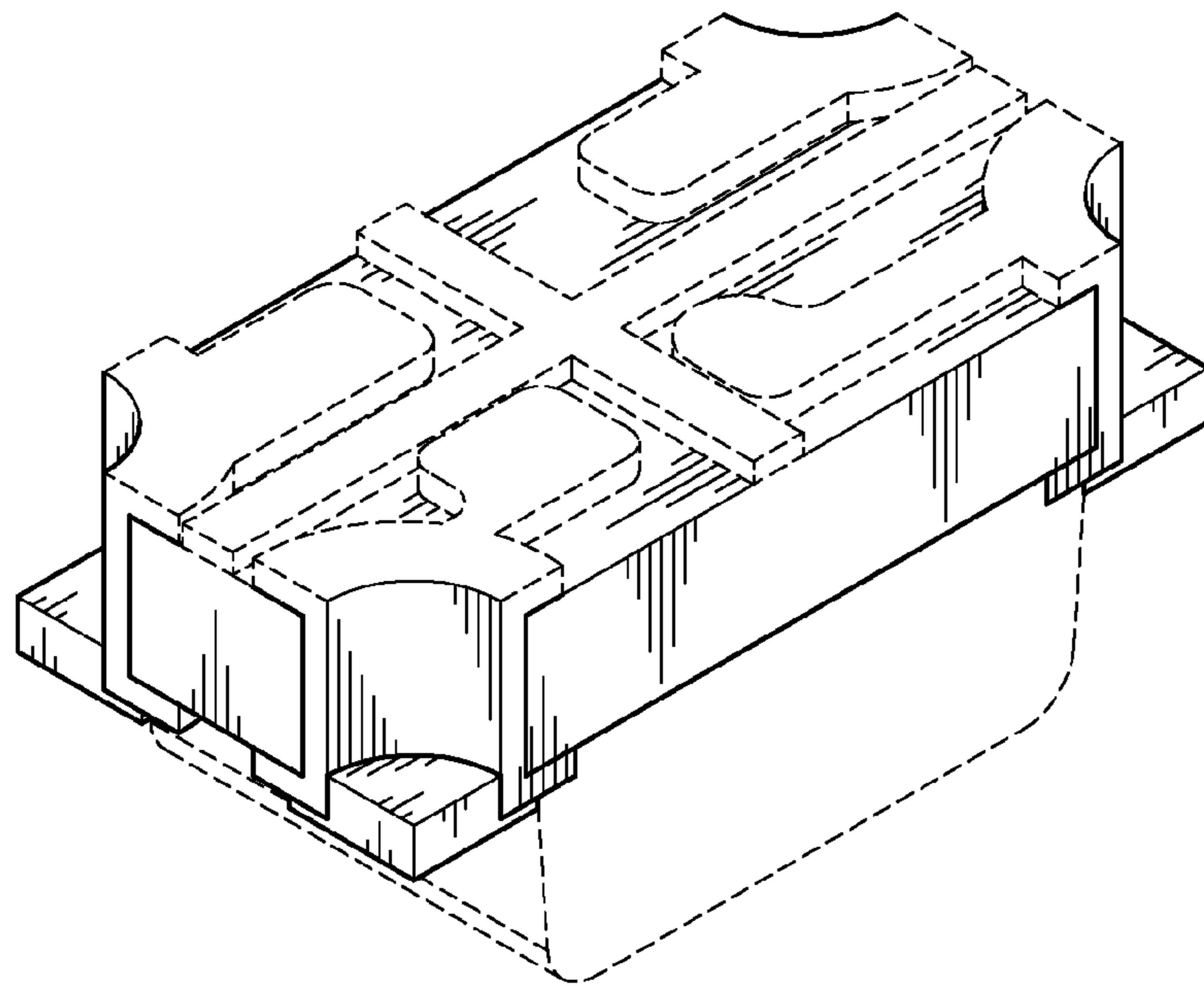


FIG. 8