



US00D671506S

(12) **United States Design Patent**
Lee et al.

(10) **Patent No.:** **US D671,506 S**
(45) **Date of Patent:** **** Nov. 27, 2012**

(54) **LED DEVICE**

(75) Inventors: **Hou-Te Lee**, Kaohsiung (TW);
Tsung-Kang Ying, New Taipei (TW);
Chia-Hung Chu, Miaoli County (TW);
Shih-Po Yu, New Taipei (TW)

(73) Assignees: **Silitek Electric (Guangzhou) Co., Ltd.**,
Guangzhou (CN); **Lite-On Technology**
Corporation, Taipei (TW)

(**) Term: **14 Years**

(21) Appl. No.: **29/405,656**

(22) Filed: **Nov. 4, 2011**

(51) **LOC (9) Cl.** **13-03**

(52) **U.S. Cl.** **D13/180**

(58) **Field of Classification Search** D13/180;
D26/1, 2; 257/79, 80, 81, 88, 89, 95, 98,
257/99, 100, E33.058; 313/483, 498, 500;
362/555, 800

See application file for complete search history.

(56) **References Cited**

U.S. PATENT DOCUMENTS

6,777,719 B1 * 8/2004 Fujii 257/99
7,049,639 B2 * 5/2006 Wang et al. 257/99
D590,354 S * 4/2009 Tsuchiya et al. D13/180
D590,358 S * 4/2009 Miyashita et al. D13/180

7,731,405 B2 * 6/2010 Ishizaka et al. 362/555
D624,886 S * 10/2010 Ni et al. D13/180
D640,644 S * 6/2011 Tsou D13/180
2006/0113906 A1 * 6/2006 Ogawa 313/512
2010/0072502 A1 * 3/2010 Kadotani 257/98

* cited by examiner

Primary Examiner — Selina Sikder

(74) *Attorney, Agent, or Firm* — Li & Cai Intellectual
Property (USA) Office

(57) **CLAIM**

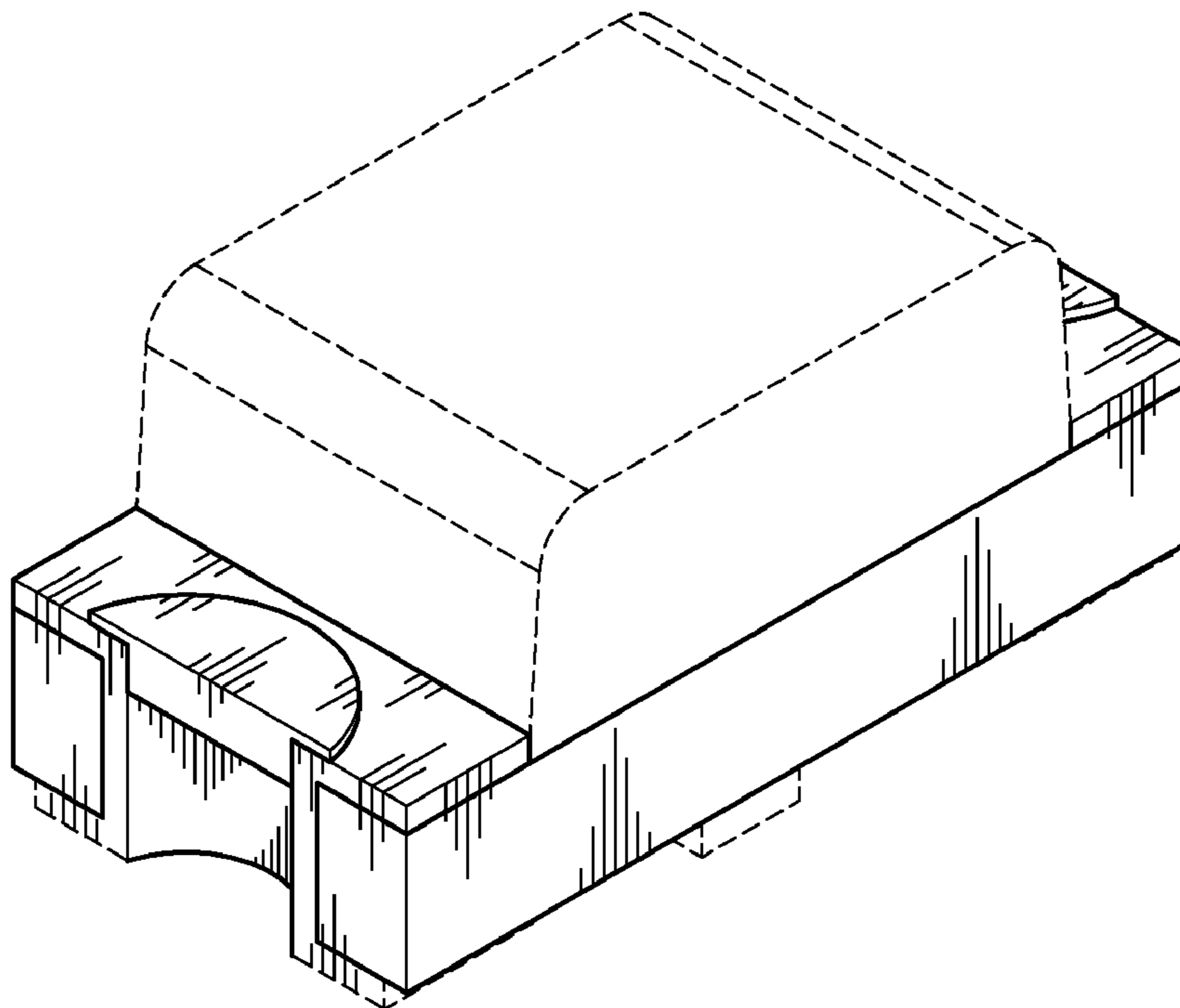
The ornamental design for a “LED device,” as shown and
described.

DESCRIPTION

FIG. 1 is a perspective view of a “LED device” showing my
new design;
FIG. 2 is a front view thereof;
FIG. 3 is a rear view thereof;
FIG. 4 is a left side view thereof;
FIG. 5 is a right side view thereof;
FIG. 6 is a top view thereof;
FIG. 7 is a bottom view thereof; and,
FIG. 8 is a perspective view viewed from another visual
angle.

The dashed lines in the drawings are for illustrative purpose
only and form no part of the claimed design.

1 Claim, 5 Drawing Sheets



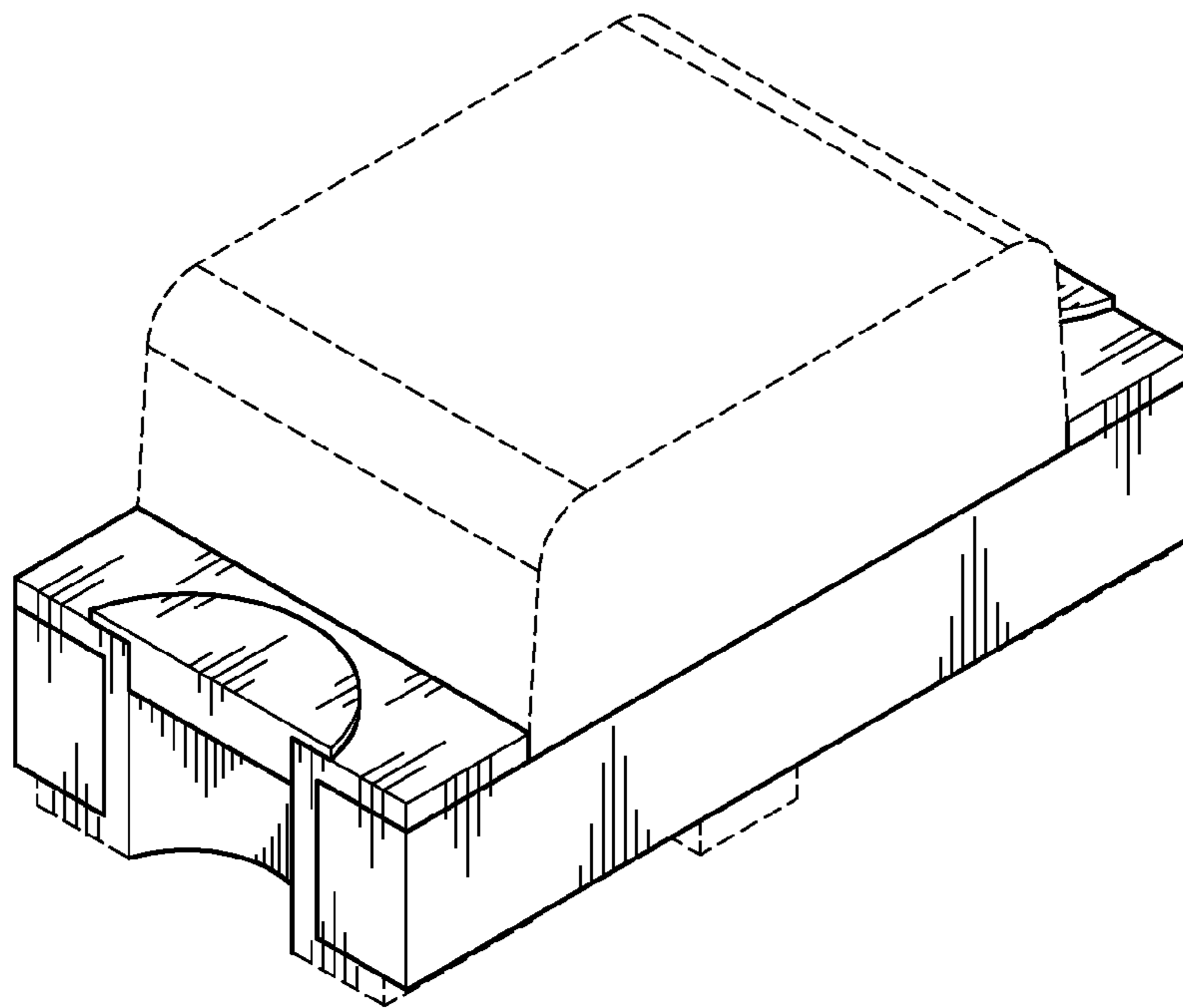


FIG. 1

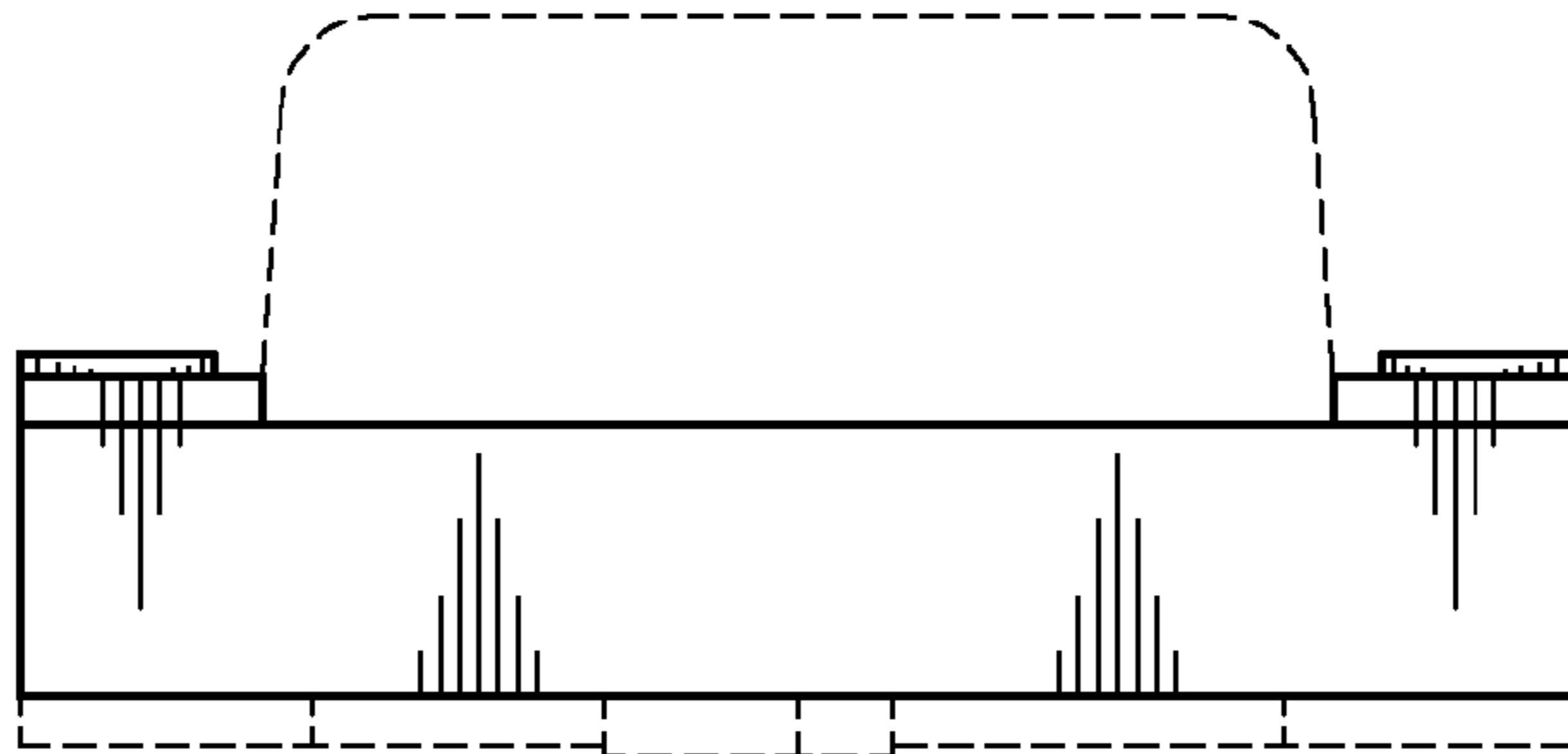


FIG. 2

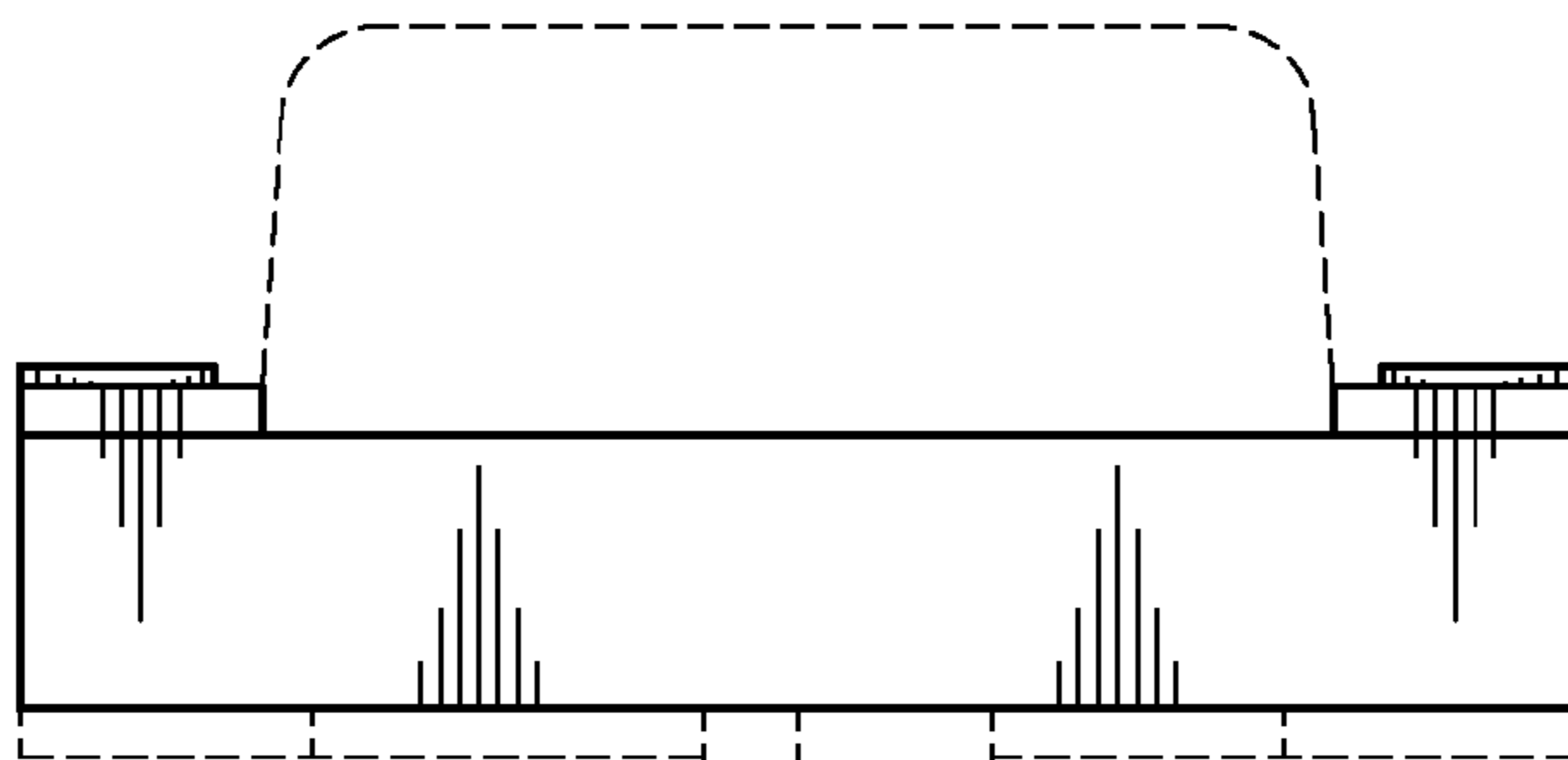


FIG. 3

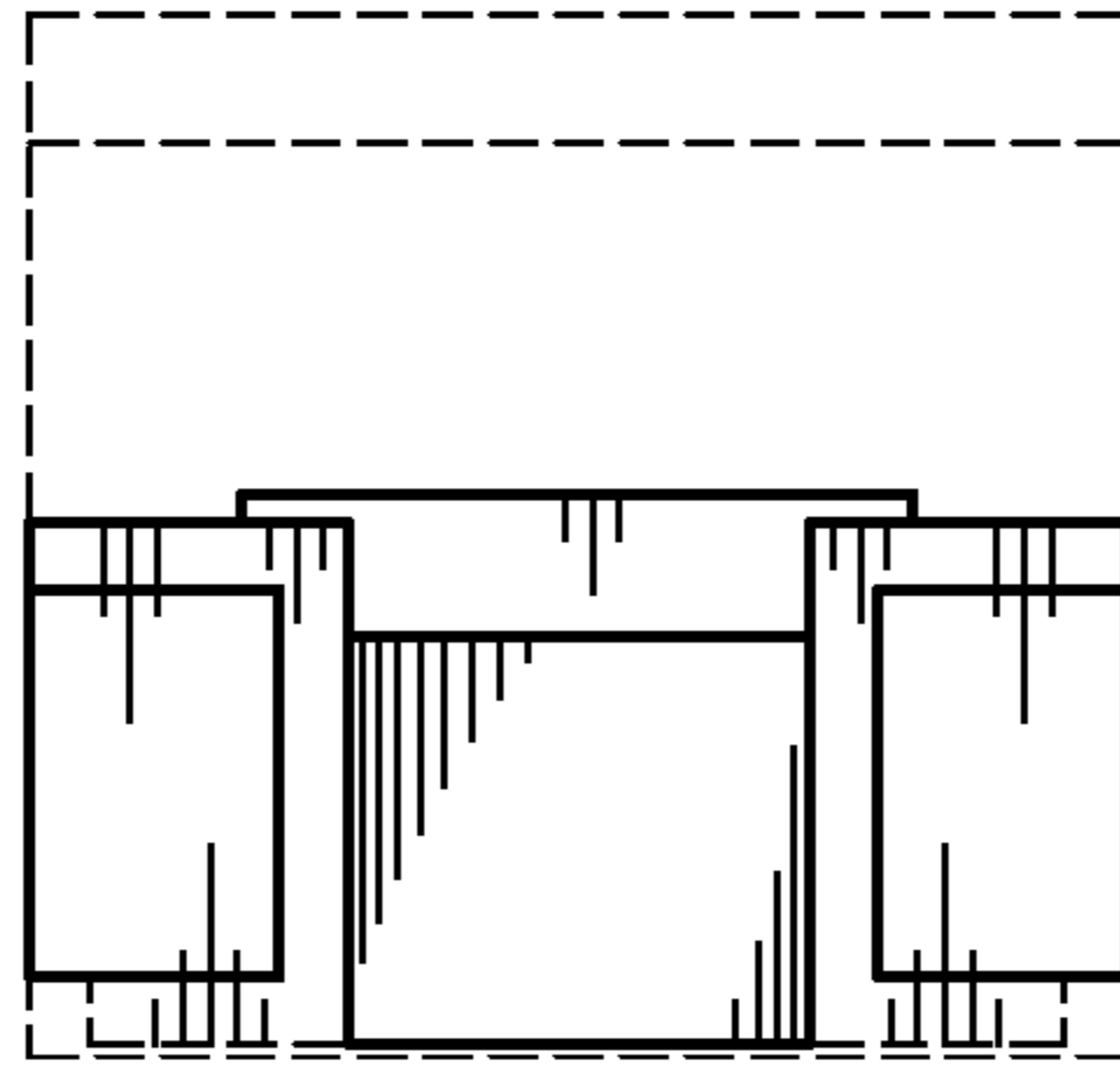


FIG. 4

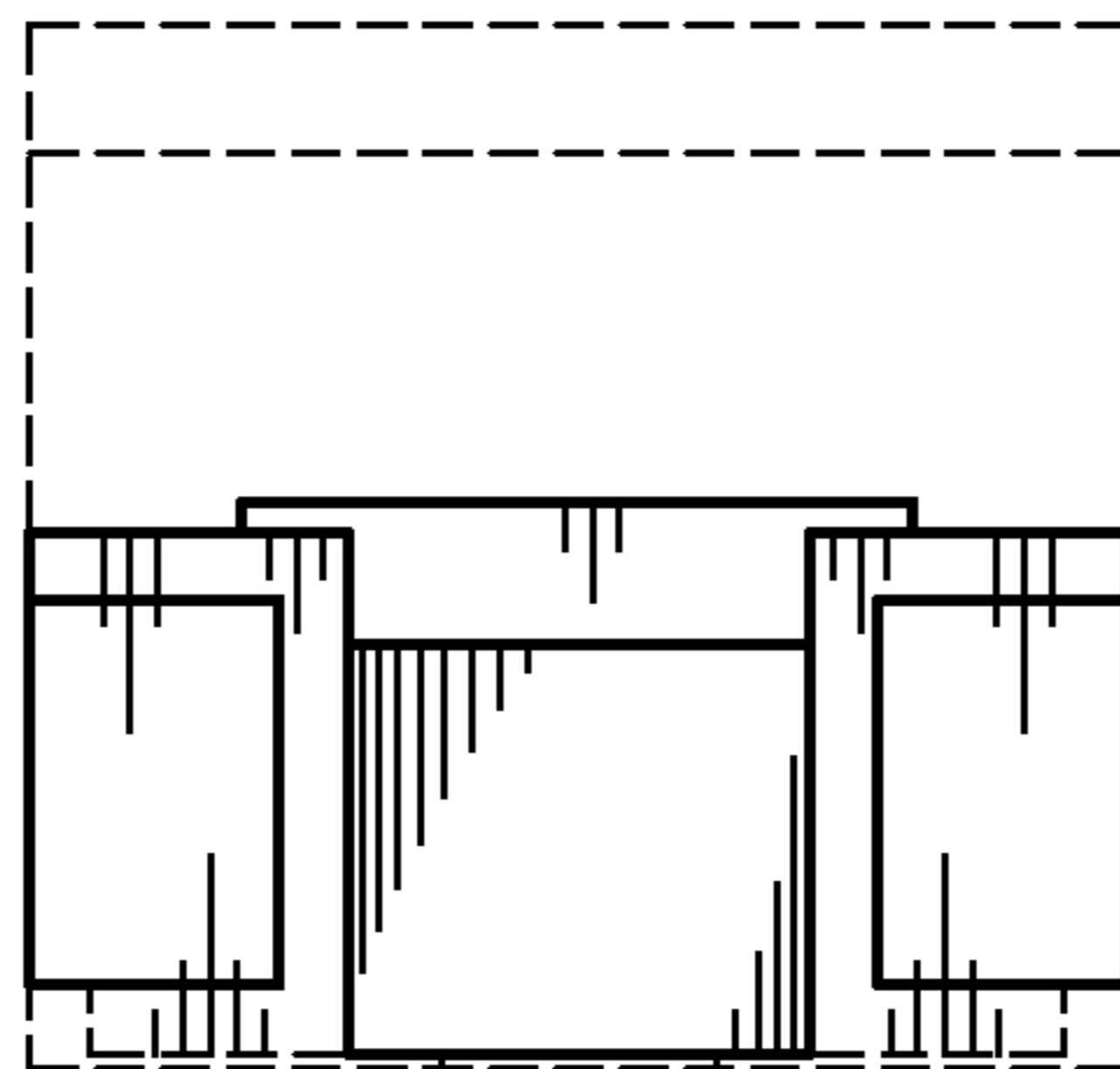


FIG. 5



FIG. 6

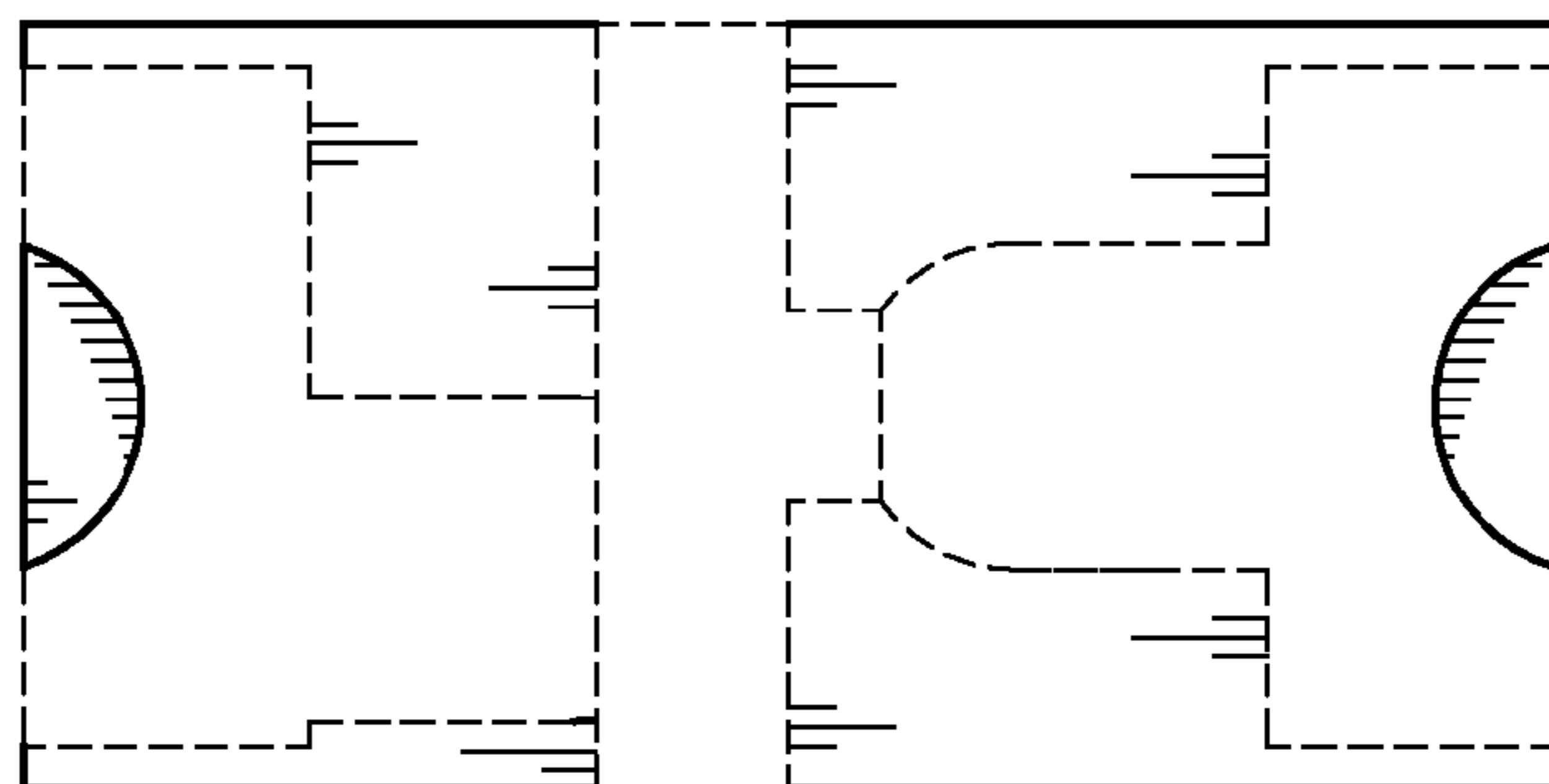


FIG. 7

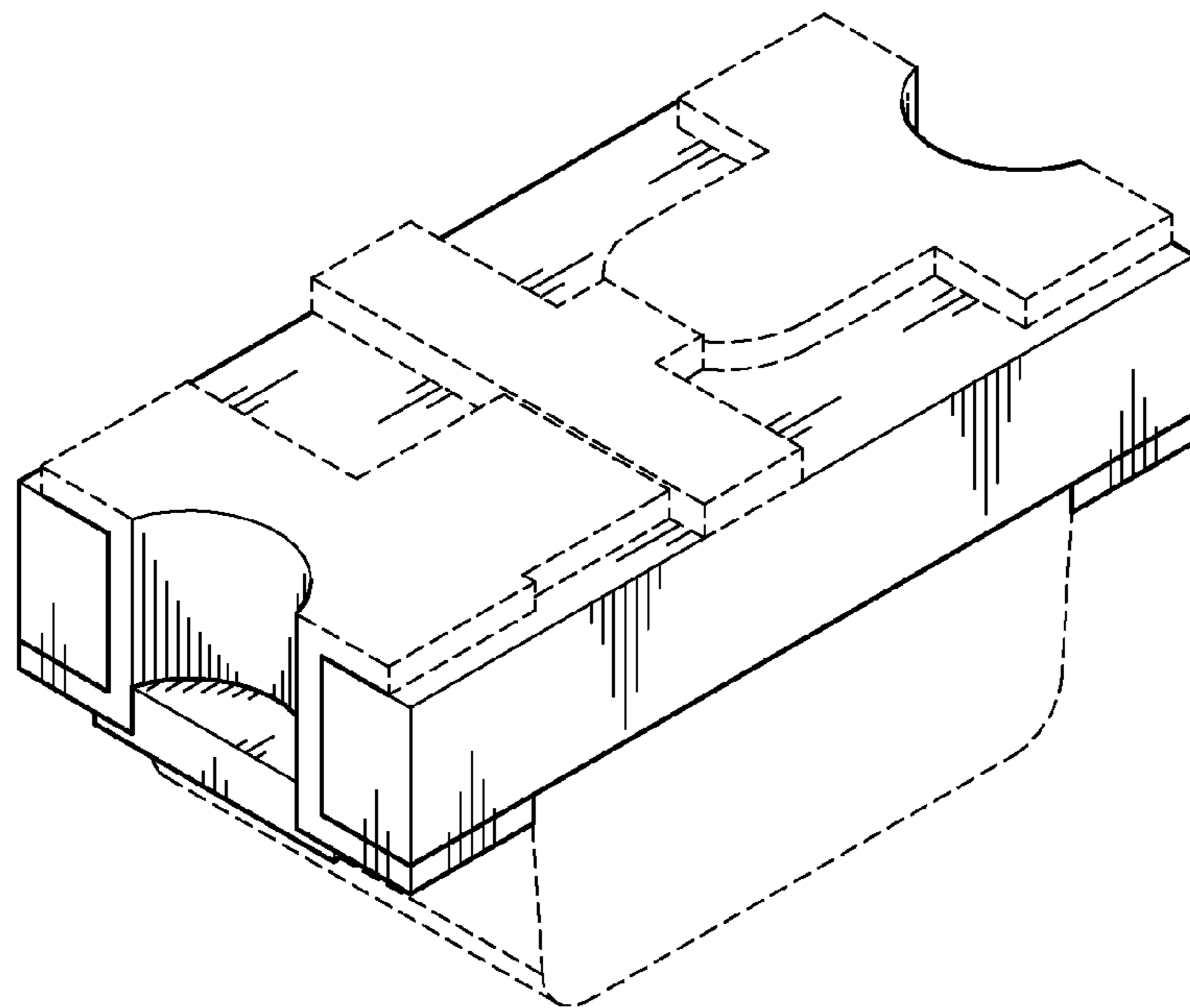


FIG. 8

UNITED STATES PATENT AND TRADEMARK OFFICE
CERTIFICATE OF CORRECTION

PATENT NO. : D671,506 S
APPLICATION NO. : 29/405656
DATED : November 27, 2012
INVENTOR(S) : Lee et al.

Page 1 of 1

It is certified that error appears in the above-identified patent and that said Letters Patent is hereby corrected as shown below:

On the title page

Item [73] should read: SILITEK ELECTRONIC (GUANGZHOU) CO., LTD., GUANGZHOU (CN)
LITE-ON TECHNOLOGY CORPORATION, TAIPEI (TW)

Signed and Sealed this
Fourteenth Day of October, 2014



Michelle K. Lee
Deputy Director of the United States Patent and Trademark Office