



US00D671504S

(12) **United States Design Patent**
Andoh et al.

(10) **Patent No.:** **US D671,504 S**
(45) **Date of Patent:** **** Nov. 27, 2012**

(54) **FUSE**

(75) Inventors: **Hideki Andoh**, Gifu-ken (JP); **Takeshi Yamakawa**, Gifu-ken (JP)

(73) Assignee: **Pacific Engineering Corp.**, Gifu-ken (JP)

(**) Term: **14 Years**

(21) Appl. No.: **29/402,171**

(22) Filed: **Sep. 21, 2011**

(30) **Foreign Application Priority Data**

Apr. 7, 2011 (JP) 2011-008028

(51) **LOC (9) Cl.** **13-03**

(52) **U.S. Cl.** **D13/161**

(58) **Field of Classification Search** D13/133,
D13/146, 147, 153, 154, 160, 161, 184, 199;
439/606, 638, 668, 669, 701, 740; D3/215,
D3/218; D14/188, 226, 251, 256, 496, 217,
D14/223

See application file for complete search history.

(56) **References Cited**

U.S. PATENT DOCUMENTS

4,604,602 A * 8/1986 Borzoni 337/264
4,635,023 A * 1/1987 Oh 337/163

4,998,086 A * 3/1991 Kourinsky et al. 337/255
5,668,522 A * 9/1997 Kondo et al. 337/198
6,452,474 B1 * 9/2002 Oh 337/278
6,545,585 B2 * 4/2003 Endo et al. 337/260
6,556,121 B2 * 4/2003 Endo et al. 337/260
D575,745 S 8/2008 Beckert
D575,746 S 8/2008 Bold
8,077,007 B2 * 12/2011 Urrea et al. 337/161

FOREIGN PATENT DOCUMENTS

JP 819207 9/1991
JP 7-11745 2/1995
JP 1139245 4/2002

* cited by examiner

Primary Examiner — Thomas Johannes

(74) *Attorney, Agent, or Firm* — Patterson Thuent Christensen Pedersen, P.A.

(57) **CLAIM**

The ornamental design for a fuse, as shown and described.

DESCRIPTION

FIG. 1 is a perspective view of a fuse showing our new design; FIG. 2 is a front view thereof, the rear view being identical to the front view;

FIG. 3 is a top plan view thereof;

FIG. 4 is a bottom plan view thereof; and,

FIG. 5 is a right side view thereof, the left side view being identical to the right side view.

1 Claim, 4 Drawing Sheets

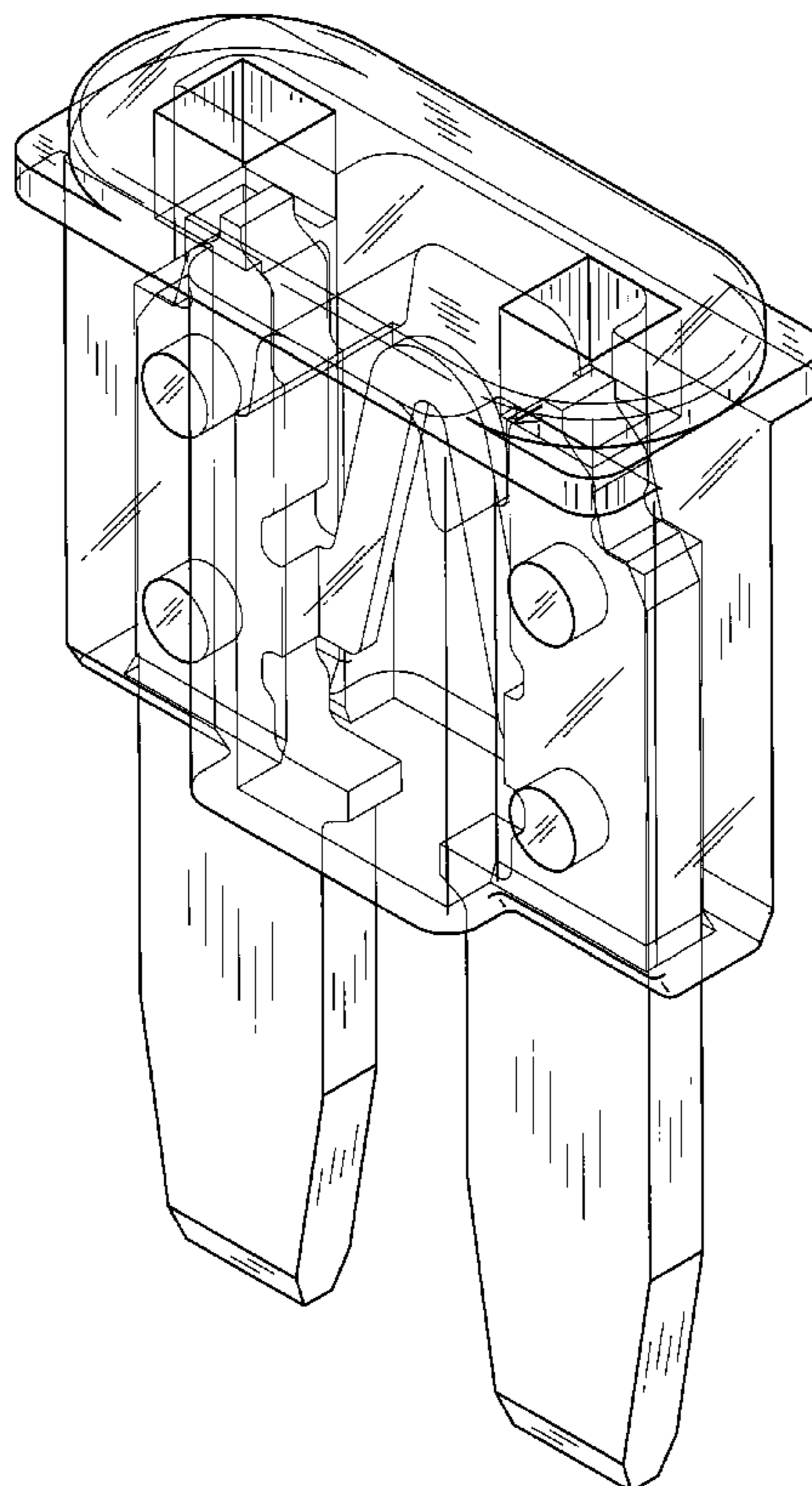


Fig. 1

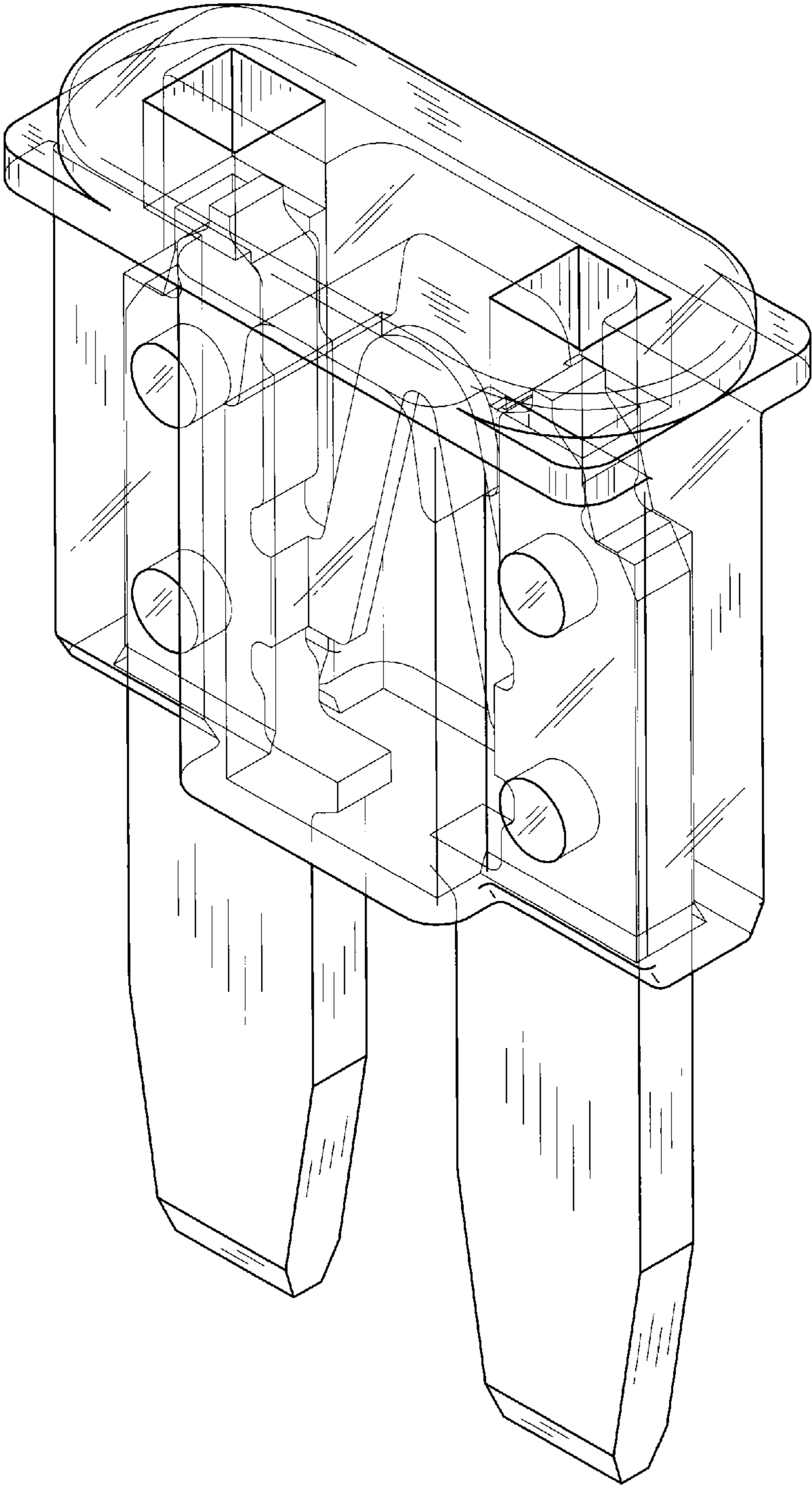


Fig. 2

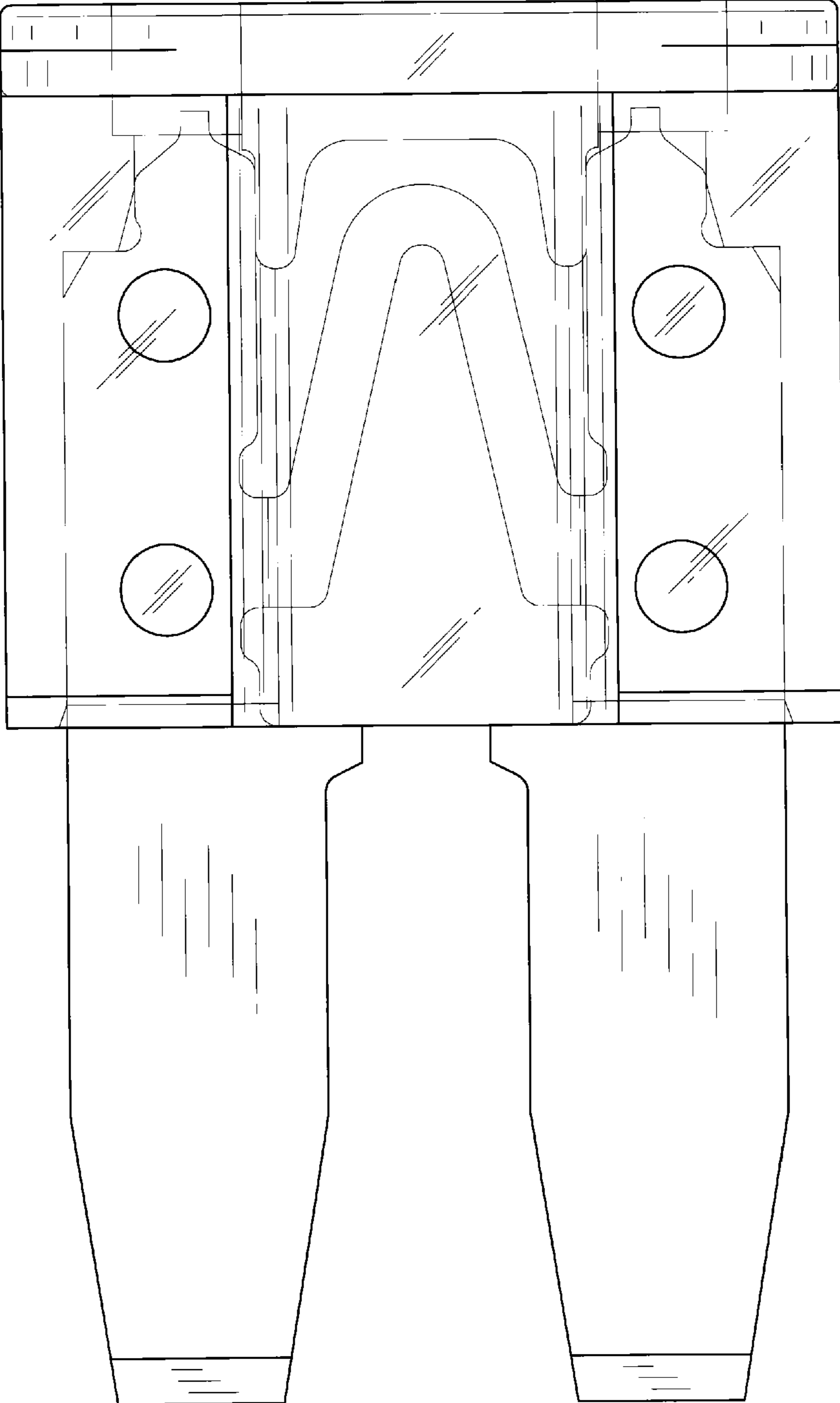


Fig.3

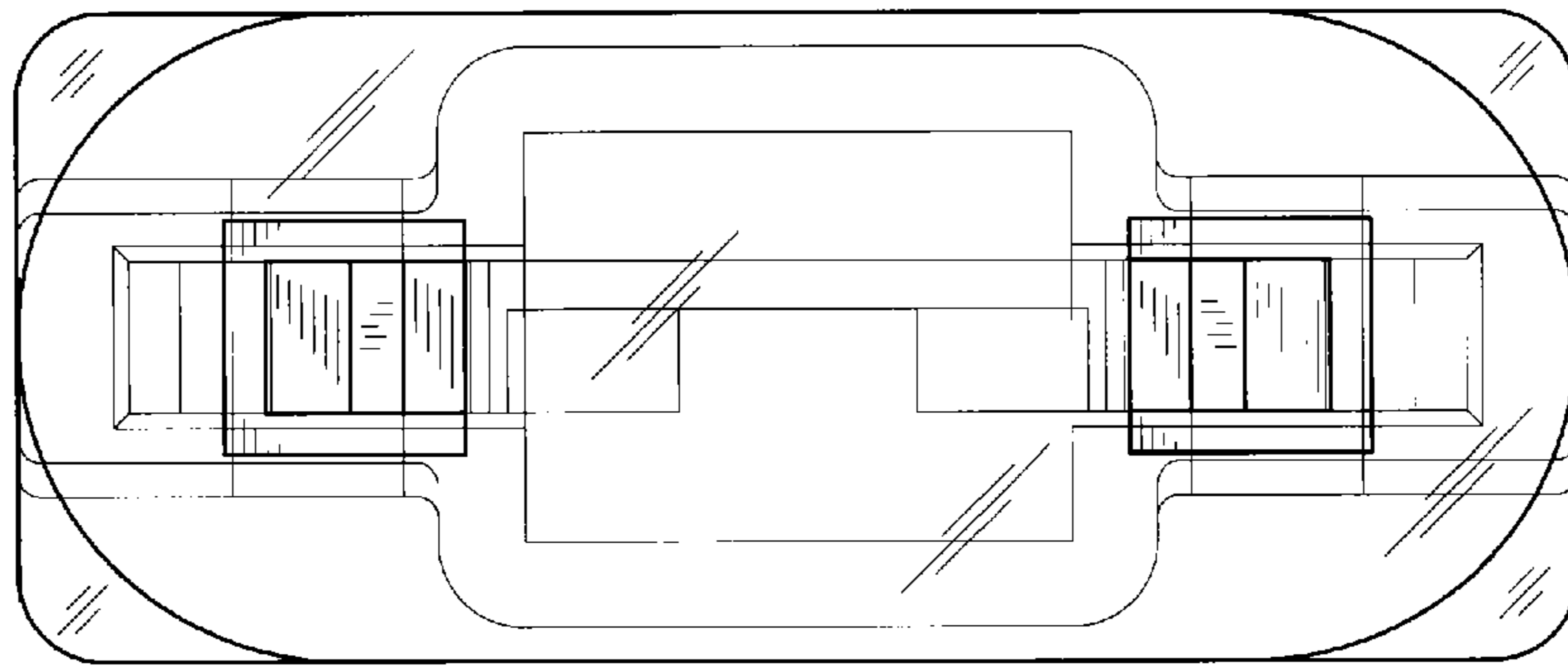


Fig.4

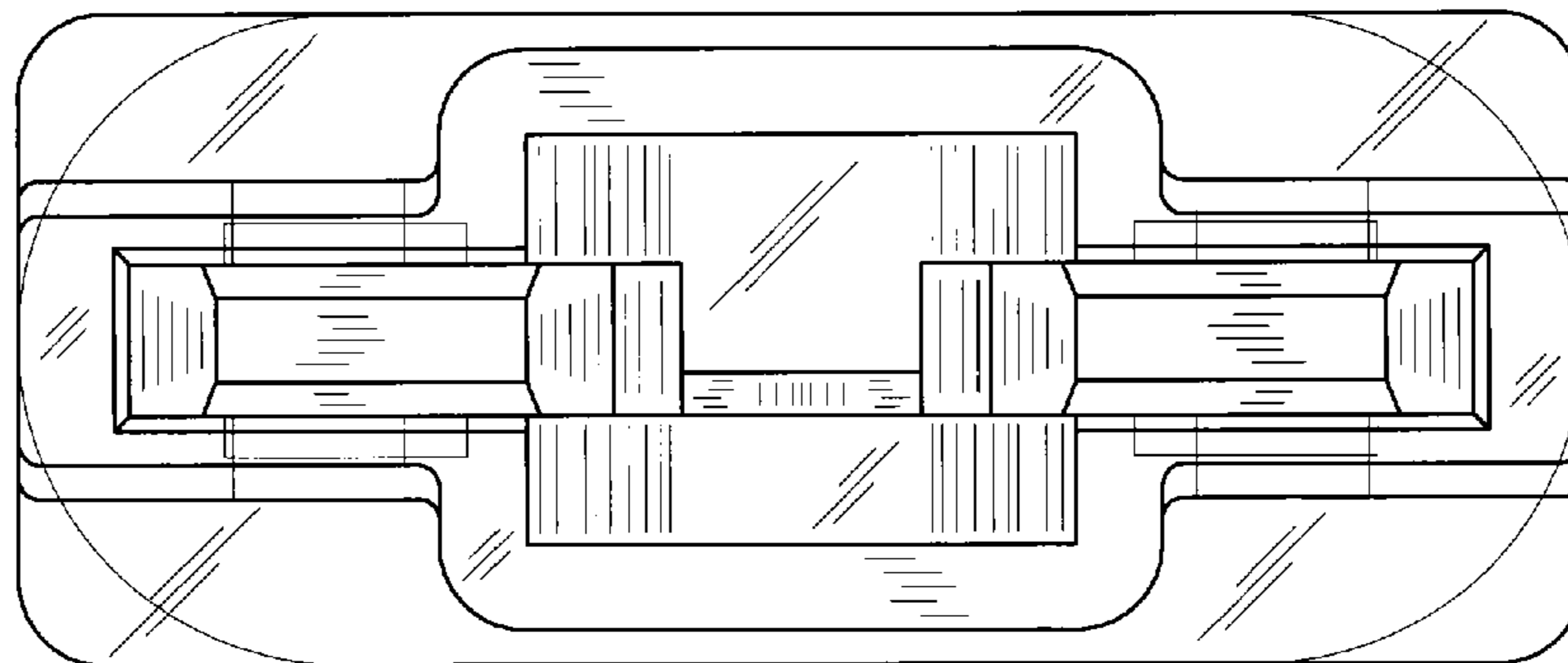


Fig. 5

