



US00D671503S

(12) **United States Design Patent**  
**Yoshida**

(10) **Patent No.:** **US D671,503 S**

(45) **Date of Patent:** **\*\* Nov. 27, 2012**

(54) **SWITCH**

(75) Inventor: **Haruo Yoshida**, Tokyo (JP)

(73) Assignee: **SMK Corporation**, Tokyo (JP)

(\*\*) Term: **14 Years**

(21) Appl. No.: **29/396,163**

(22) Filed: **Jun. 27, 2011**

(30) **Foreign Application Priority Data**

Feb. 1, 2011 (JP) ..... D2011-003491

(51) **LOC (9) Cl.** ..... **13-03**

(52) **U.S. Cl.** ..... **D13/158; D13/171**

(58) **Field of Classification Search** ..... D13/158,

D13/169, 171, 174, 184, 199; 200/1 B, 5 A,

200/6 R, 293-297, 314, 315, 341, 344, 406,

200/513, 520, 523, 530

See application file for complete search history.

(56) **References Cited**

U.S. PATENT DOCUMENTS

D589,904 S \* 4/2009 Yoshida et al. .... D13/158

D596,585 S \* 7/2009 Yoshida et al. .... D13/158

D652,391 S \* 1/2012 Yoshida ..... D13/158

D652,804 S \* 1/2012 Yoshida ..... D13/158

\* cited by examiner

*Primary Examiner* — Thomas Johannes

(74) *Attorney, Agent, or Firm* — Sughrue Mion, PLLC

(57) **CLAIM**

The ornamental design for a switch, as shown and described.

**DESCRIPTION**

FIG. 1 is a perspective view of the front, top and right side of a switch showing my new design;

FIG. 2 is a perspective view of the rear, top and left side thereof;

FIG. 3 is a front view thereof;

FIG. 4 is a rear view thereof;

FIG. 5 is a top plan view thereof;

FIG. 6 is a bottom view thereof;

FIG. 7 is a left side view thereof;

FIG. 8 is a right side view thereof; and,

FIG. 9 is a reference view of usage thereof.

The portions shown in broken lines show unclaimed subject matter only and form no part of the claimed design.

**1 Claim, 6 Drawing Sheets**

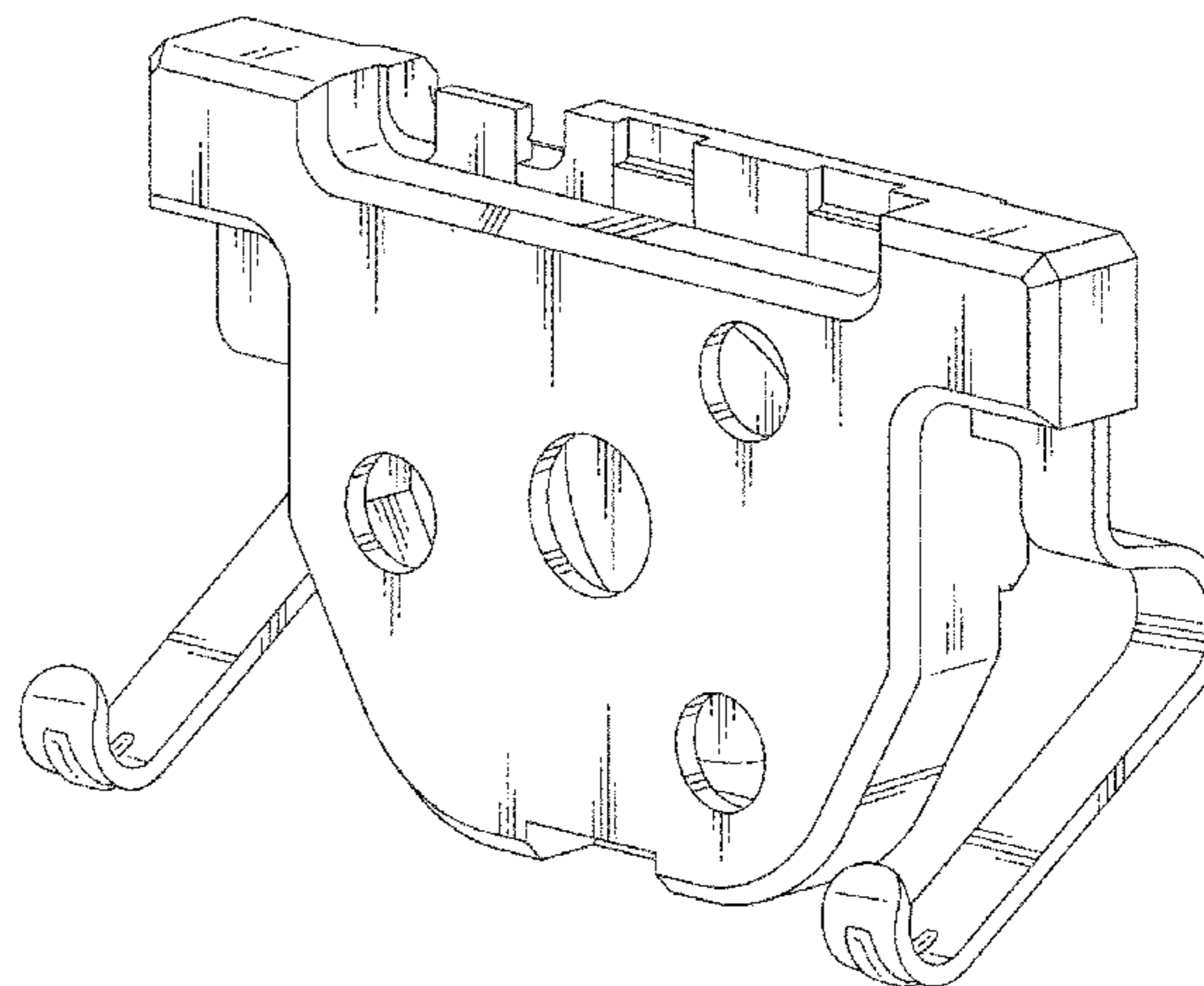
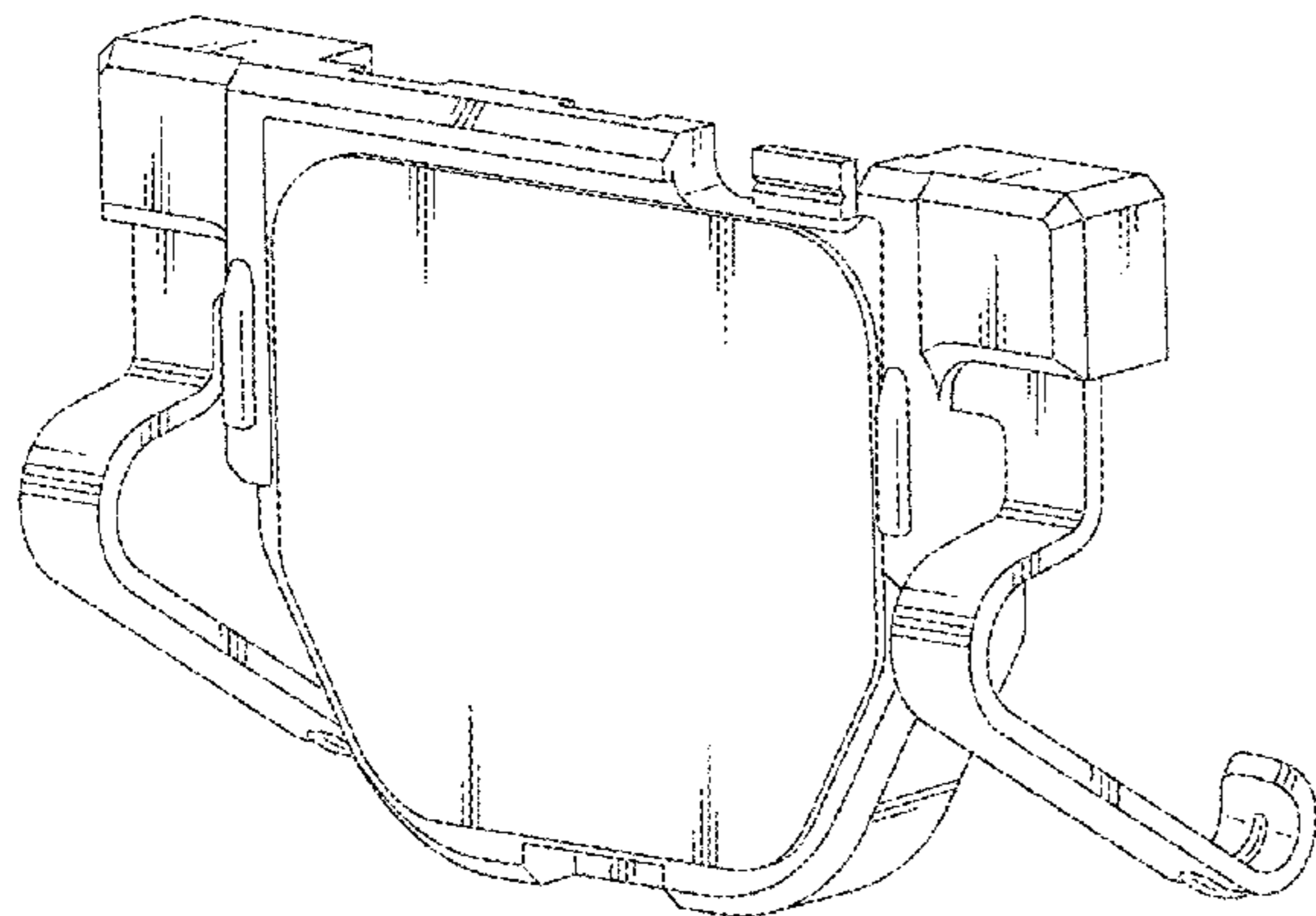


Fig. 1

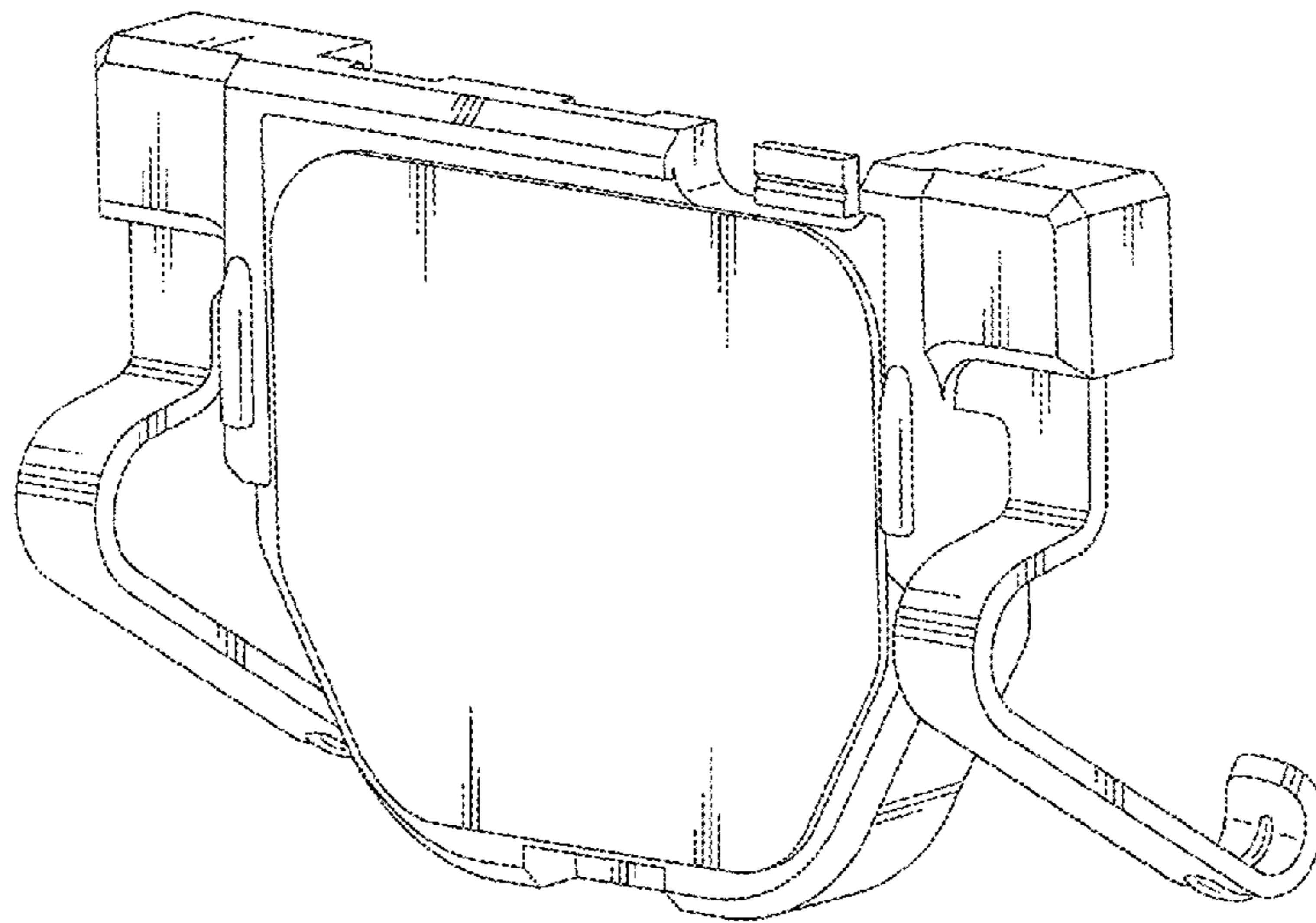


Fig. 2

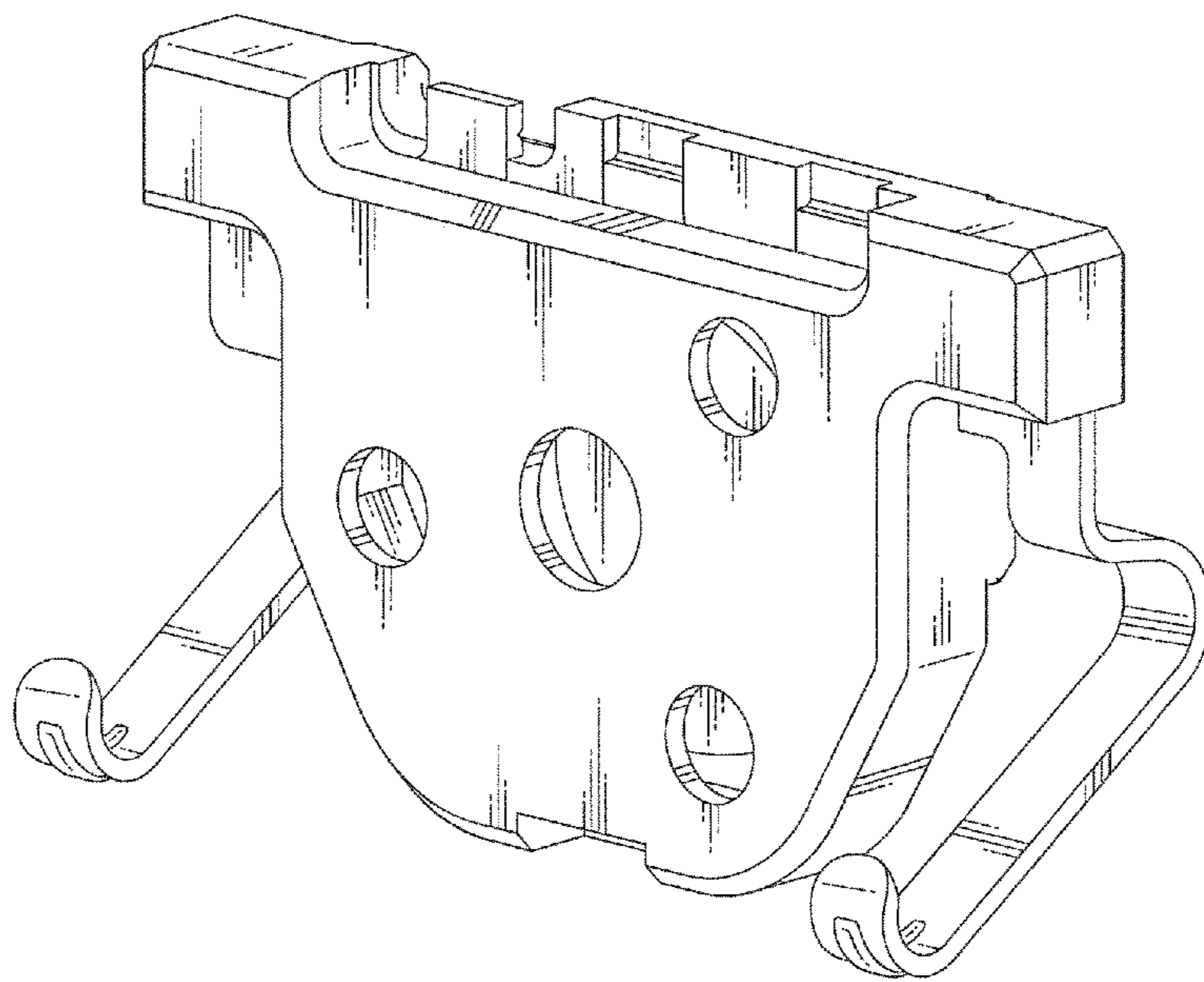


Fig. 3

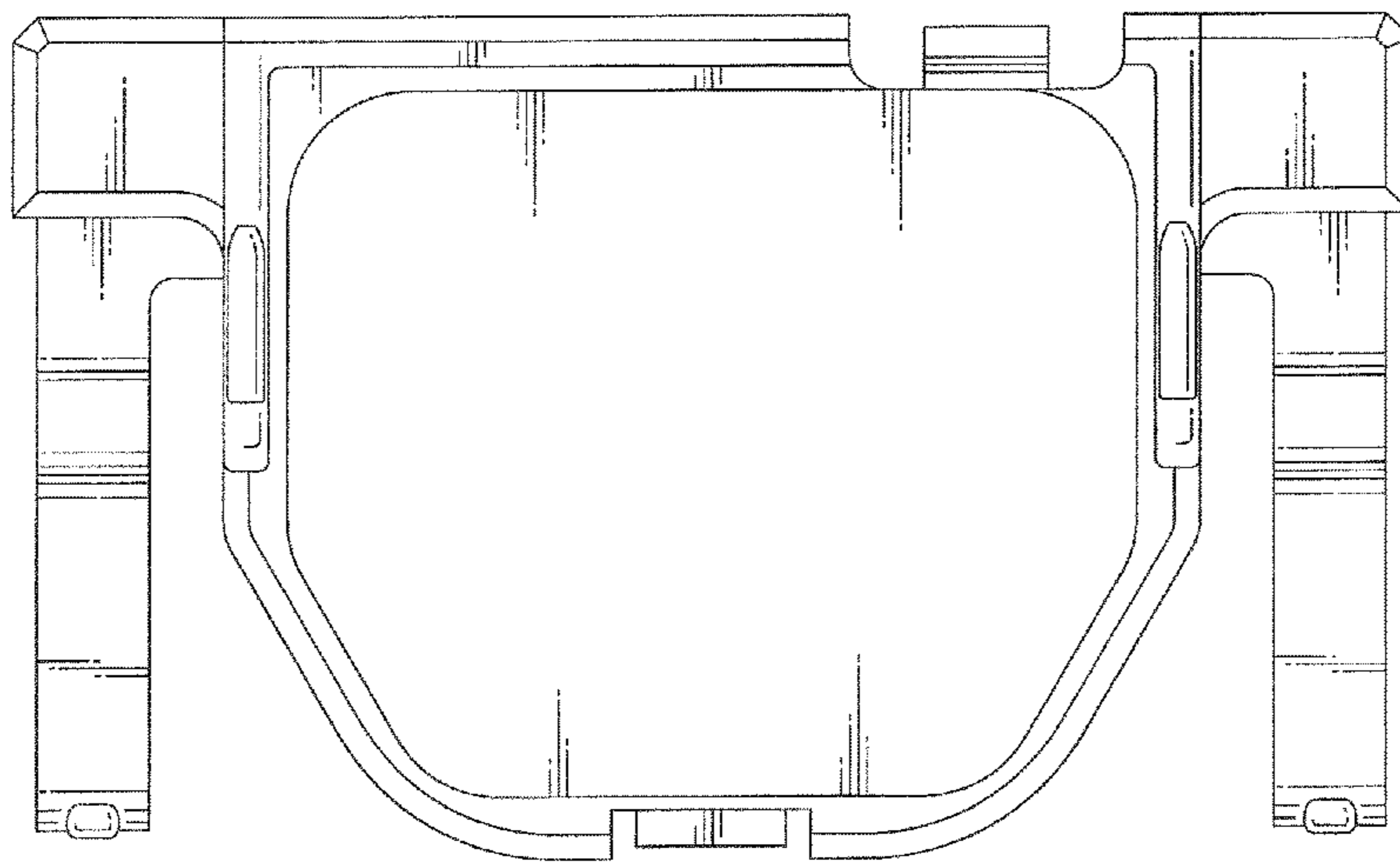


Fig. 4

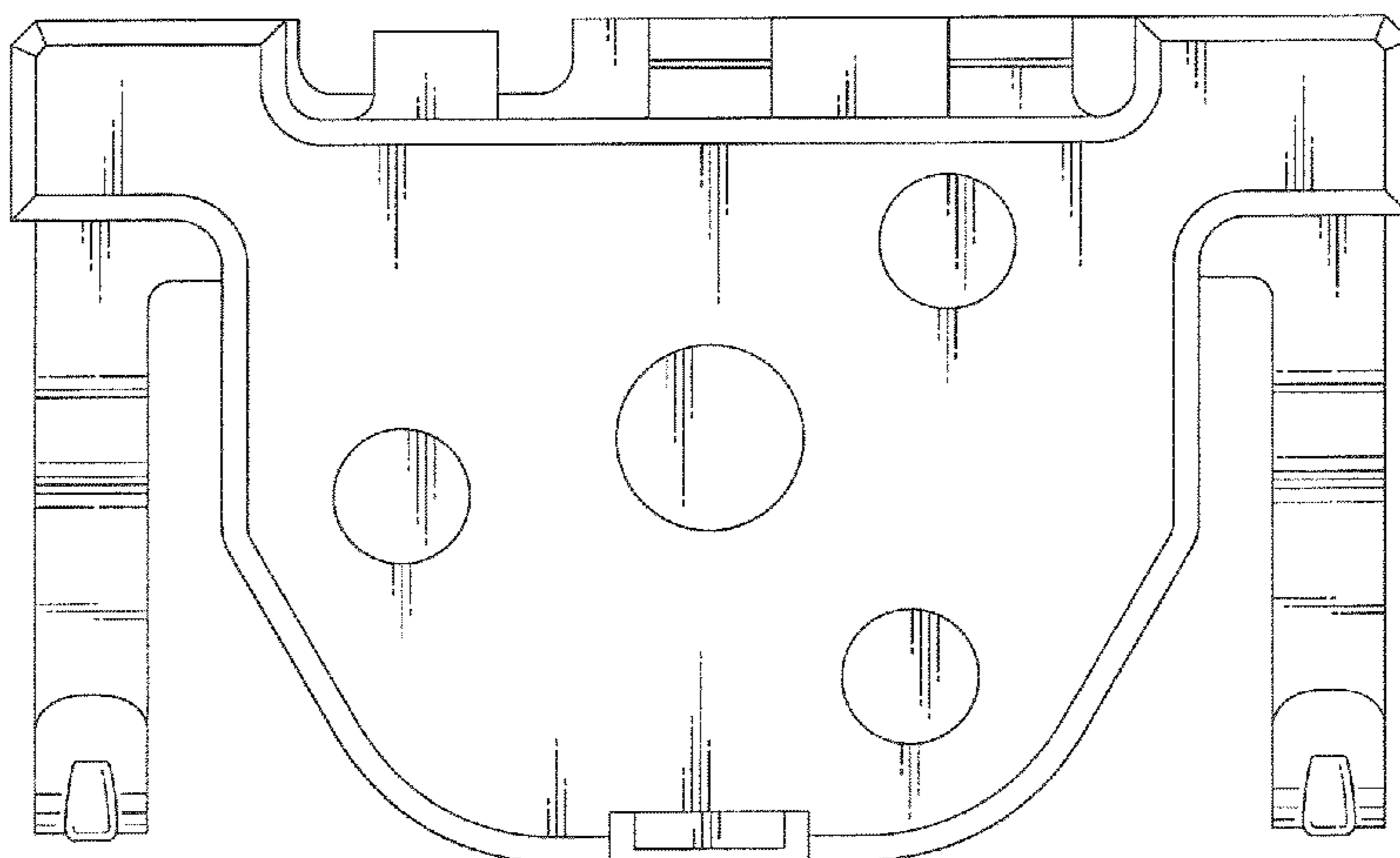


Fig. 5

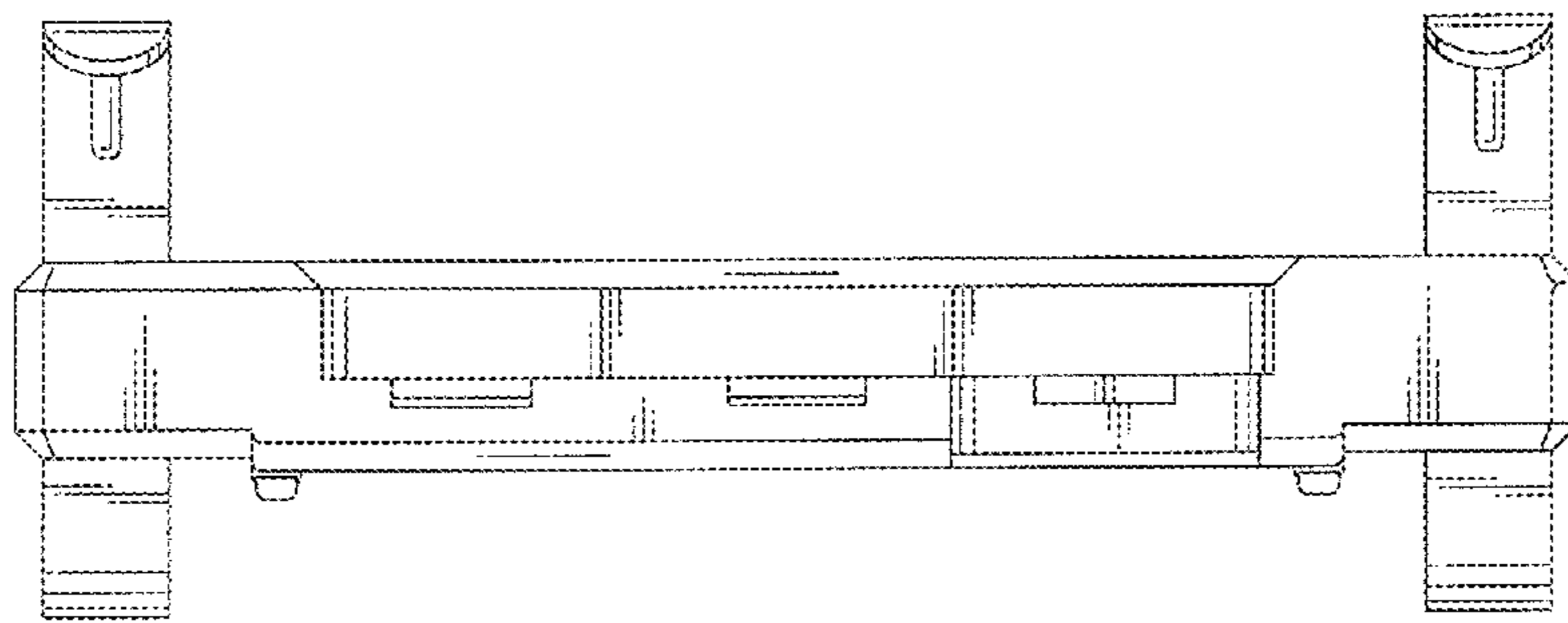


Fig. 6

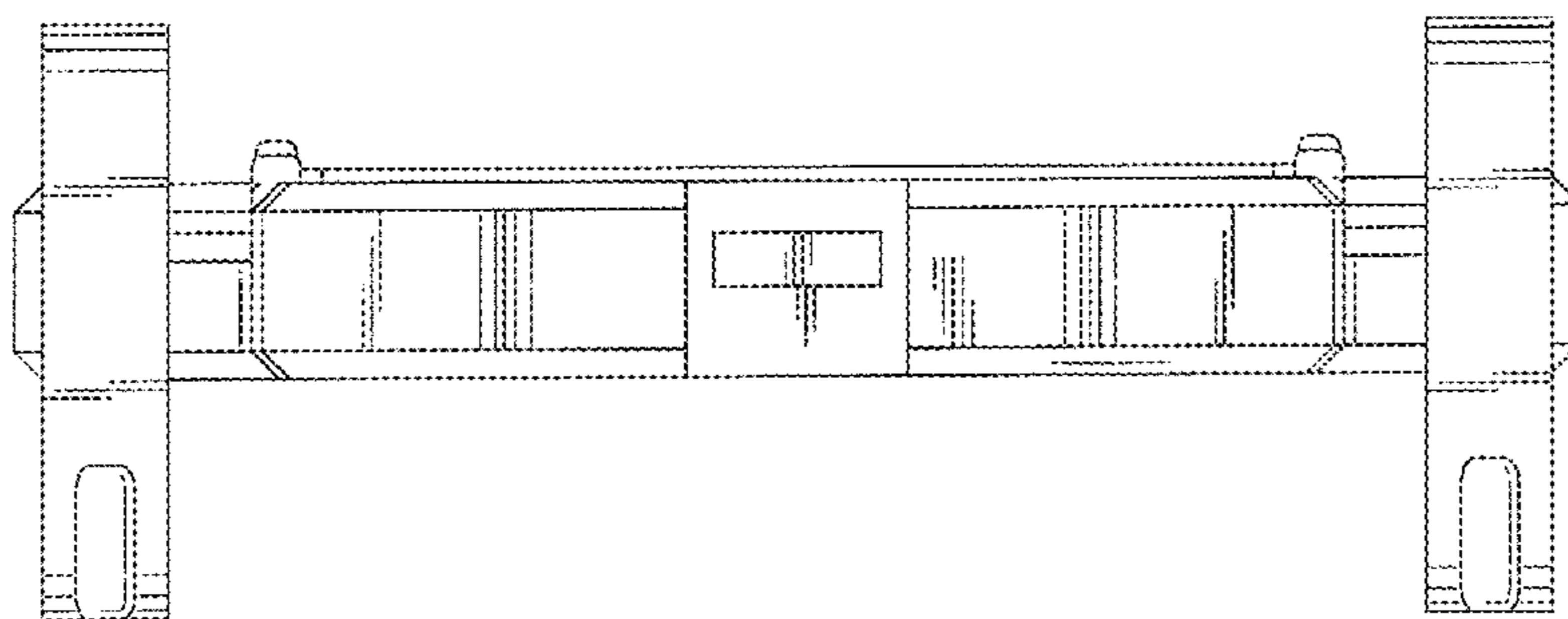


Fig. 7

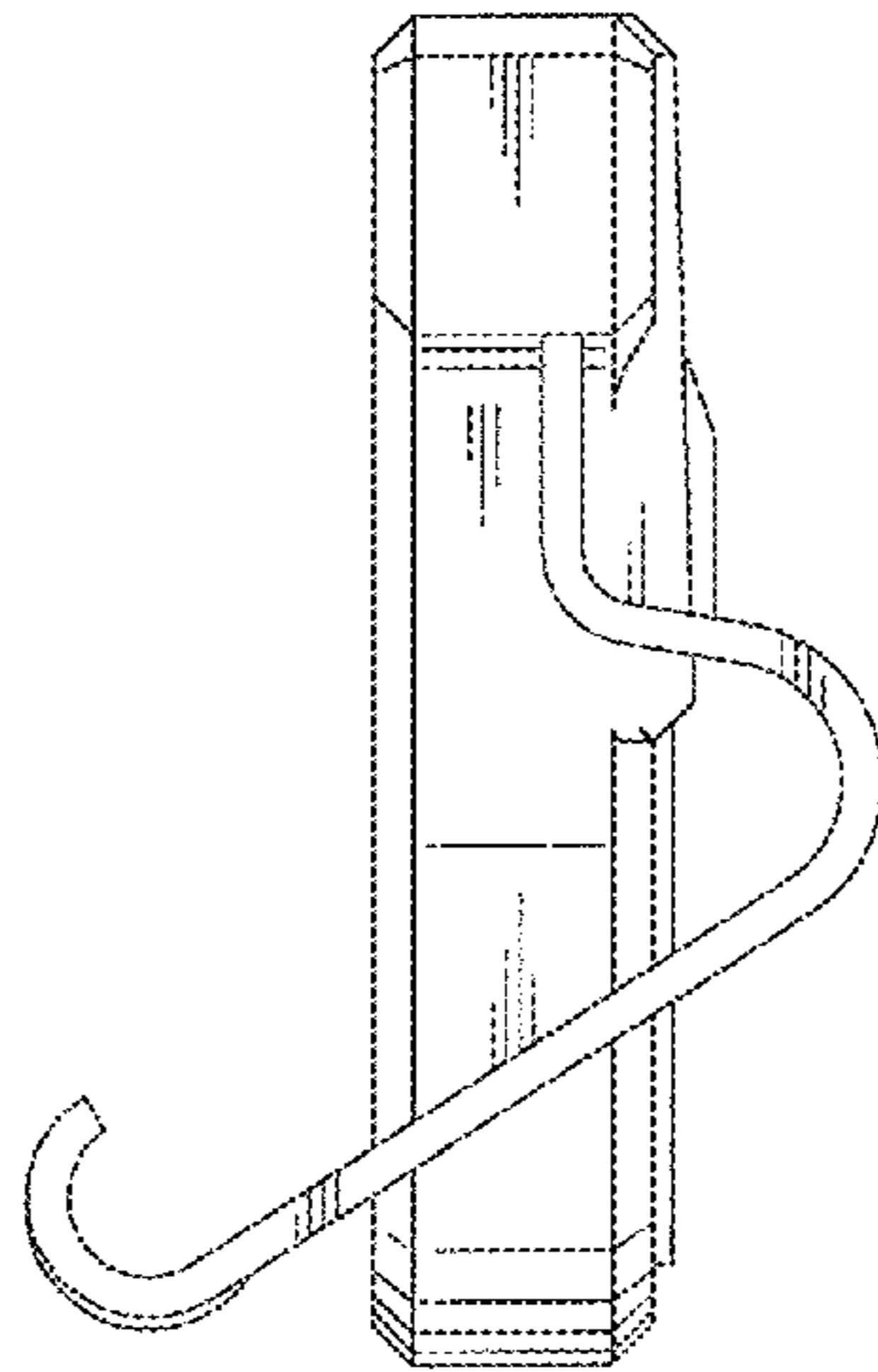


Fig. 8

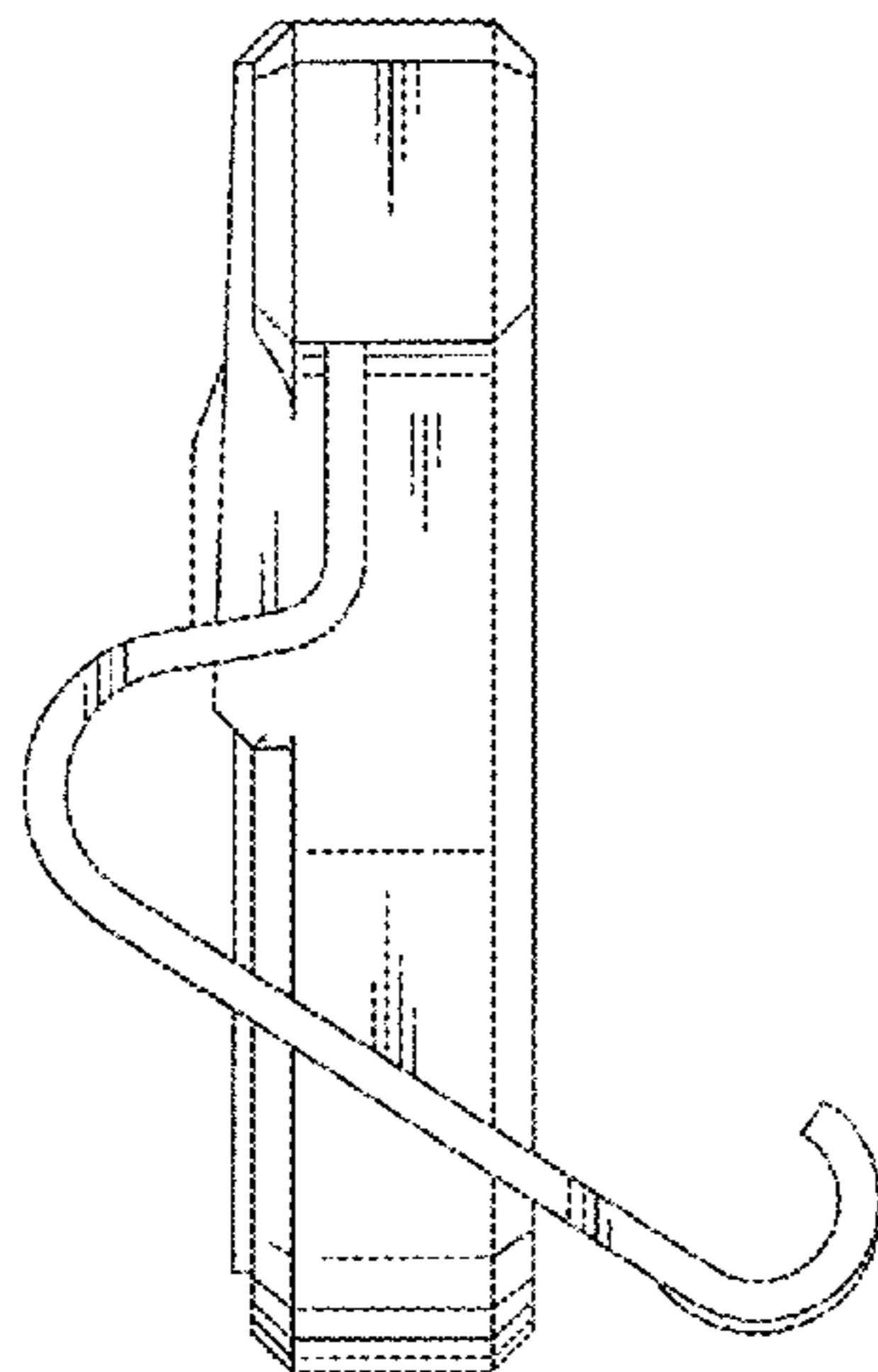


Fig. 9

