



US00D671502S

(12) **United States Design Patent**
Ruddick

(10) **Patent No.:** **US D671,502 S**

(45) **Date of Patent:** **** Nov. 27, 2012**

(54) **CABLE HOUSING**

(75) Inventor: **Paul David Ruddick**, Tyne and Wear
(GB)

(73) Assignee: **D-Line (Europe) Limited** (GB)

(**) Term: **14 Years**

(21) Appl. No.: **29/398,423**

(22) Filed: **Jul. 29, 2011**

(30) **Foreign Application Priority Data**

Feb. 4, 2011 (EM) 001816638-0008

(51) **LOC (9) Cl.** **13-03**

(52) **U.S. Cl.** **D13/155**

(58) **Field of Classification Search** D13/155,
D13/133, 149, 153, 184, 199; D3/201, 273,
D3/294; D9/424, 426, 428, 429; D28/73,
D28/82; 174/68.1, 266, 72 C; 439/369,
439/384, 499

See application file for complete search history.

(56) **References Cited**

U.S. PATENT DOCUMENTS

5,099,088 A *	3/1992	Usami et al.	174/76
D462,613 S *	9/2002	Bried et al.	D3/294
D571,733 S *	6/2008	Seil	D13/156
D586,757 S *	2/2009	Minnick	D13/156
D613,697 S	4/2010	Symons	

* cited by examiner

Primary Examiner — Derrick Holland

(74) *Attorney, Agent, or Firm* — Sterne, Kessler, Goldstein & Fox P.L.L.C.

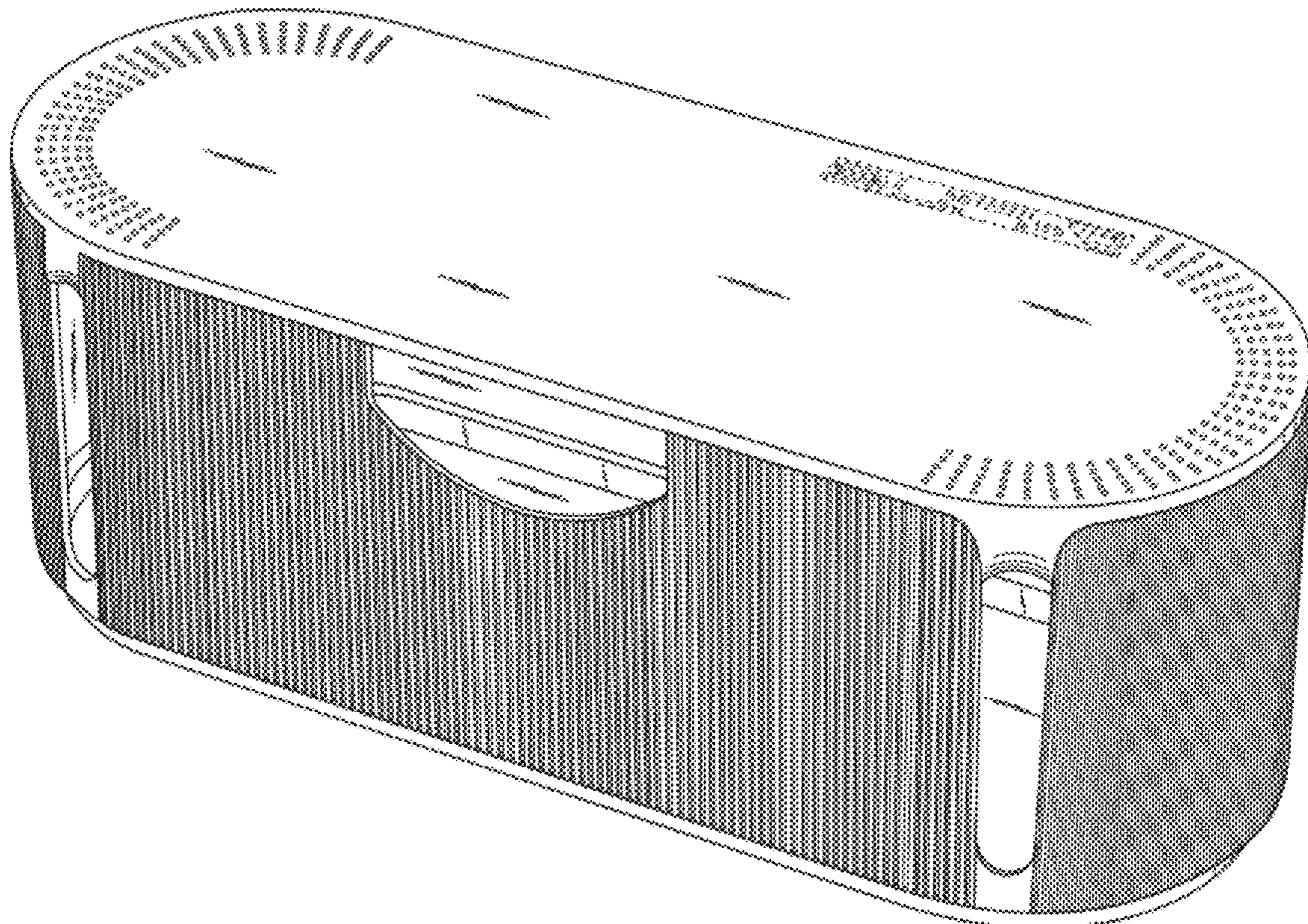
(57) **CLAIM**

The ornamental design for a cable housing, as shown and described.

DESCRIPTION

FIG. 1 is a perspective view of a cable housing showing my new design;
FIG. 2 is a similar perspective view thereof with the lid removed;
FIG. 3 is a top perspective view thereof;
FIG. 4 is an enlarged fragmented perspective view thereof;
FIG. 5 is a bottom perspective view of the lid of FIG. 1; and,
FIG. 6 is a top perspective view thereof.
The broken lines shown represent unclaimed subject matter and form no part of the claimed design.

1 Claim, 6 Drawing Sheets



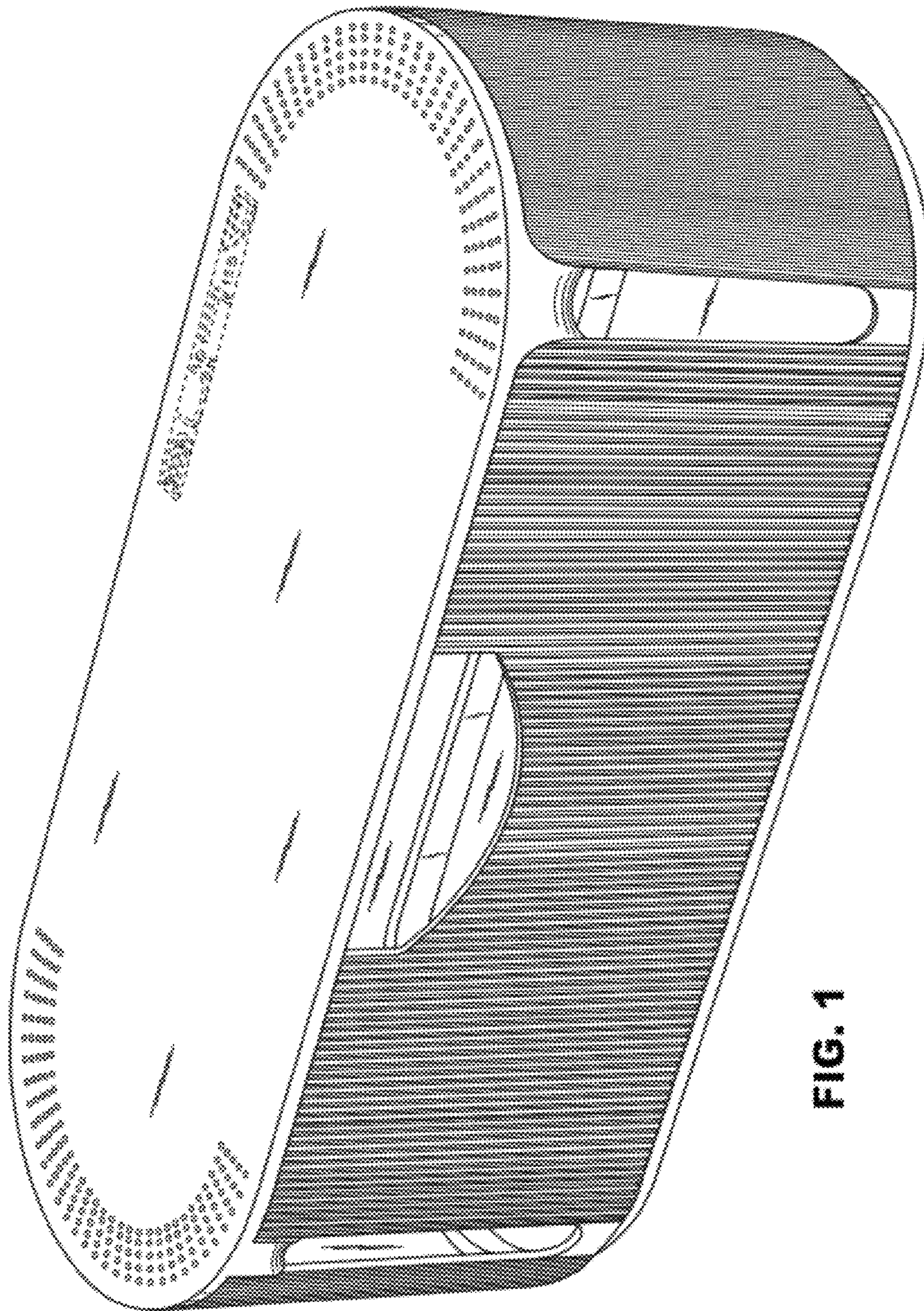


FIG. 1

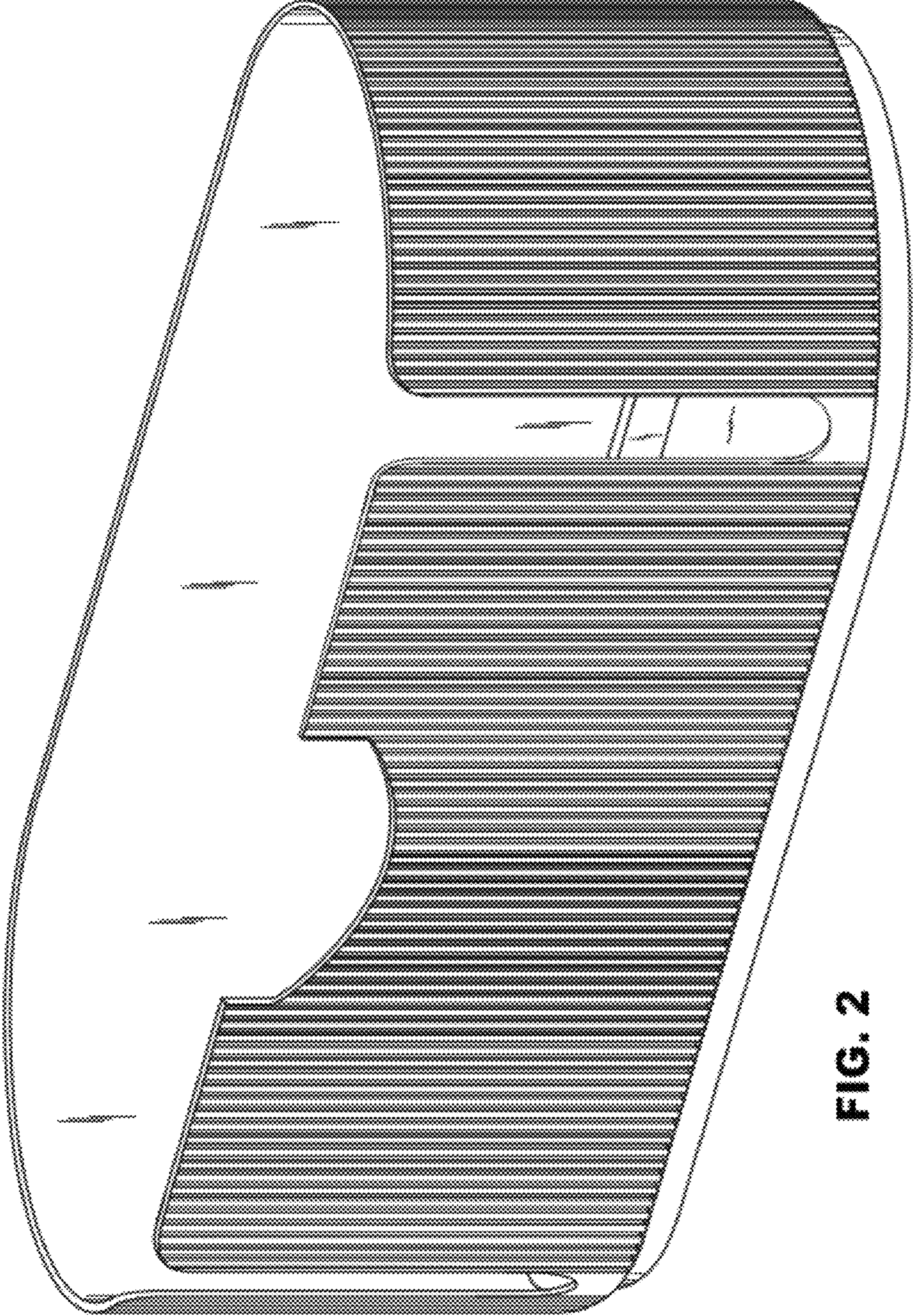


FIG. 2

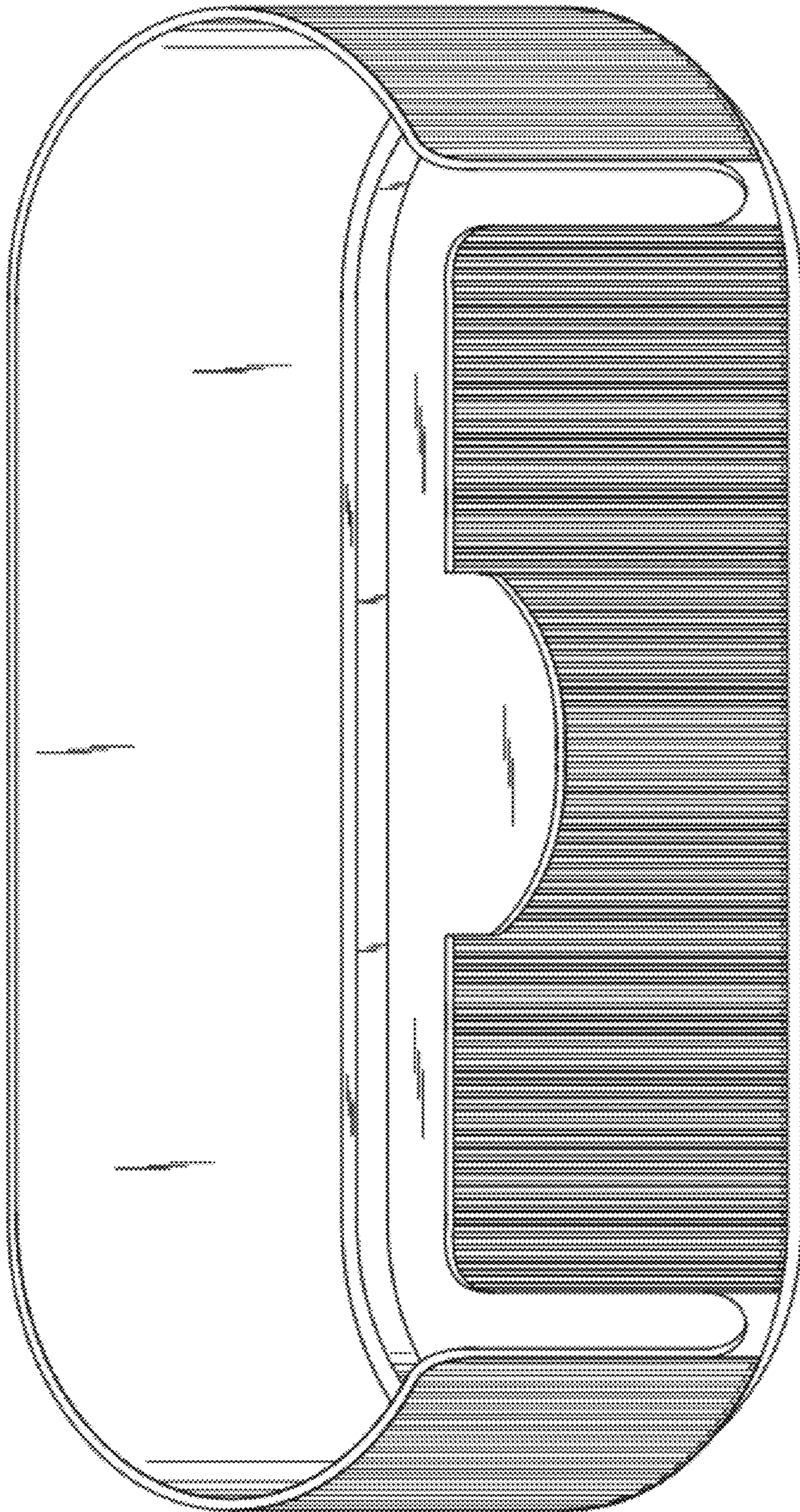


FIG. 3

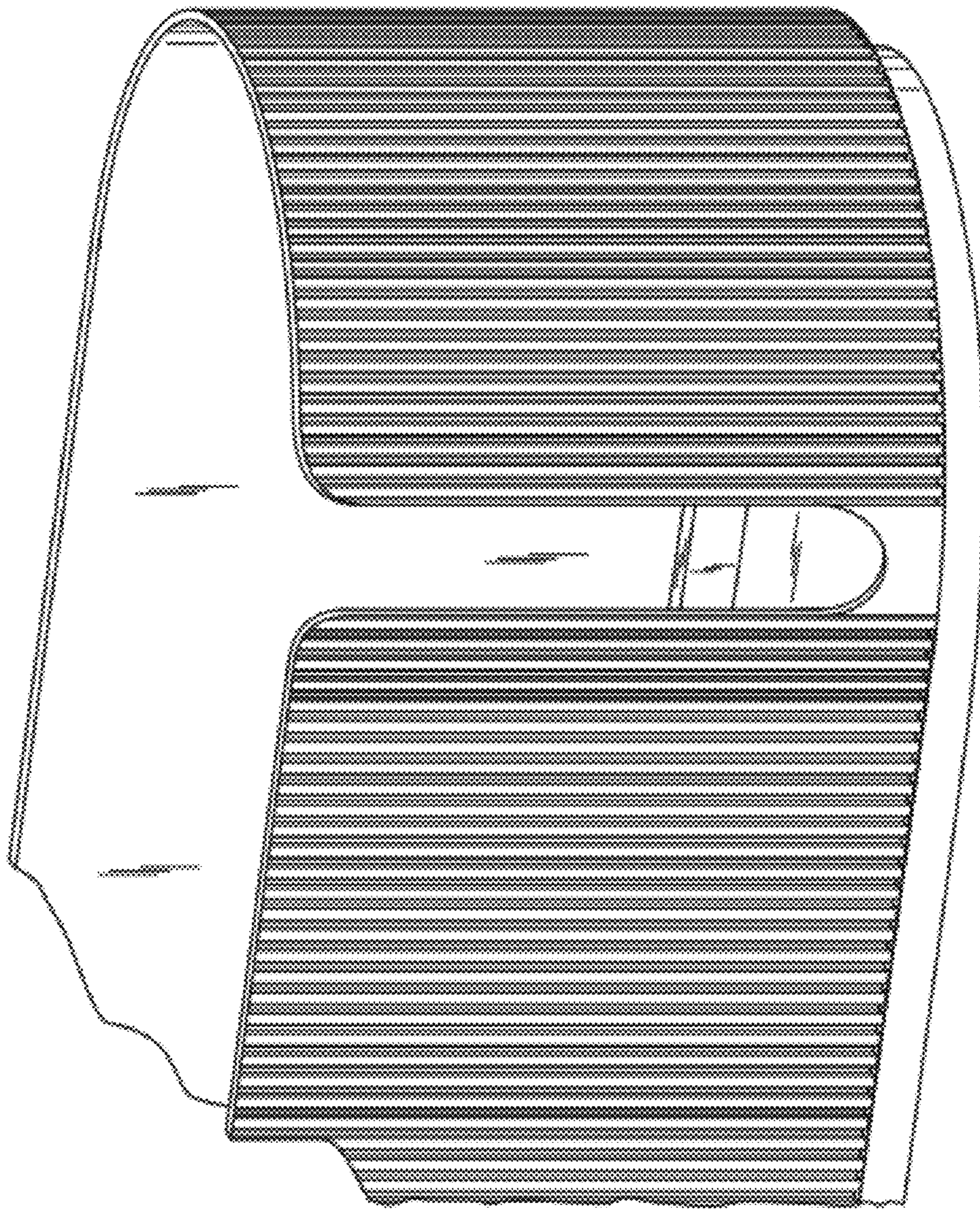


FIG. 4

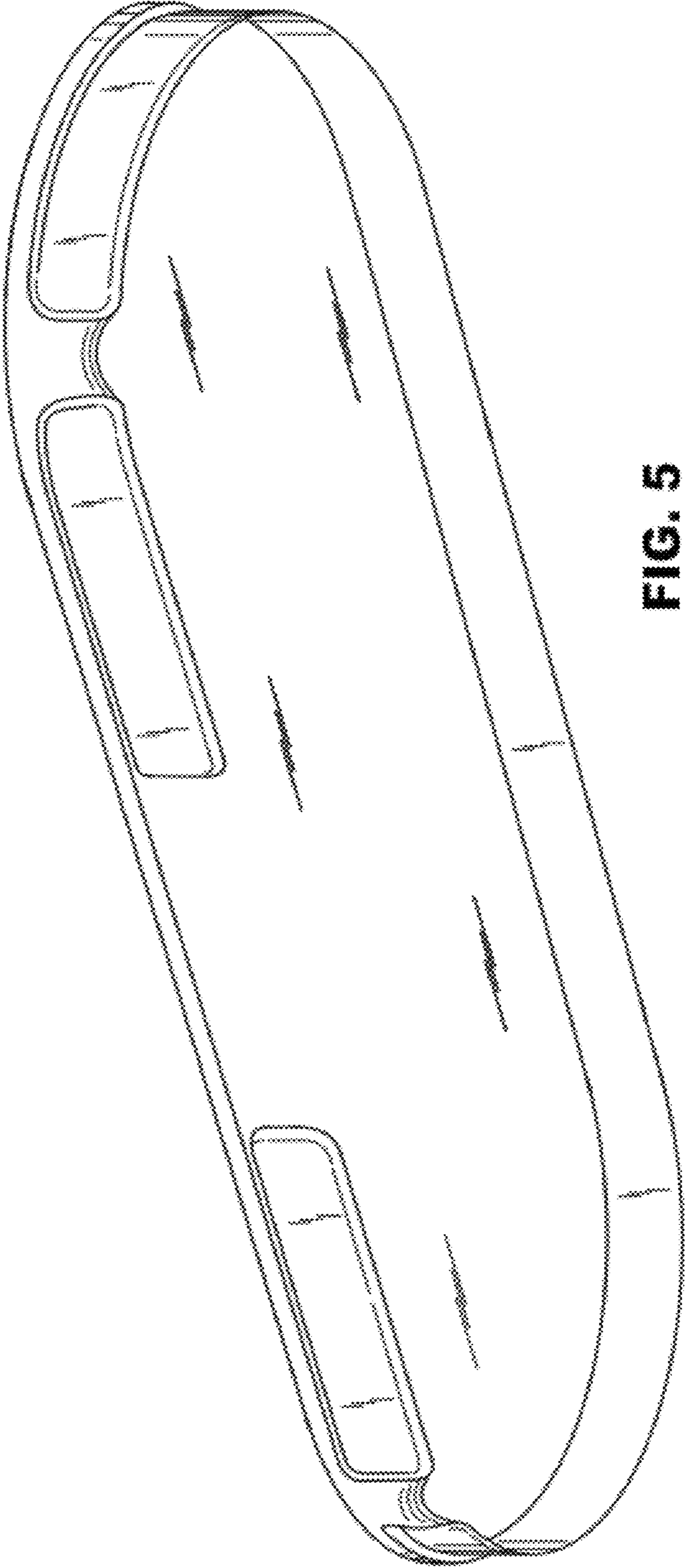


FIG. 5

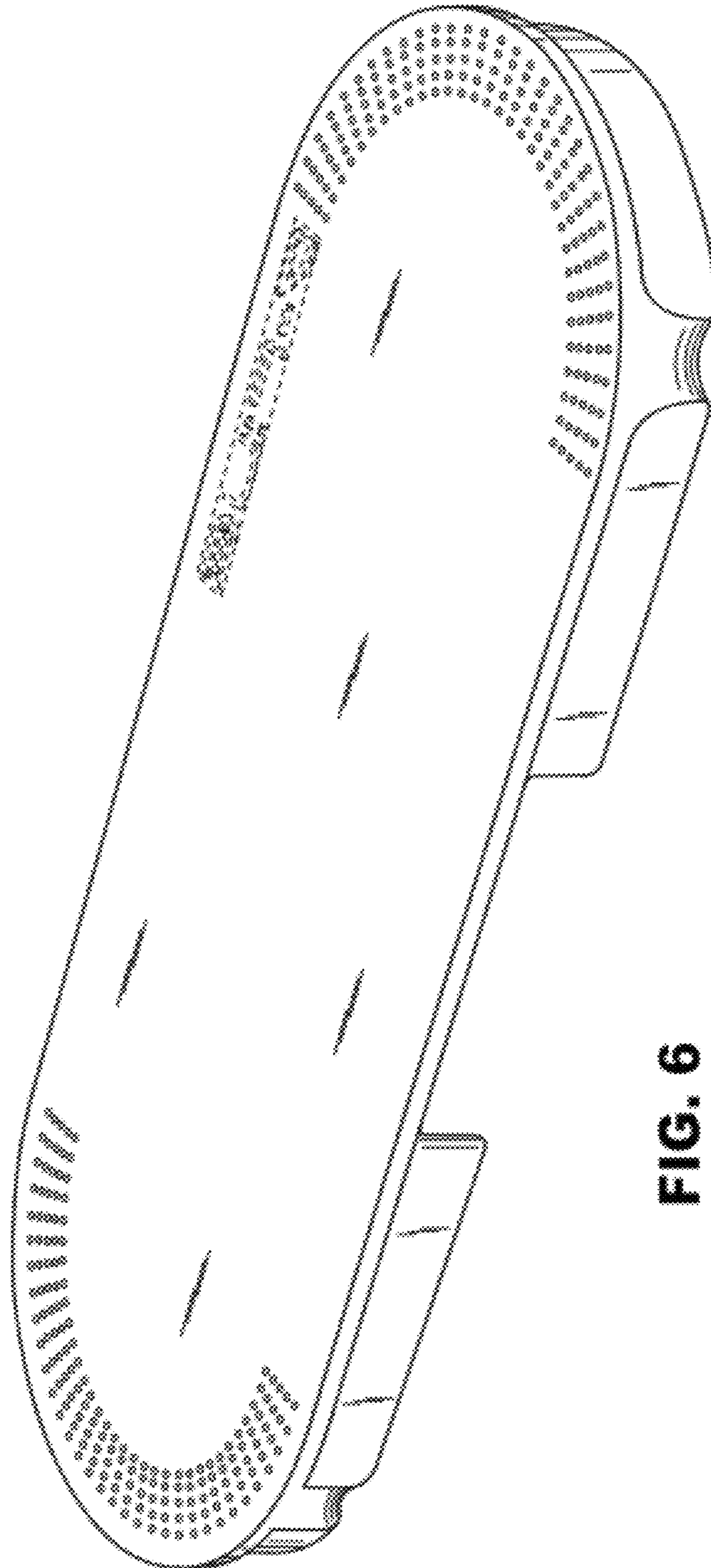


FIG. 6