

US00D671501S

(12) **United States Design Patent**  
**Kajiura et al.**

(10) **Patent No.:** **US D671,501 S**  
(45) **Date of Patent:** **\*\* Nov. 27, 2012**

- (54) **ELECTRICAL TERMINAL**
- (75) Inventors: **Motomu Kajiura**, Tokyo (JP);  
**Yasutoshi Kameda**, Kisarazu (JP);  
**Jeffrey Garvais**, Beaverton, OR (US)
- (73) Assignees: **FCI**, Guyancourt (FR); **FCI Americas Technology LLC**, Carson City, NV (US)
- (\*\*) Term: **14 Years**
- (21) Appl. No.: **29/393,270**
- (22) Filed: **Jun. 1, 2011**
- (51) **LOC (9) Cl.** ..... **13-03**
- (52) **U.S. Cl.** ..... **D13/154**
- (58) **Field of Classification Search** ..... D13/120,  
D13/133, 146, 147, 154, 184, 199; 439/839,  
439/849-850, 852, 862, 870, 877, 884-885,  
439/887-891  
See application file for complete search history.

- D528,985 S 9/2006 Peng
- D529,443 S \* 10/2006 Chien ..... D13/147
- D530,679 S 10/2006 Li et al.
- D538,228 S 3/2007 Wang et al.
- D555,093 S 11/2007 Chien et al.
- D555,095 S 11/2007 Ho
- D555,096 S 11/2007 Peng
- D555,131 S 11/2007 Kim et al.
- D556,131 S 11/2007 Chien
- D556,135 S 11/2007 Dwan et al.
- D559,180 S \* 1/2008 Lai et al. .... D13/120
- 7,335,068 B2 2/2008 Dwan et al.
- D568,246 S 5/2008 Wu et al.
- D568,248 S 5/2008 Chen et al.
- D569,343 S 5/2008 Hung et al.
- D569,801 S 5/2008 Chuang
- D569,802 S 5/2008 Long et al.
- D570,288 S 6/2008 Ma et al.
- D582,348 S 12/2008 Shiu

(Continued)

**OTHER PUBLICATIONS**

U.S. Appl. No. 13/226,864, filed Sep. 7, 2011, de Bruijn et al.

(Continued)

*Primary Examiner* — Daniel Bui

(74) *Attorney, Agent, or Firm* — Woodcock Washburn LLP

(56) **References Cited**

**U.S. PATENT DOCUMENTS**

- 3,612,747 A \* 10/1971 Shlesinger, Jr. .... 174/84 C
- D227,767 S \* 7/1973 Gillespie ..... D13/147
- 4,171,858 A \* 10/1979 Knowles et al. .... 439/397
- 4,560,226 A \* 12/1985 Dennis ..... 439/395
- 4,749,368 A 6/1988 Mouissie
- 5,567,545 A 10/1996 Murakami
- 5,631,098 A 5/1997 Suzuki
- D408,353 S 4/1999 Yoshiura
- D409,143 S 5/1999 Yoshiura
- D410,226 S 5/1999 Yoshiura
- 6,083,059 A 7/2000 Kuan
- 6,129,168 A 10/2000 Lotito et al.
- D447,122 S 8/2001 Harasawa et al.
- 6,315,621 B1 11/2001 Natori et al.
- D473,192 S 4/2003 Ouchi et al.
- D481,996 S 11/2003 Kihira et al.
- D485,807 S 1/2004 Kao et al.
- 6,835,089 B2 \* 12/2004 Hayes et al. .... 439/404
- 6,932,382 B2 8/2005 Hayes et al.
- 7,001,205 B2 \* 2/2006 Godefroy et al. .... 439/422

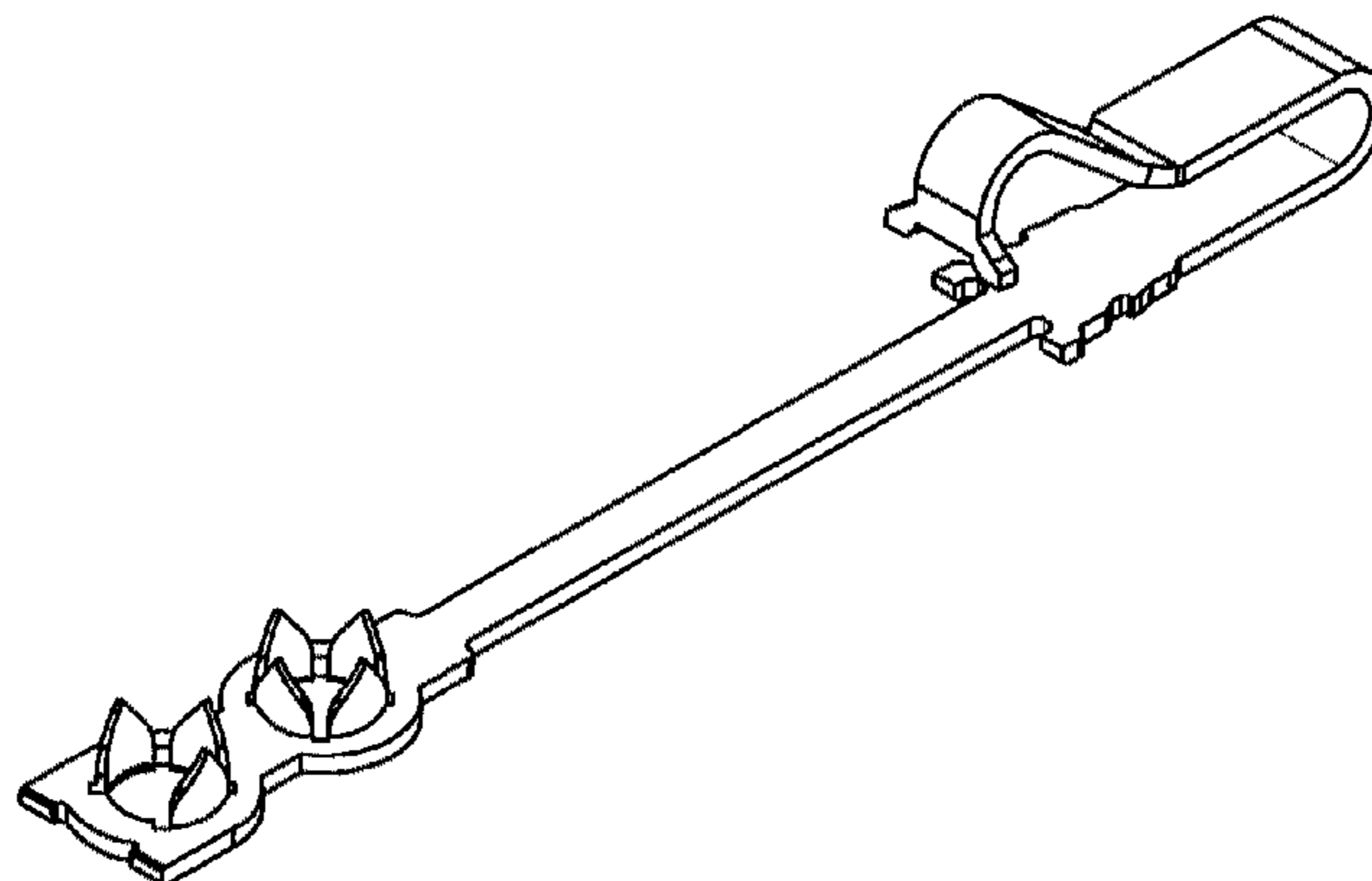
(57) **CLAIM**

The ornamental design for an electrical terminal, as shown and described.

**DESCRIPTION**

FIG. 1 is a top, right, front perspective view of an electrical terminal showing our new design;  
 FIG. 2 is a bottom, left, rear perspective view thereof;  
 FIG. 3 is a front elevation view thereof;  
 FIG. 4 is a rear elevation view thereof;  
 FIG. 5 is a left side elevation view thereof;  
 FIG. 6 is a right side elevation view thereof;  
 FIG. 7 is a top plan view thereof; and,  
 FIG. 8 is a bottom plan view thereof.

**1 Claim, 2 Drawing Sheets**



# US D671,501 S

Page 2

## U.S. PATENT DOCUMENTS

D584,231 S 1/2009 Wu  
D584,237 S \* 1/2009 Zhu ..... D13/154  
D586,294 S 2/2009 Lung  
D596,575 S 7/2009 Chen et al.  
D601,970 S 10/2009 Peng et al.  
D601,971 S 10/2009 Chen et al.  
D603,795 S 11/2009 Kono  
D605,137 S 12/2009 Yu et al.  
D607,834 S 1/2010 Huang  
D607,835 S 1/2010 Huang  
D608,295 S 1/2010 Huang  
7,662,507 B2 2/2010 Schwendinger et al.  
D614,493 S 4/2010 Creed et al.  
D614,507 S 4/2010 Lukan et al.  
D614,583 S 4/2010 Wang  
D615,493 S 5/2010 Kalis  
D618,173 S 6/2010 Wang et al.  
D619,538 S 7/2010 Peng  
D642,981 S 8/2011 de Bruijn et al.  
D644,177 S 8/2011 de Bruijn et al.  
D647,863 S \* 11/2011 Su et al. .... D13/154  
D649,517 S \* 11/2011 de Bruijn et al. .... D13/147

2004/0038121 A1 2/2004 Song et al.  
2007/0243458 A1 10/2007 Roehm et al.  
2008/0193837 A1 8/2008 Lu

## OTHER PUBLICATIONS

U.S. Appl. No. 29/369,322, filed Sep. 7, 2010, de Bruijn et al.  
U.S. Appl. No. 29/369,327, filed Sep. 7, 2010, de Bruijn et al.  
U.S. Appl. No. 29/369,333, filed Sep. 7, 2010, de Bruijn et al.  
U.S. Appl. No. 29/384,325, filed Jan. 28, 2011, de Bruijn et al.  
U.S. Appl. No. 29/393,268, filed Jun. 1, 2011, Kajiura et al.  
U.S. Appl. No. 29/393,269, filed Jun. 1, 2011, Kameda et al.  
U.S. Appl. No. 29/393,276, filed Jun. 1, 2011, Kajiura et al.  
U.S. Appl. No. 29/393,278, filed 06-01-20141 Kameda et al.  
U.S. Appl. No. 29/393,280, filed Jun. 1, 2011, Kajiura et al.  
U.S. Appl. No. 29/393,281, filed Jun. 1, 2011, Kameda et al.  
U.S. Appl. No. 29/393,282, filed Jun. 1, 2011, Kajiira et al.  
U.S. Appl. No. 29/393,283, filed Jun. 1, 2011, Kameda et al.  
U.S. Appl. No. 29/407,357, filed Nov. 28, 2011, de Bruijn et al.  
U.S. Appl. No. 29/407,363, filed Nov. 28, 2011, Kajiira et al.  
U.S. Appl. No. 29/407,370, filed Nov. 28, 2011, Kajiira et al.

\* cited by examiner

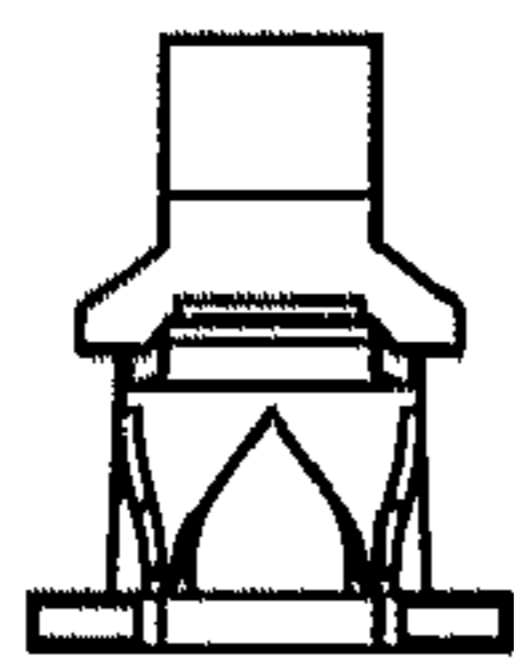
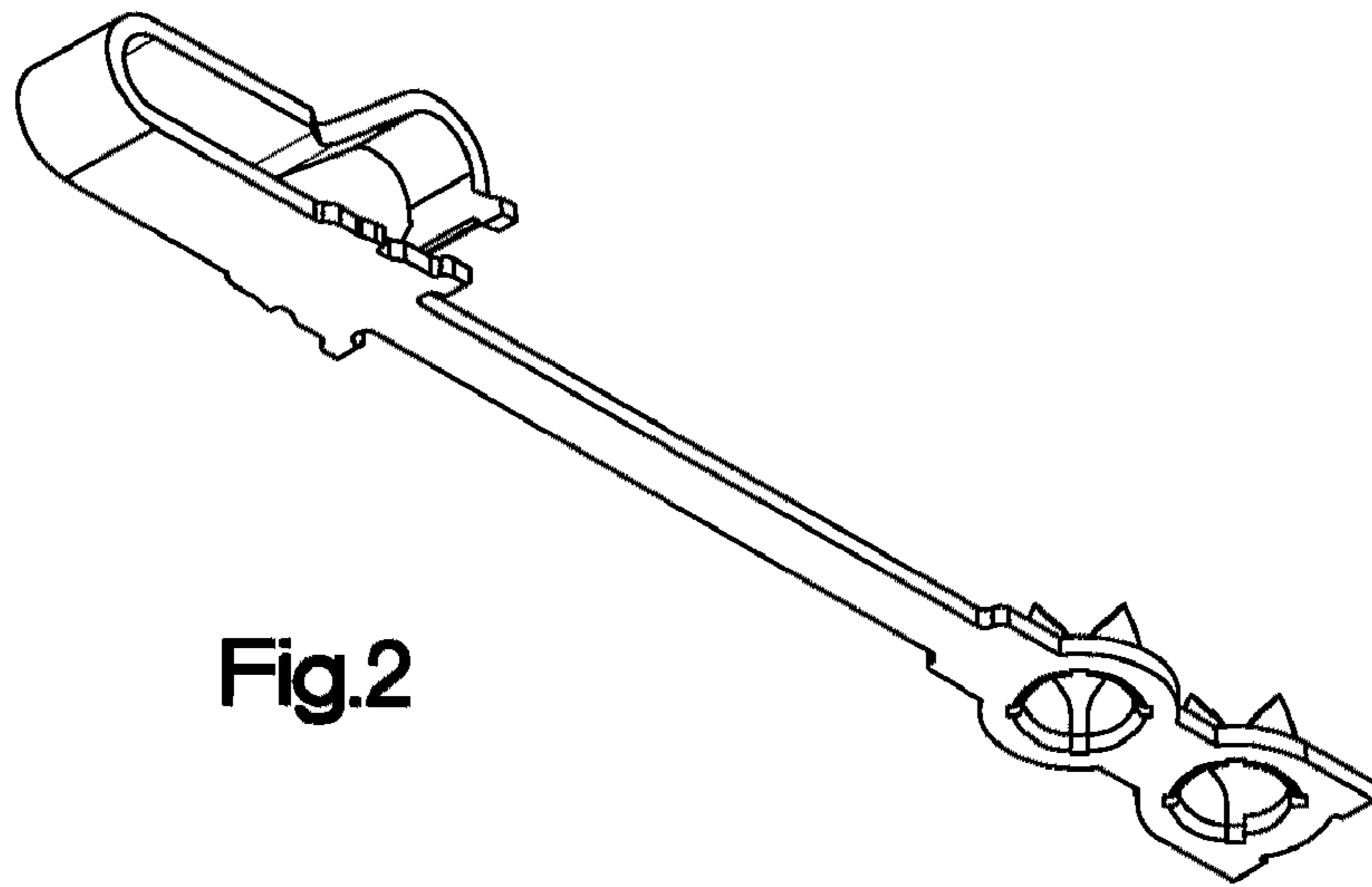
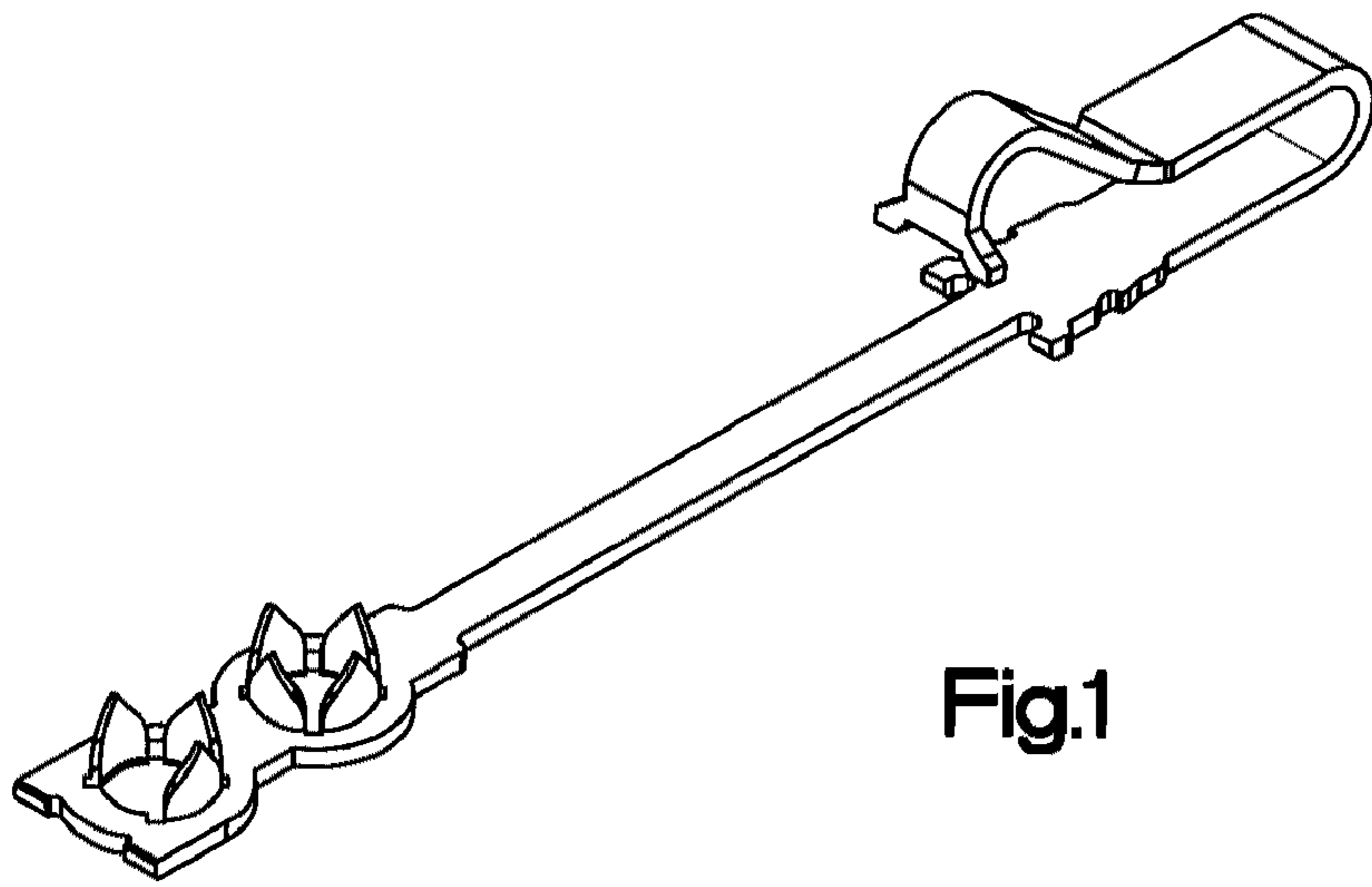


Fig.3

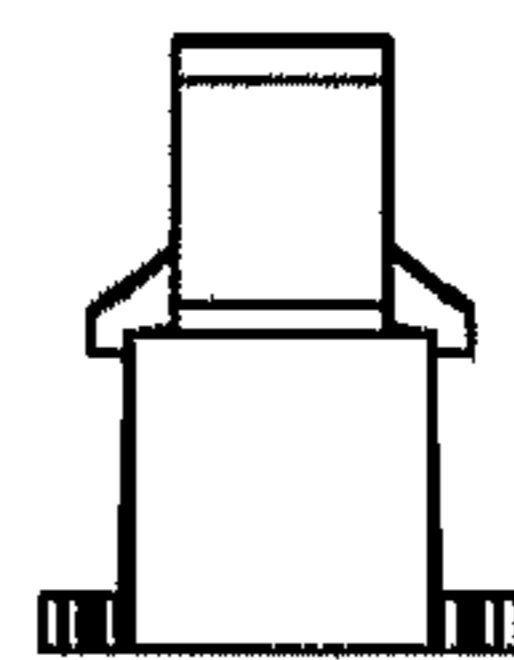


Fig.4

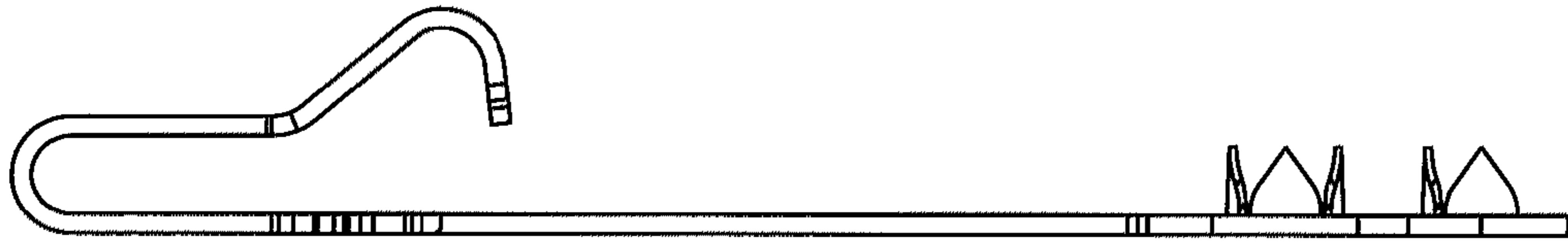


Fig.5

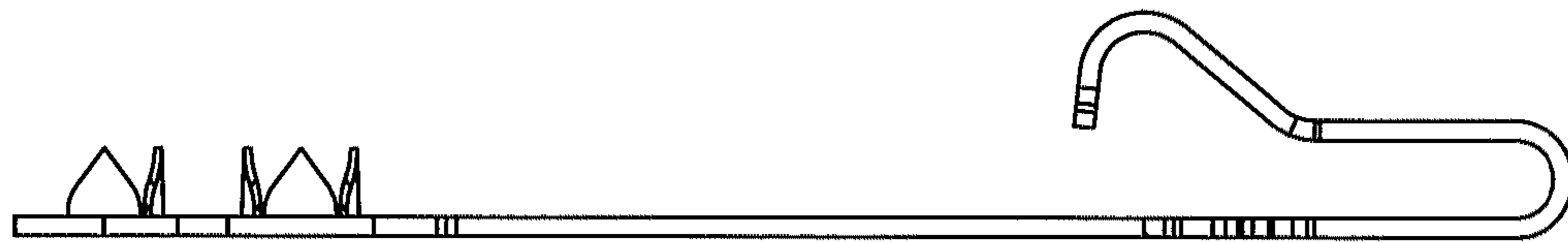


Fig.6

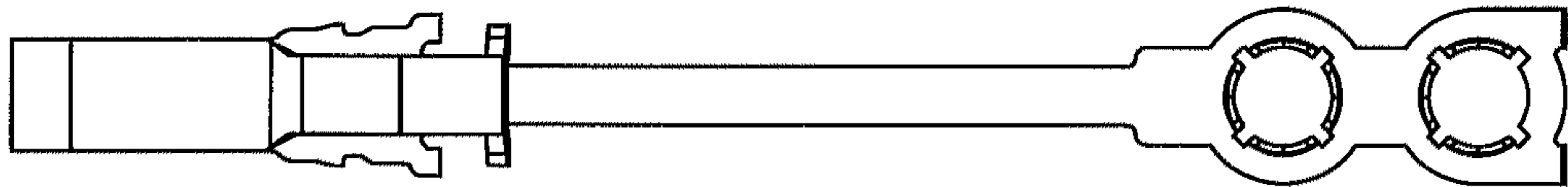


Fig.7

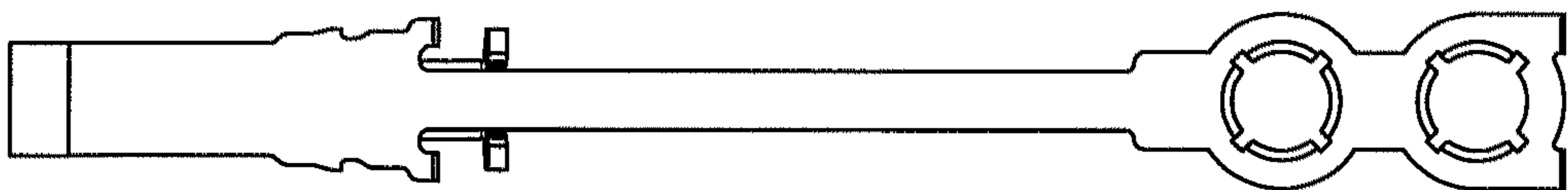


Fig.8

UNITED STATES PATENT AND TRADEMARK OFFICE  
**CERTIFICATE OF CORRECTION**

PATENT NO. : D671,501 S  
APPLICATION NO. : 29/393270  
DATED : November 27, 2012  
INVENTOR(S) : Kajiura et al.

Page 1 of 1

It is certified that error appears in the above-identified patent and that said Letters Patent is hereby corrected as shown below:

On the **TITLE PAGE**, under **DESCRIPTION**, insert the following paragraphs:

--The present application is related by subject matter to design patent applications entitled "Electrical Connector" filed on even date, Application Number 29/393,276, pending, "Electrical Connector" filed on even date herewith, Application No. 29/393,280, pending, "Electrical Terminals for Electrical Connector" filed on even date herewith, Application No. 29/393,282, pending, "Electrical Terminal" filed on even date herewith, Application No. 29/393,269, pending, "Electrical Terminal" filed on even date herewith, Application No. 29/393,278, pending, "Electrical Terminal" filed on even date herewith, Application No. 29/393,281, pending, and "Electrical Terminal" filed on even date herewith, Application No. 29/393,283, pending.--

Signed and Sealed this  
Twenty-second Day of January, 2013



David J. Kappos  
*Director of the United States Patent and Trademark Office*