



US00D671499S

(12) **United States Design Patent**
Su

(10) **Patent No.:** **US D671,499 S**

(45) **Date of Patent:** **** Nov. 27, 2012**

(54) **PLUG CONNECTOR**

(75) Inventor: **Yu-Hung Su**, New Taipei (TW)

(73) Assignee: **Cheng Uei Precision Industry Co., Ltd.**, New Taipei (TW)

(**) Term: **14 Years**

(21) Appl. No.: **29/414,183**

(22) Filed: **Feb. 24, 2012**

(51) **LOC (9) Cl.** **13-03**

(52) **U.S. Cl.** **D13/147**

(58) **Field of Classification Search** D13/133,
D13/146, 147, 153, 154, 184, 199; 439/79,
439/248, 258, 274, 350, 352, 353, 354, 357,
439/358, 374, 447, 476.1, 594, 598, 607.01,
439/607.04, 607.05, 607.17, 607.25, 607.34,
439/607.41, 607.53, 656, 660, 668, 680,
439/711, 745, 752

See application file for complete search history.

(56) **References Cited**

U.S. PATENT DOCUMENTS

D454,130 S * 3/2002 Do et al. D14/435.1
D531,579 S * 11/2006 Peng et al. D13/147

D532,776 S * 11/2006 Griffin D14/435.1
D586,809 S * 2/2009 Jones et al. D14/435.1
D589,889 S * 4/2009 Wu et al. D13/147
D612,384 S * 3/2010 Kim et al. D14/435.1

* cited by examiner

Primary Examiner — Daniel Bui

(74) *Attorney, Agent, or Firm* — Cheng-Ju Chiang

(57) **CLAIM**

The ornamental design for a plug connector, as shown and described.

DESCRIPTION

FIG. 1 is a perspective view of a plug connector showing my new design;

FIG. 2 is a front elevational view thereof;

FIG. 3 is a rear elevational view thereof;

FIG. 4 is a left side elevational view thereof;

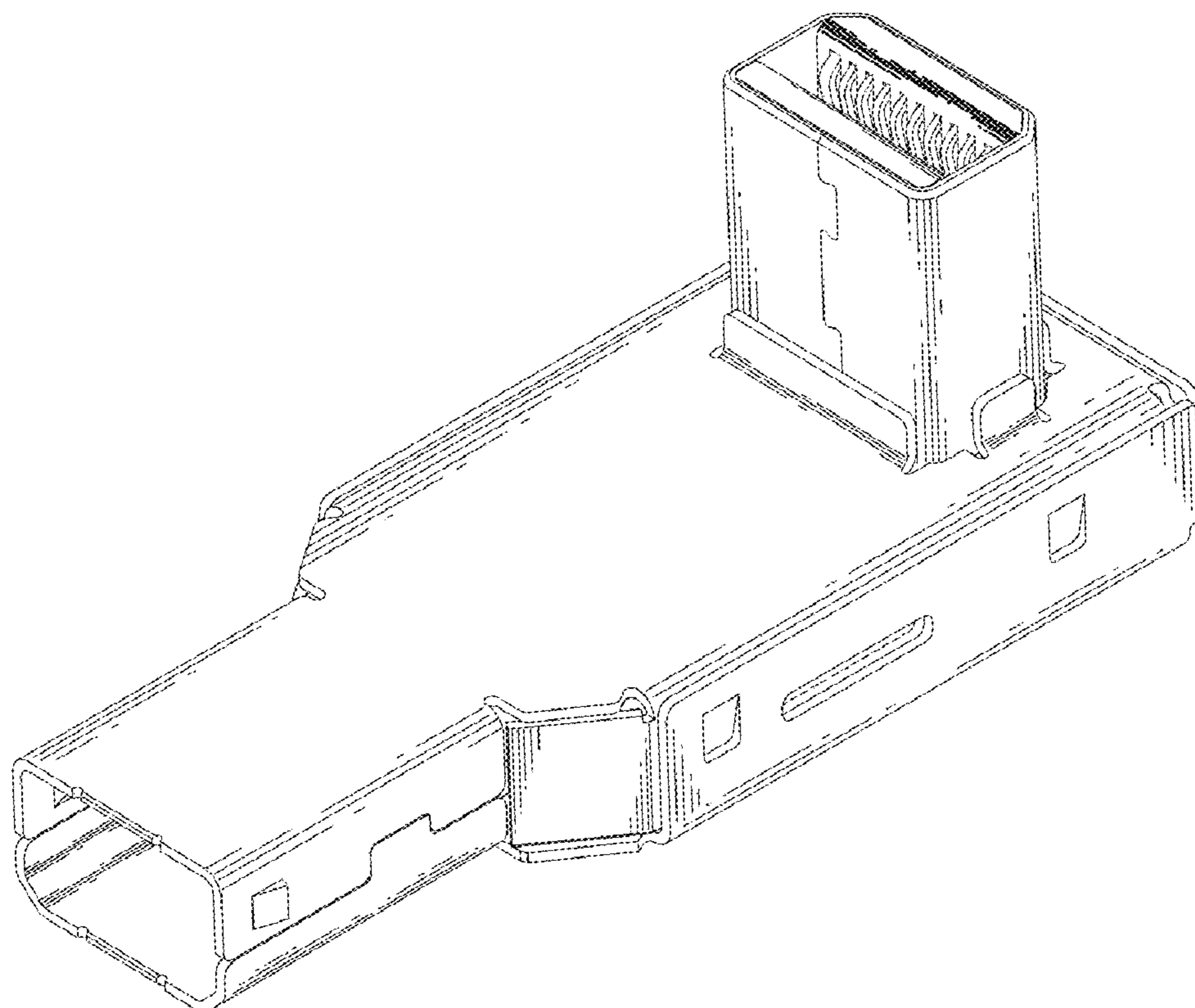
FIG. 5 is a right side elevational view thereof;

FIG. 6 is a top plan view thereof; and,

FIG. 7 is a bottom plan view thereof.

The broken line portion of the figure drawings is included to show unclaimed subject matter only and forms no part of the claimed design.

1 Claim, 7 Drawing Sheets



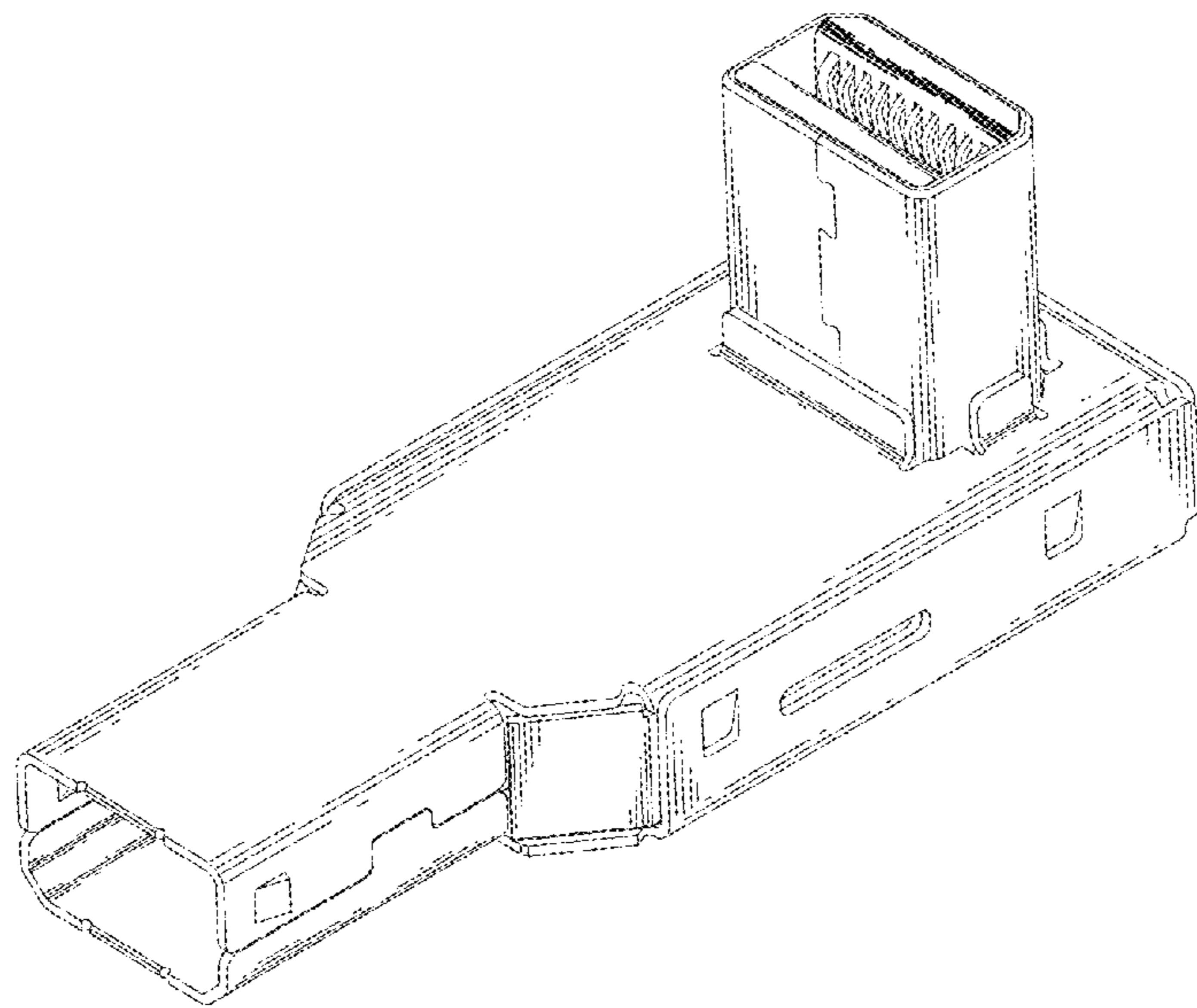


FIG. 1

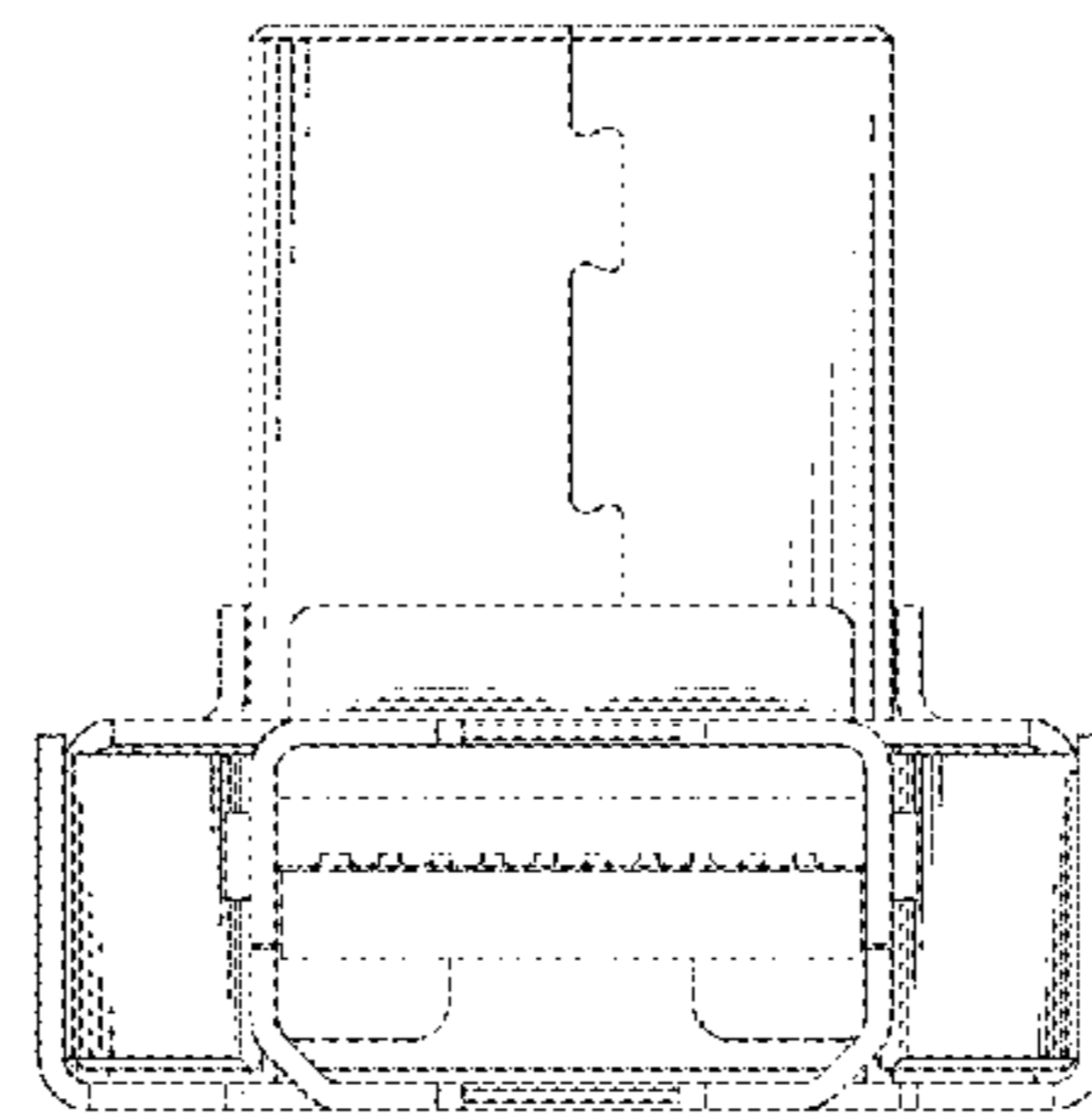


FIG. 2

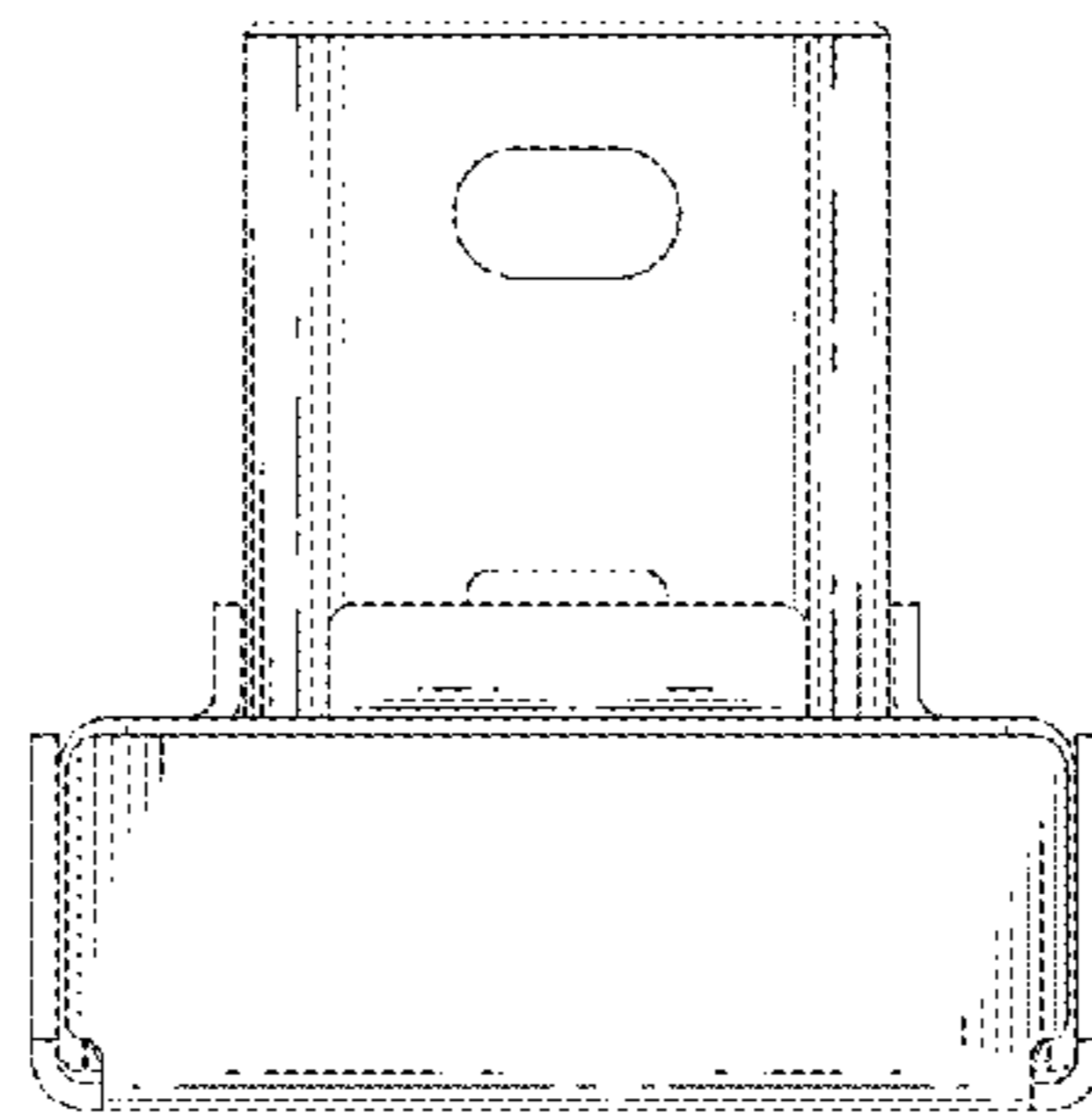


FIG. 3

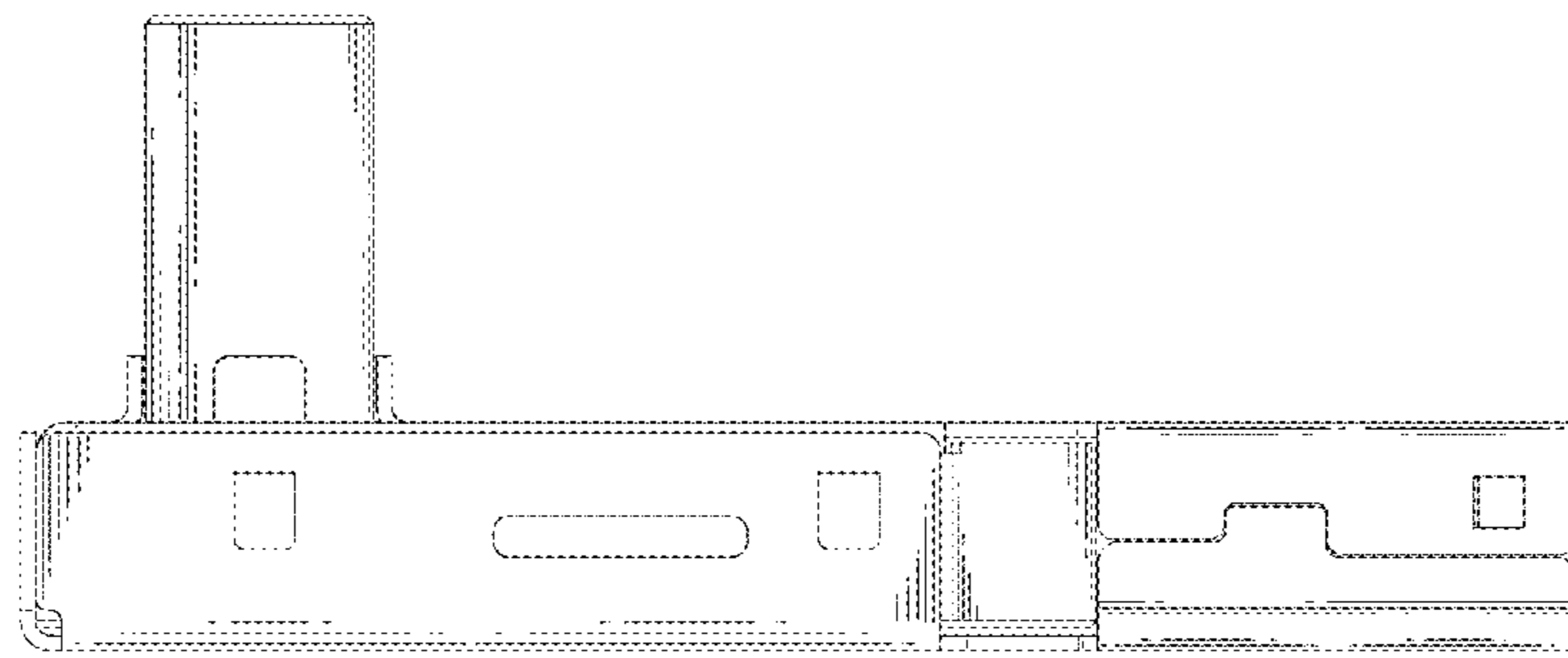


FIG. 4

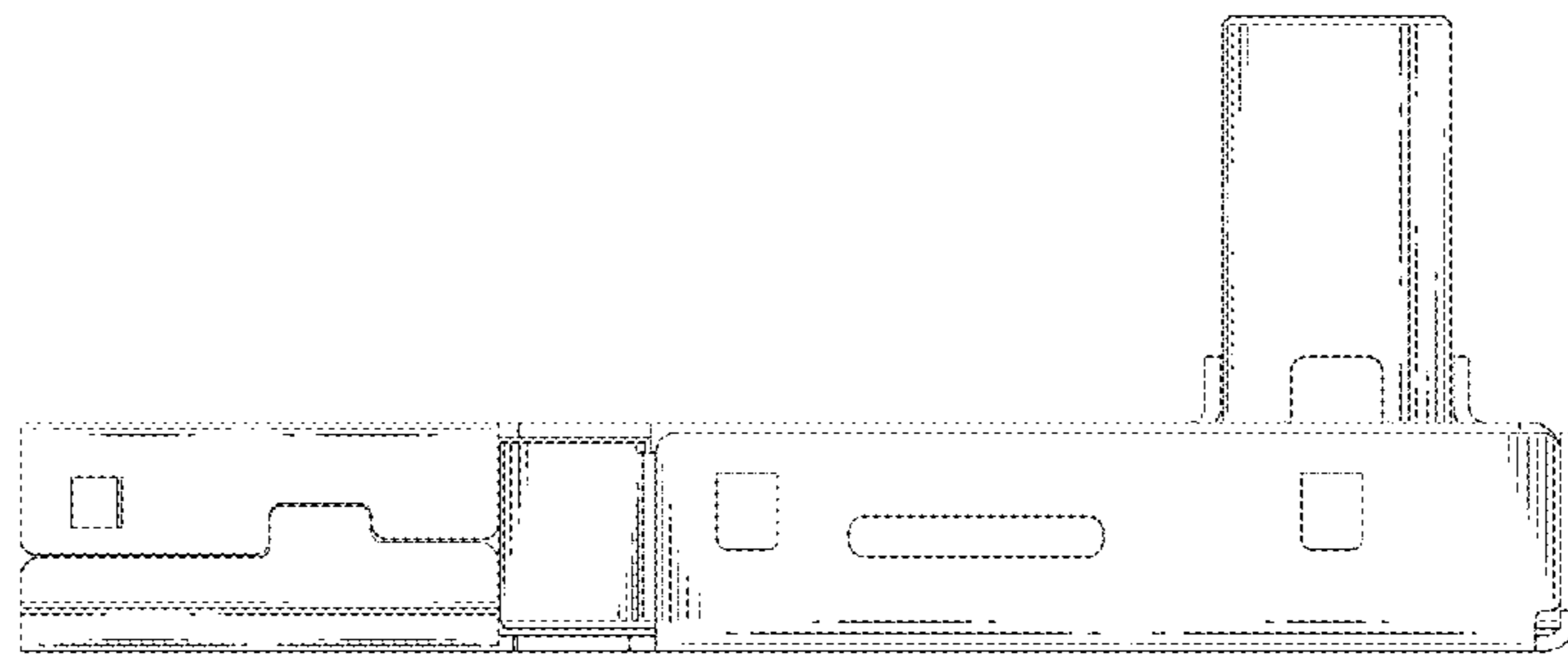


FIG. 5

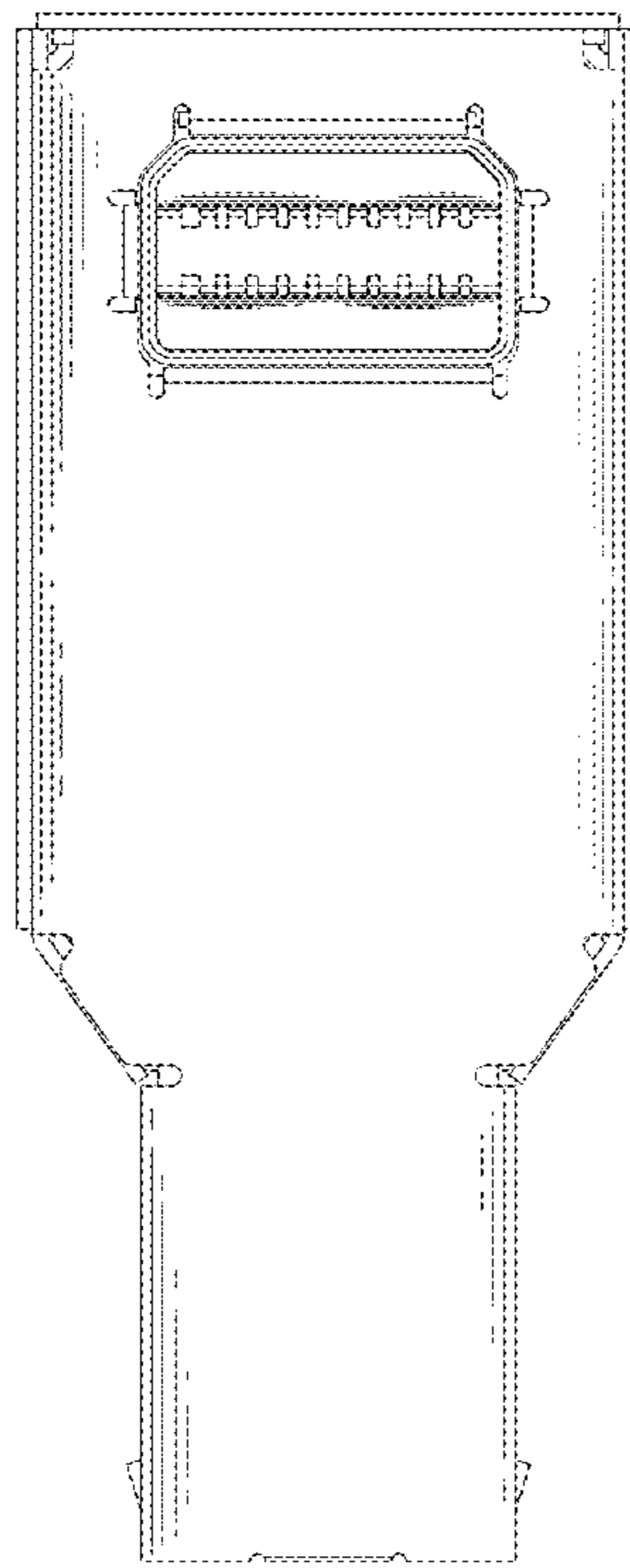


FIG. 6

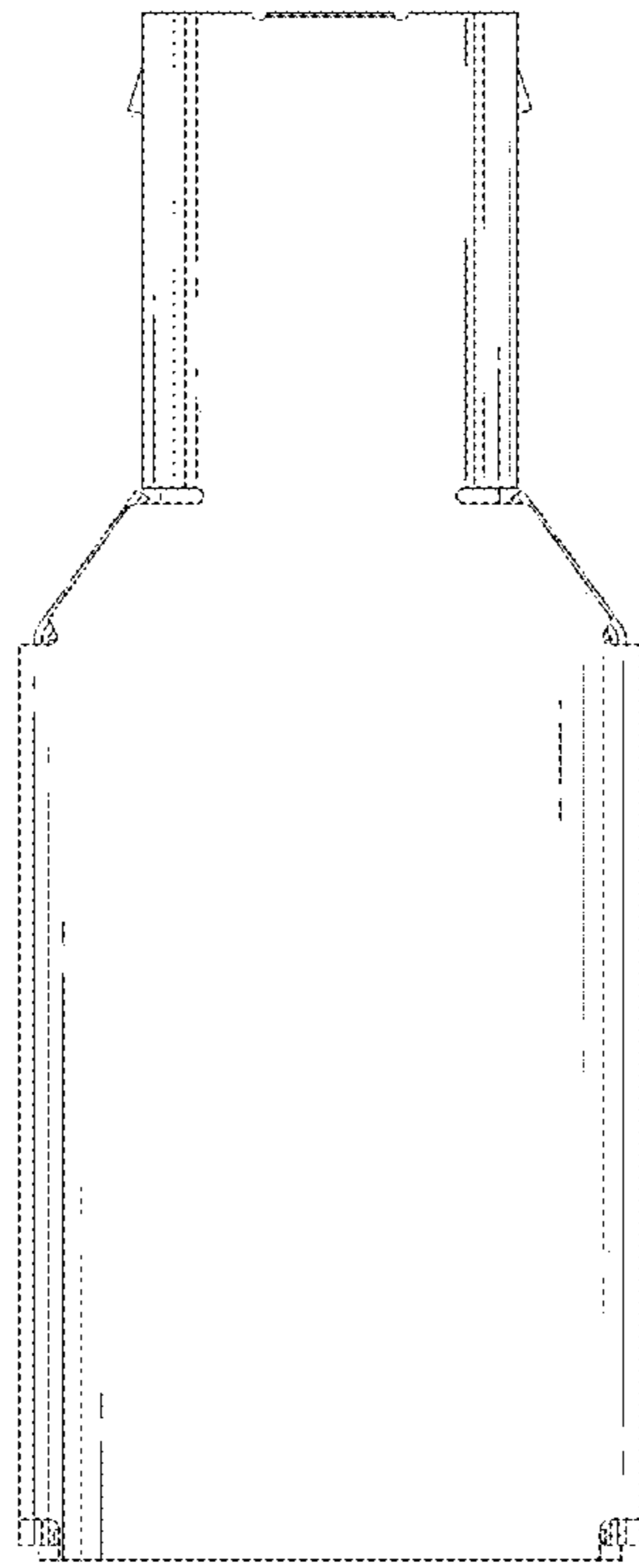


FIG. 7