



US00D671497S

(12) **United States Design Patent**
Smith et al.

(10) **Patent No.:** **US D671,497 S**

(45) **Date of Patent:** **** Nov. 27, 2012**

(54) **CAR CHARGER**

(75) Inventors: **Dustin Jonathan Smith**, Kitchener (CA); **Anders Fahrendorff**, Ottawa (CA); **Todd Andrew Wood**, Toronto (CA)

(73) Assignee: **Research In Motion Limited**, Waterloo, Ontario (CA)

(**) Term: **14 Years**

(21) Appl. No.: **29/420,015**

(22) Filed: **May 3, 2012**

(51) **LOC (9) Cl.** **13-03**

(52) **U.S. Cl.** **D13/144**

(58) **Field of Classification Search** D13/144,
D13/101, 107, 108, 110, 118, 119, 133, 184,
D13/199; D14/155, 432, 434, 435.1, 356,
D14/480.1, 480.7; 320/107, 108, 109, 110,
320/111, 112, 113, 114, 115; 439/300, 620.01,
439/638, 668, 669, 675, 825; 363/146
See application file for complete search history.

(56) **References Cited**

U.S. PATENT DOCUMENTS

D406,261 S * 3/1999 Kettula et al. D13/144
6,612,875 B1 * 9/2003 Liao 439/675
D525,937 S * 8/2006 Seil et al. D13/144

D585,375 S * 1/2009 Andre et al. D13/133
D604,699 S * 11/2009 Yamamoto D13/144
7,679,322 B1 * 3/2010 Griffin 320/114
D614,137 S * 4/2010 Son et al. D13/144
D618,618 S * 6/2010 Lee et al. D13/144
D620,441 S * 7/2010 Hou D13/144
D622,218 S * 8/2010 Tseng et al. D13/144
D624,500 S * 9/2010 Chan D13/144
D631,837 S * 2/2011 Smith et al. D13/108
D656,465 S * 3/2012 Au D13/144

* cited by examiner

Primary Examiner — Derrick Holland

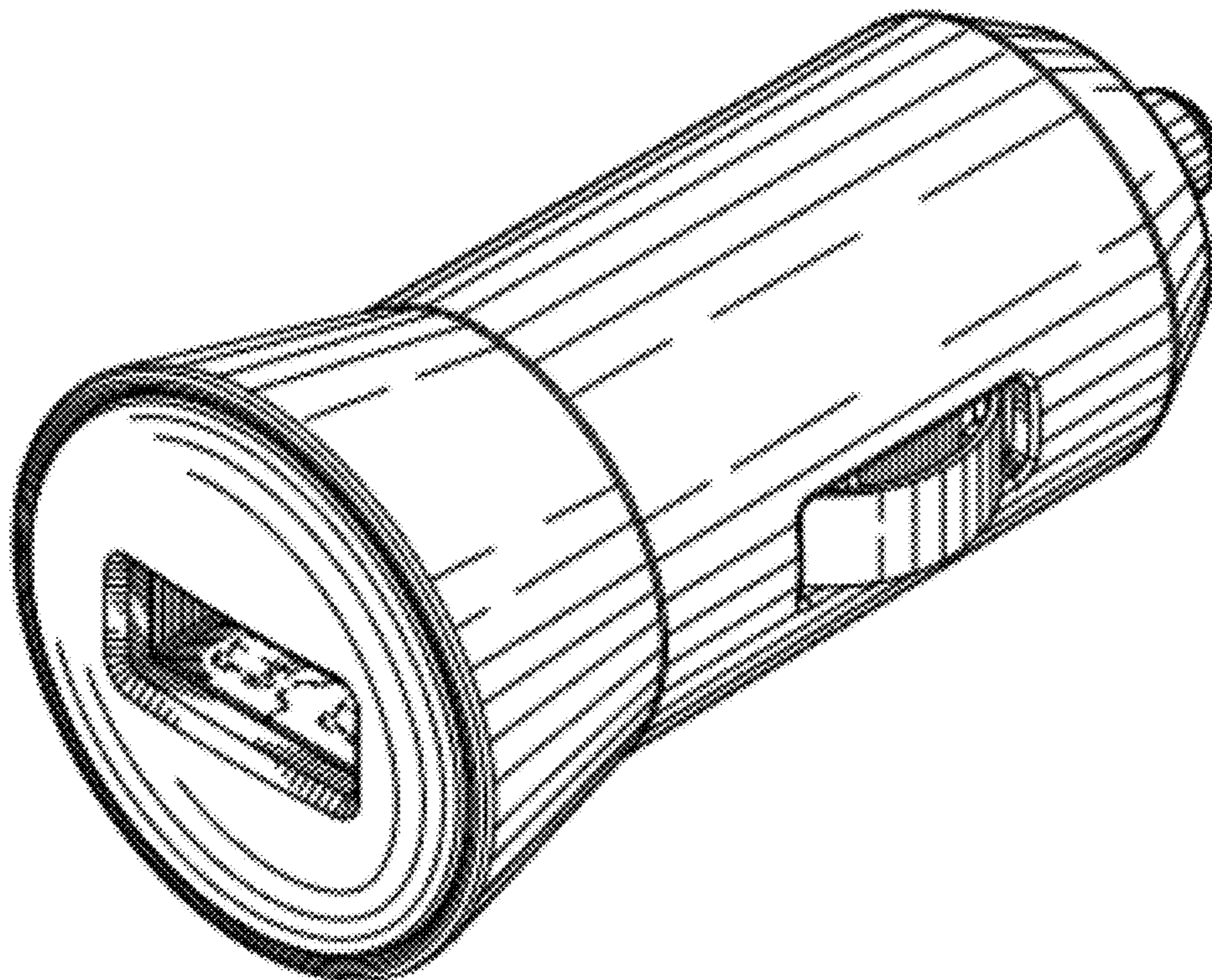
(57) **CLAIM**

We claim the ornamental design for a car charger, as shown and described.

DESCRIPTION

FIG. 1 is a front perspective view of a car charger;
FIG. 2 is a back perspective view of the car charger;
FIG. 3 is a front elevational view thereof;
FIG. 4 is a back elevational view thereof;
FIG. 5 is a top plan view thereof;
FIG. 6 is a bottom plan view thereof;
FIG. 7 is a left elevational view thereof; and,
FIG. 8 is a right elevational view thereof.
The broken lines shown represent unclaimed subject matter and form no part of the claimed design.

1 Claim, 4 Drawing Sheets



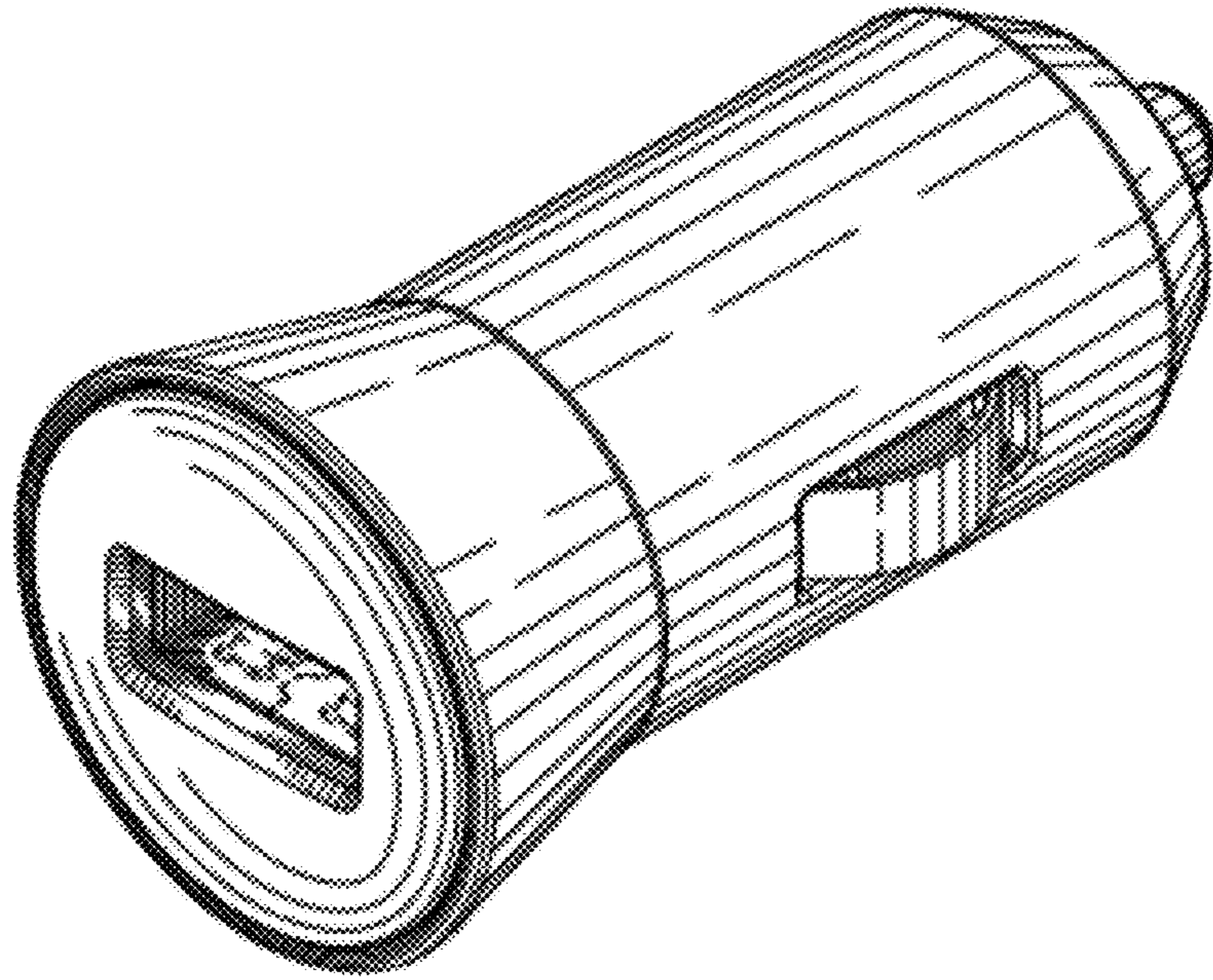


FIG. 1

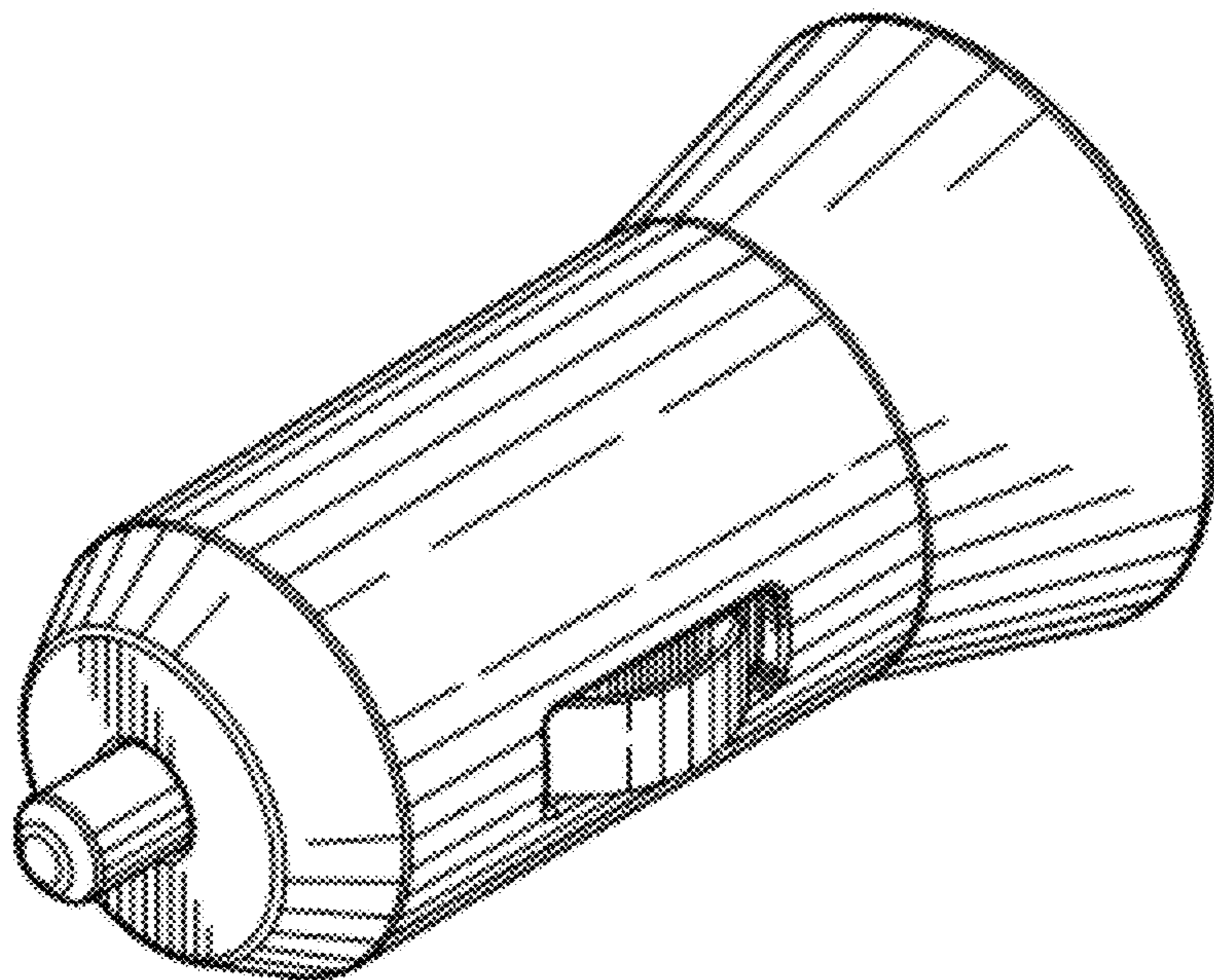


FIG. 2

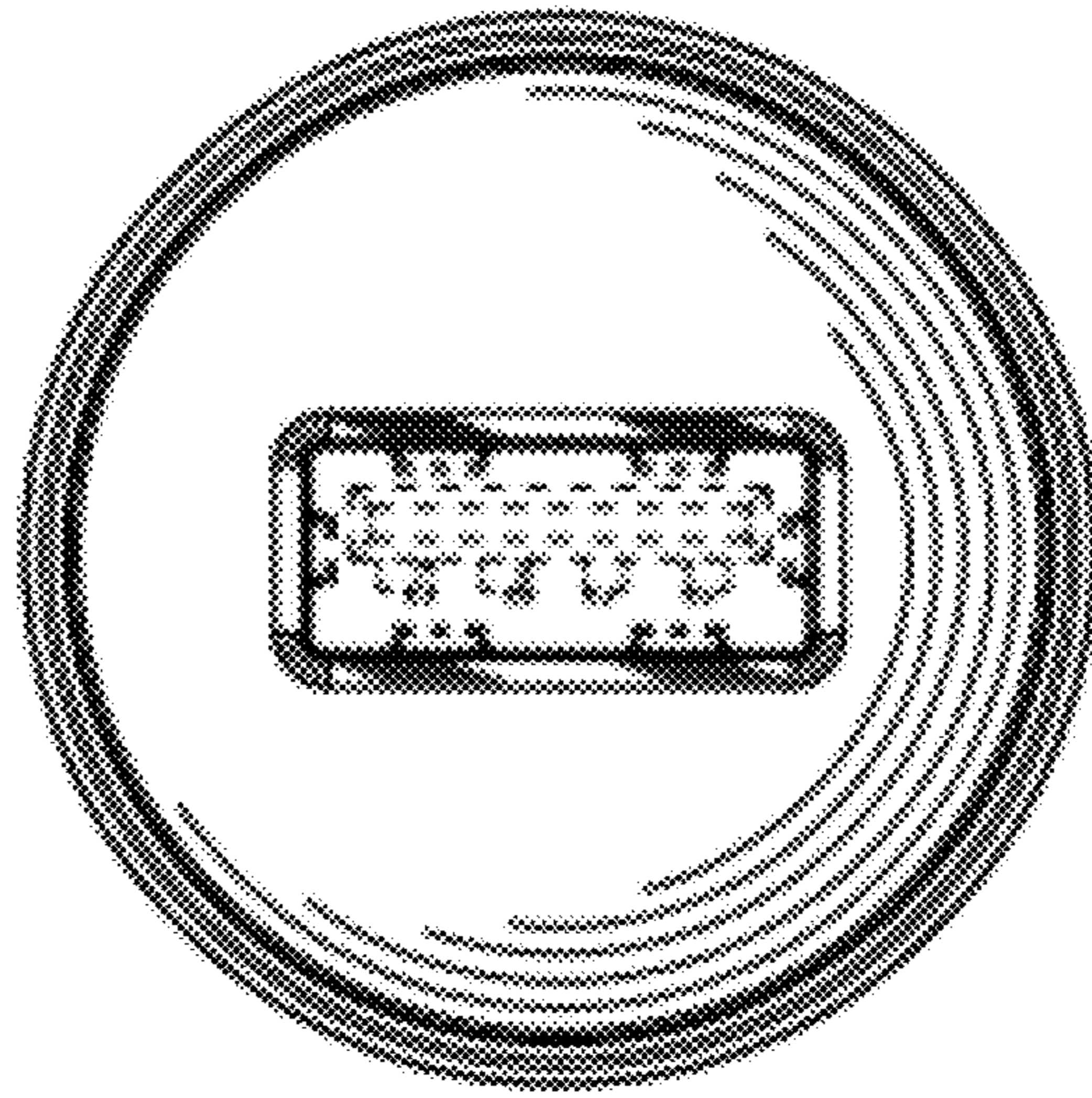


FIG. 3

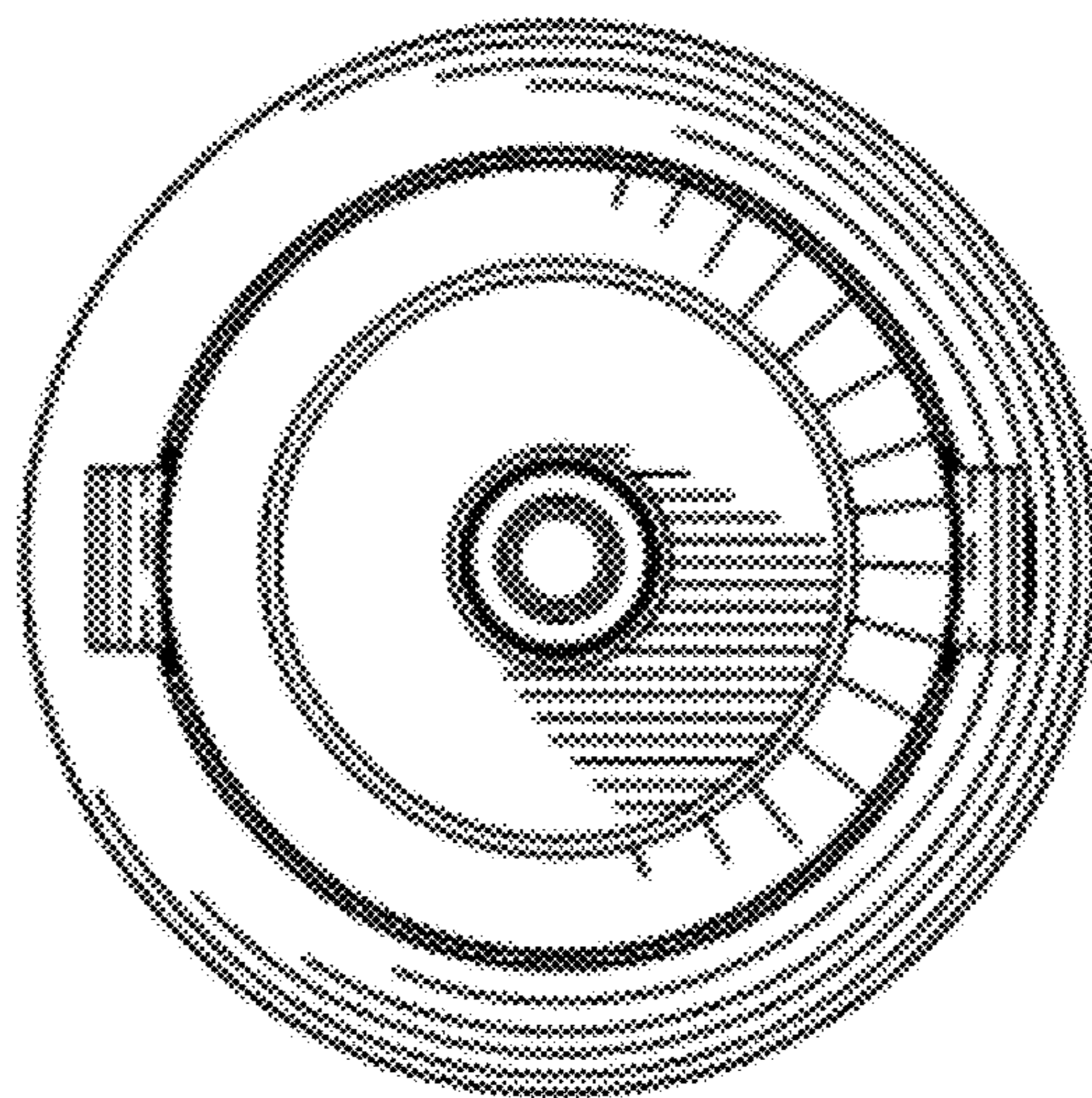


FIG. 4

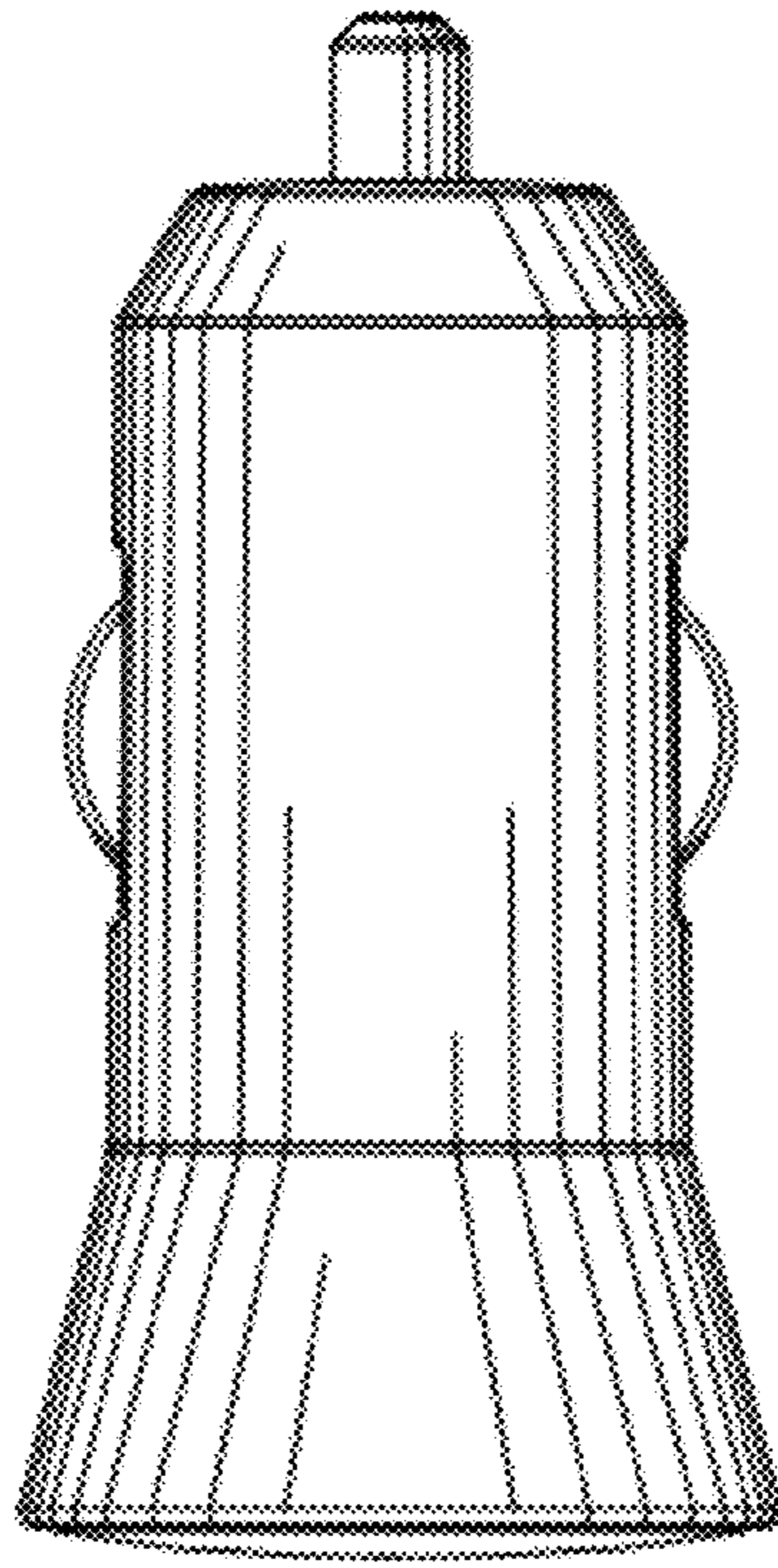


FIG. 5

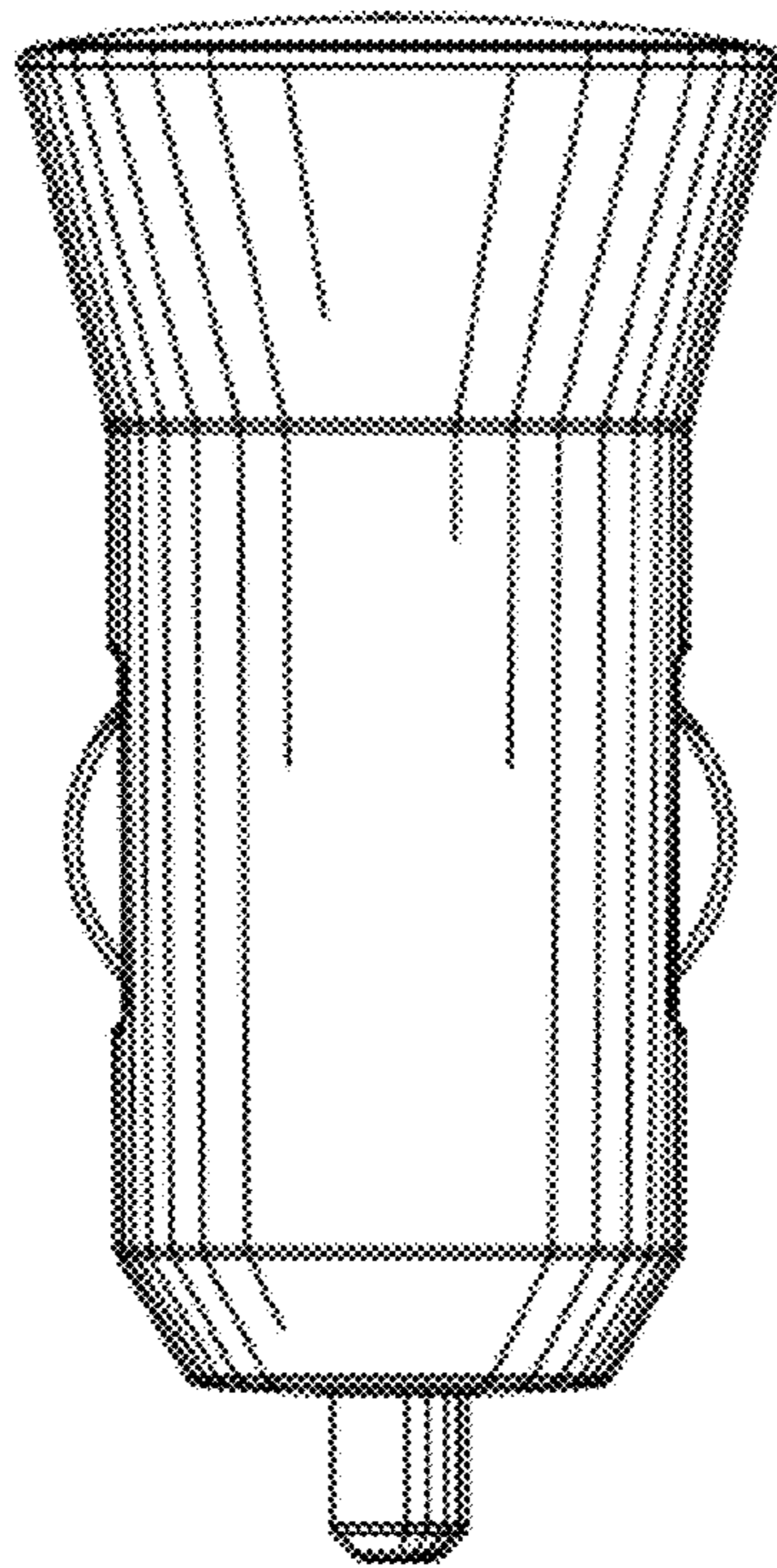


FIG. 6

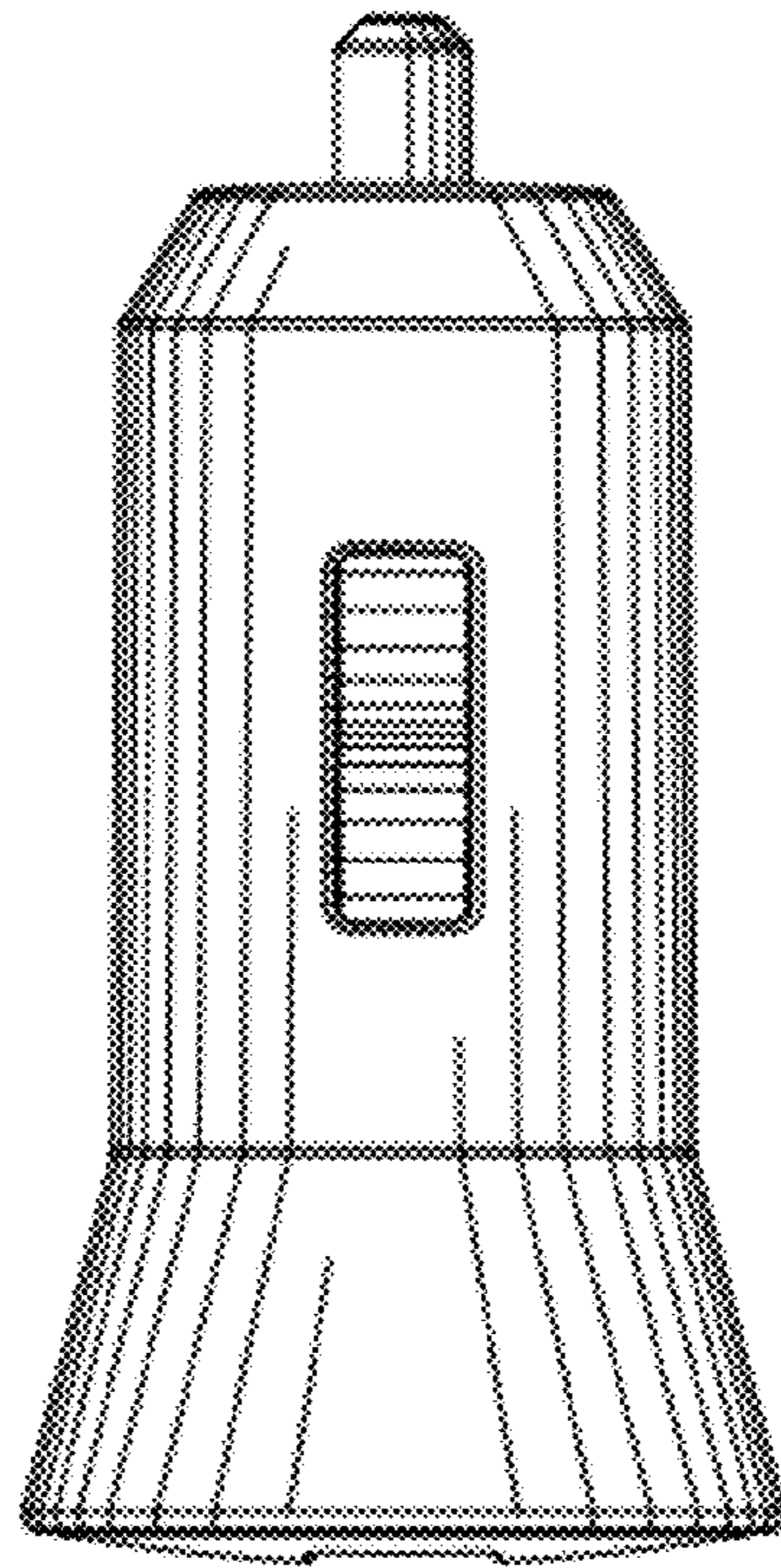


FIG. 7

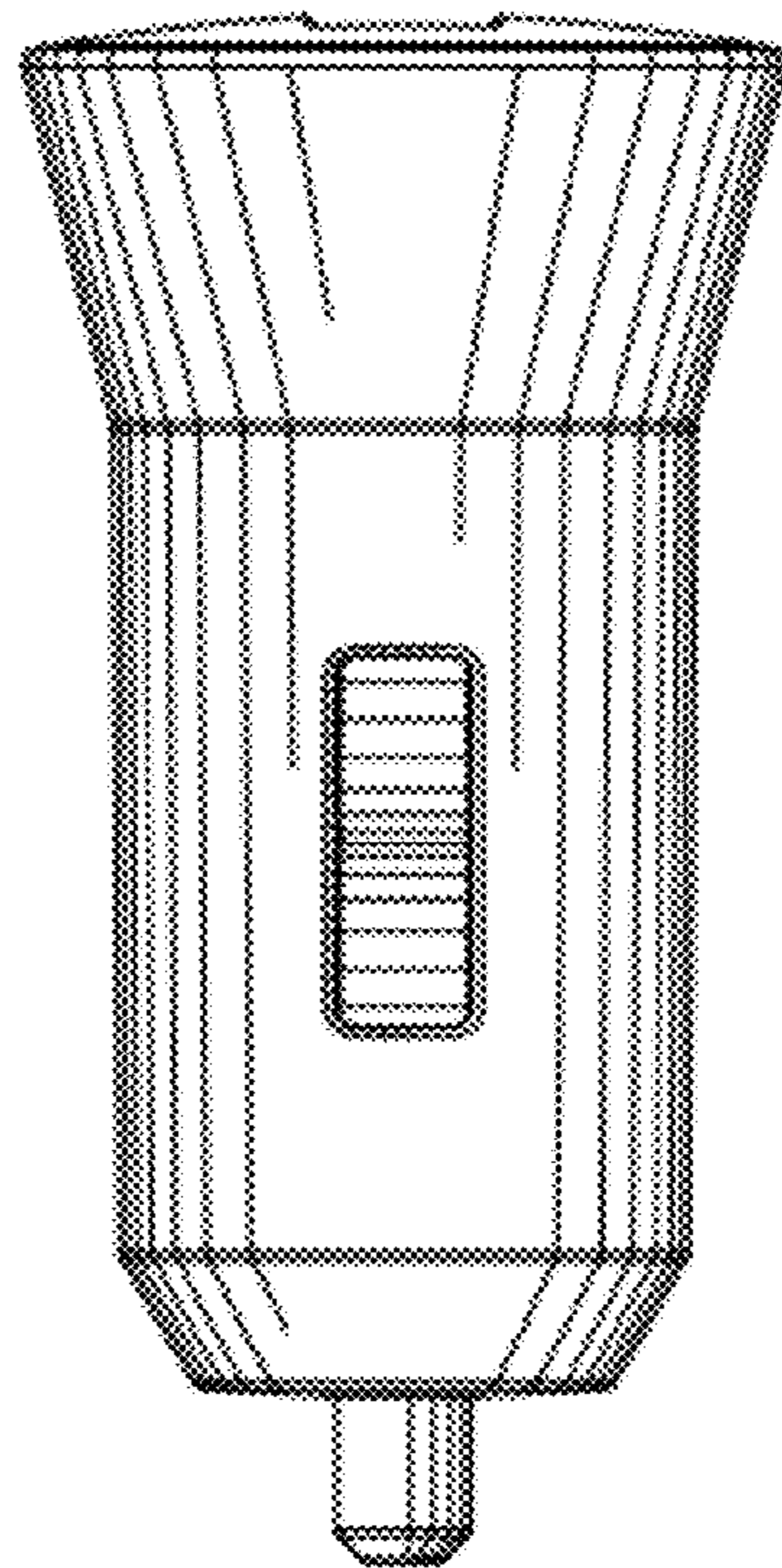


FIG. 8