



US00D671491S

(12) **United States Design Patent**  
**Zaslavsky et al.**

(10) **Patent No.:** **US D671,491 S**

(45) **Date of Patent:** **\*\* Nov. 27, 2012**

(54) **LOW PROFILE FLEXIBLE TELEVISION  
ADAPTER DEVICE WITH VIDEO AND AUDIO  
OUTPUTS**

(75) Inventors: **Eduard Zaslavsky**, Issaquah, WA (US);  
**Arthur Vaysman**, San Jose, CA (US)

(73) Assignee: **Web/Tuner, Corp.**, Redmond, WA (US)

(\*\*) Term: **14 Years**

(21) Appl. No.: **29/418,965**

(22) Filed: **Apr. 24, 2012**

(51) **LOC (9) Cl.** ..... **13-02**

(52) **U.S. Cl.** ..... **D13/110**

(58) **Field of Classification Search** ..... D13/110,  
D13/107, 108, 118, 119, 123, 133, 137.1,  
D13/184, 199; D14/242, 251, 432, 433,  
D14/434; 174/53, 54, 59, 61; 307/11, 150,  
307/151; 320/107, 111, 112, 113, 114, 115;  
361/679.01; 363/142, 146; 439/131, 172,  
439/626, 628, 638

See application file for complete search history.

(56) **References Cited**

U.S. PATENT DOCUMENTS

D503,679 S \* 4/2005 Andre et al. .... D13/110  
D519,922 S \* 5/2006 Andre et al. .... D13/110

D537,780 S \* 3/2007 Suckle ..... D13/133  
D570,772 S \* 6/2008 Mahaffey et al. .... D13/110  
D575,227 S \* 8/2008 So ..... D13/110  
D575,730 S \* 8/2008 Hung ..... D13/110  
D599,738 S \* 9/2009 Amidei et al. .... D13/110  
D599,800 S \* 9/2009 Klein et al. .... D14/433  
D601,961 S \* 10/2009 Mahaffey et al. .... D13/123  
D628,535 S \* 12/2010 Cheng ..... D13/108

\* cited by examiner

*Primary Examiner* — Derrick Holland

(74) *Attorney, Agent, or Firm* — Remenick PLLC

(57) **CLAIM**

The ornamental design for a low profile flexible television adapter device with video and audio outputs, as shown and described.

**DESCRIPTION**

FIG. 1 is a front perspective view of a low profile flexible television adapter device with video and audio outputs showing our new design;

FIG. 2 is a back perspective view thereof;

FIG. 3 is a back view thereof;

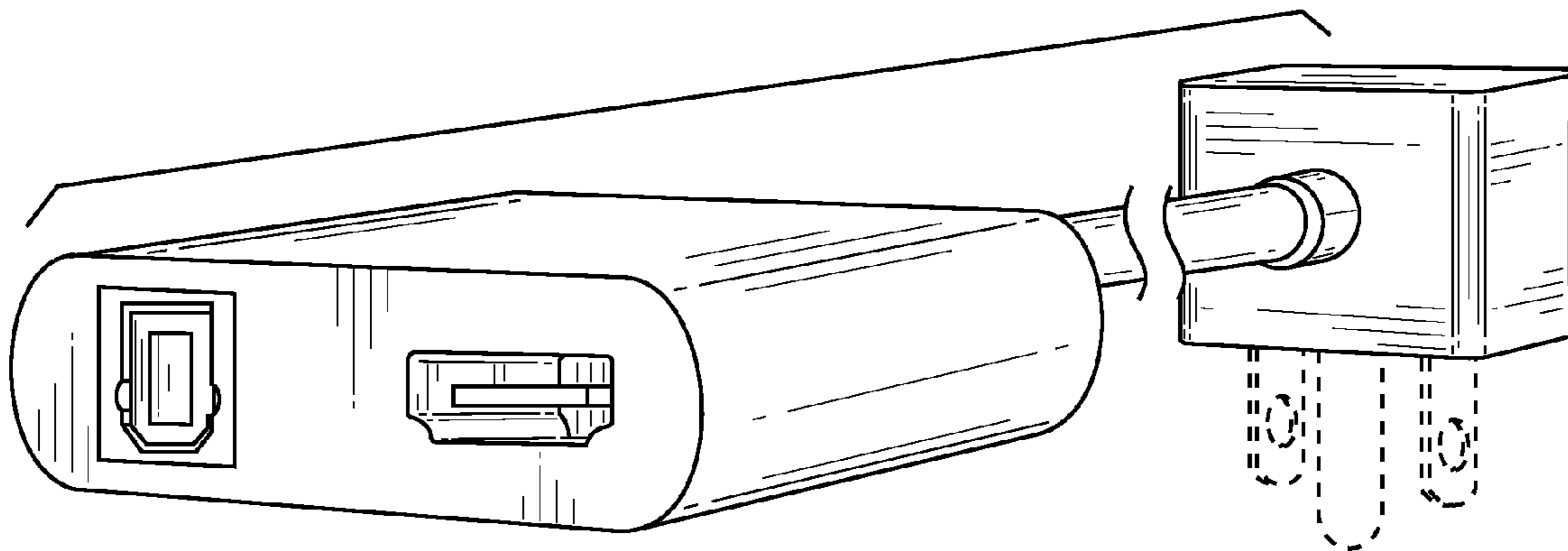
FIG. 4 is a front view thereof;

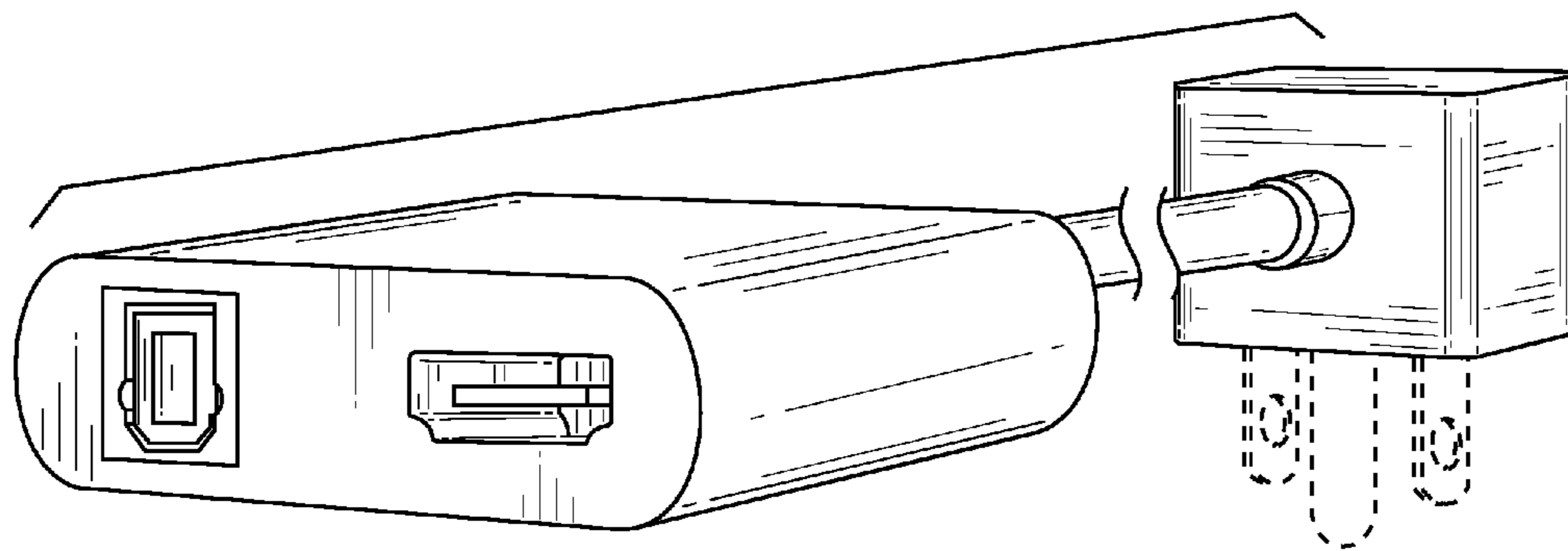
FIG. 5 is a side view thereof; and,

FIG. 6 is a top view thereof.

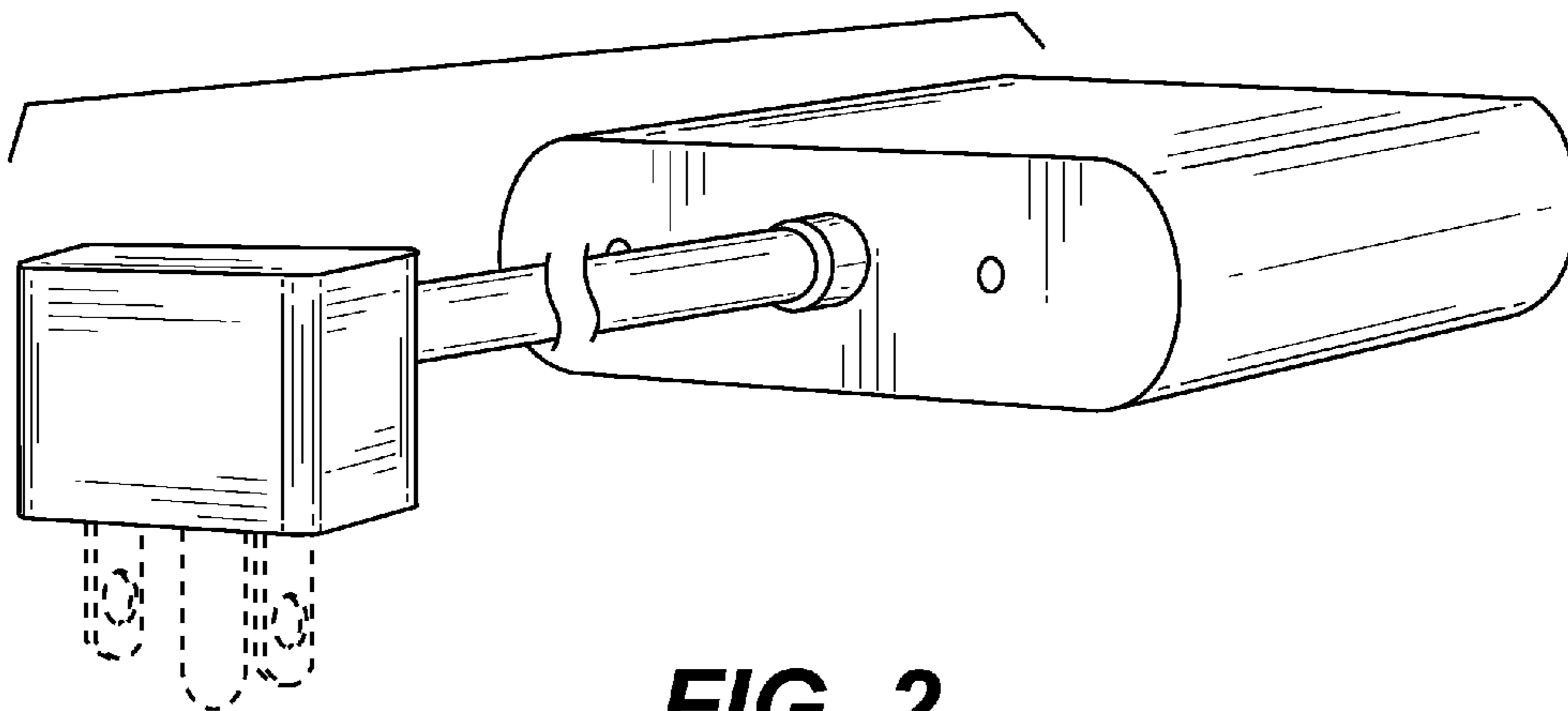
The broken lines shown represent unclaimed subject matter and form no part of the claimed design.

**1 Claim, 3 Drawing Sheets**

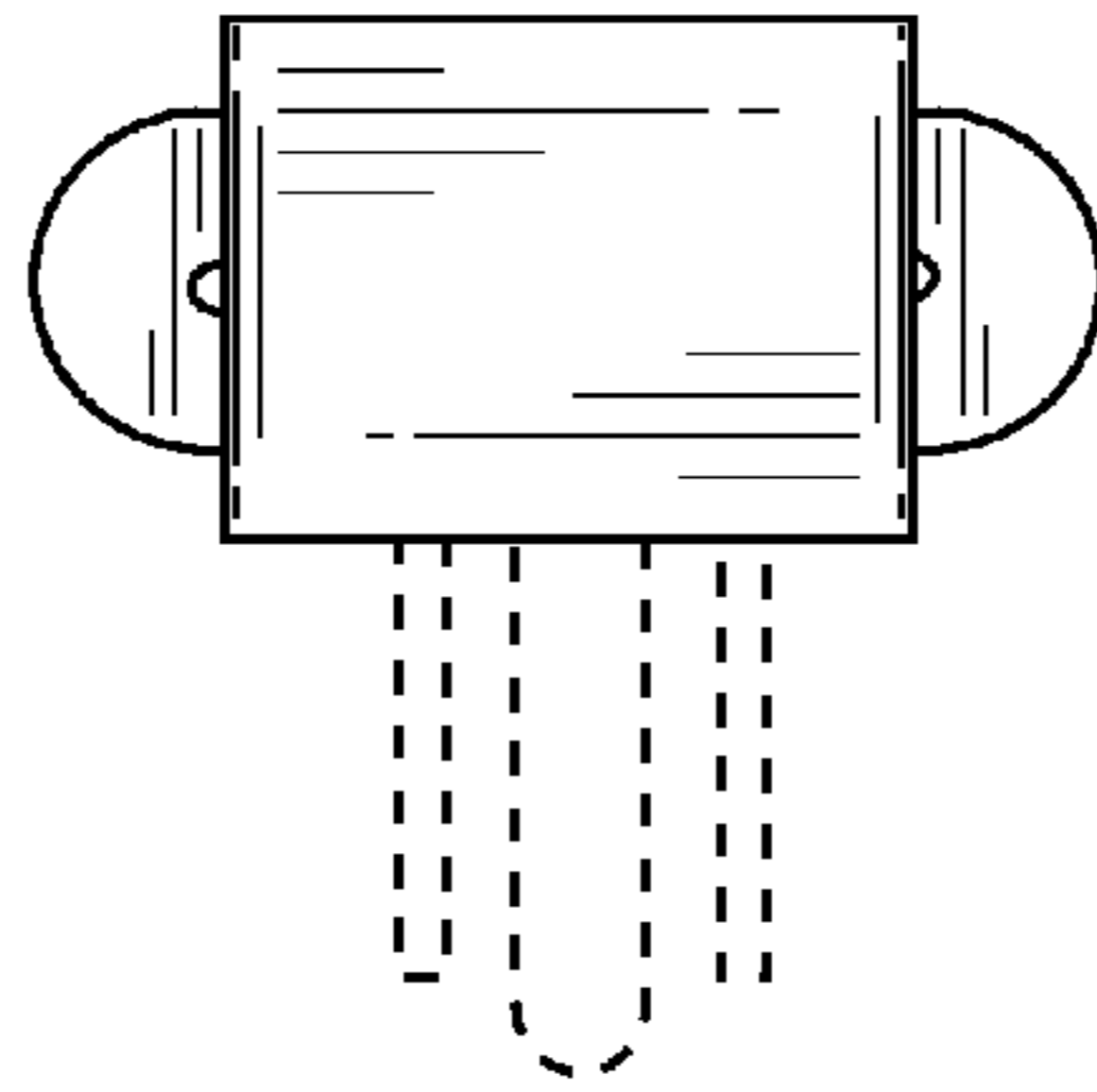




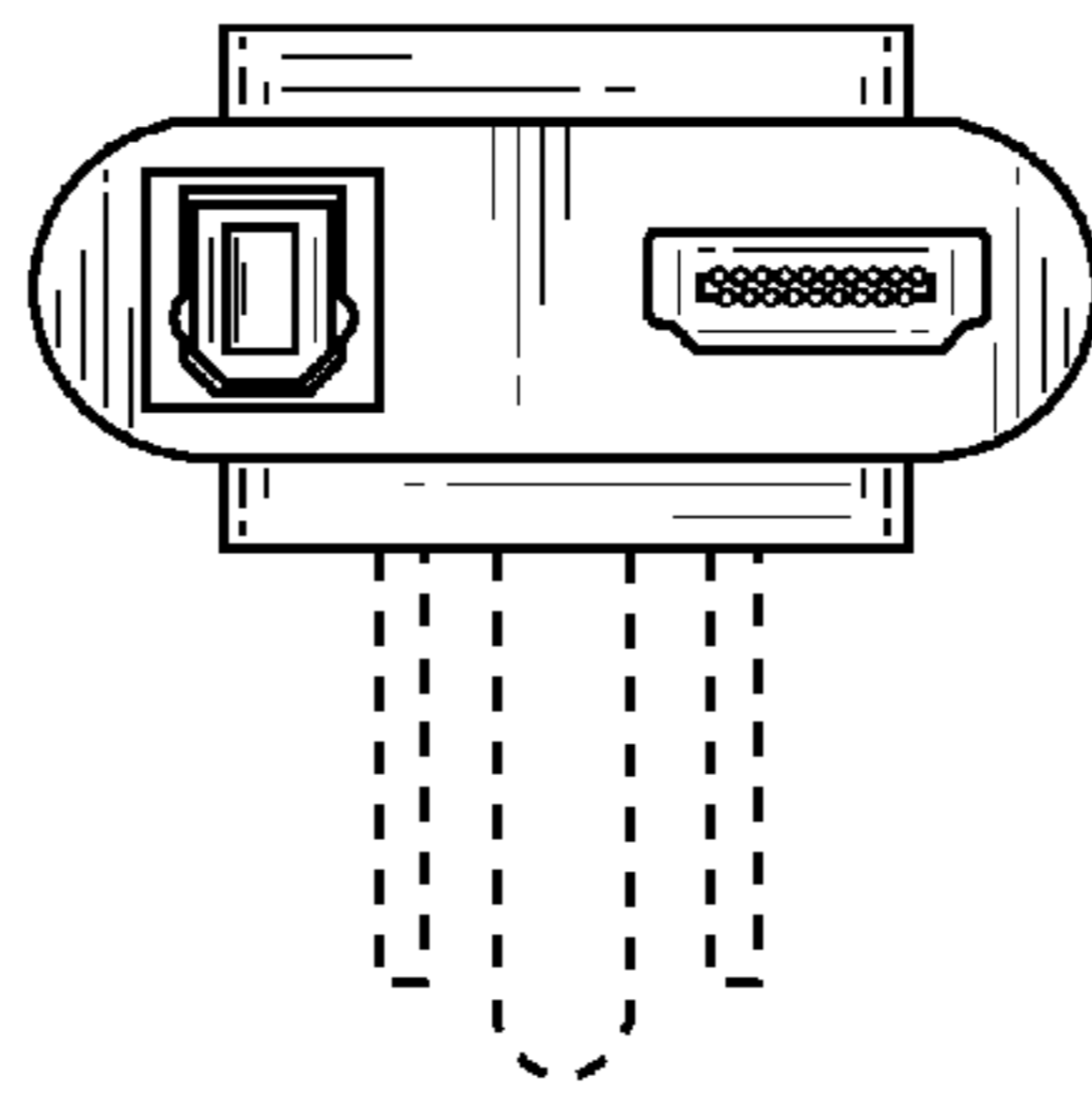
**FIG. 1**



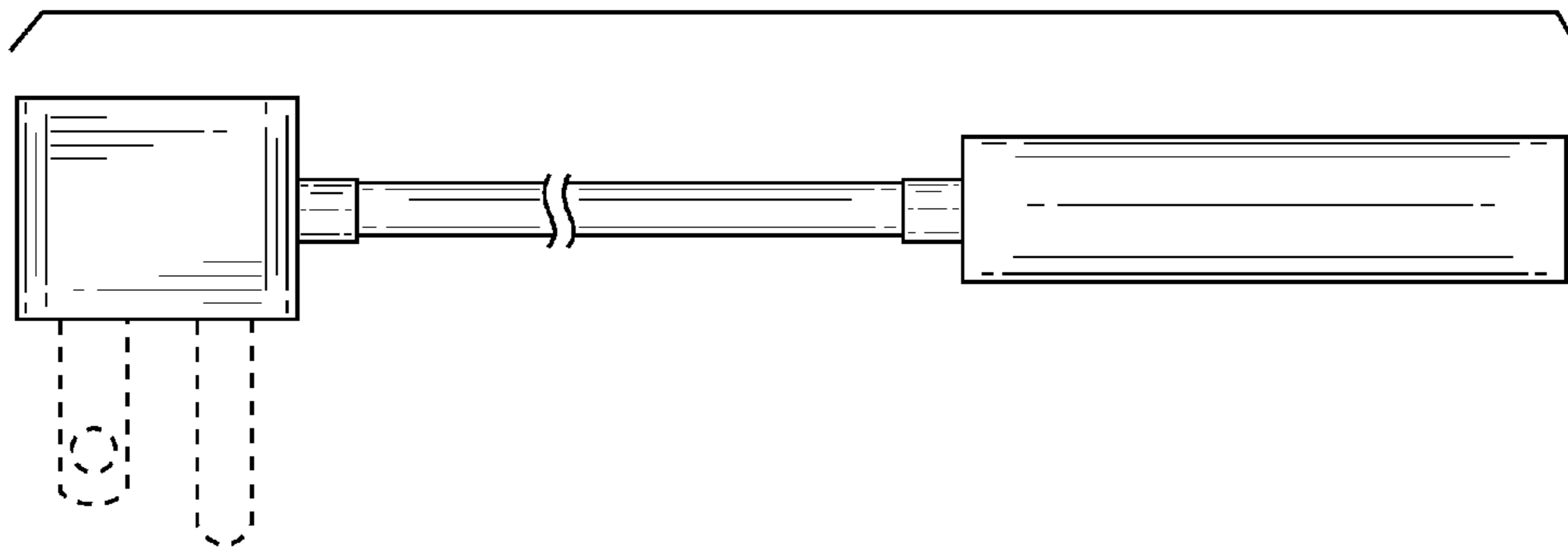
**FIG. 2**



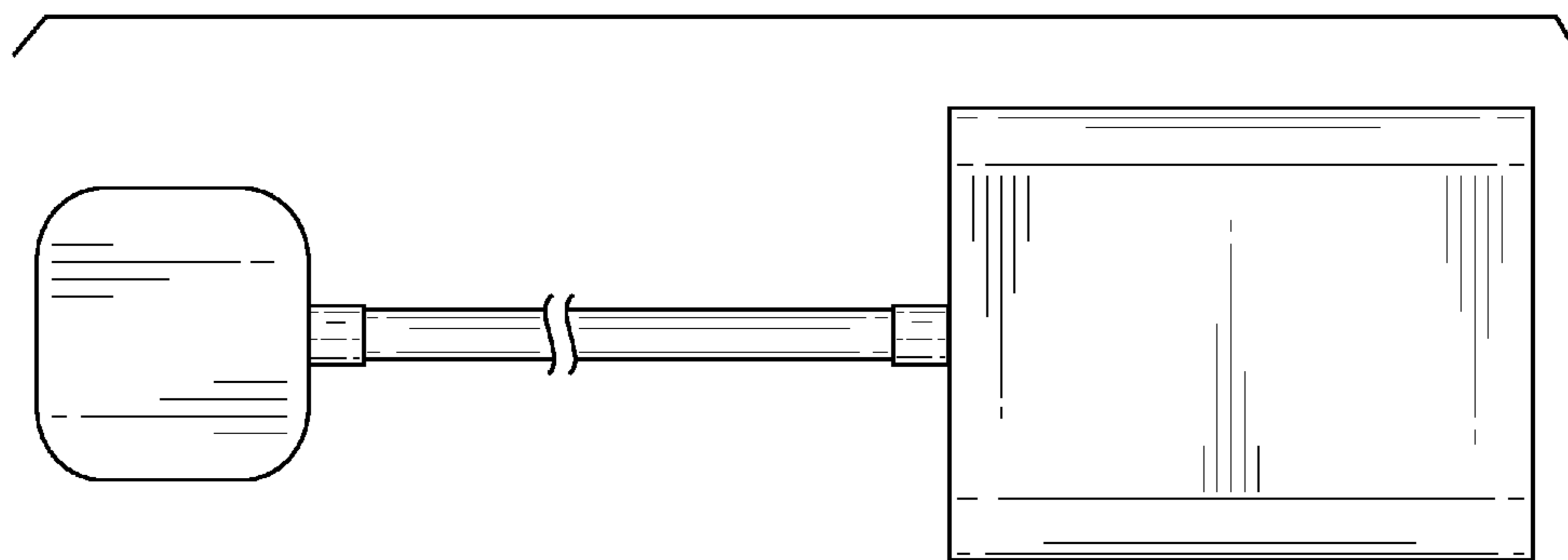
**FIG. 3**



**FIG. 4**



**FIG. 5**



**FIG. 6**

UNITED STATES PATENT AND TRADEMARK OFFICE  
**CERTIFICATE OF CORRECTION**

PATENT NO. : D671,491 S  
APPLICATION NO. : 29/418965  
DATED : November 27, 2012  
INVENTOR(S) : Zaslavksy et al.

Page 1 of 1

It is certified that error appears in the above-identified patent and that said Letters Patent is hereby corrected as shown below:

On the cover page, item (73), delete “Web/Tuner, Corp.,” and insert therefore --WebTuner, Corp.--

Signed and Sealed this  
First Day of January, 2013

A handwritten signature in black ink that reads "David J. Kappos". The signature is written in a cursive, slightly slanted style.

David J. Kappos  
*Director of the United States Patent and Trademark Office*