



US00D671488S

(12) **United States Design Patent**  
**Ashida et al.**

(10) **Patent No.:** **US D671,488 S**  
(45) **Date of Patent:** **\*\* Nov. 27, 2012**

(54) **POWER ADAPTER**

(75) Inventors: **Kenichiro Ashida**, Kyoto (JP); **Masato Ibuki**, Kyoto (JP); **Shinji Yamamoto**, Kyoto (JP); **Fumiyoshi Suetake**, Kyoto (JP); **Akiko Suga**, Kyoto (JP); **Naoya Yamamoto**, Kyoto (JP); **Hitoshi Tsuchiya**, Kyoto (JP); **Hidekazu Yata**, Kyoto (JP); **Sadayoshi Hattori**, Kyoto (JP); **Tomoki Narita**, Kyoto (JP)

(73) Assignee: **Nintendo Co., Ltd.**, Kyoto (JP)

(\*\*) Term: **14 Years**

(21) Appl. No.: **29/407,835**

(22) Filed: **Dec. 2, 2011**

(30) **Foreign Application Priority Data**

Jun. 3, 2011 (JP) ..... 2011-012720

(51) **LOC (9) Cl.** ..... **13-02**

(52) **U.S. Cl.** ..... **D13/110**

(58) **Field of Classification Search** ..... D13/110,  
D13/103, 108, 123, 133, 137.1, 199; 174/53,  
174/54, 57, 59, 61; 307/150, 151; 320/111,  
320/114; 439/105, 166, 171-173, 218, 518,  
439/692, 956; D14/214, 432, 433

See application file for complete search history.

(56) **References Cited**

**U.S. PATENT DOCUMENTS**

D295,739 S \* 5/1988 Lanci et al. .... D13/103  
5,019,767 A \* 5/1991 Shirai et al. .... 320/112  
D363,269 S \* 10/1995 Riley et al. .... D13/133

D368,466 S \* 4/1996 Ahn et al. .... D13/110  
D375,483 S \* 11/1996 Tashiro ..... D13/110  
D456,008 S 4/2002 Kawanobe et al.  
D467,592 S \* 12/2002 Hussaini et al. .... D14/496  
D468,264 S 1/2003 Sugino  
6,669,495 B2 \* 12/2003 Philips et al. .... 439/170  
D484,853 S \* 1/2004 Alviar ..... D13/110  
D503,679 S \* 4/2005 Andre et al. .... D13/110  
D537,410 S \* 2/2007 Yuen ..... D13/110  
D553,120 S \* 10/2007 Yano ..... D14/214  
D559,178 S \* 1/2008 Ashida et al. .... D13/110  
D575,730 S \* 8/2008 Hung ..... D13/110  
D593,031 S 5/2009 Miyatake et al.

\* cited by examiner

*Primary Examiner* — Derrick Holland

(74) *Attorney, Agent, or Firm* — Nixon & Vanderhye, P.C.

(57) **CLAIM**

The ornamental design for a power adapter, as shown and described.

**DESCRIPTION**

FIG. 1 is a front, right and top perspective view of a power adapter showing our new design;  
FIG. 2 is a rear, left and bottom perspective view thereof;  
FIG. 3 is a front view thereof;  
FIG. 4 is a rear view thereof;  
FIG. 5 is a top plan view thereof;  
FIG. 6 is a bottom plan view thereof;  
FIG. 7 is a left side view thereof; and,  
FIG. 8 is a right side view thereof.

The broken lines shown represent unclaimed subject matter and form no part of the claimed design.

**1 Claim, 3 Drawing Sheets**

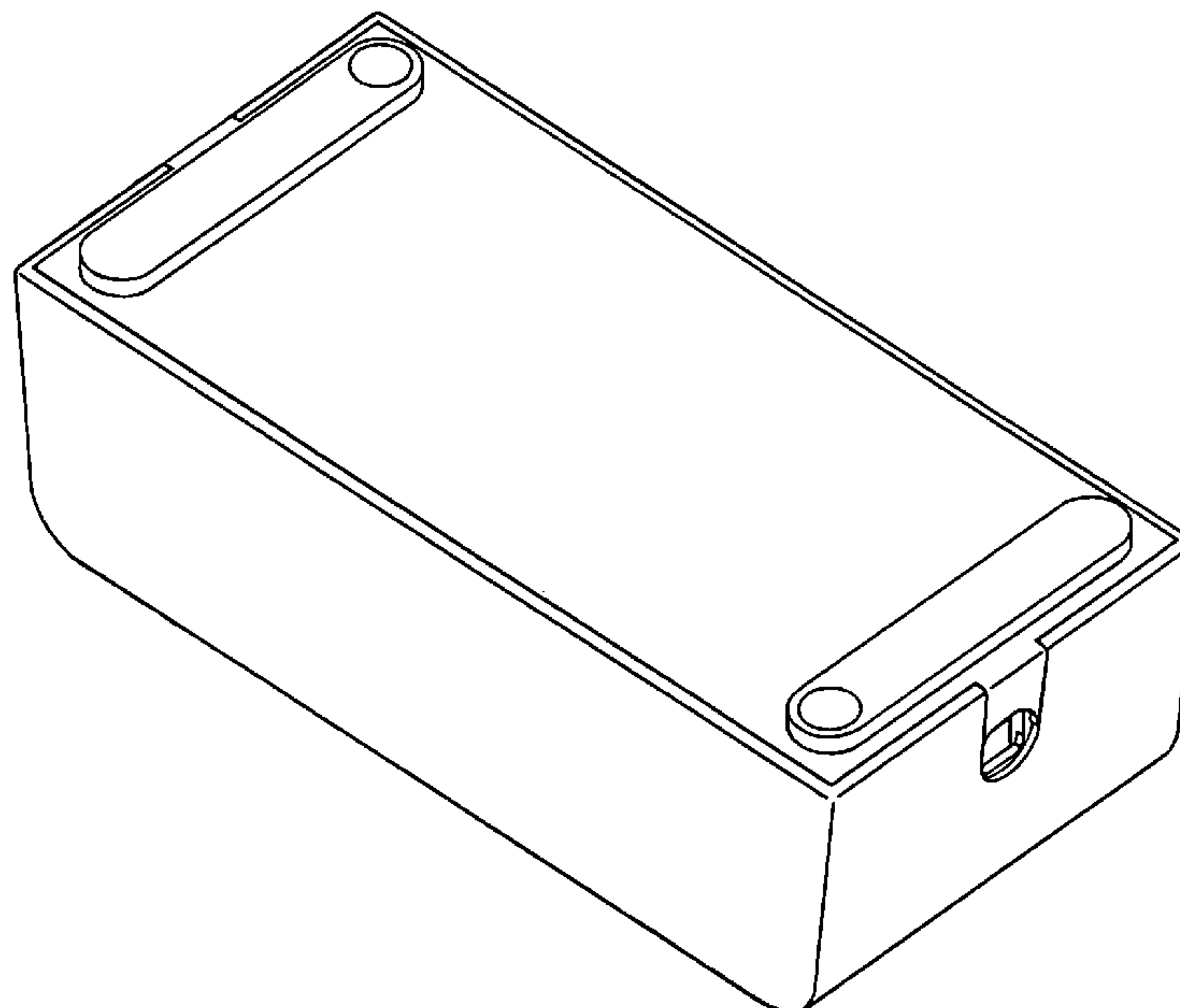


FIG. 1

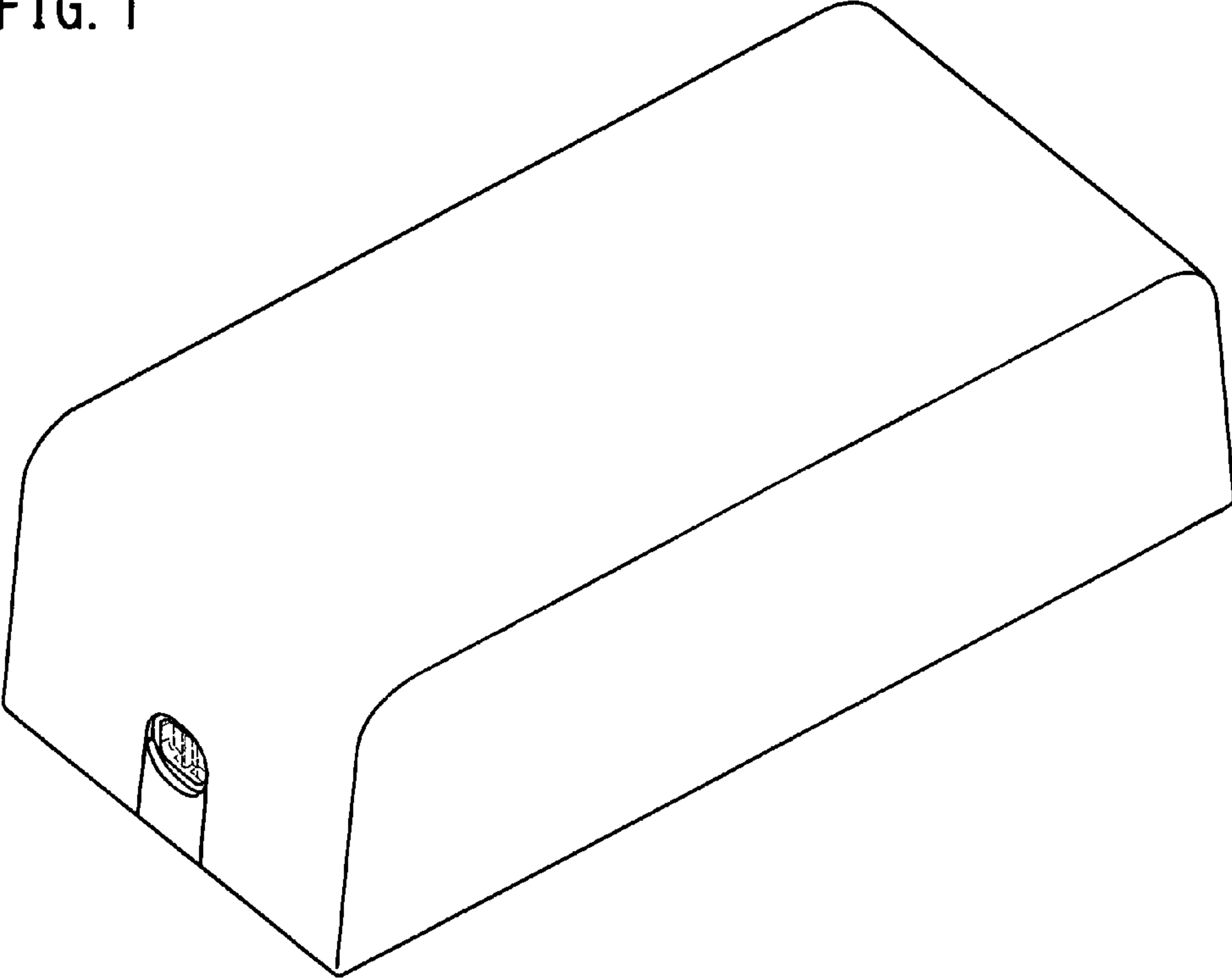


FIG. 2

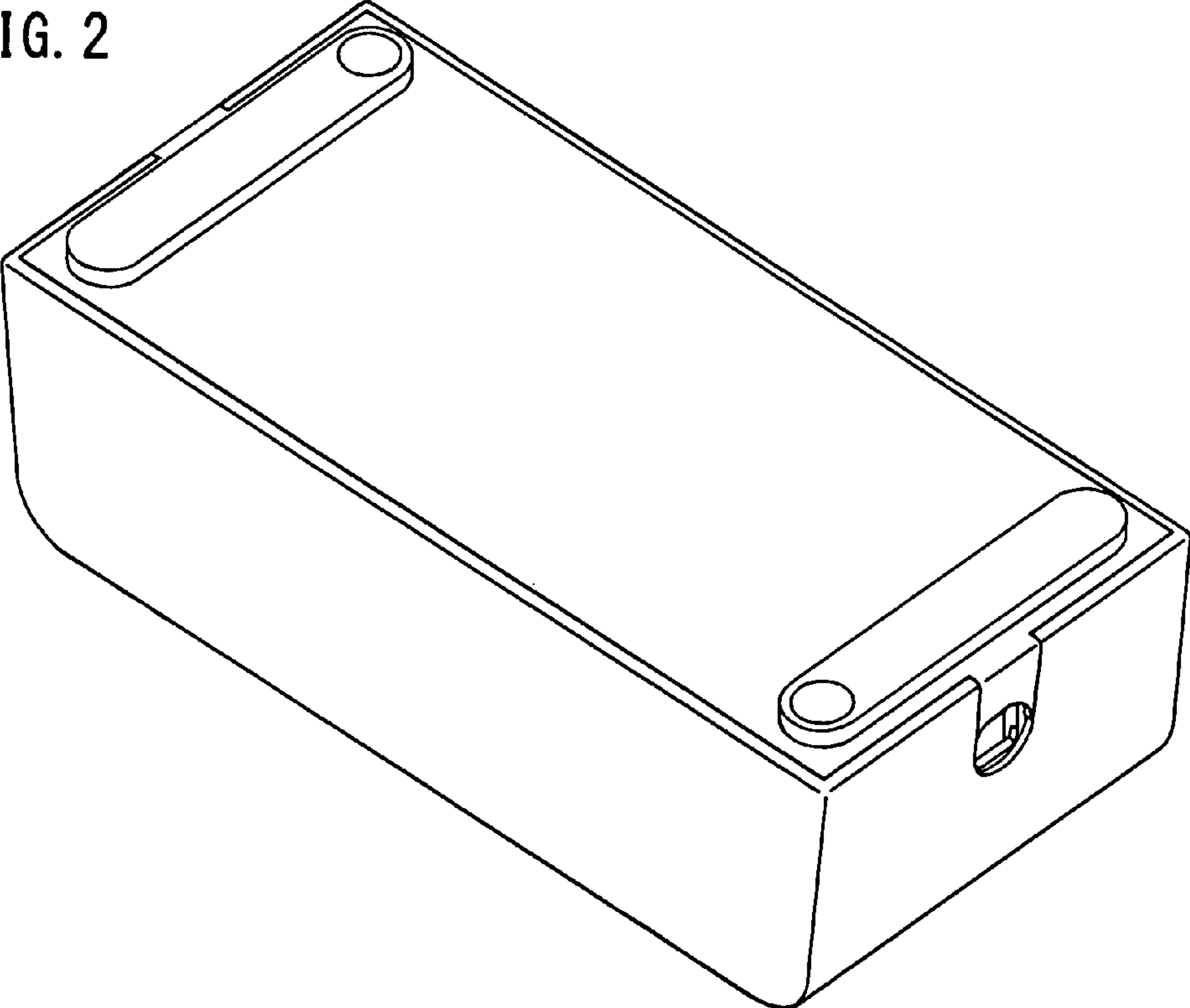


FIG. 3

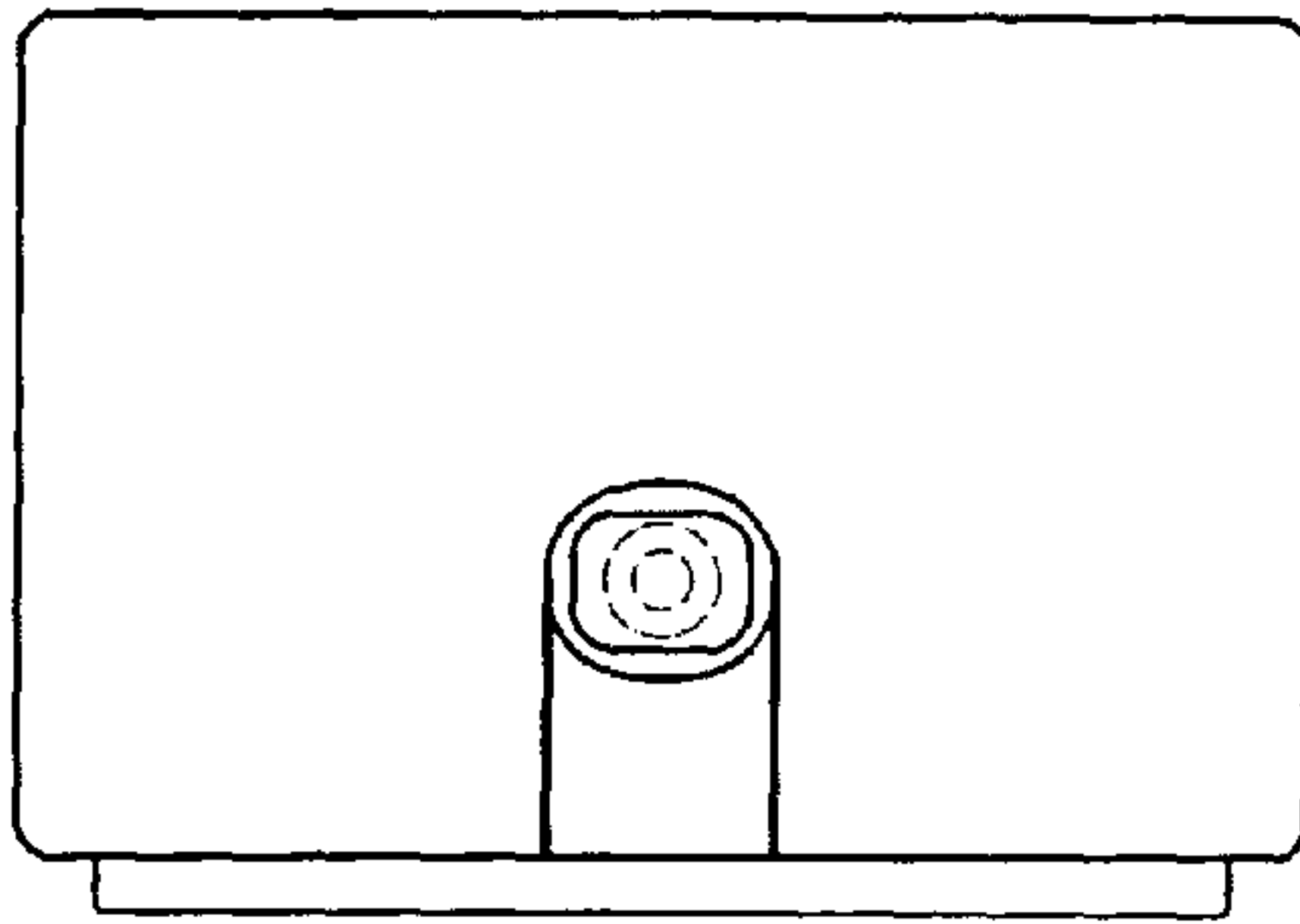


FIG. 4

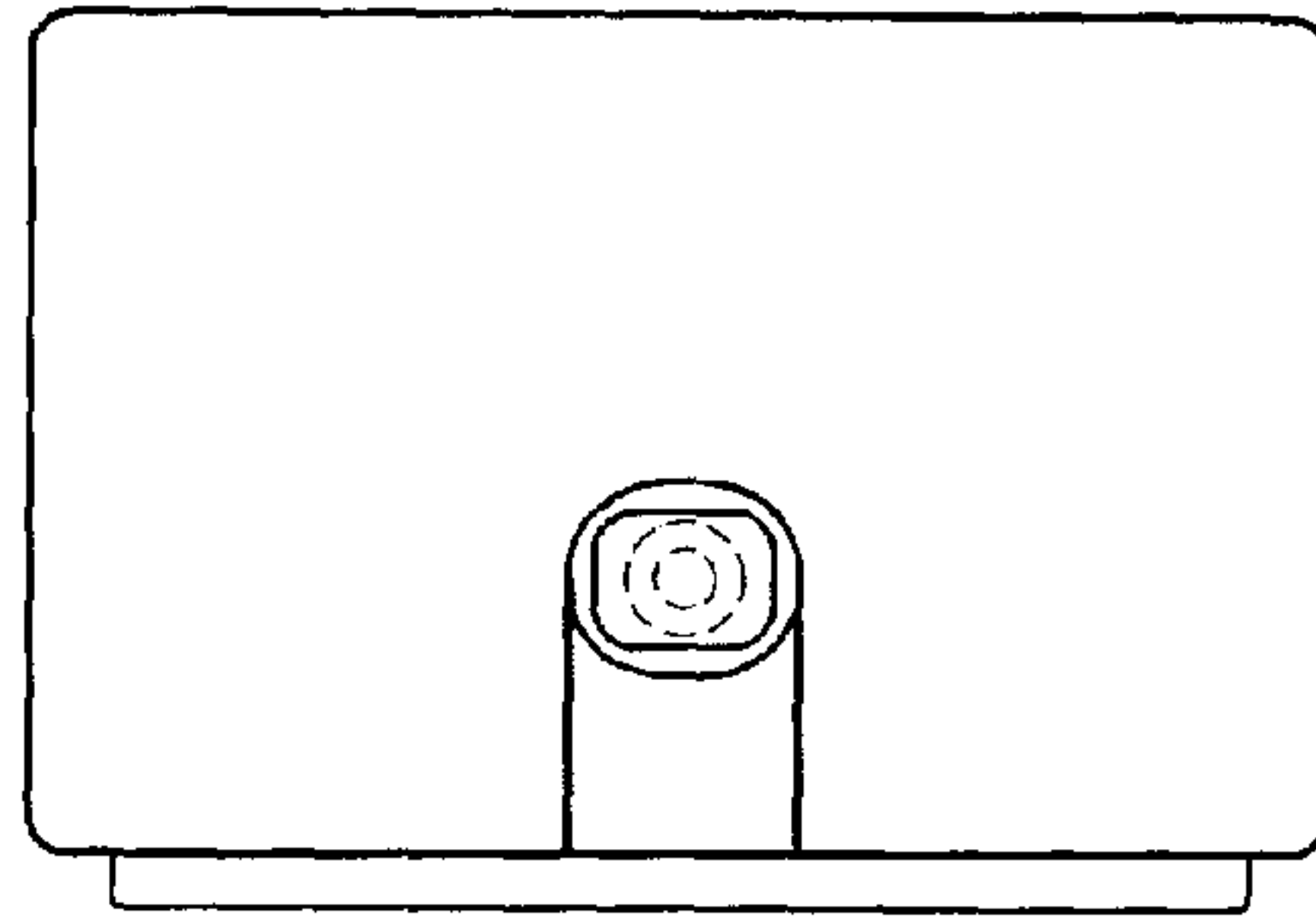


FIG. 5

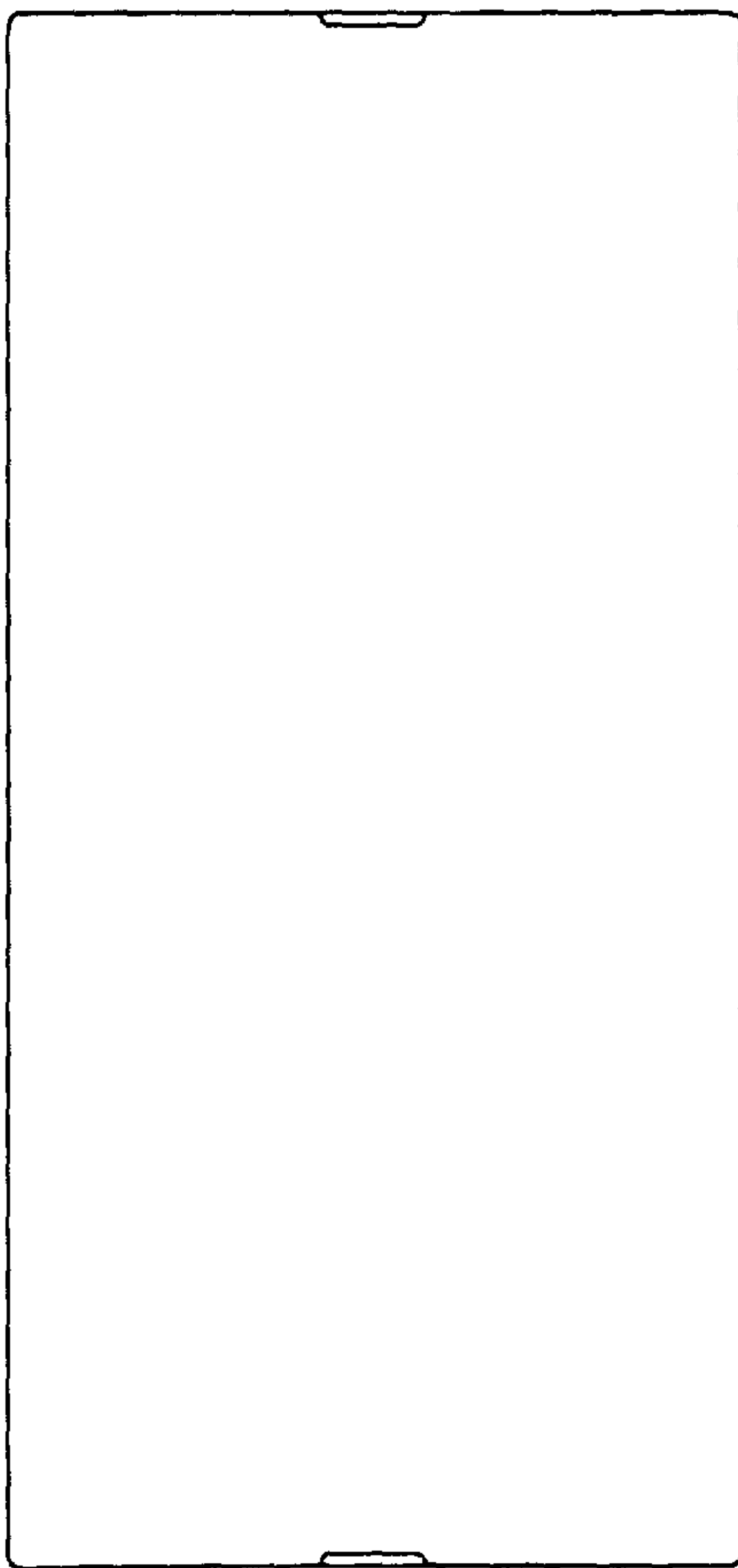


FIG. 6

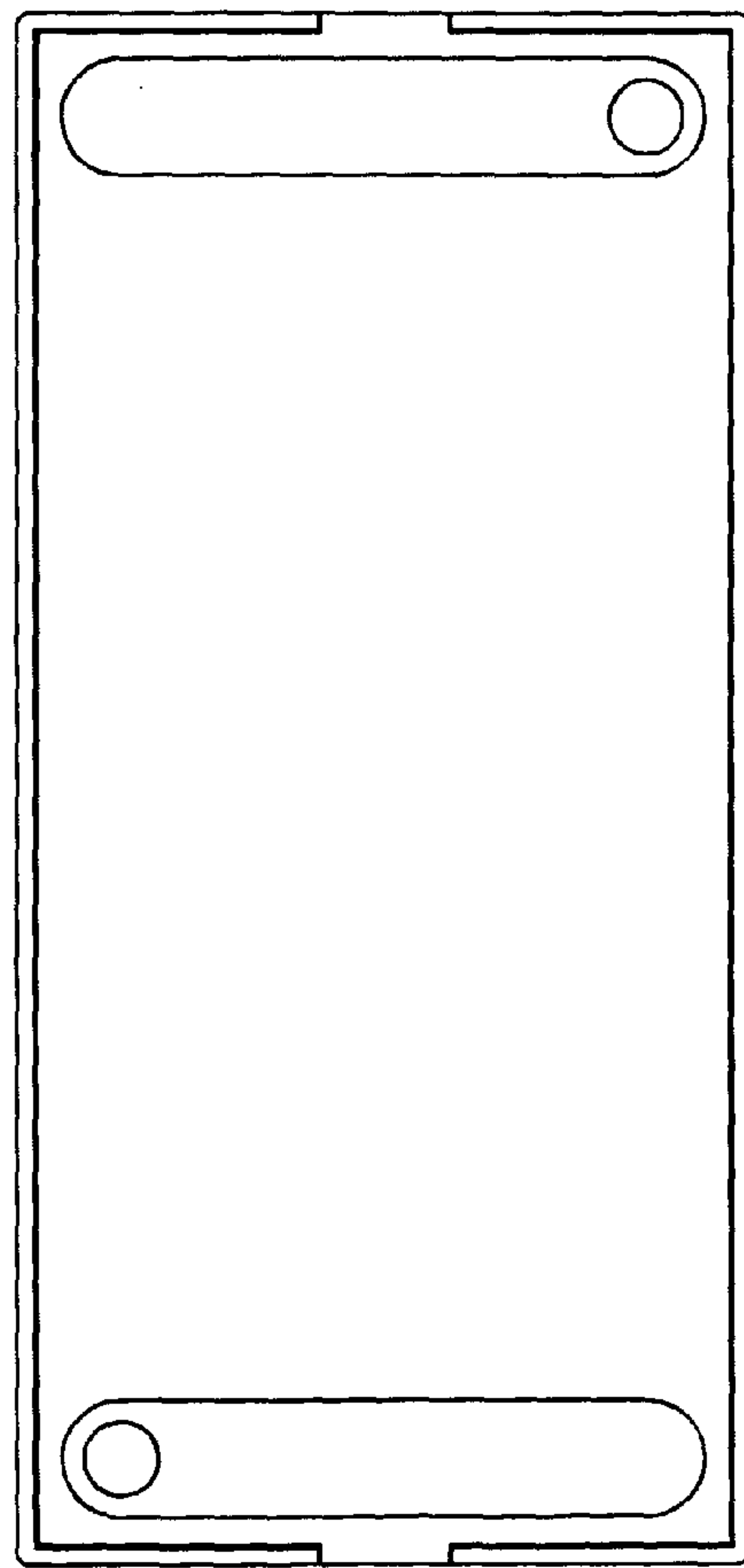


FIG. 7

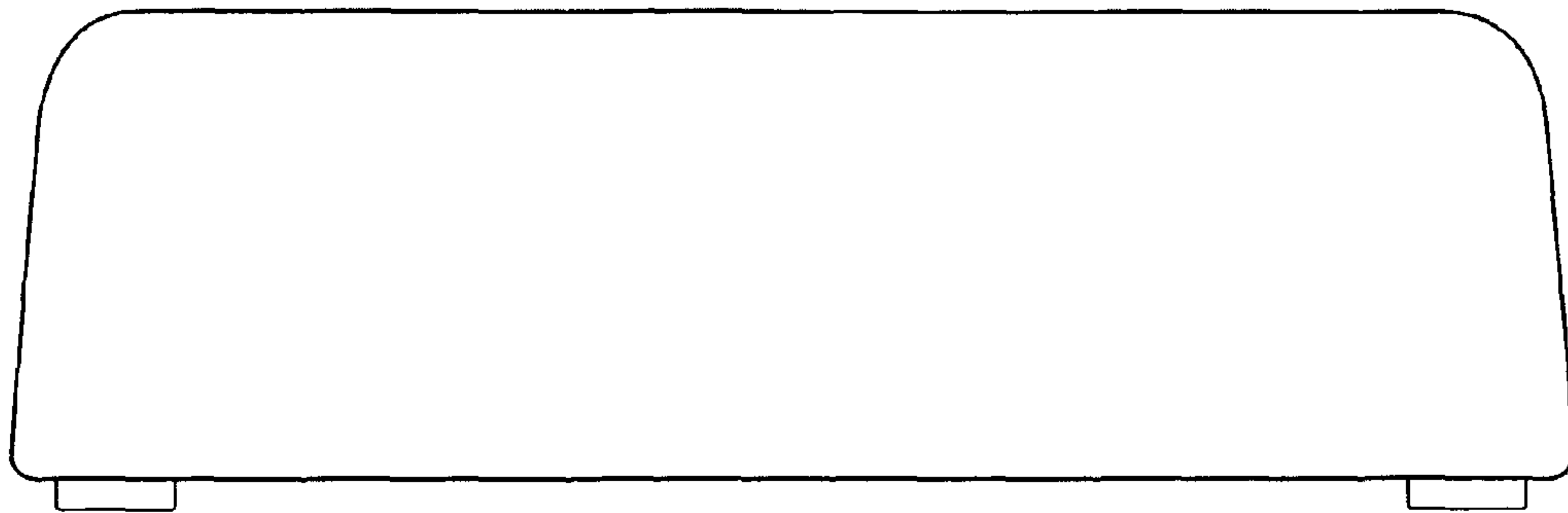


FIG. 8

