



US00D671487S

(12) **United States Design Patent**  
**Scheucher et al.**

(10) **Patent No.:** **US D671,487 S**  
(45) **Date of Patent:** **\*\* Nov. 27, 2012**

(54) **CORDLESS POWER SUPPLY**

**DESCRIPTION**

- (75) Inventors: **Karl F. Scheucher**, Waite Hill, OH (US); **Greg Guyette**, Tampa, FL (US)
- (73) Assignee: **Karl F. Scheucher**, Waite Hill, OH (US)
- (\*\*) Term: **14 Years**
- (21) Appl. No.: **29/385,381**
- (22) Filed: **Feb. 13, 2011**

**Related U.S. Application Data**

- (62) Division of application No. 29/266,852, filed on Sep. 29, 2006, now Pat. No. Des. 632,649.
- (51) **LOC (9) Cl.** ..... **13-02**
- (52) **U.S. Cl.** ..... **D13/110**
- (58) **Field of Classification Search** ..... D13/110, D13/101, 102, 103, 107, 108, 118, 119, 123, D13/184, 199; 307/62, 82, 109, 150, 151; 320/104, 107, 111, 112, 113, 115, 132, 134, 320/150; 361/600, 601, 623; 429/96, 97, 429/98, 99, 100, 163, 170, 176  
See application file for complete search history.

(56) **References Cited**

**U.S. PATENT DOCUMENTS**

D210,731 S *	4/1968	Siegel .....	D13/110
D414,460 S *	9/1999	Hughes .....	D13/110
D423,452 S *	4/2000	Fujisawa et al. ....	D13/110
D425,017 S *	5/2000	Leung .....	D13/110
6,191,560 B1 *	2/2001	Sakakibara .....	320/150
D481,672 S *	11/2003	Niwa et al. ....	D13/103
D484,458 S *	12/2003	Garvis et al. ....	D13/103
D490,051 S *	5/2004	Kikumoto .....	D13/102

\* cited by examiner

*Primary Examiner* — Derrick Holland

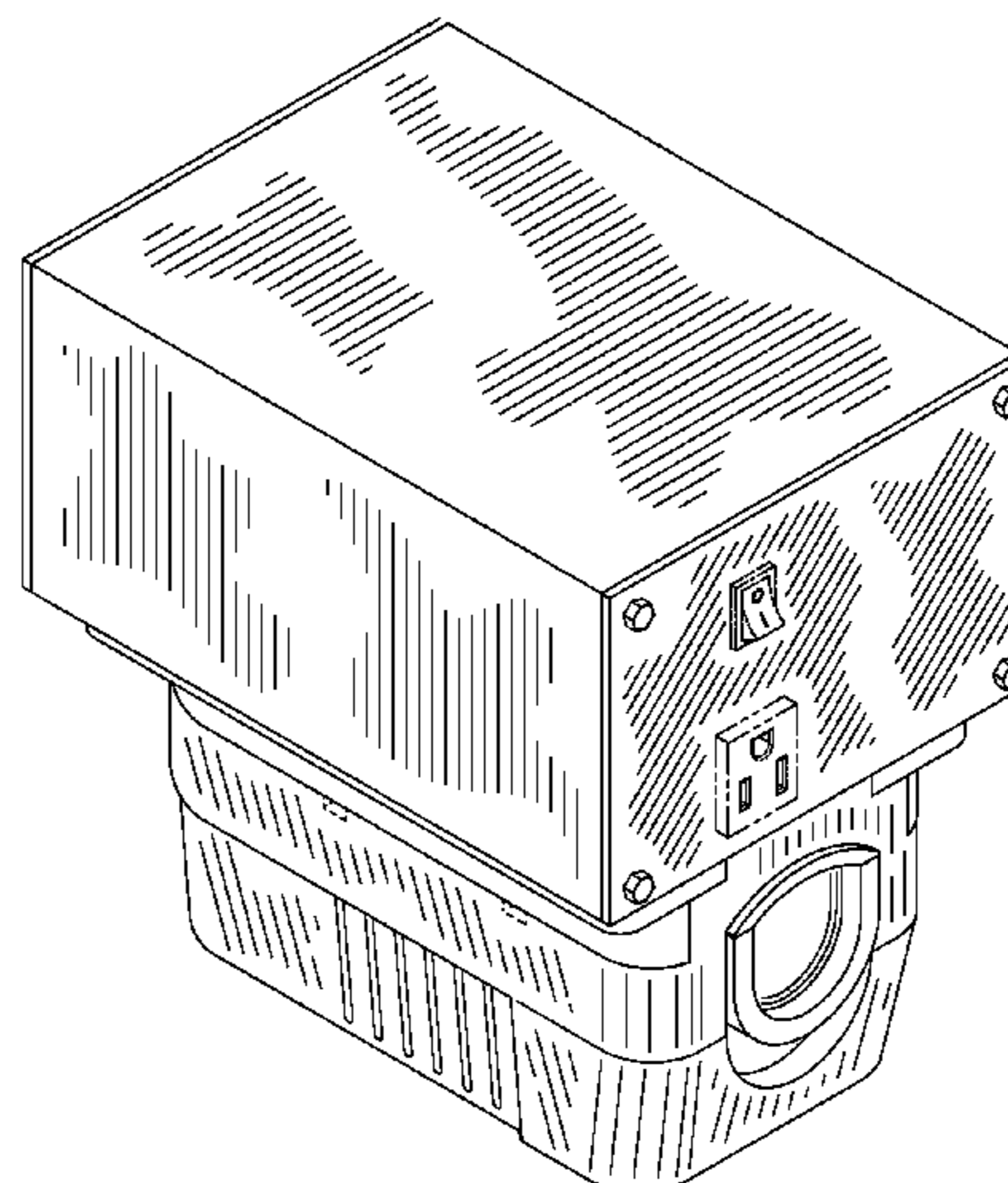
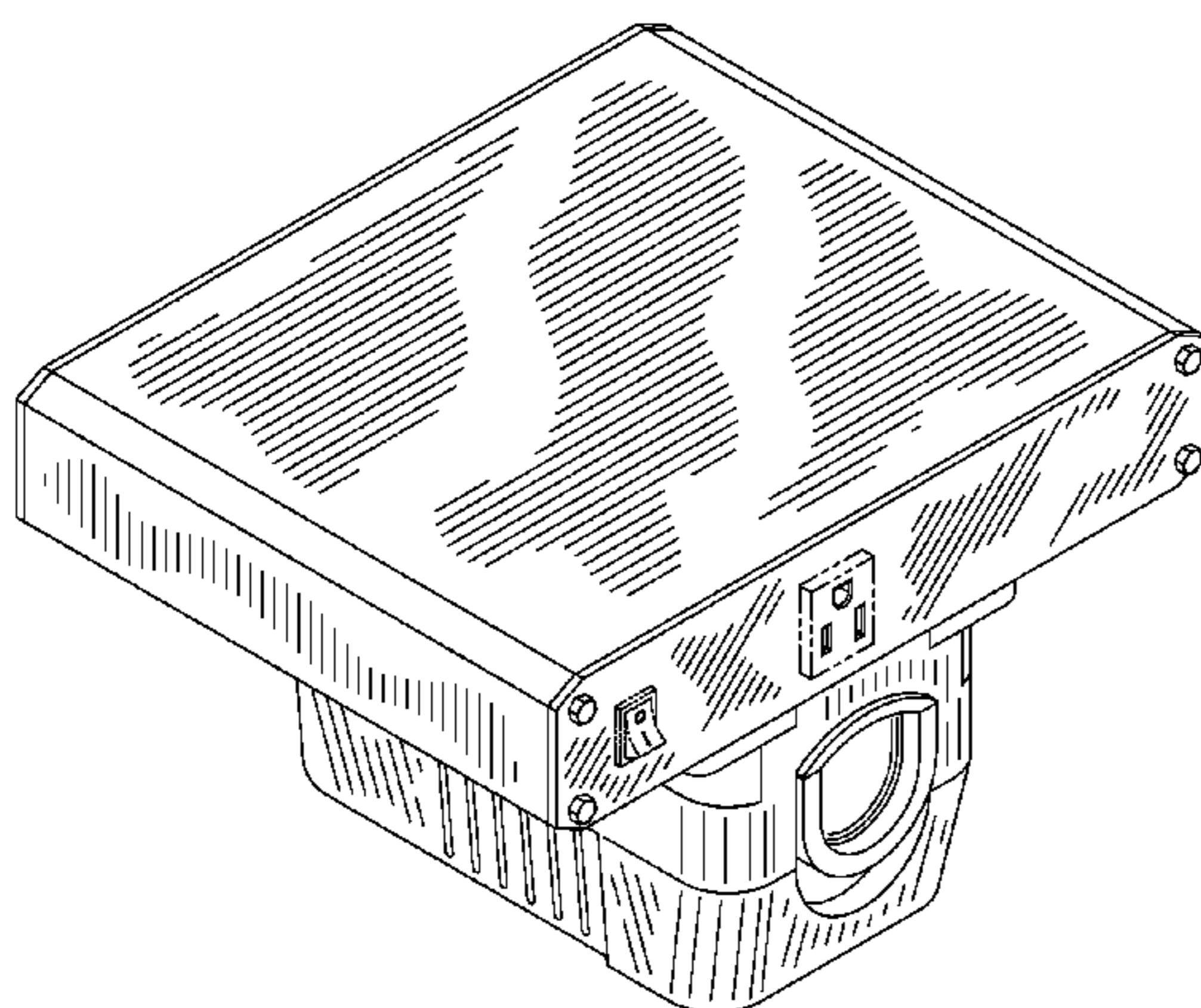
(74) *Attorney, Agent, or Firm* — Woodling, Krost and Rust

(57) **CLAIM**

The ornamental design for a cordless power supply, as shown and described.

FIG. 1 is a front perspective view of a cordless power supply showing our new design;  
 FIG. 2 is a left side elevation view thereof;  
 FIG. 3 is a right side elevation view thereof;  
 FIG. 4 is a top plan view thereof;  
 FIG. 5 is a bottom plan view thereof;  
 FIG. 6 is a front elevation view thereof;  
 FIG. 7 is a rear elevation view thereof;  
 FIG. 8 is a front perspective view of a second embodiment of a cordless power supply showing our new design;  
 FIG. 9 is a left side elevation view thereof;  
 FIG. 10 is a right side elevation view thereof;  
 FIG. 11 is a top plan view thereof;  
 FIG. 12 is a bottom plan view thereof;  
 FIG. 13 is a front elevation view thereof;  
 FIG. 14 is a rear elevation view thereof;  
 FIG. 15 is a front perspective view of a third embodiment of a cordless power supply showing our new design;  
 FIG. 16 is a left side elevation view thereof;  
 FIG. 17 is a right side elevation view thereof;  
 FIG. 18 is a top plan view thereof;  
 FIG. 19 is a bottom plan view thereof;  
 FIG. 20 is a front elevation view thereof;  
 FIG. 21 is a rear elevation view thereof;  
 FIG. 22 is a front perspective view of a fourth embodiment of a cordless power supply showing our new design;  
 FIG. 23 is a left side elevation view thereof;  
 FIG. 24 is a right side elevation view thereof;  
 FIG. 25 is a top plan view thereof;  
 FIG. 26 is a bottom plan view thereof;  
 FIG. 27 is a front elevation view thereof;  
 FIG. 28 is a rear elevation view thereof;  
 FIG. 29 is a front perspective view of a fifth embodiment of a cordless power supply showing our new design;  
 FIG. 30 is a left side elevation view thereof;  
 FIG. 31 is a right side elevation view thereof;  
 FIG. 32 is a top plan view thereof;  
 FIG. 33 is a bottom plan view thereof;  
 FIG. 34 is a front elevation view thereof; and,  
 FIG. 35 is a rear elevation view thereof.  
 The broken lines shown represent unclaimed subject matter and form no part of the claimed design.

**1 Claim, 20 Drawing Sheets**



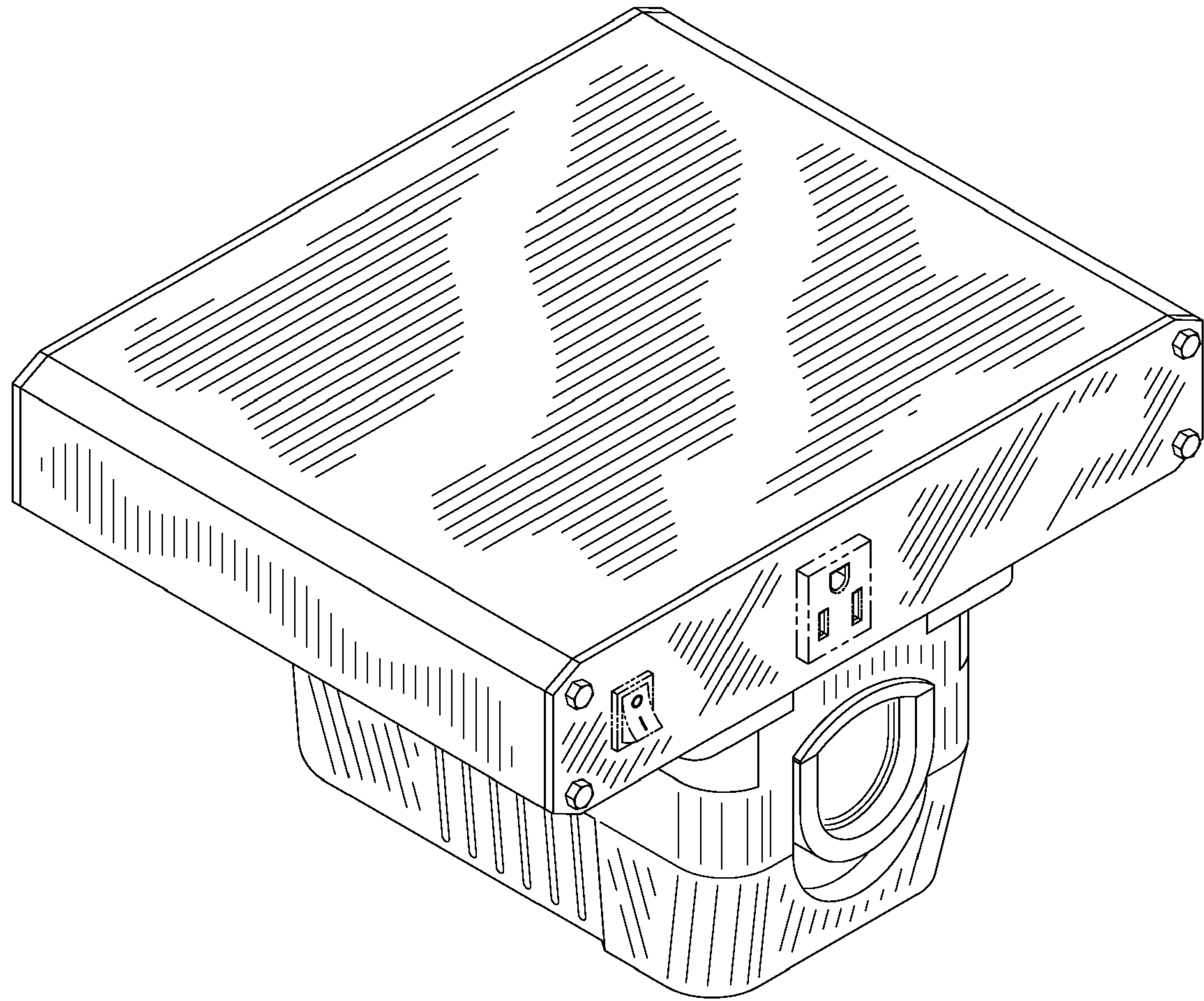


FIG. 1

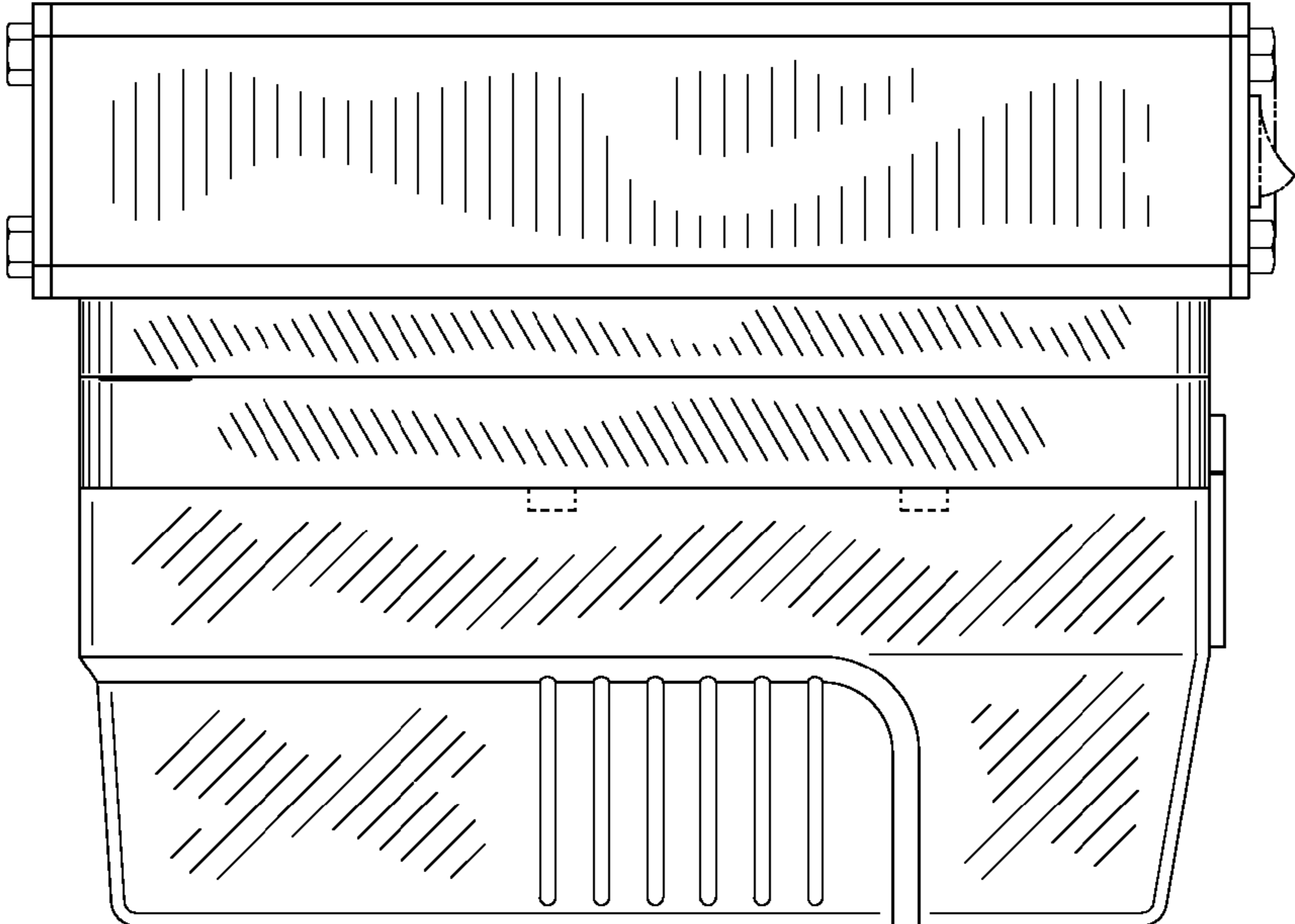


FIG. 2

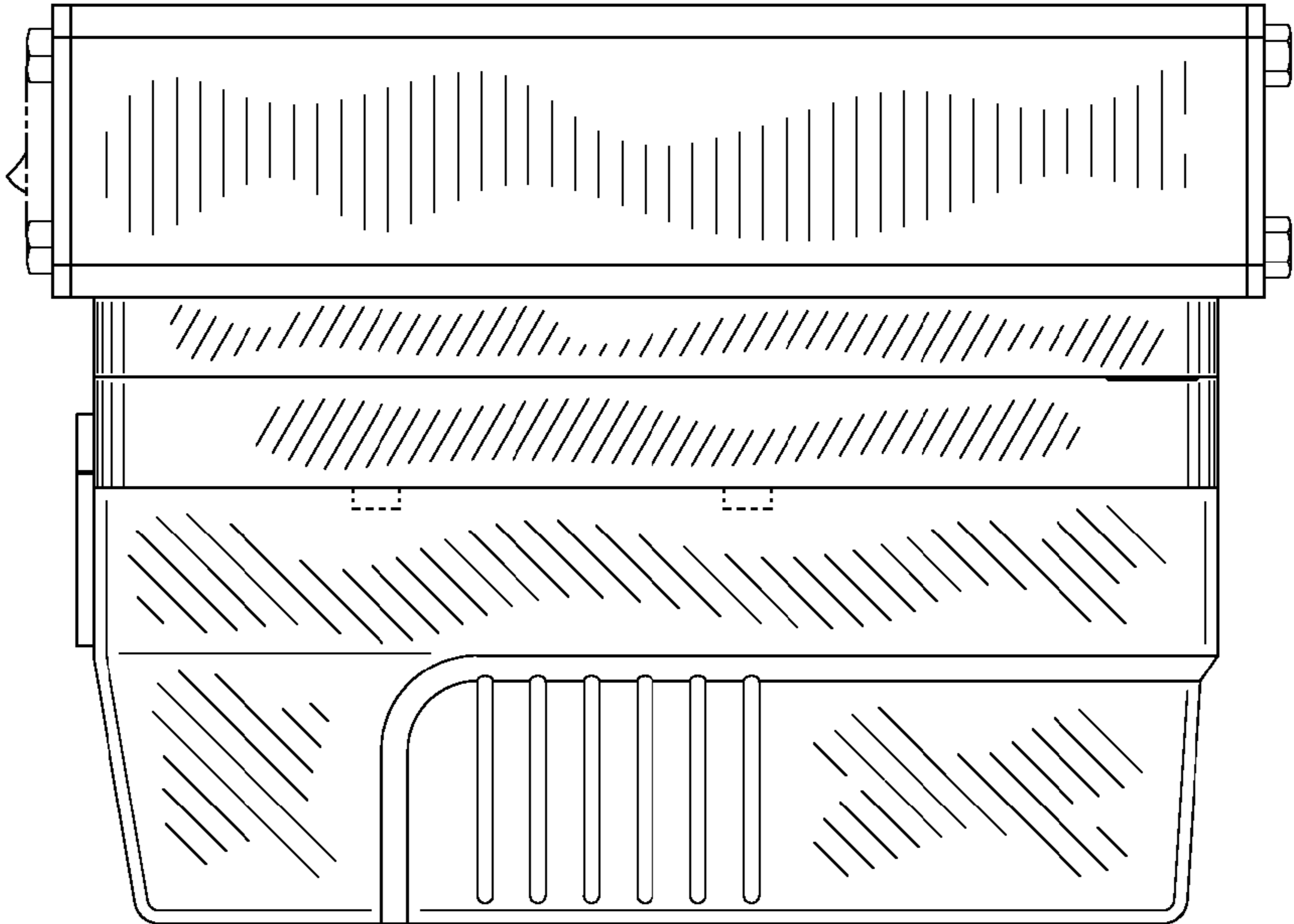


FIG. 3



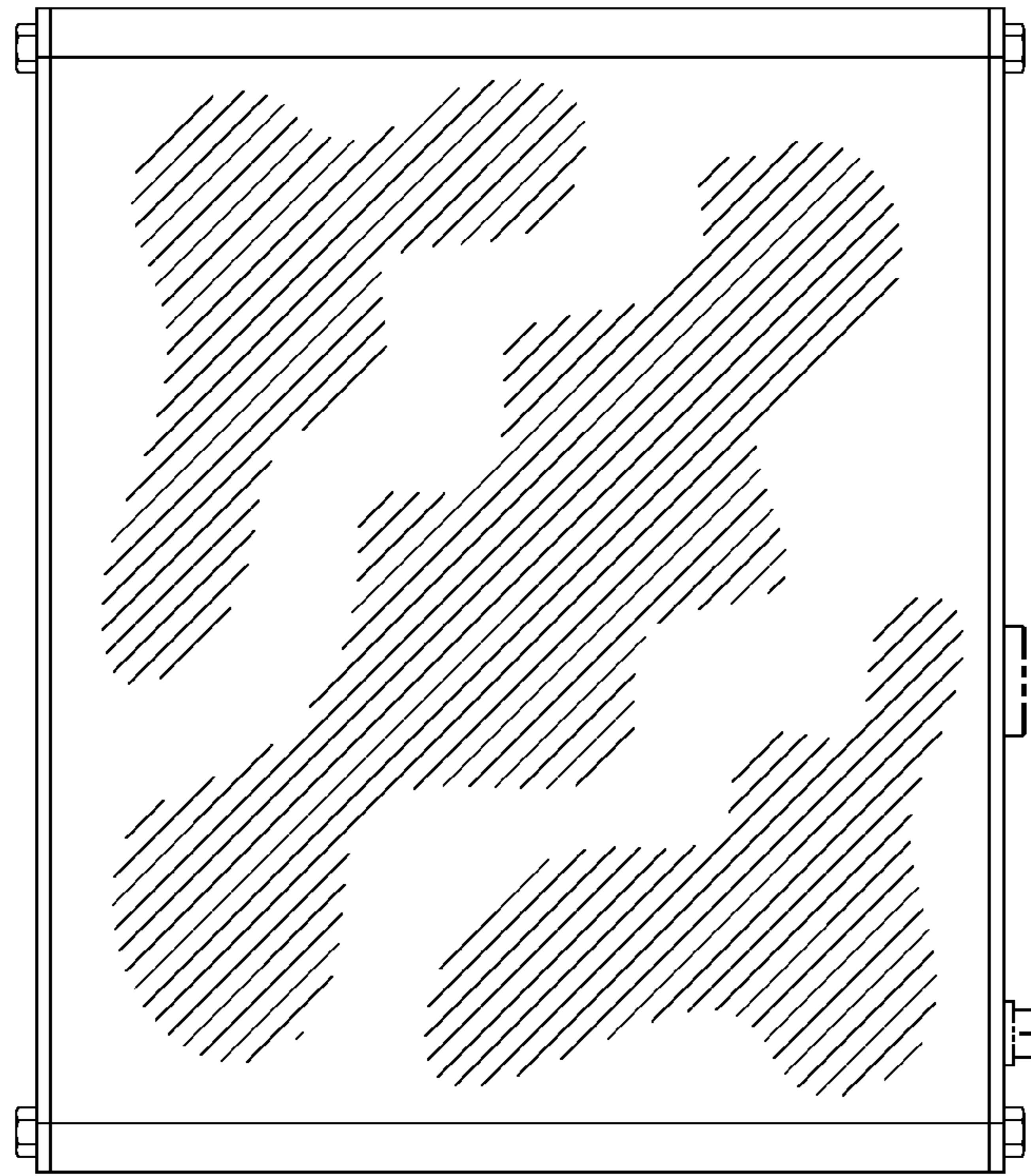


FIG. 4

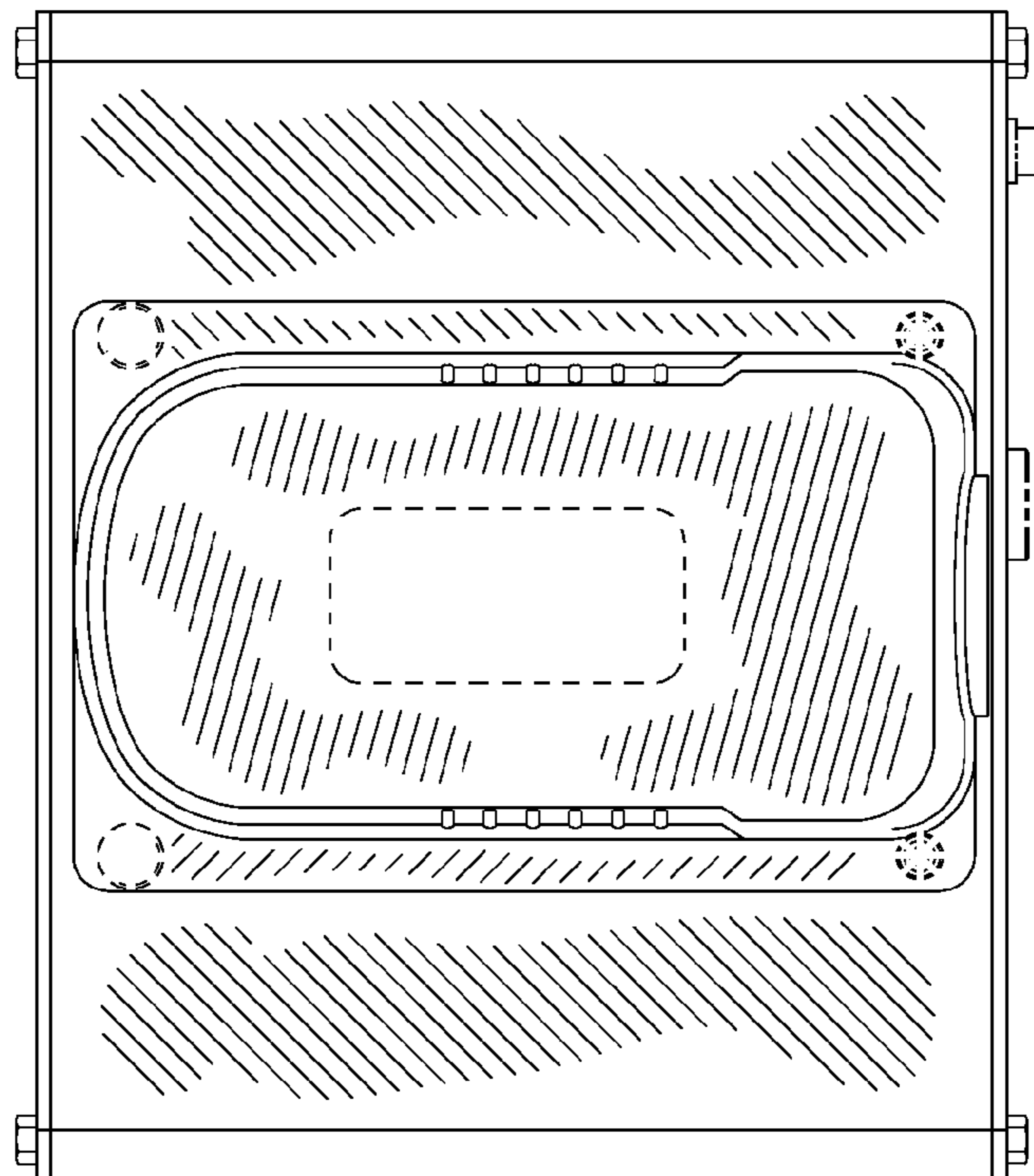


FIG. 5

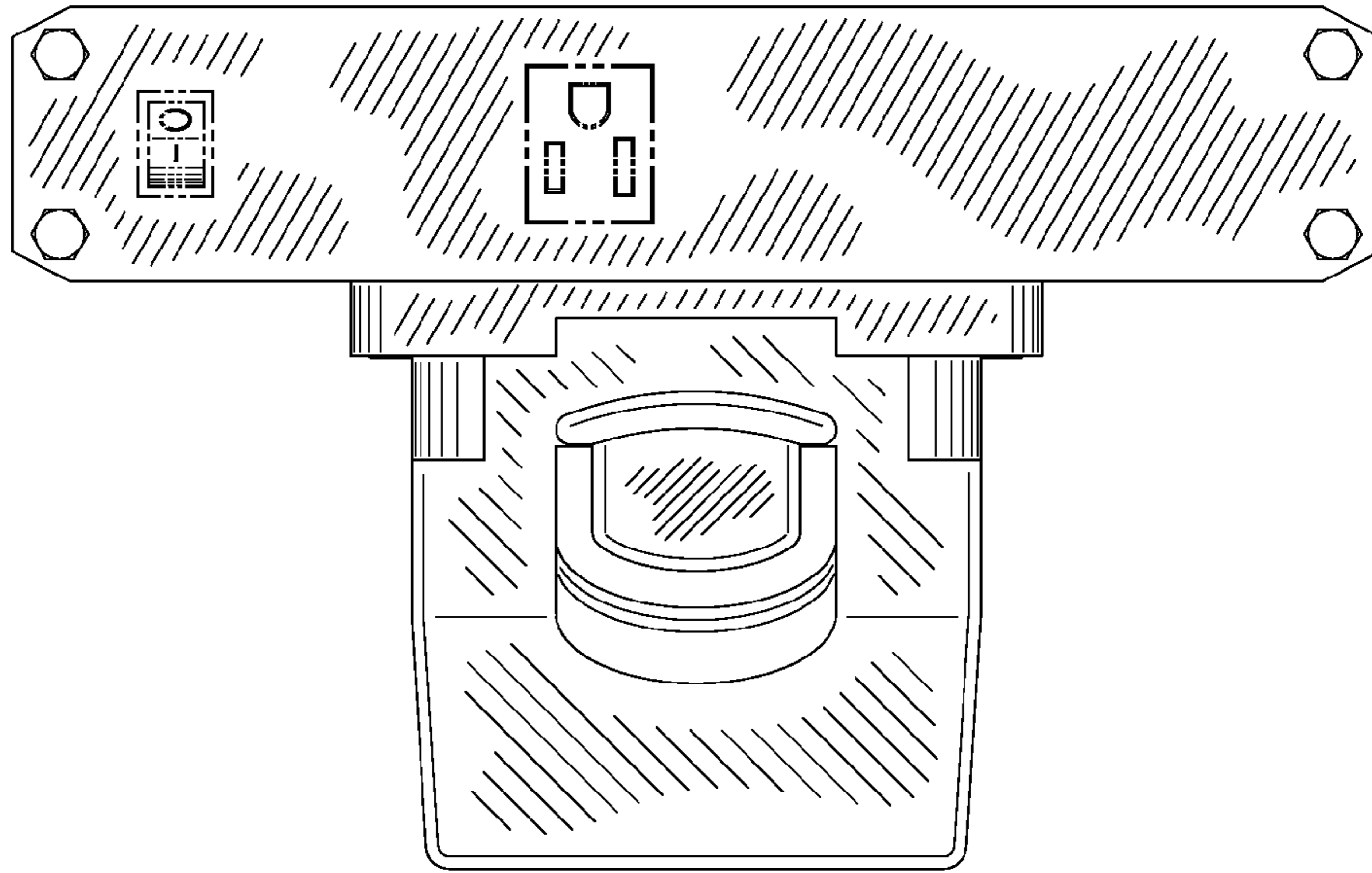


FIG. 6

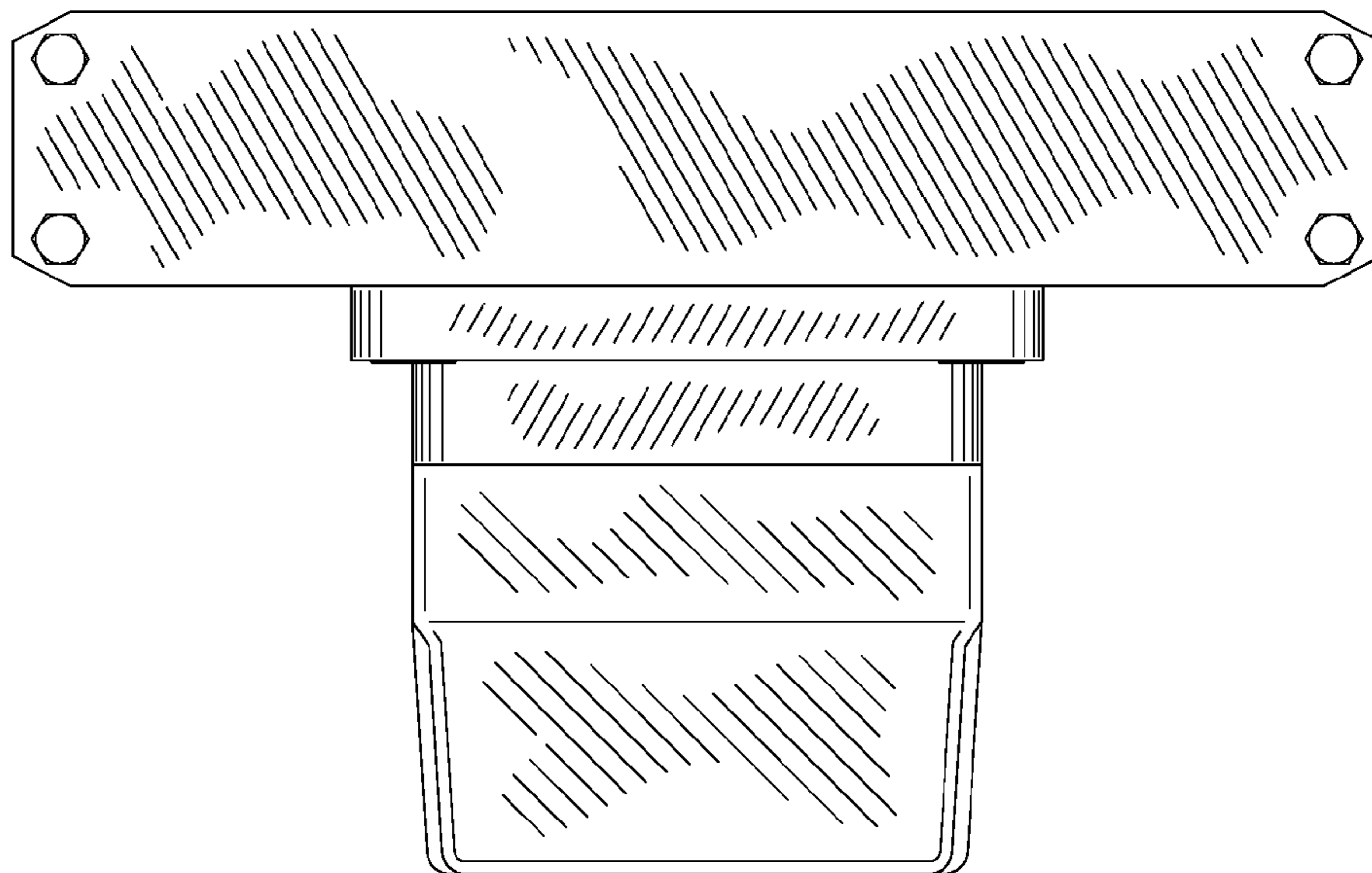


FIG. 7

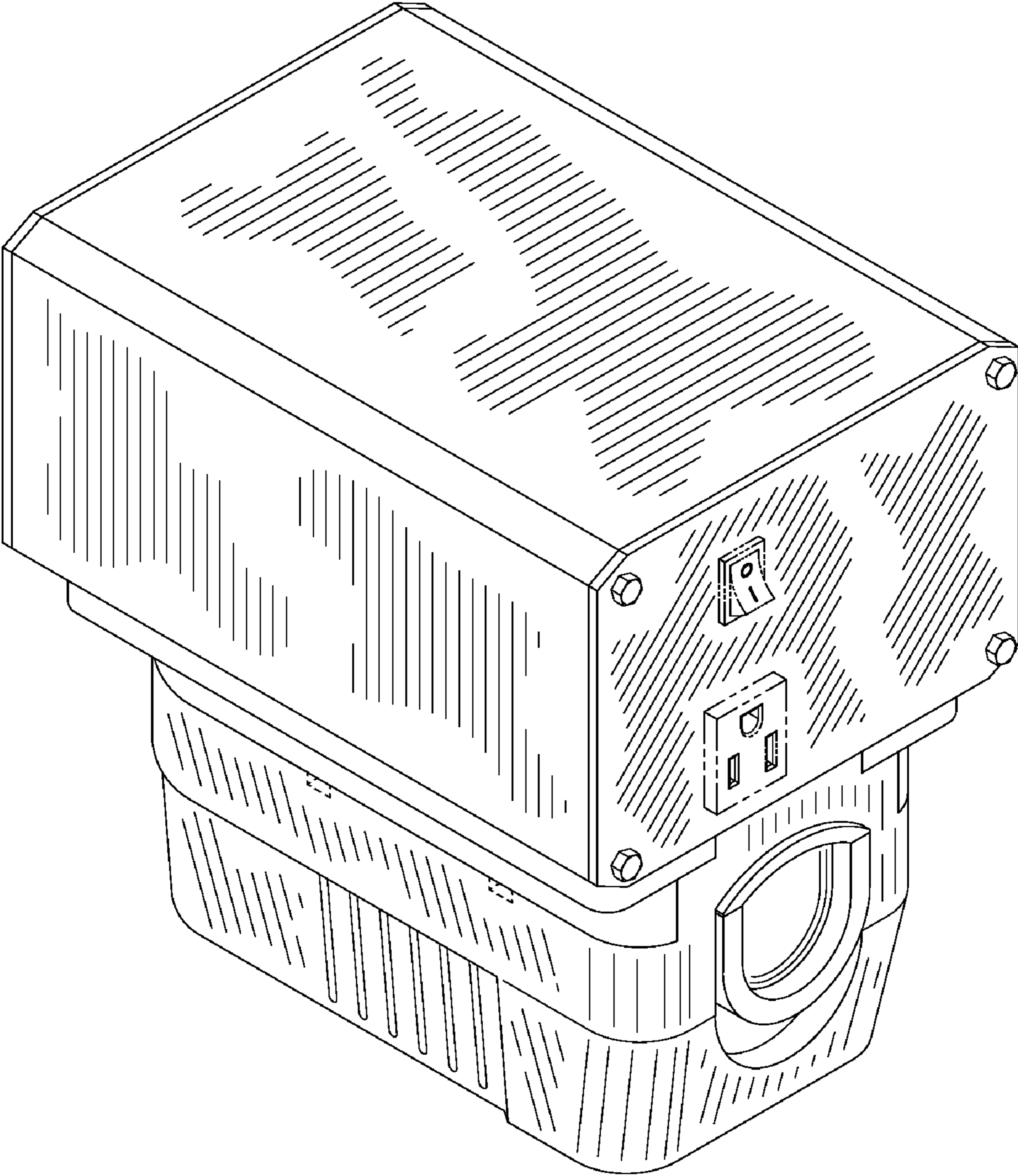


FIG. 8

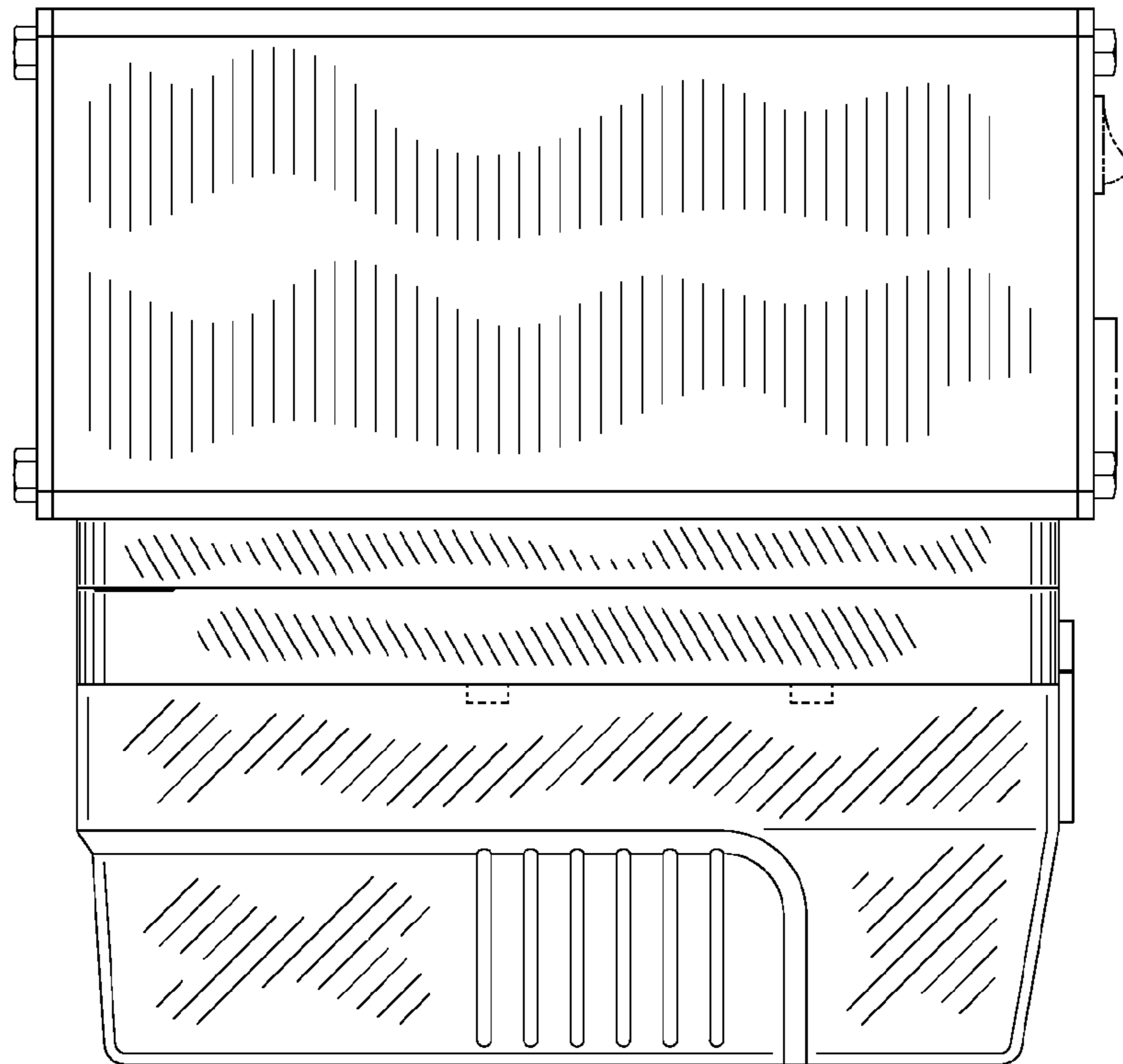


FIG. 9

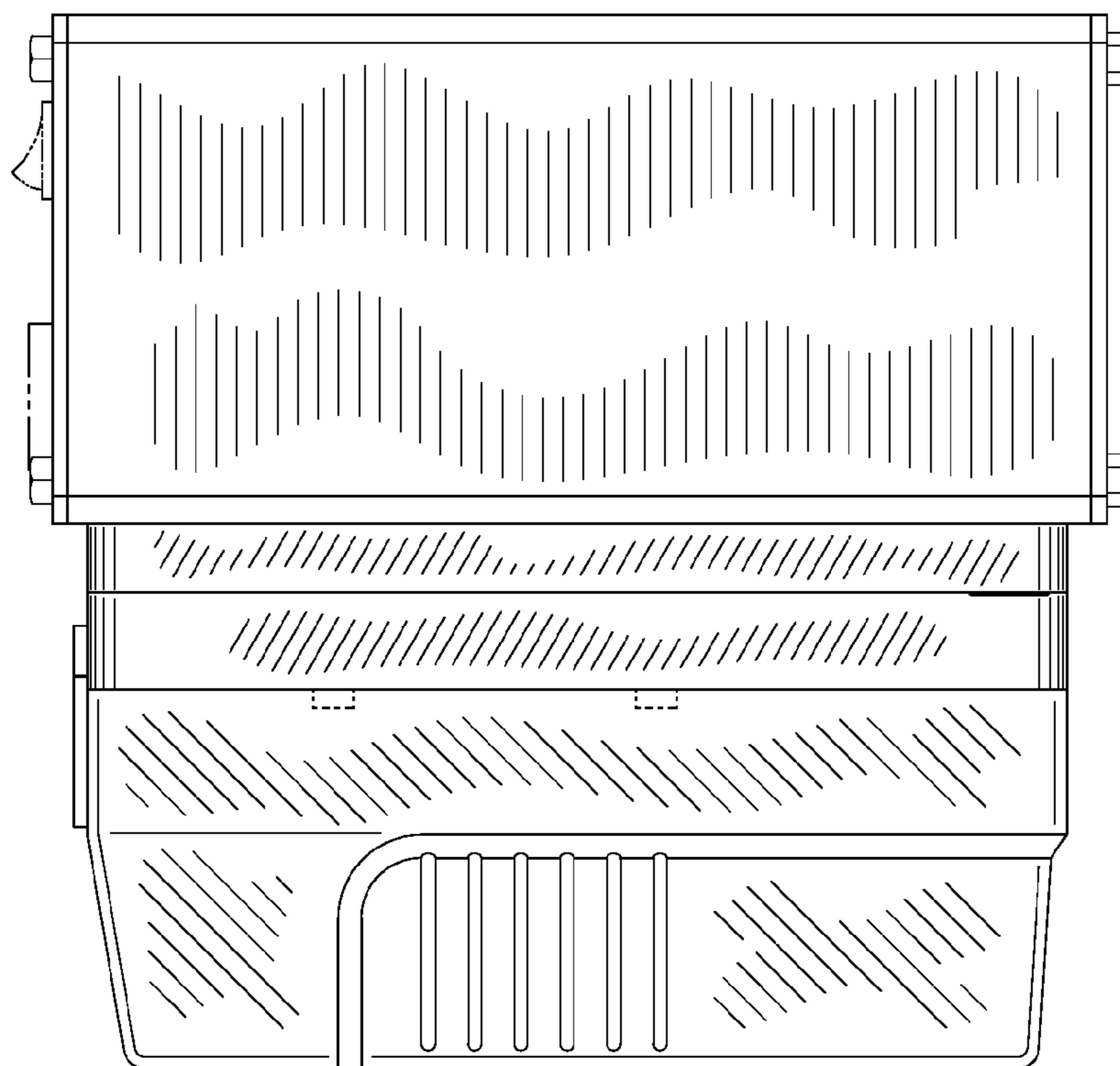


FIG. 10



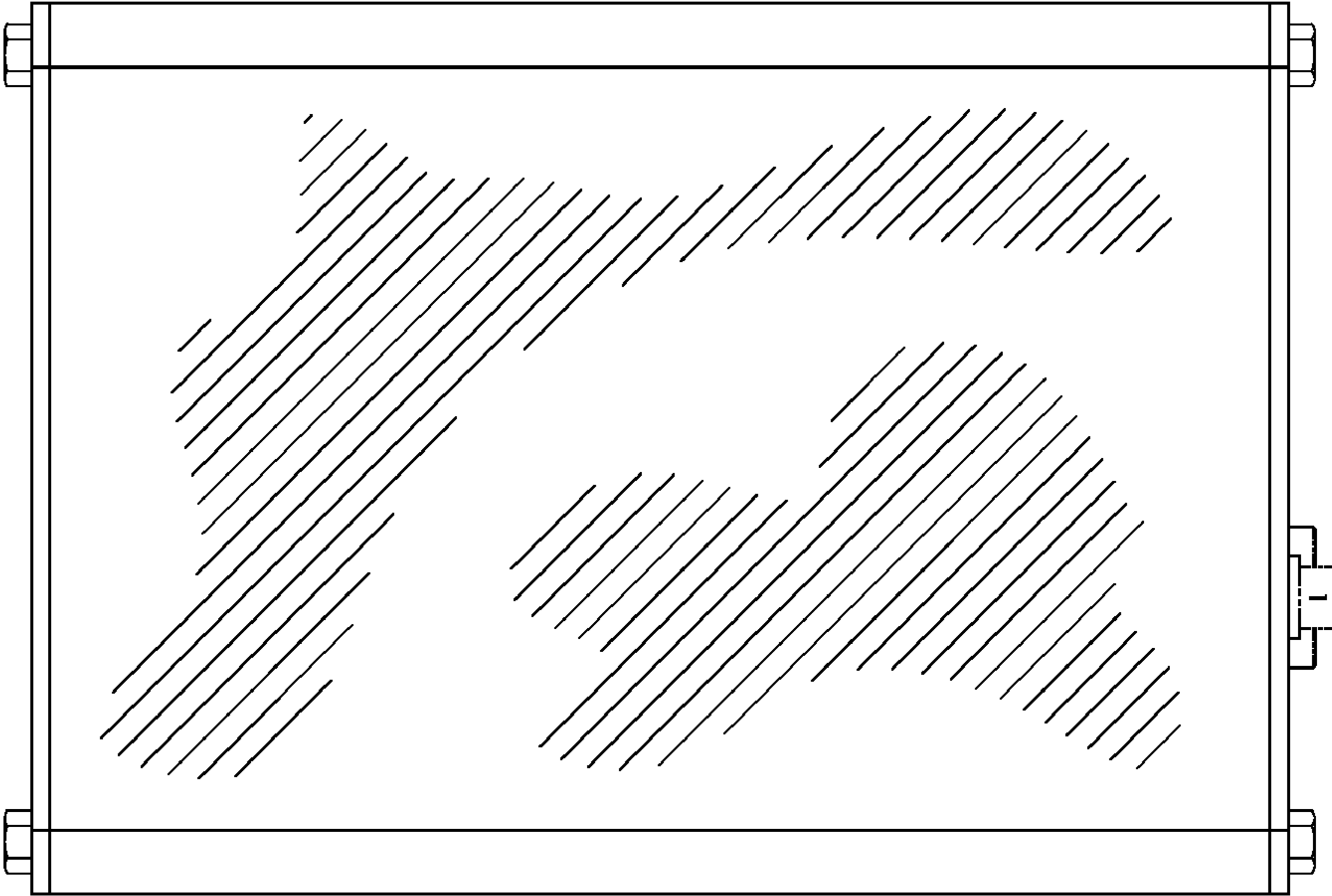


FIG. 11

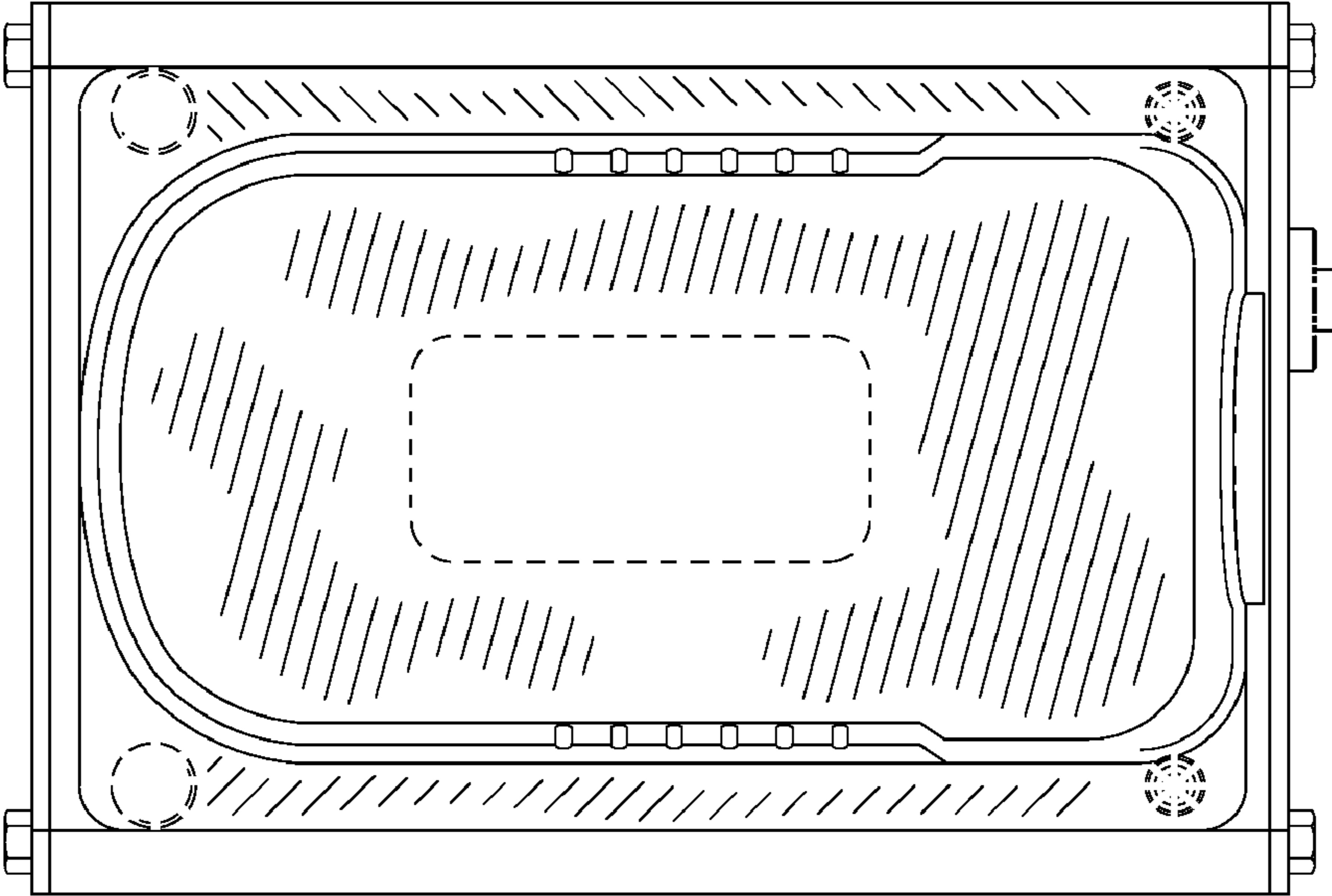


FIG. 12



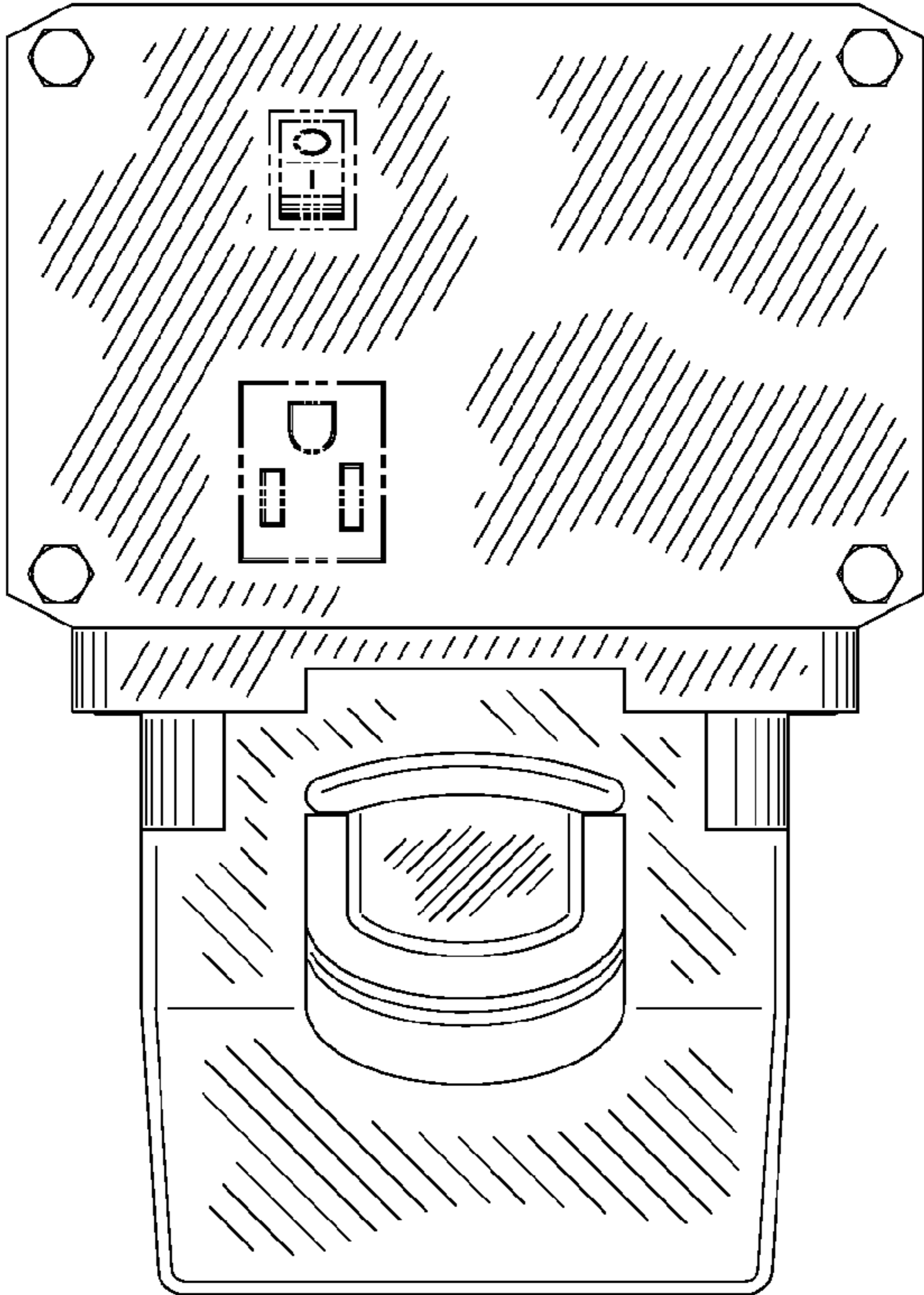


FIG. 13

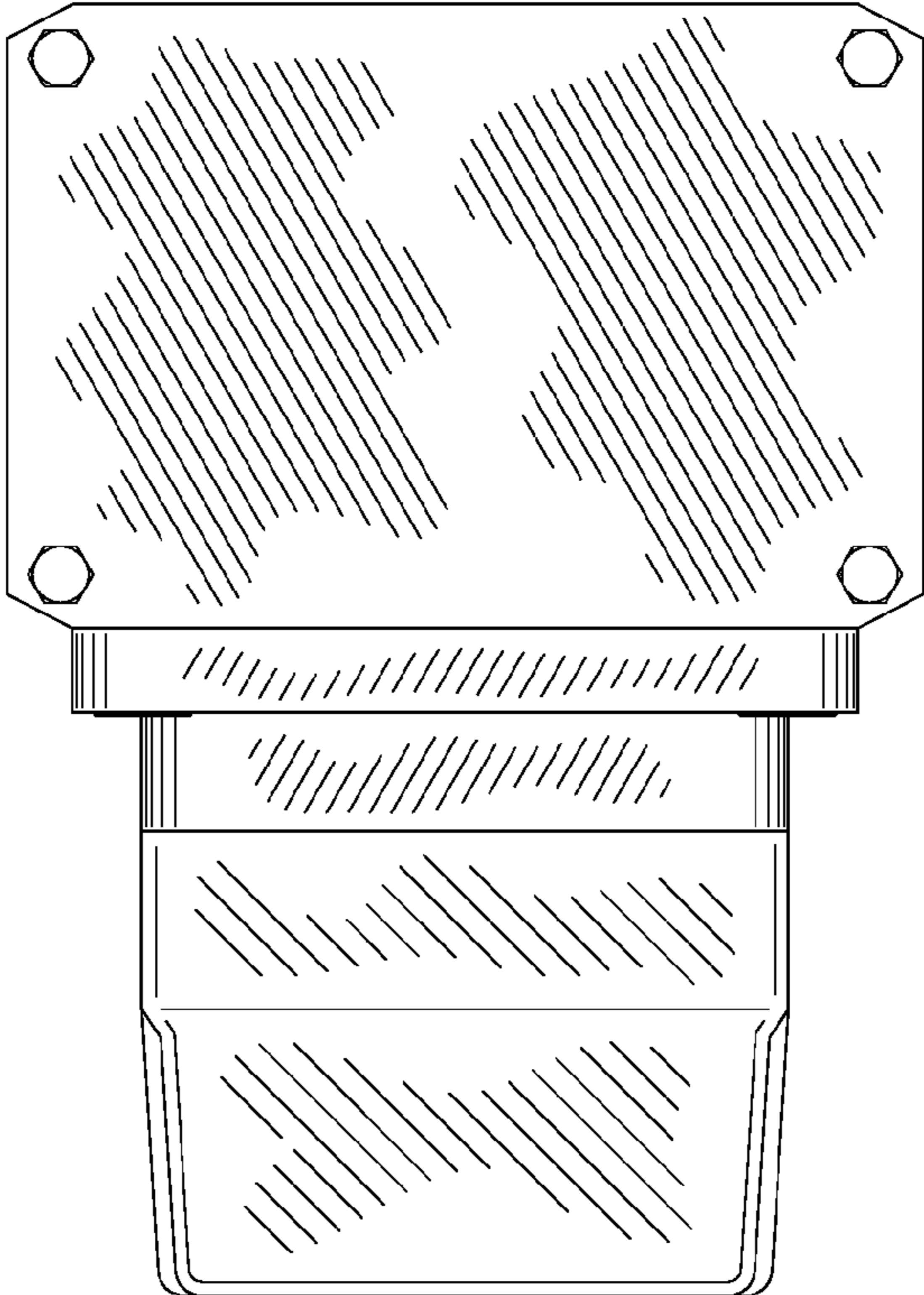


FIG. 14

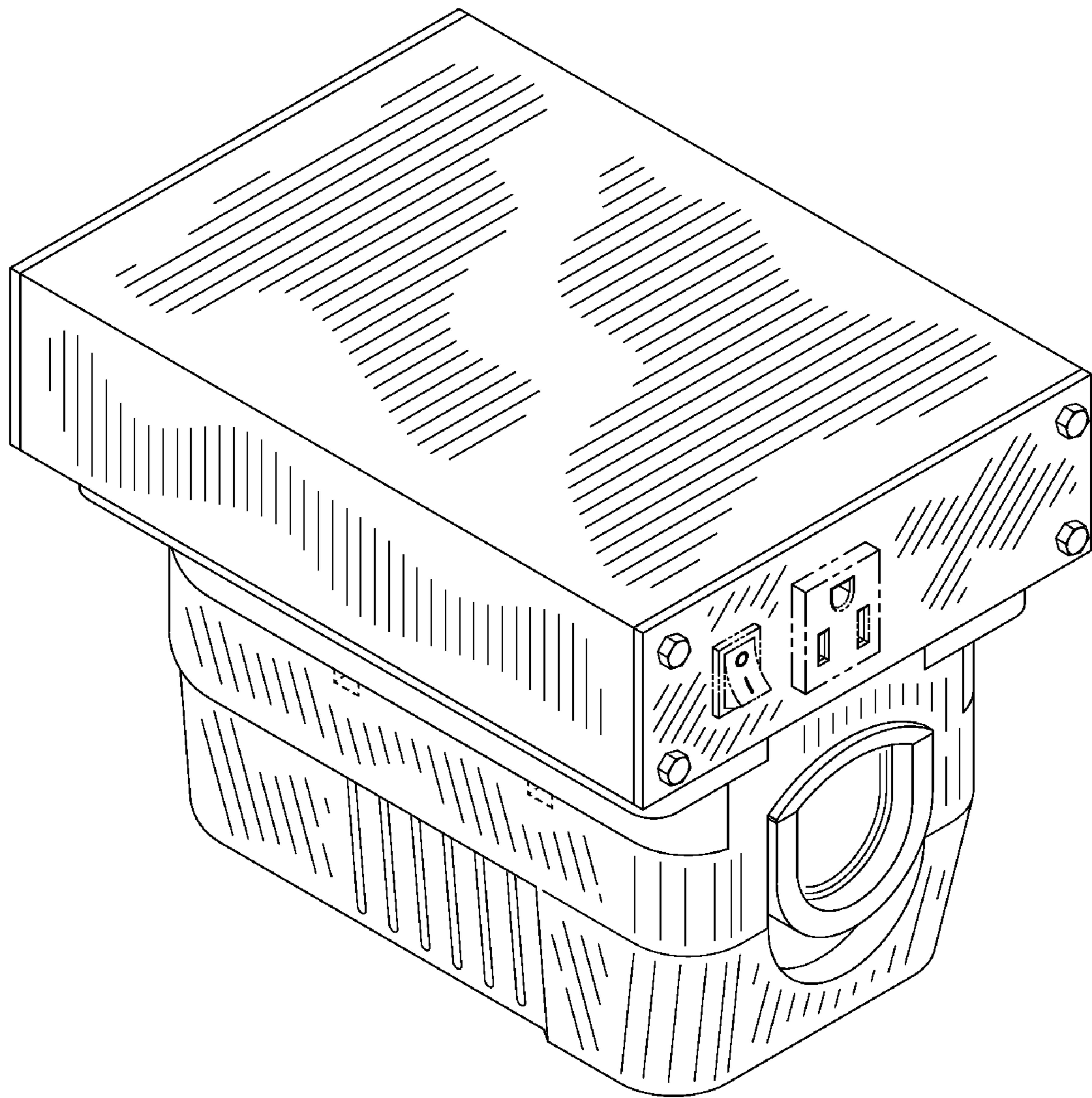


FIG. 15

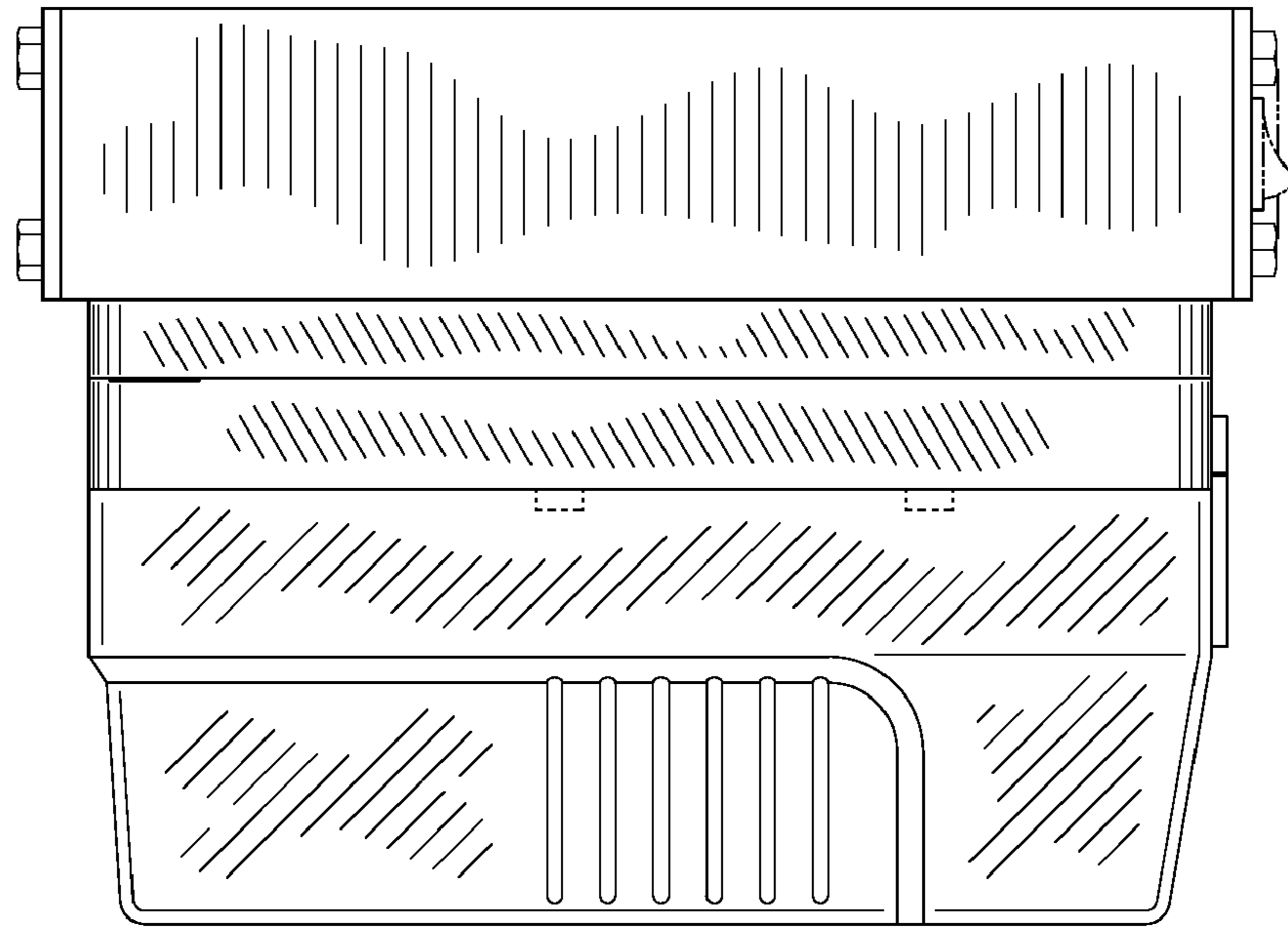


FIG. 16

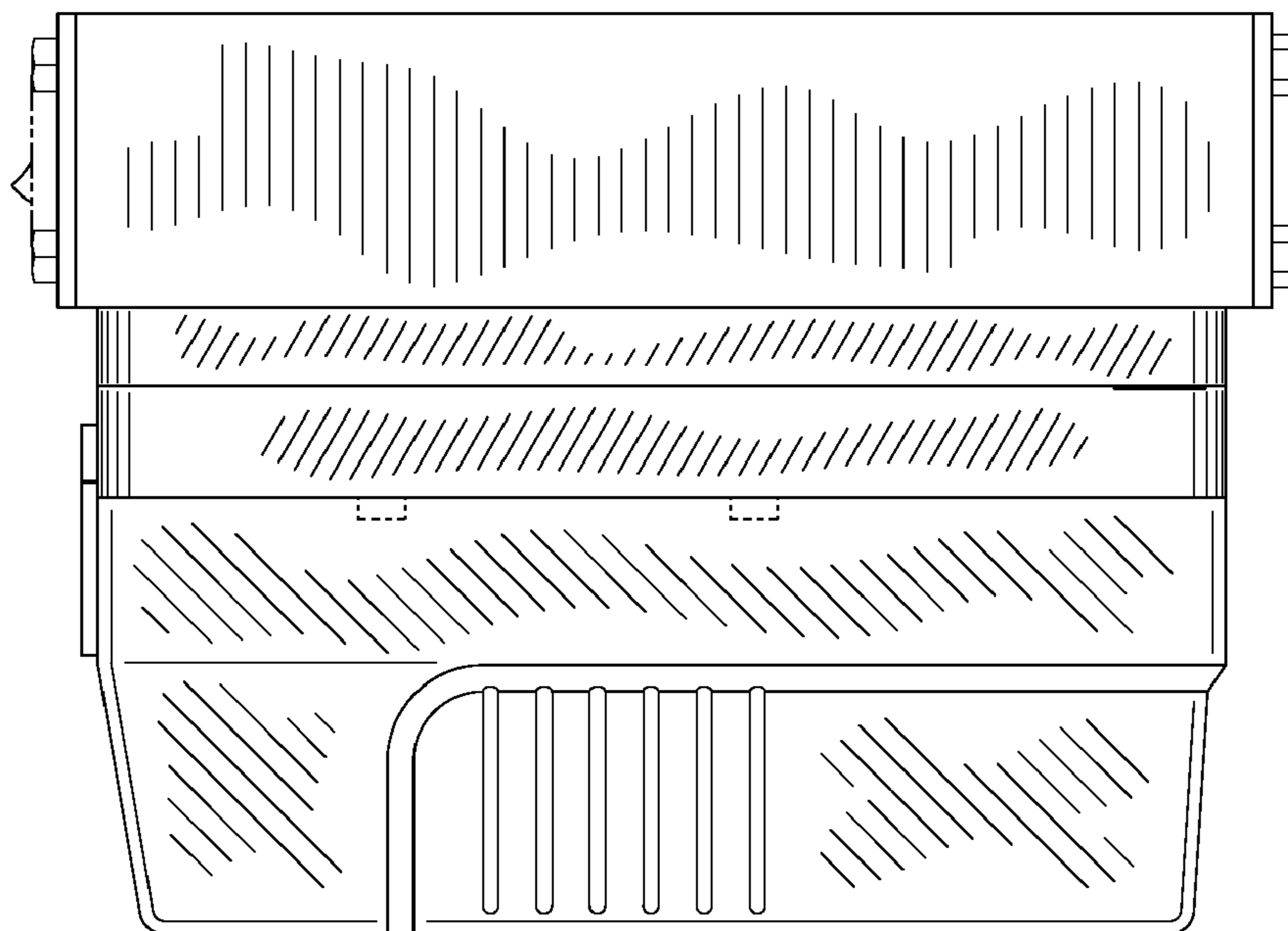


FIG. 17



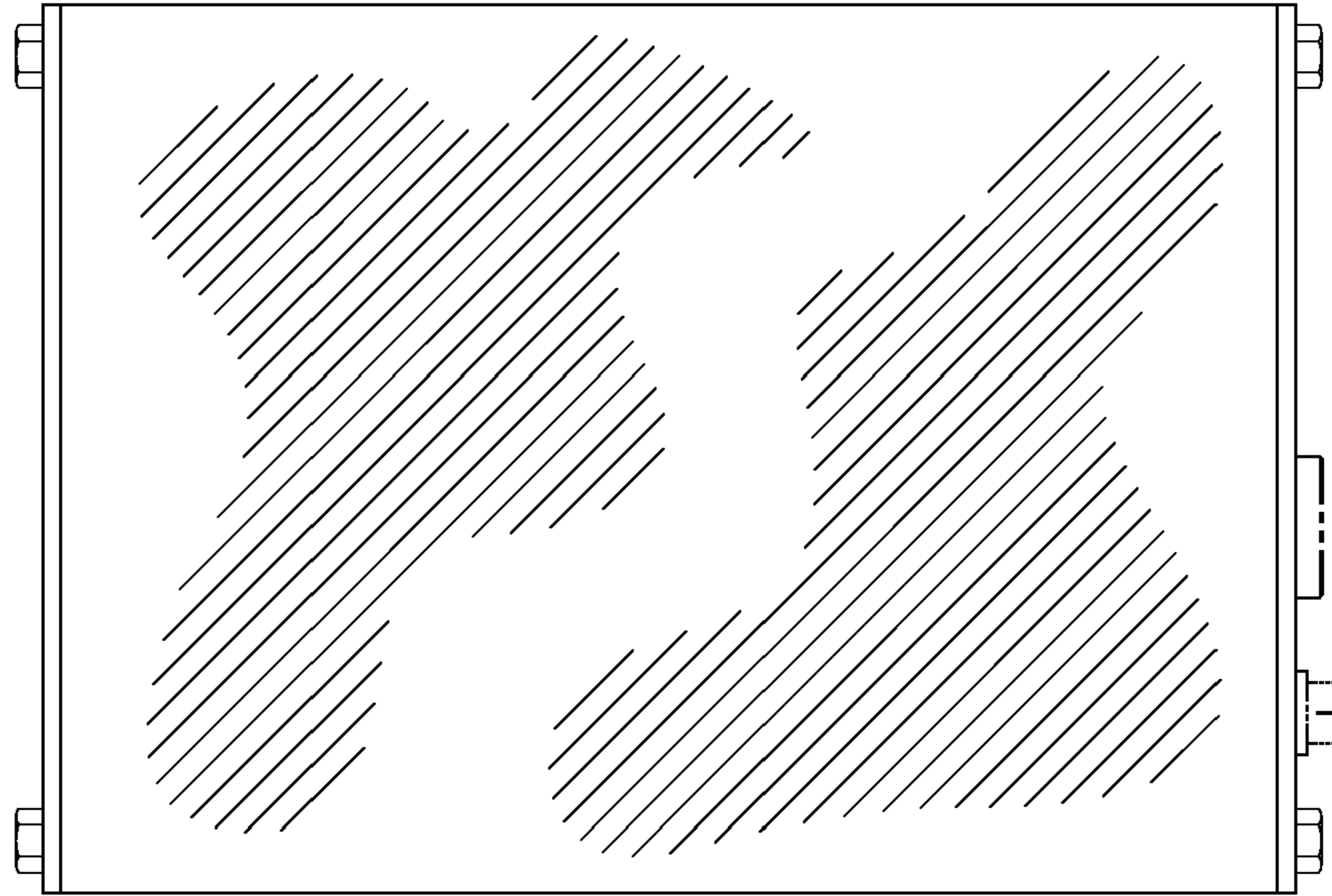


FIG. 18

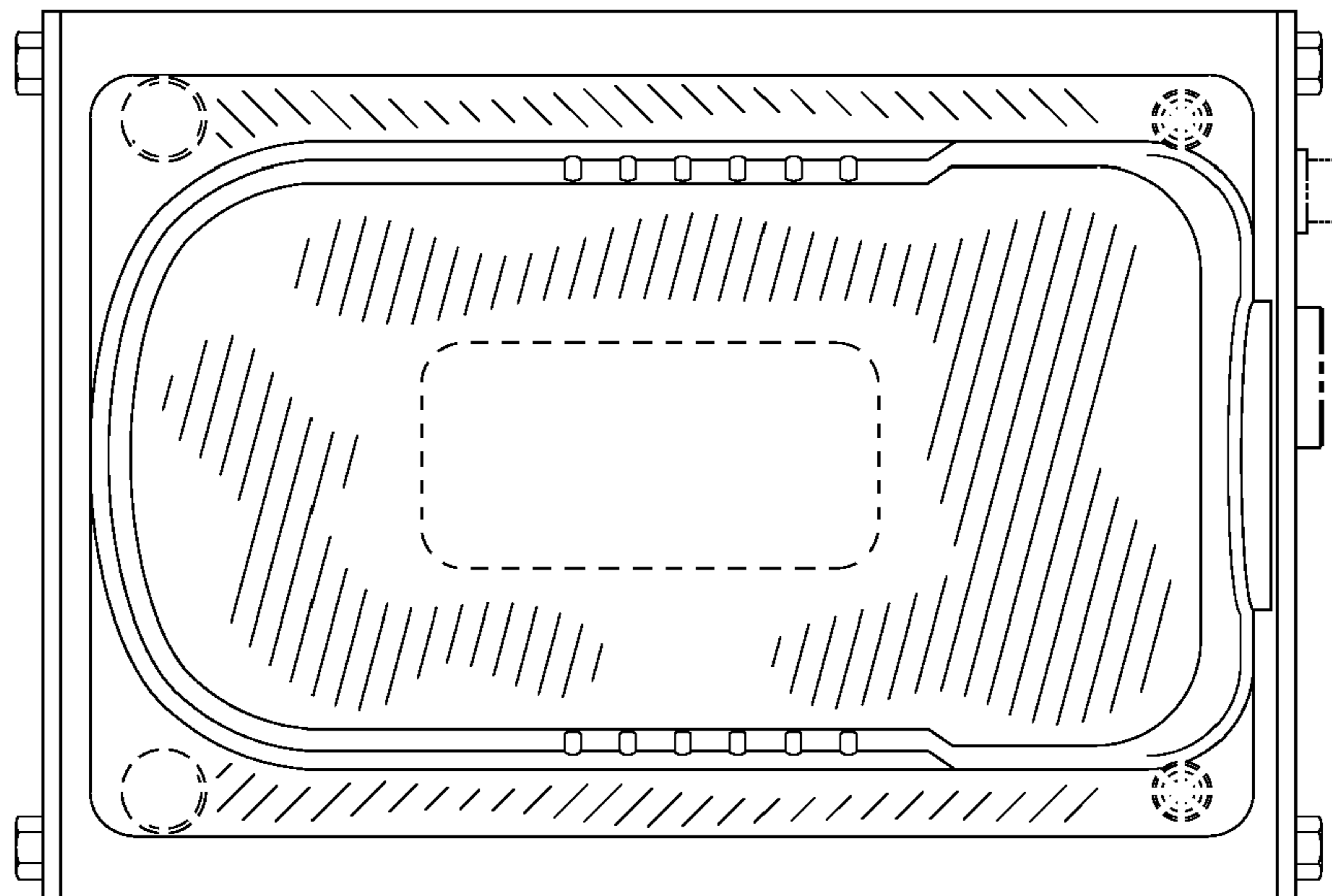


FIG. 19

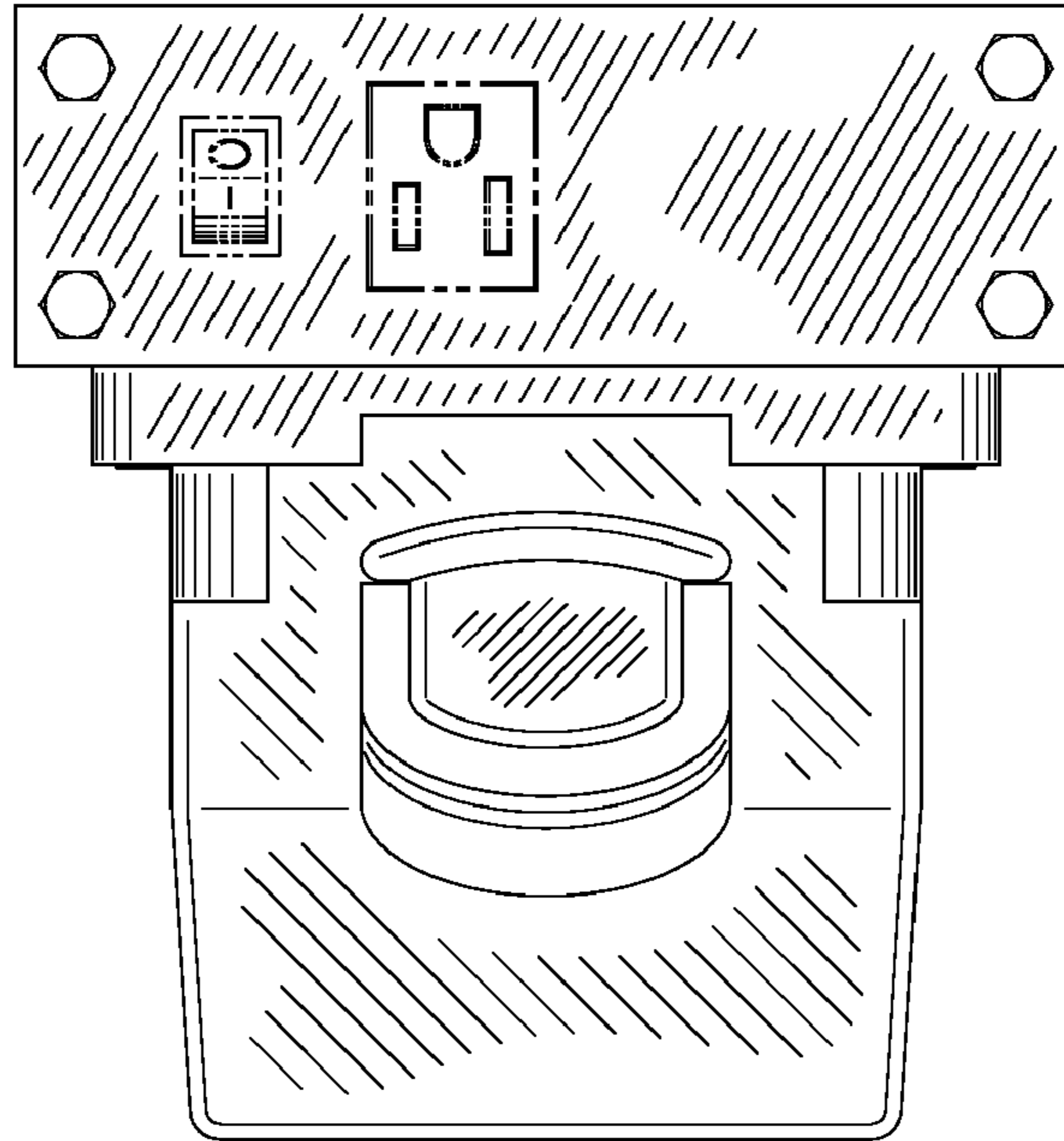


FIG. 20

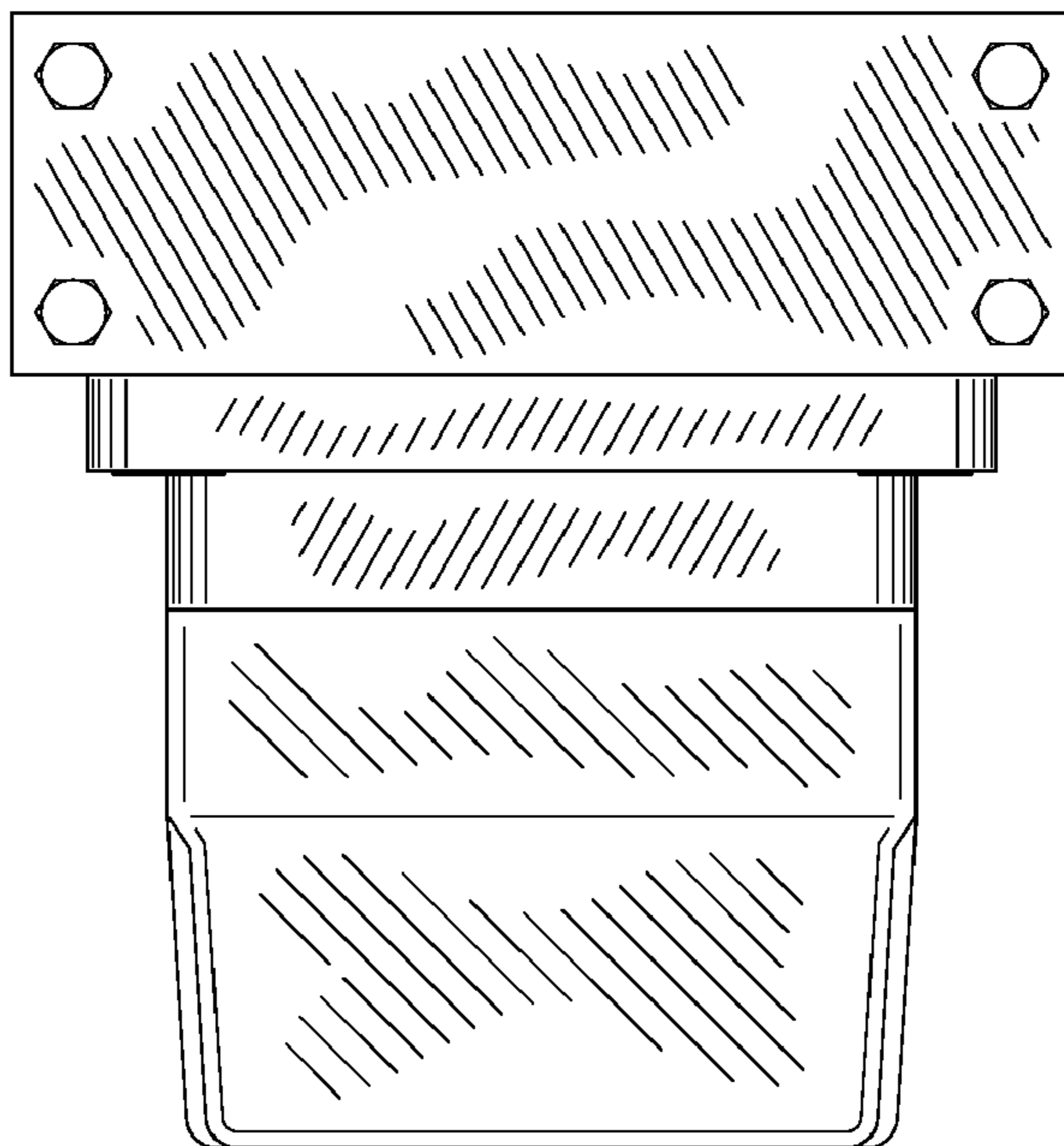


FIG. 21

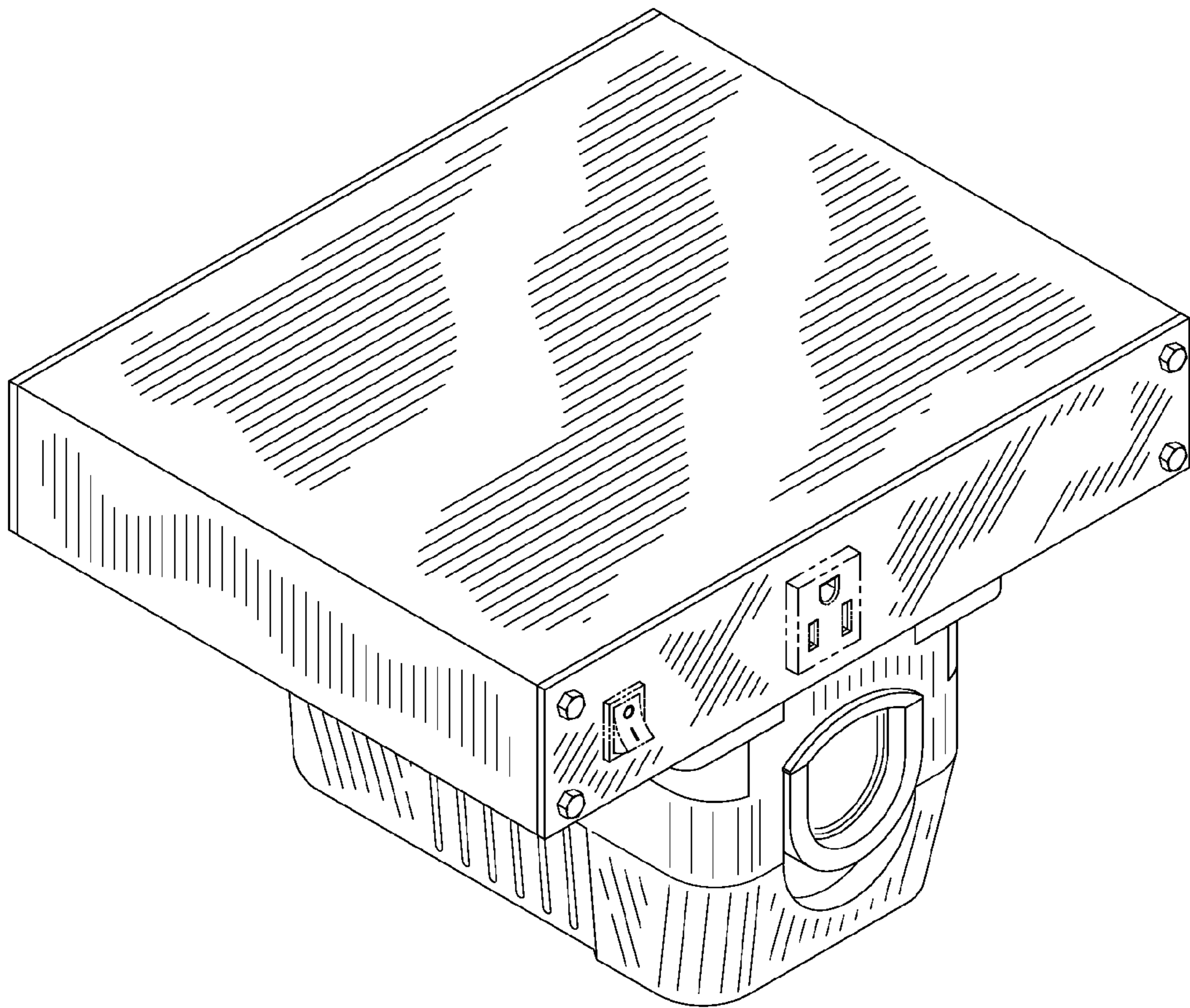


FIG. 22



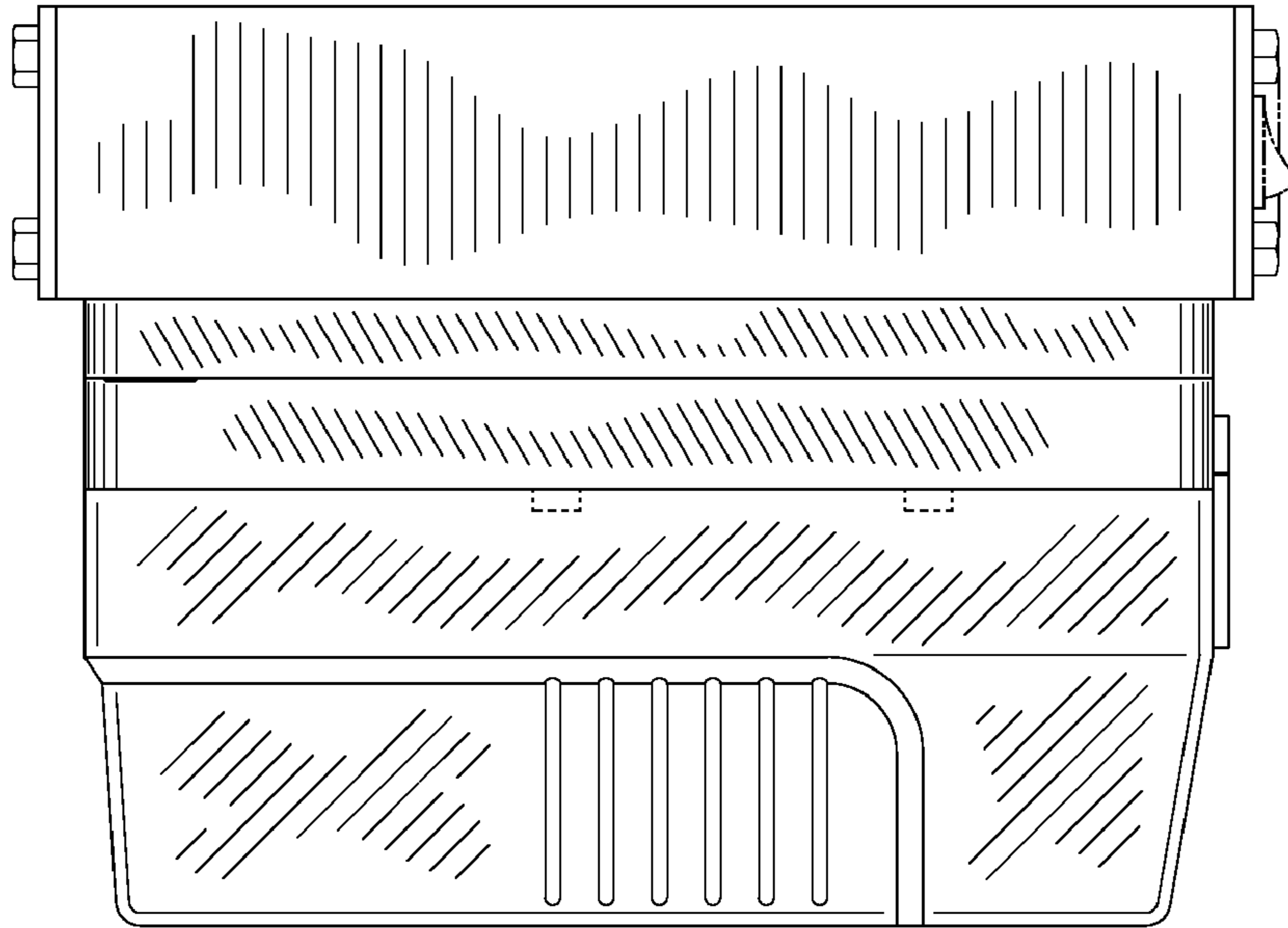


FIG. 23

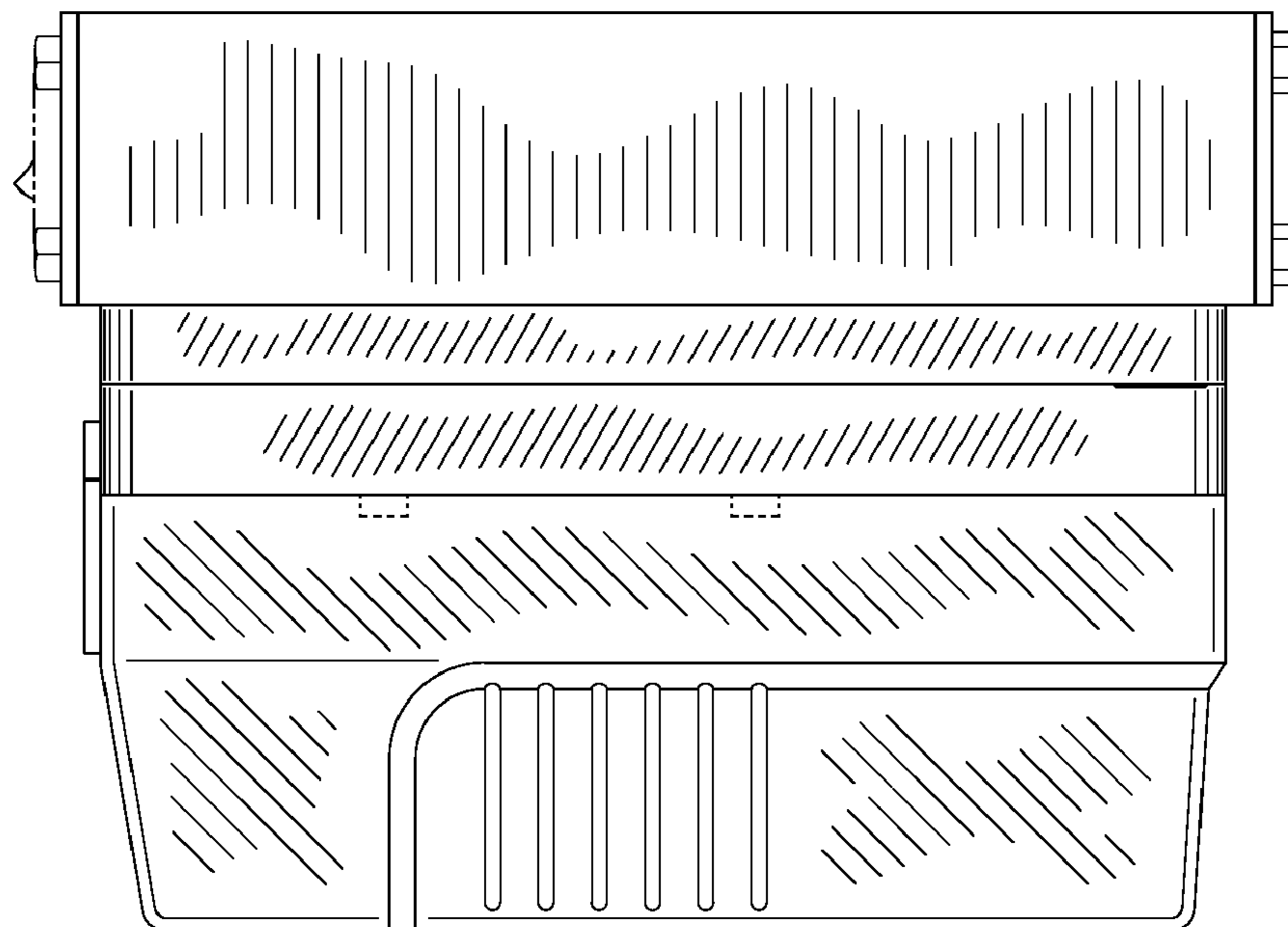


FIG. 24

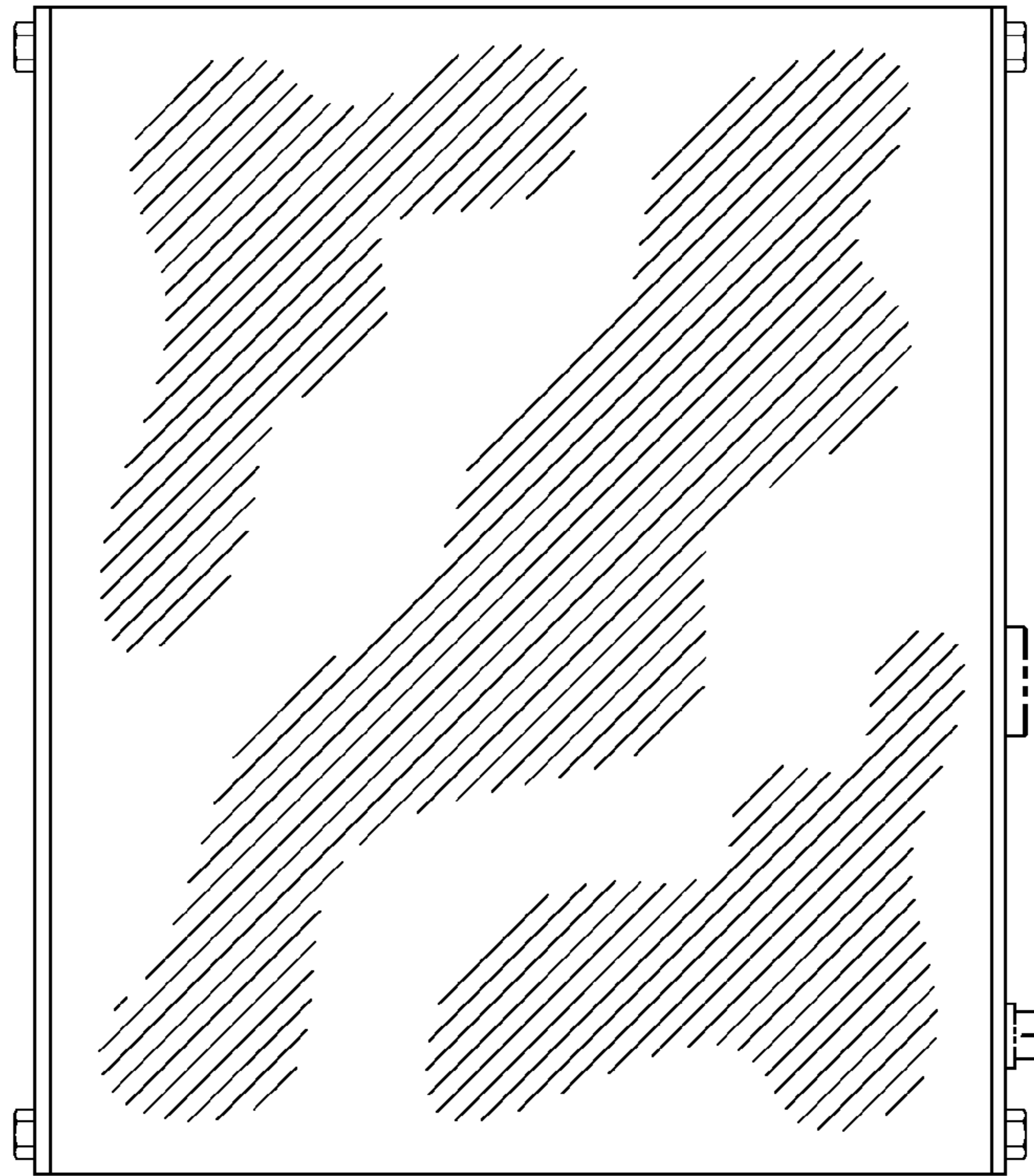


FIG. 25

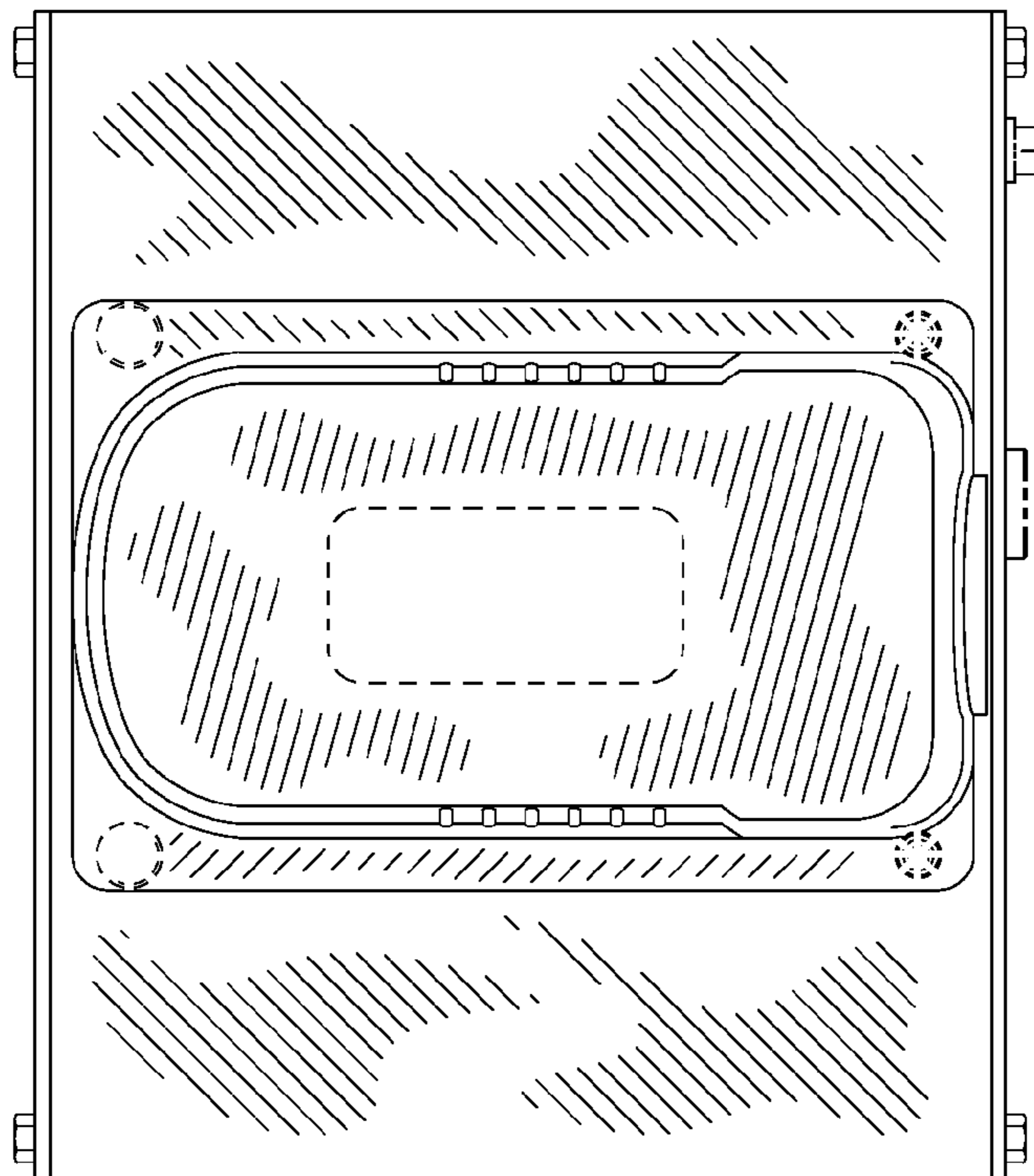


FIG. 26

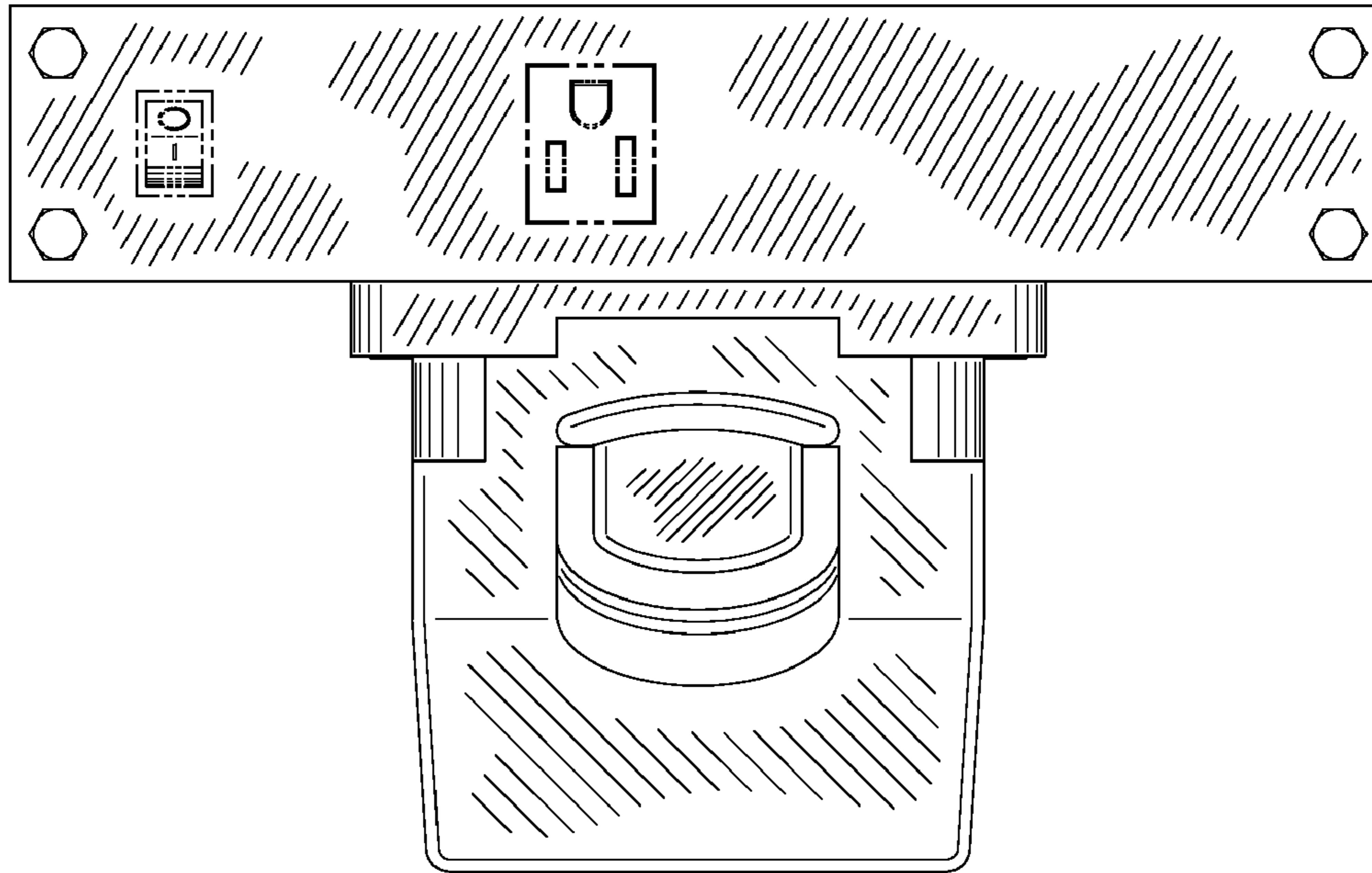


FIG. 27

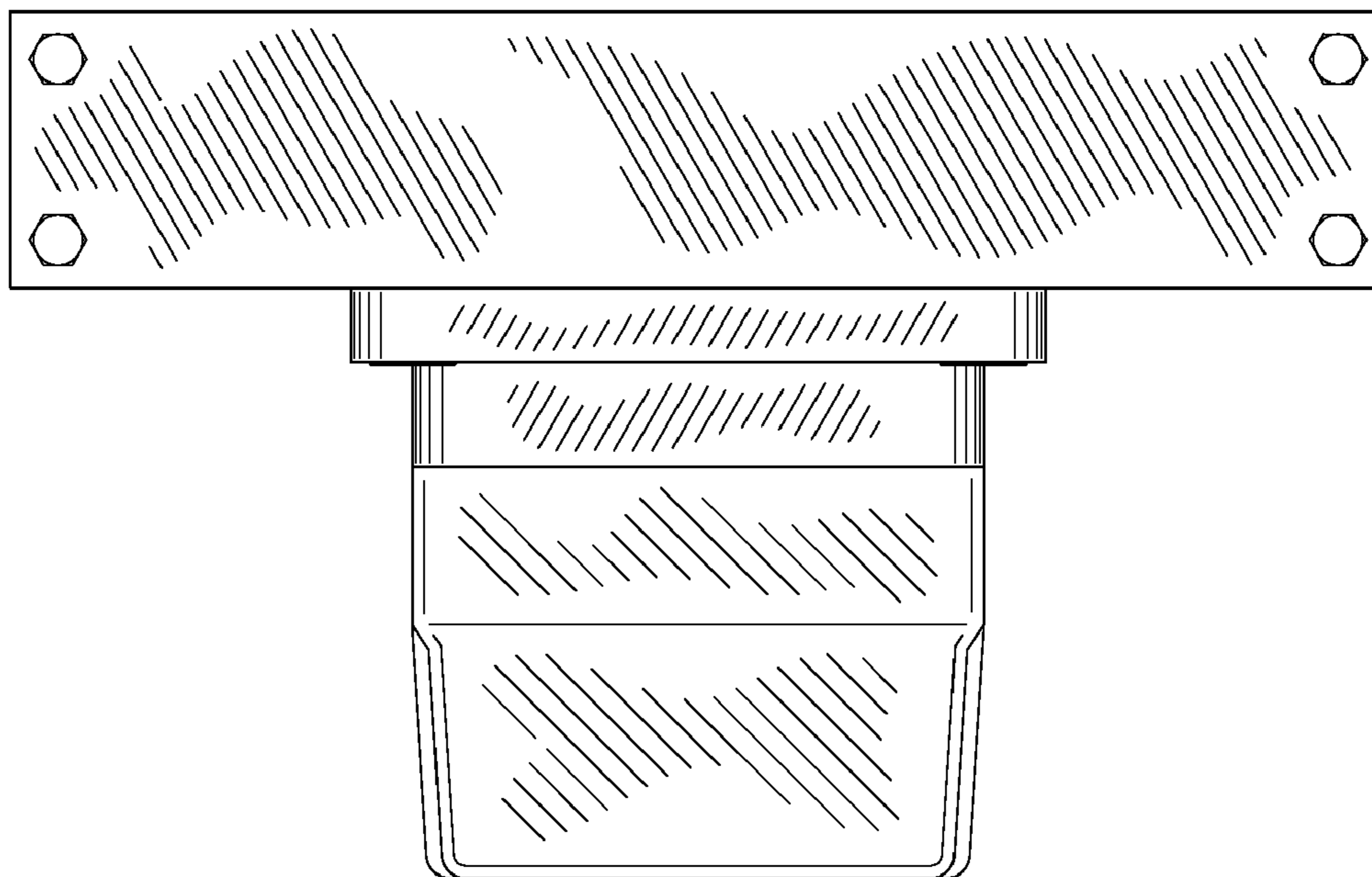


FIG. 28



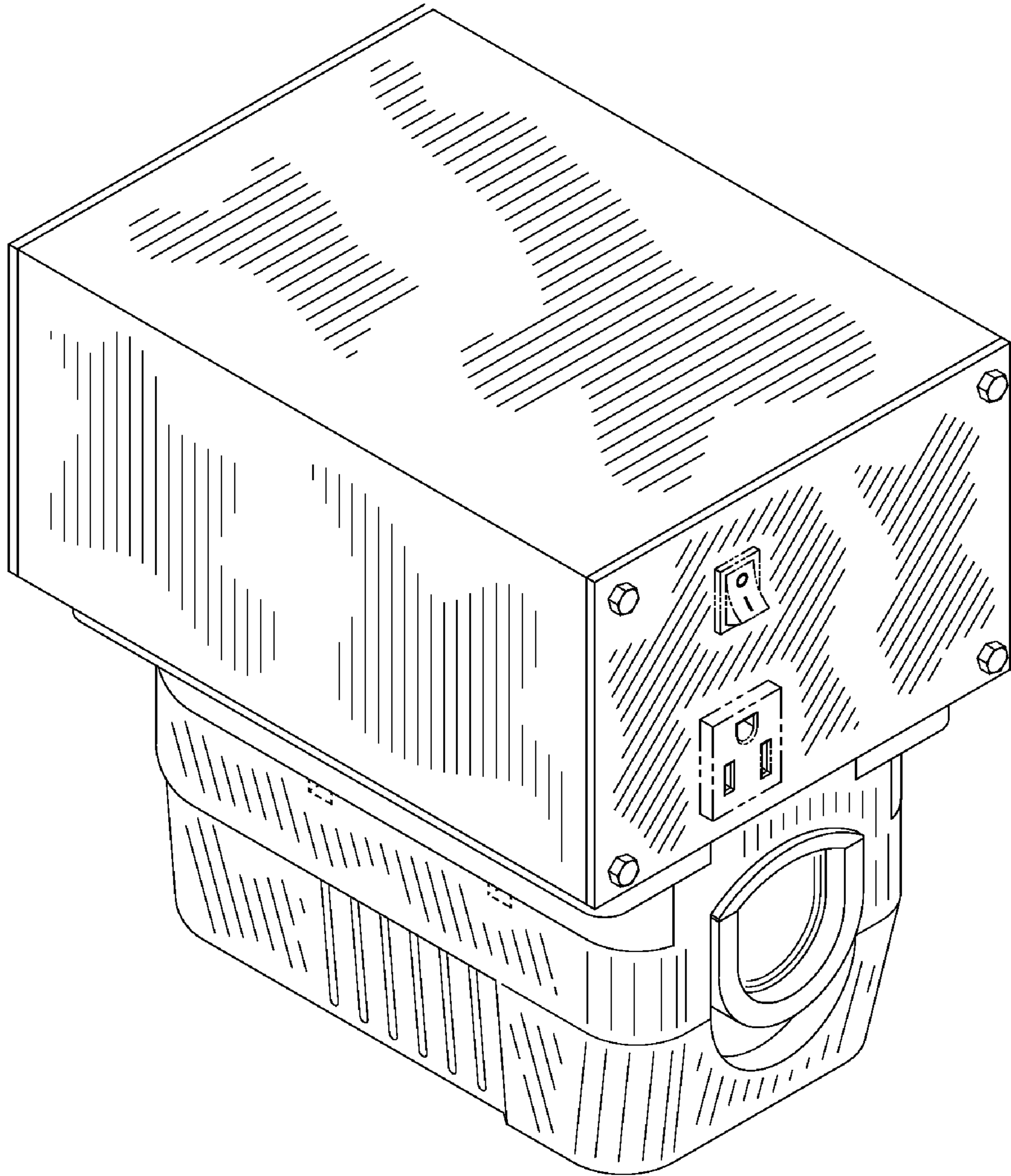


FIG. 29

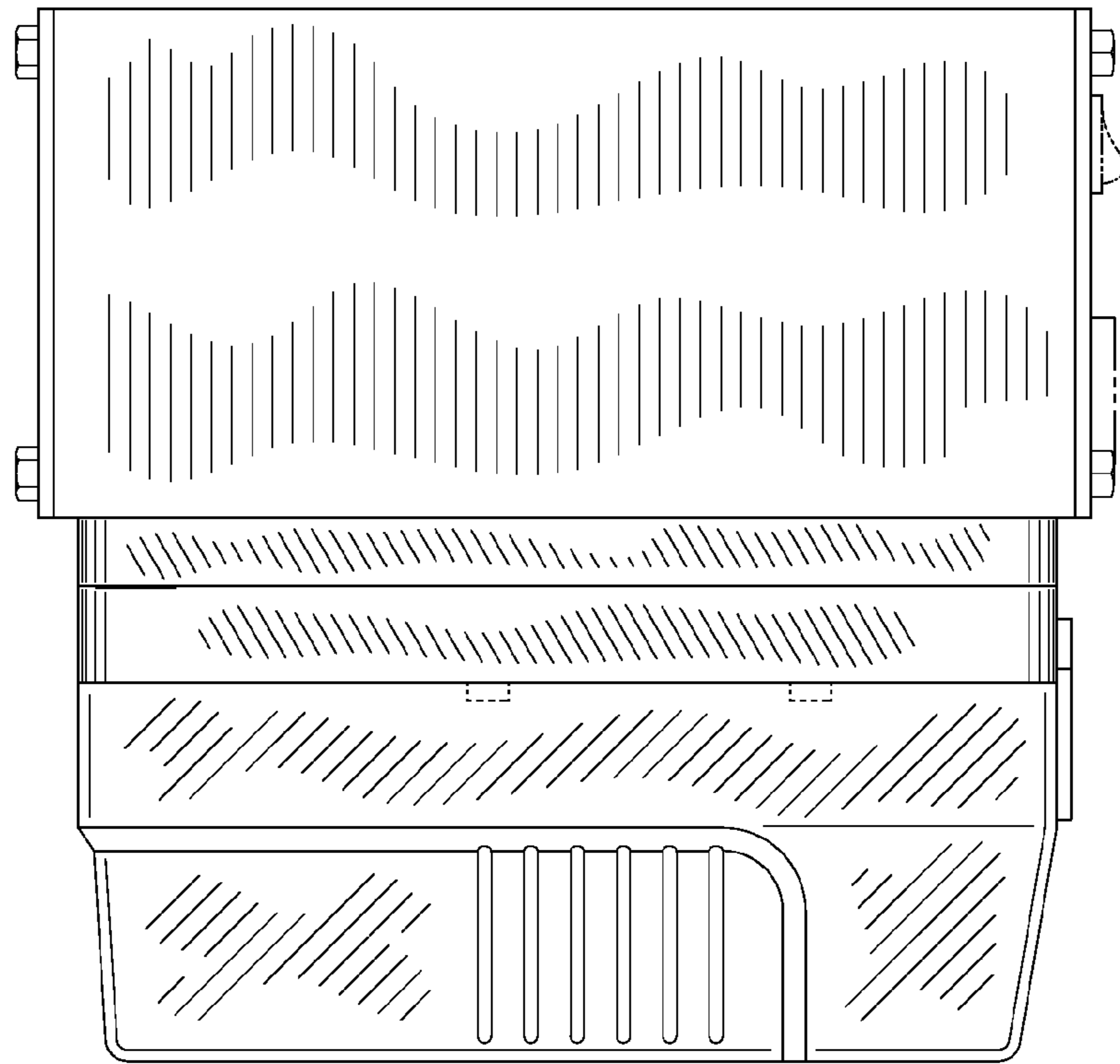


FIG. 30

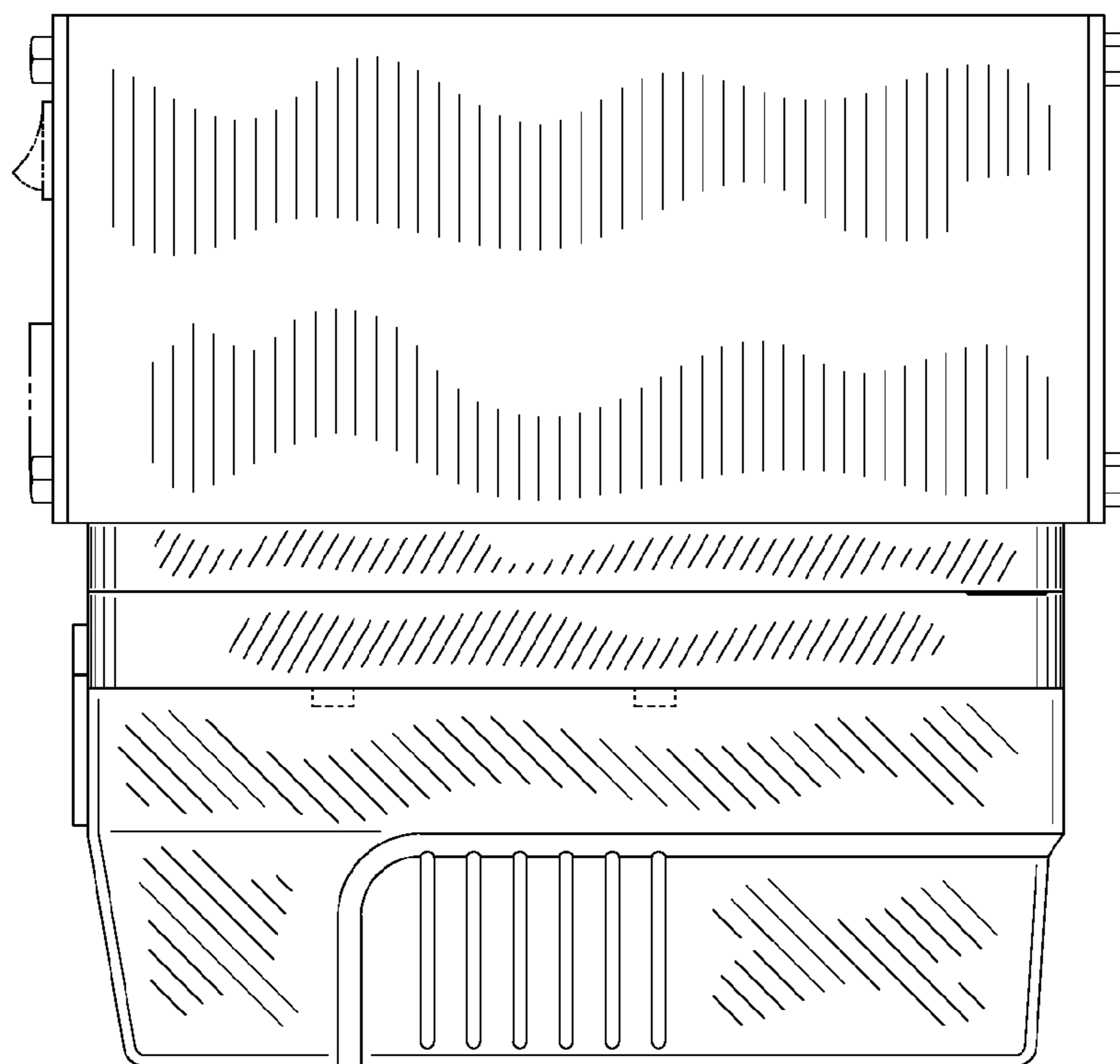


FIG. 31

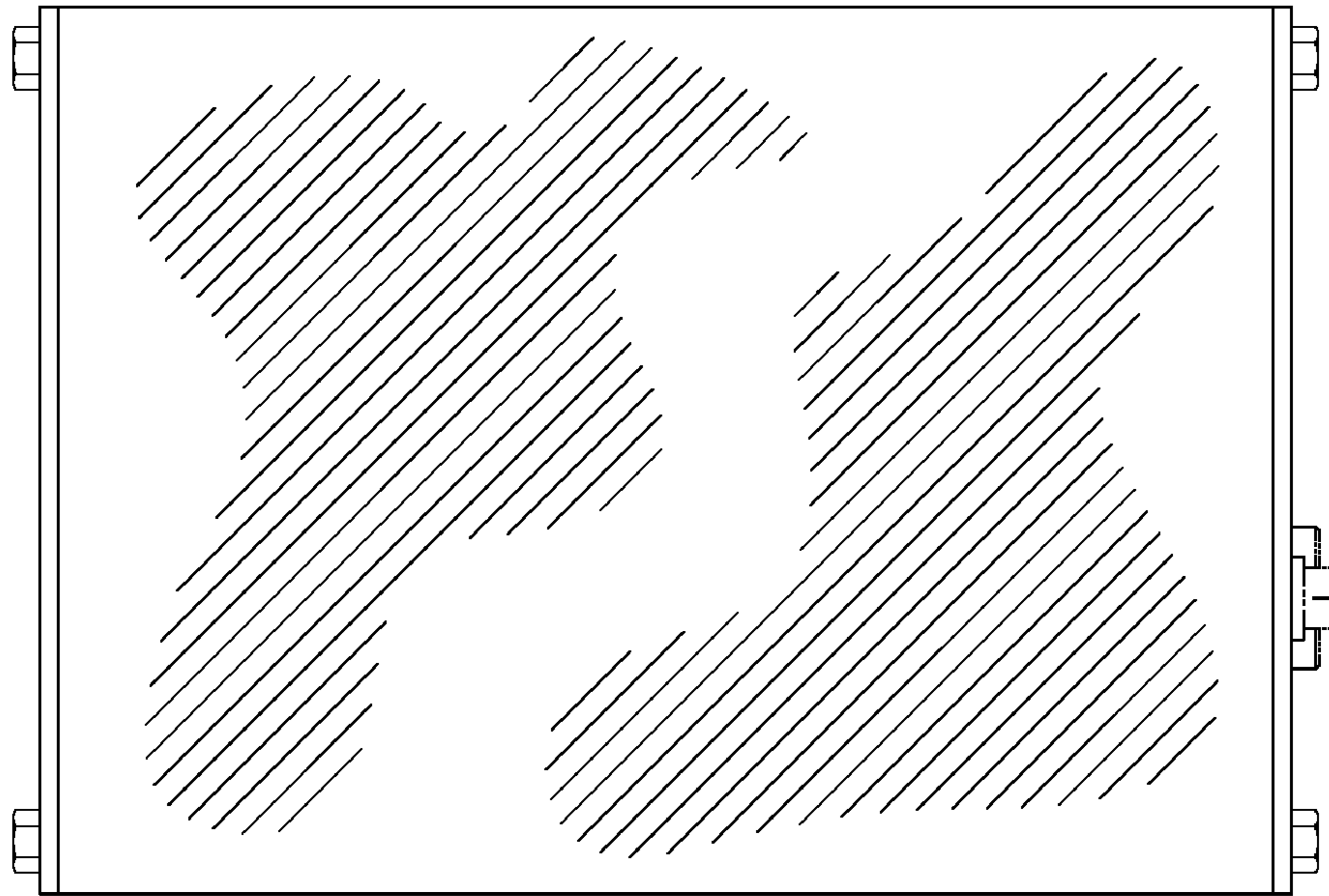


FIG. 32

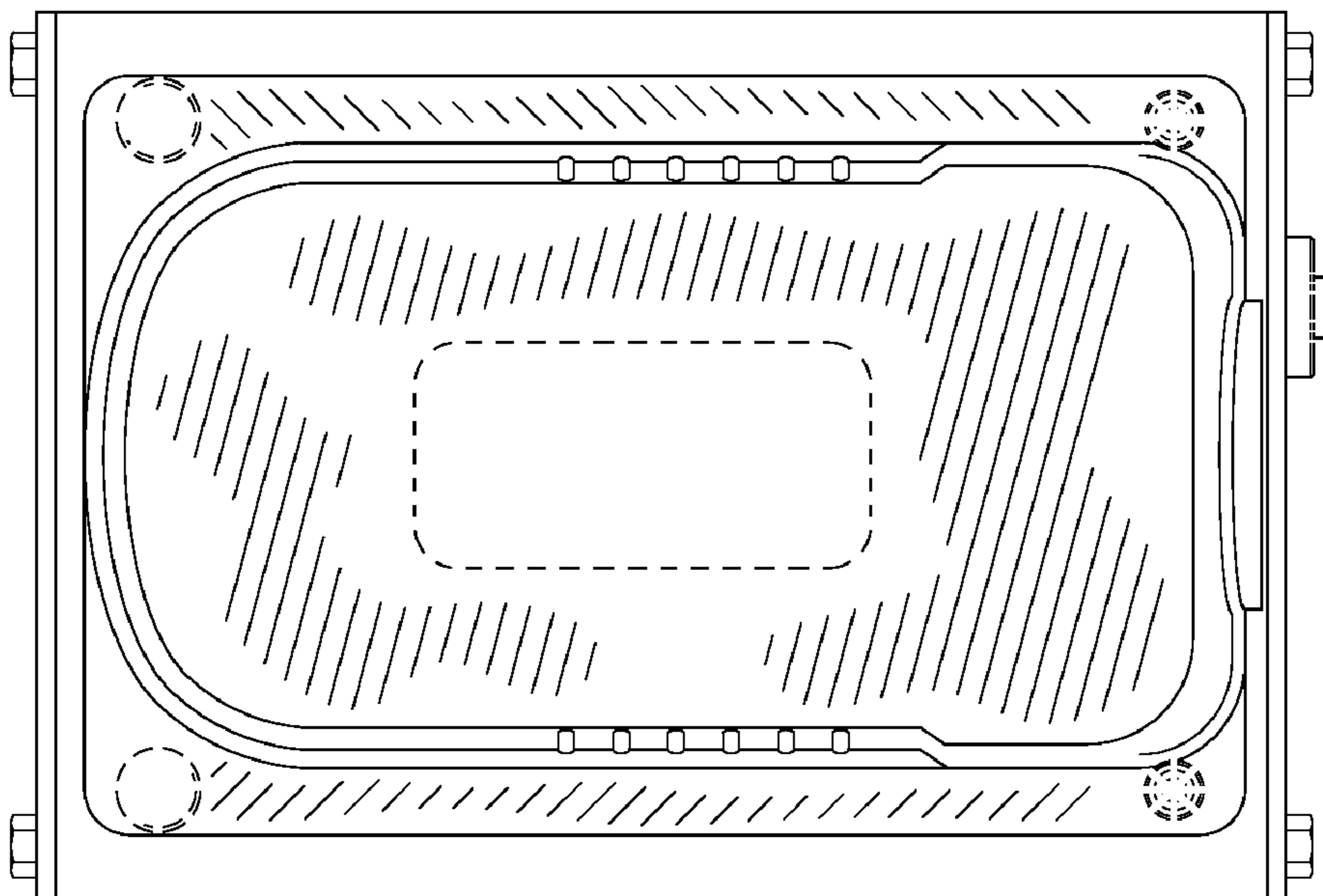


FIG. 33



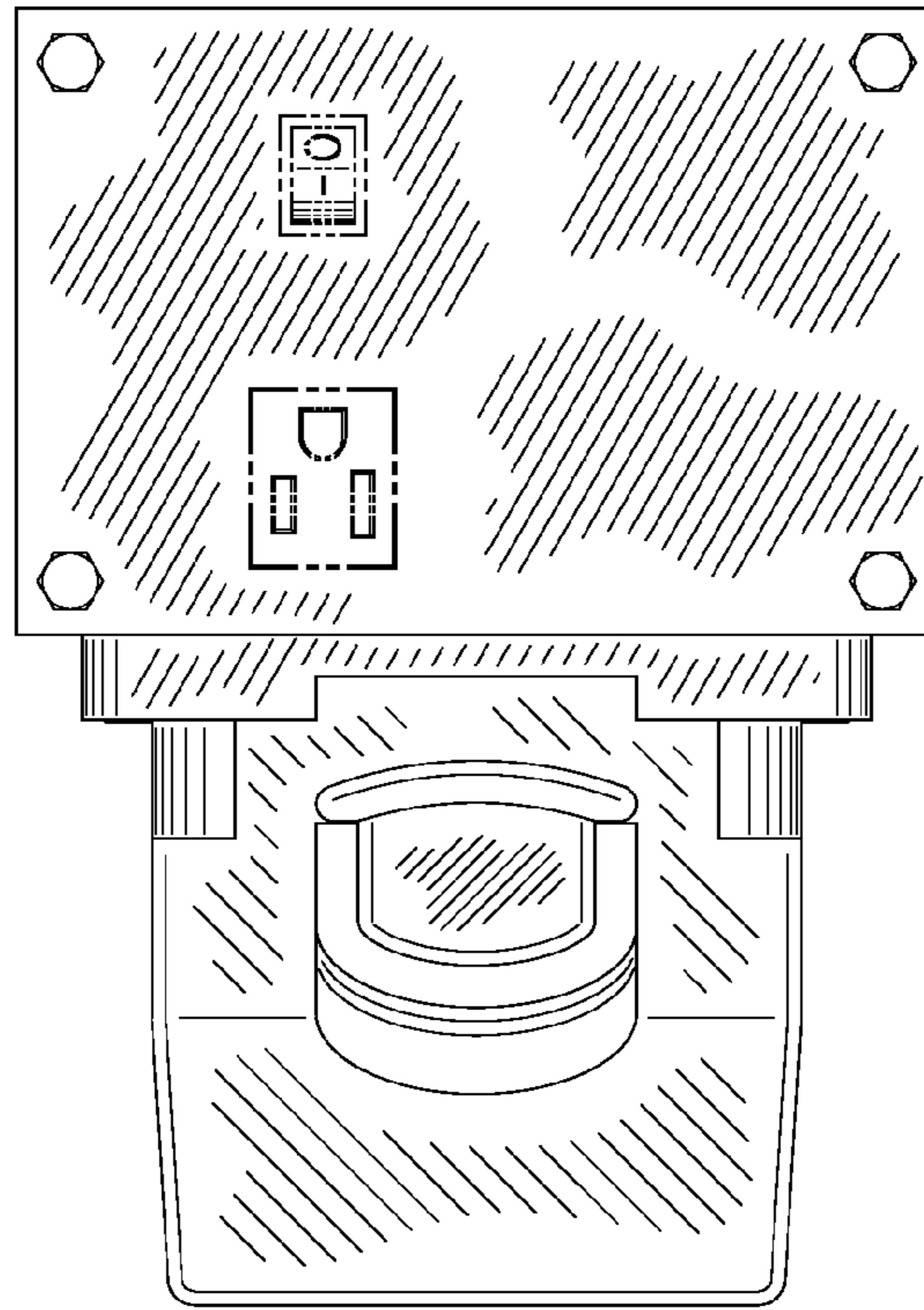


FIG. 34

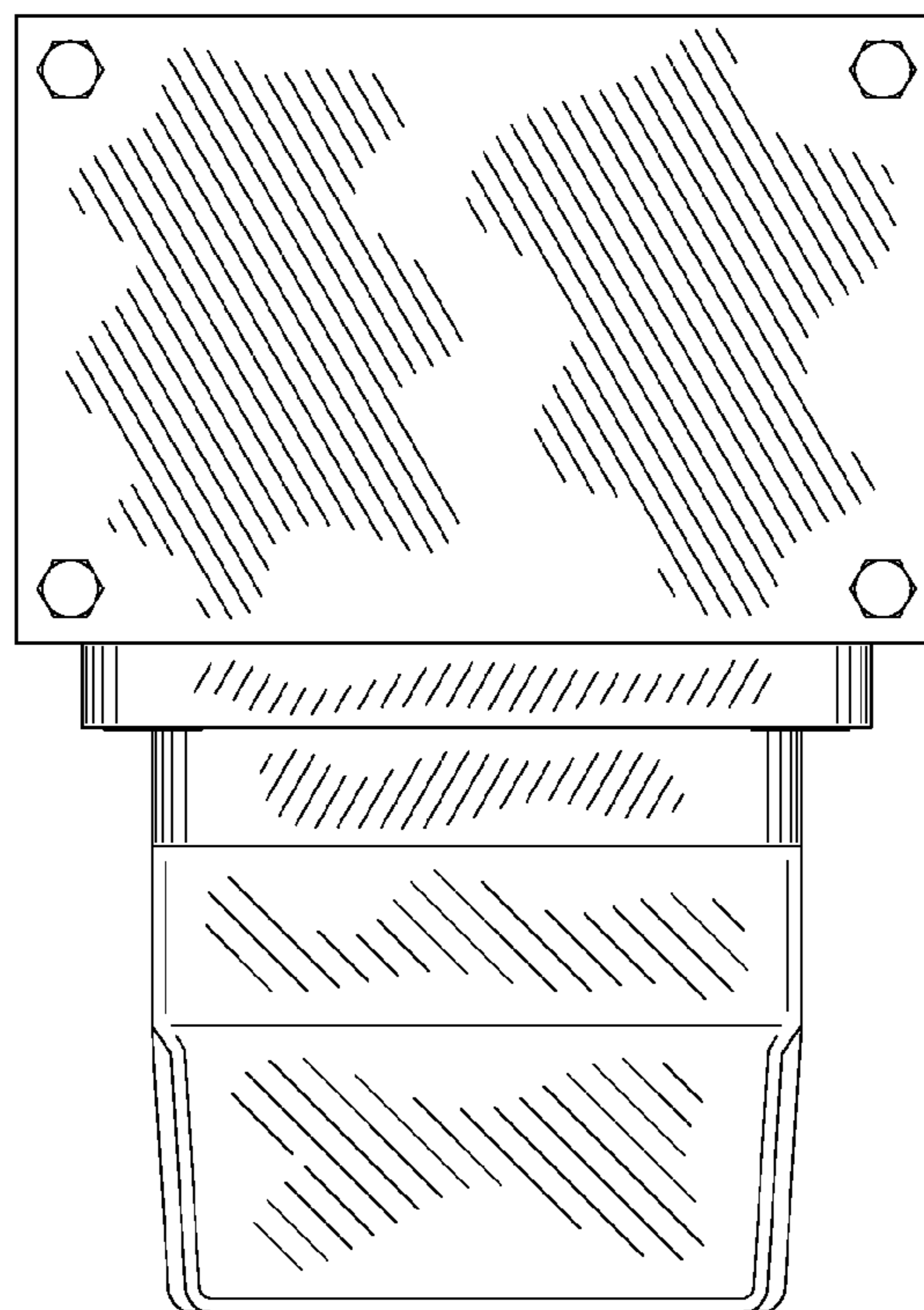


FIG. 35