



US00D671482S

(12) **United States Design Patent**
Nakamura

(10) **Patent No.:** **US D671,482 S**
(45) **Date of Patent:** **** Nov. 27, 2012**

(54) **WHEEL FOR AN AUTOMOBILE**

(75) Inventor: **Hiroaki Nakamura**, Saitama (JP)

(73) Assignees: **Honda Motor Co., Ltd**, Minato-ku, Tokyo (JP); **Target Brands, Inc.**, Minneapolis, MN (US)

(**) Term: **14 Years**

(21) Appl. No.: **29/424,052**

(22) Filed: **Jun. 7, 2012**

(30) **Foreign Application Priority Data**

Dec. 7, 2011 (JP) 2011-028365

(51) **LOC (9) Cl.** **12-16**

(52) **U.S. Cl.** **D12/211**

(58) **Field of Classification Search** D12/204-213;
301/37.101, 64.101, 65, 64.201

See application file for complete search history.

(56) **References Cited**

U.S. PATENT DOCUMENTS

D451,877 S * 12/2001 Lee D12/211
D474,440 S * 5/2003 Oh D12/211
D483,714 S * 12/2003 Warming D12/211

D506,172 S * 6/2005 Pfeiffer D12/211
D517,970 S * 3/2006 Pollmann D12/209
D528,495 S * 9/2006 Truebsbach D12/211
D535,605 S * 1/2007 Guevara D12/211
D603,318 S * 11/2009 Luciani et al. D12/209
D617,717 S * 6/2010 Nordmann D12/211
D620,871 S * 8/2010 Juergens et al. D12/211
D625,245 S * 10/2010 Hans et al. D12/211
D639,225 S * 6/2011 Forschner D12/211
D639,226 S * 6/2011 Juergens et al. D12/211
D641,678 S * 7/2011 Elmitt D12/209
D644,976 S * 9/2011 Nissl D12/209
D654,007 S * 2/2012 Nissl D12/211
D660,771 S * 5/2012 Mueller-Stolz D12/211

* cited by examiner

Primary Examiner — Stacia Cadmus

(74) *Attorney, Agent, or Firm* — Westerman, Hattori, Daniels & Adrian, LLP

(57) **CLAIM**

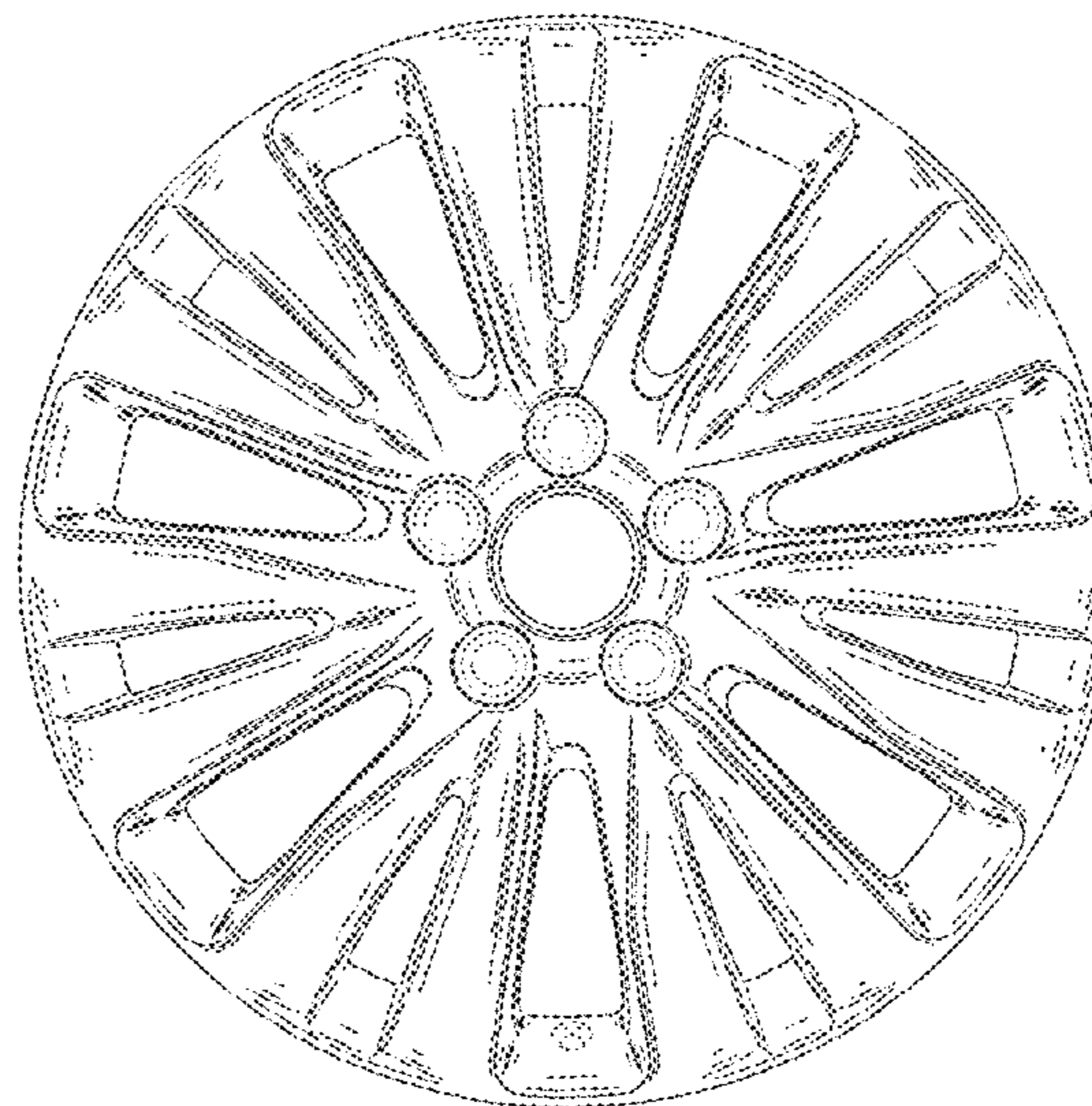
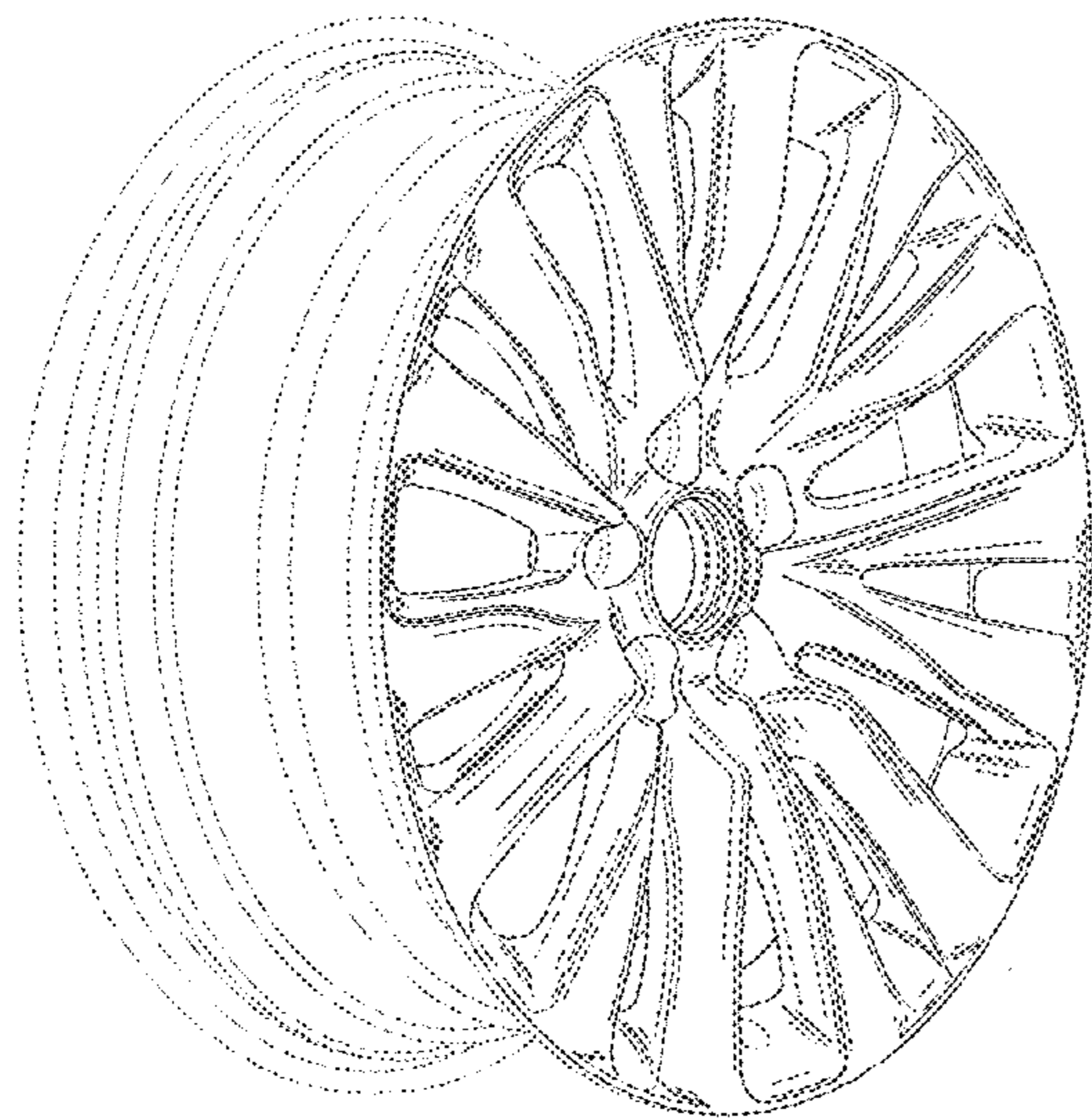
The ornamental design for, a wheel for an automobile, as shown and described.

DESCRIPTION

FIG. 1 is a perspective view of a wheel for an automobile; and, FIG. 2 is a front elevation view thereof.

The broken lines are for illustrative purposes only and form no part of the claimed design.

1 Claim, 2 Drawing Sheets



F I G. 1

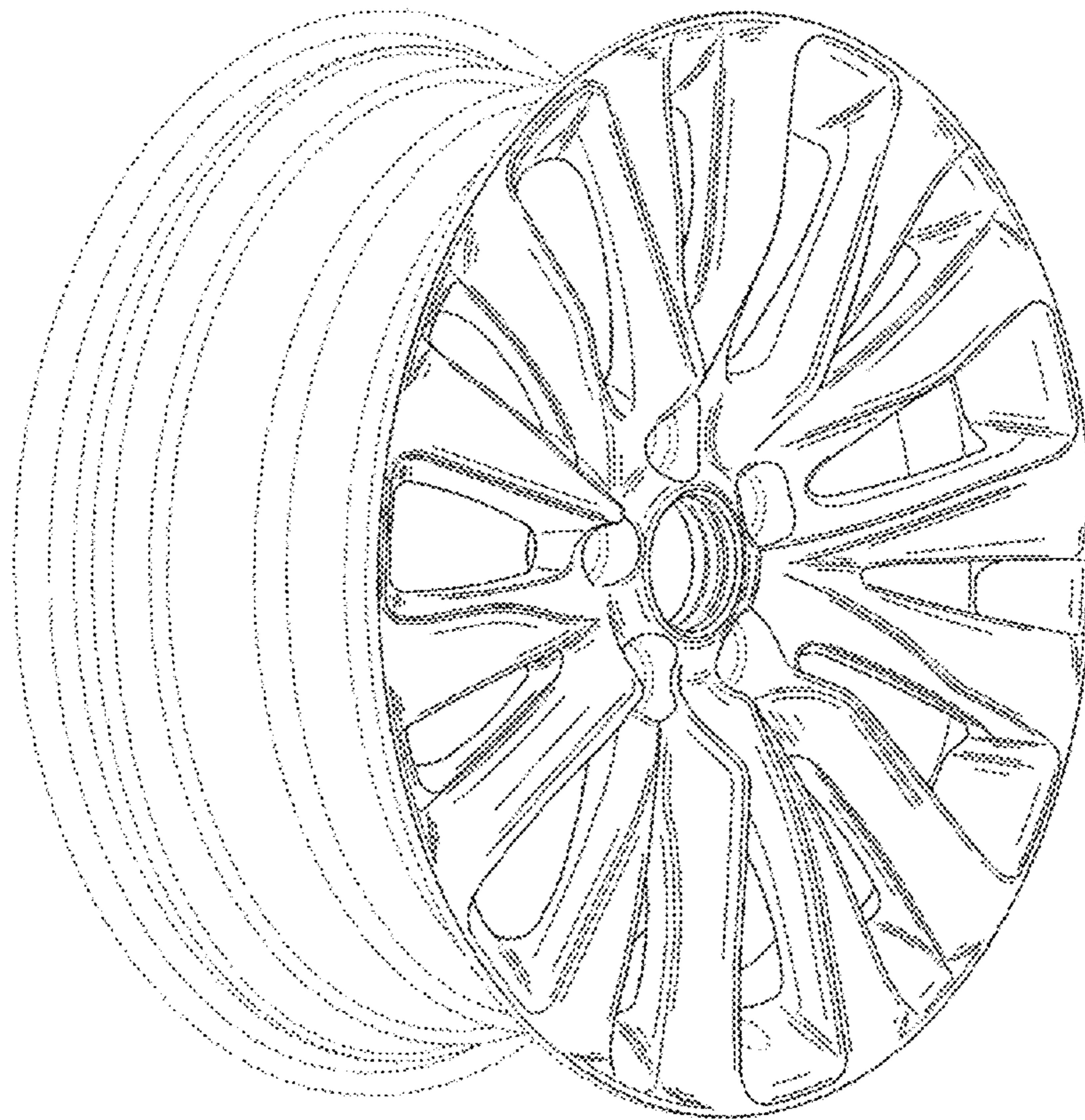
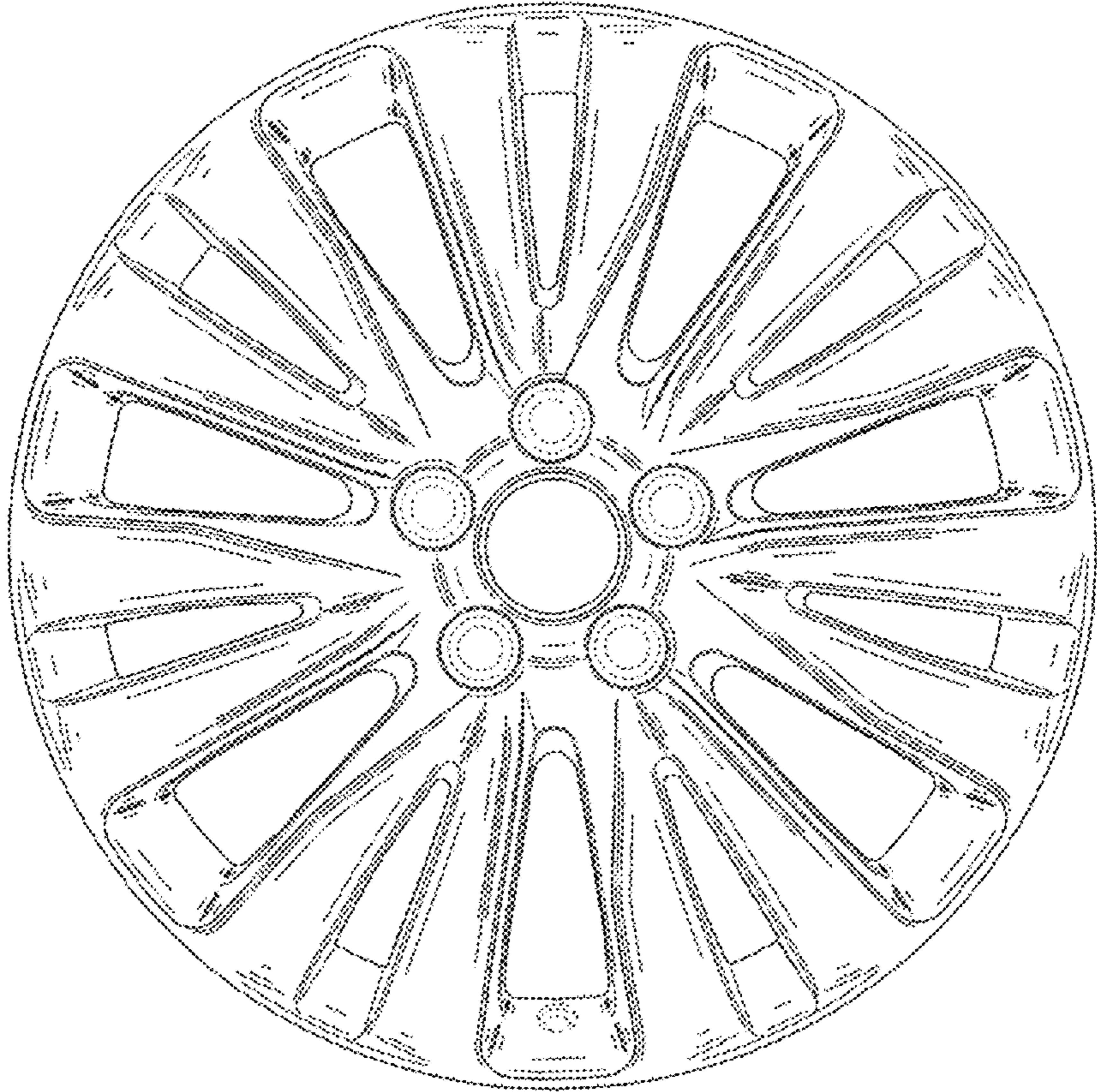


FIG. 2



UNITED STATES PATENT AND TRADEMARK OFFICE
CERTIFICATE OF CORRECTION

PATENT NO. : D671,482 S
APPLICATION NO. : 29/424052
DATED : November 27, 2012
INVENTOR(S) : Hiroaki Nakamura

Page 1 of 1

It is certified that error appears in the above-identified patent and that said Letters Patent is hereby corrected as shown below:

Title Page, Item [73]

Change

“Assignee: HONDA MOTOR CO., LTD, Minato-ku, Tokyo, Japan
TARGET BRANDS, INC., Minneapolis, Minnesota”

To be

-- Assignee: HONDA MOTOR CO., LTD, Tokyo, Japan --

Signed and Sealed this
Thirtieth Day of April, 2013



Teresa Stanek Rea
Acting Director of the United States Patent and Trademark Office