

US00D671481S

(12) **United States Design Patent**
Amezqueta

(10) **Patent No.:** **US D671,481 S**

(45) **Date of Patent:** **** Nov. 27, 2012**

(54) **WHEEL OR WHEEL COVER**

(75) Inventor: **Eneko Amezqueta**, Munich (DE)

(73) Assignee: **Bayerische Motoren Werke Aktiengesellschaft**, Munich (DE)

(**) Term: **14 Years**

(21) Appl. No.: **29/417,546**

(22) Filed: **Apr. 5, 2012**

(30) **Foreign Application Priority Data**

Oct. 6, 2011 (DE) 402011006237

(51) **LOC (9) Cl.** **12-16**

(52) **U.S. Cl.** **D12/211**

(58) **Field of Classification Search** D12/204-213;
301/37.101, 64.101, 65, 64.201

See application file for complete search history.

(56) **References Cited**

U.S. PATENT DOCUMENTS

D402,951 S	12/1998	Wechner	
D419,945 S *	2/2000	Hartanto	D12/211
D432,071 S *	10/2000	Brown	D12/211
D479,178 S *	9/2003	Lai	D12/211
D499,686 S *	12/2004	Song	D12/211
D509,467 S *	9/2005	Gabath	D12/211
D516,991 S *	3/2006	Guevara	D12/211
D526,947 S *	8/2006	Kim	D12/209
D526,948 S *	8/2006	Truebsbach	D12/211
D535,603 S *	1/2007	Guevara	D12/209
D567,167 S	4/2008	Forster	
D569,323 S *	5/2008	Laengerer	D12/211
D576,094 S *	9/2008	Bernoni	D12/211
D578,053 S *	10/2008	Neeper	D12/211
D583,742 S *	12/2008	Juergens et al.	D12/211

D612,787 S *	3/2010	Juergens et al.	D12/209
D622,649 S *	8/2010	Weil	D12/209
D635,076 S	3/2011	De Bono	
D639,224 S *	6/2011	Szews	D12/211
D639,227 S *	6/2011	Leclercq	D12/211

FOREIGN PATENT DOCUMENTS

DE	M8905980.8	4/1990
DE	M9704929.8	11/1997
DE	M9804702.7	2/1999
EM	000010442-0002	7/2003
EM	000735758-0006	7/2007
EM	001908807-0002	8/2011
EM	001744640-0005	11/2011

* cited by examiner

Primary Examiner — Stacia Cadmus

(74) *Attorney, Agent, or Firm* — Crowell & Moring LLP

(57) **CLAIM**

The ornamental design for a wheel or wheel cover, as shown and described.

DESCRIPTION

This application contains subject matter related to the following copending U.S. design patent application:

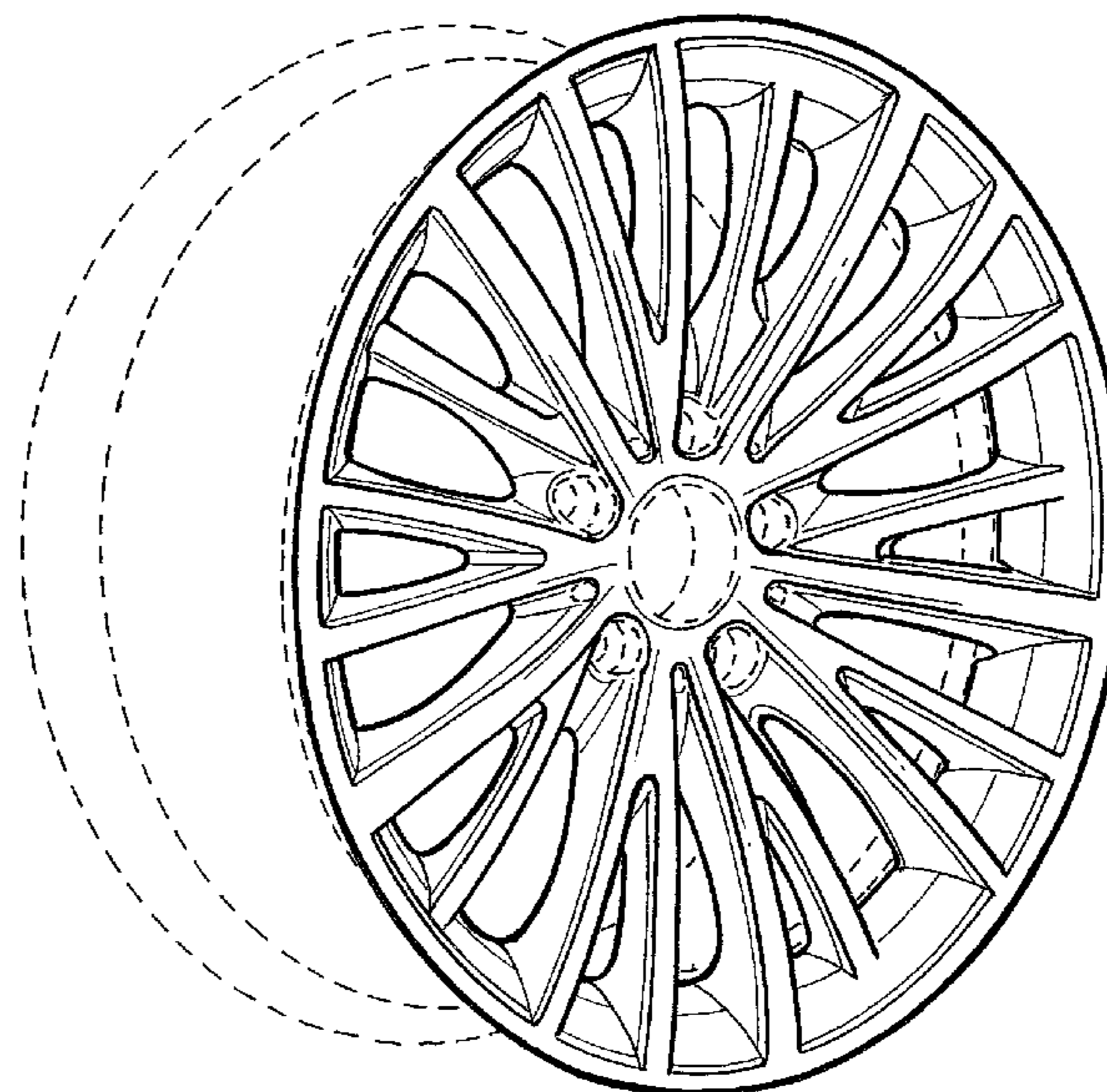
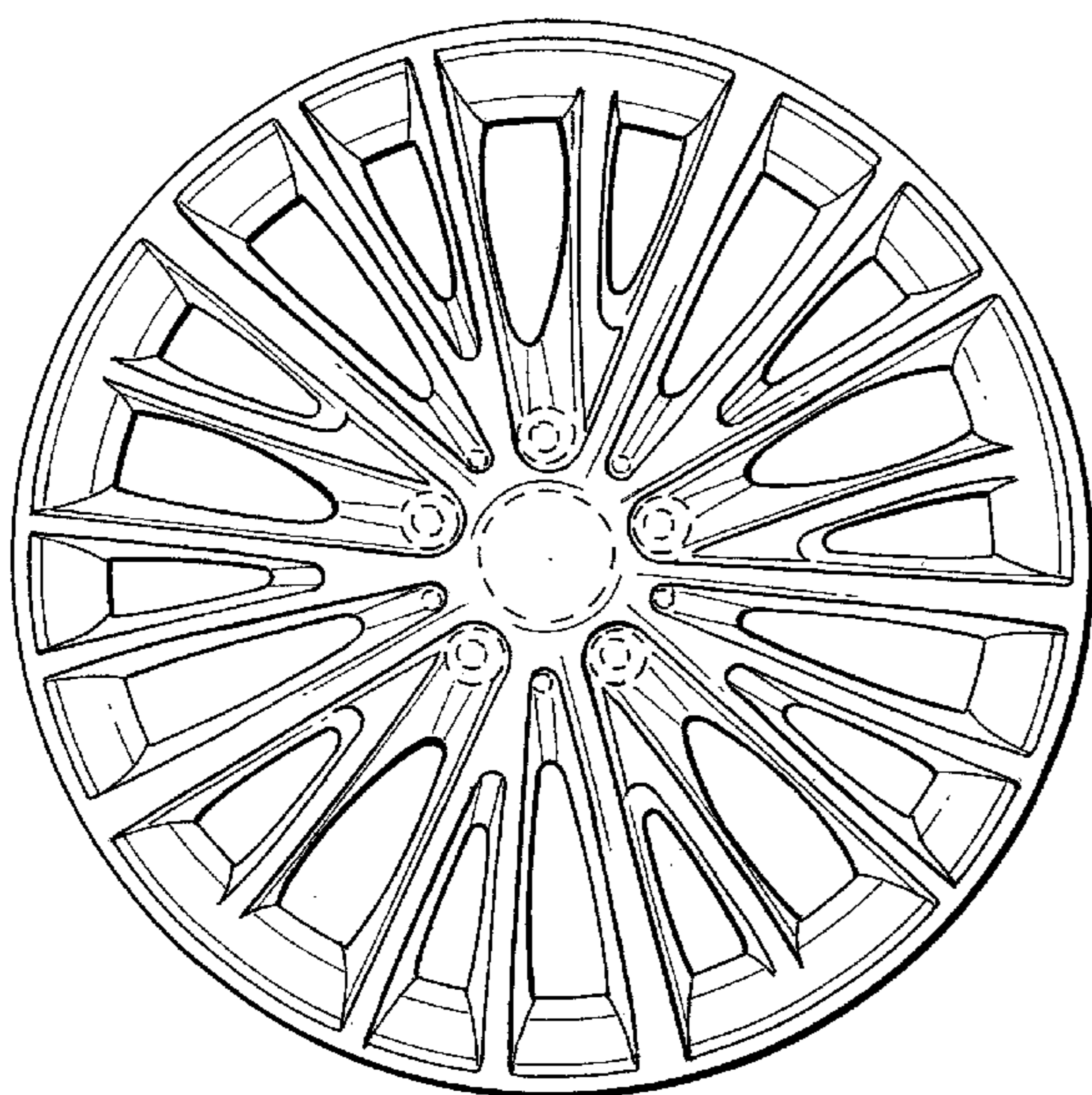
Application Ser. No. 29/401,755, filed Sep. 15, 2011 and entitled "Wheel or Wheel Cover."

FIG. 1 is a front view of a wheel or wheel cover according to my design; and,

FIG. 2 is a perspective view thereof.

The broken line showing of the rear of the wheel and the bolt holes and center opening in the central hub area is included for purpose of illustrating environment and forms no part of the claimed design.

1 Claim, 1 Drawing Sheet



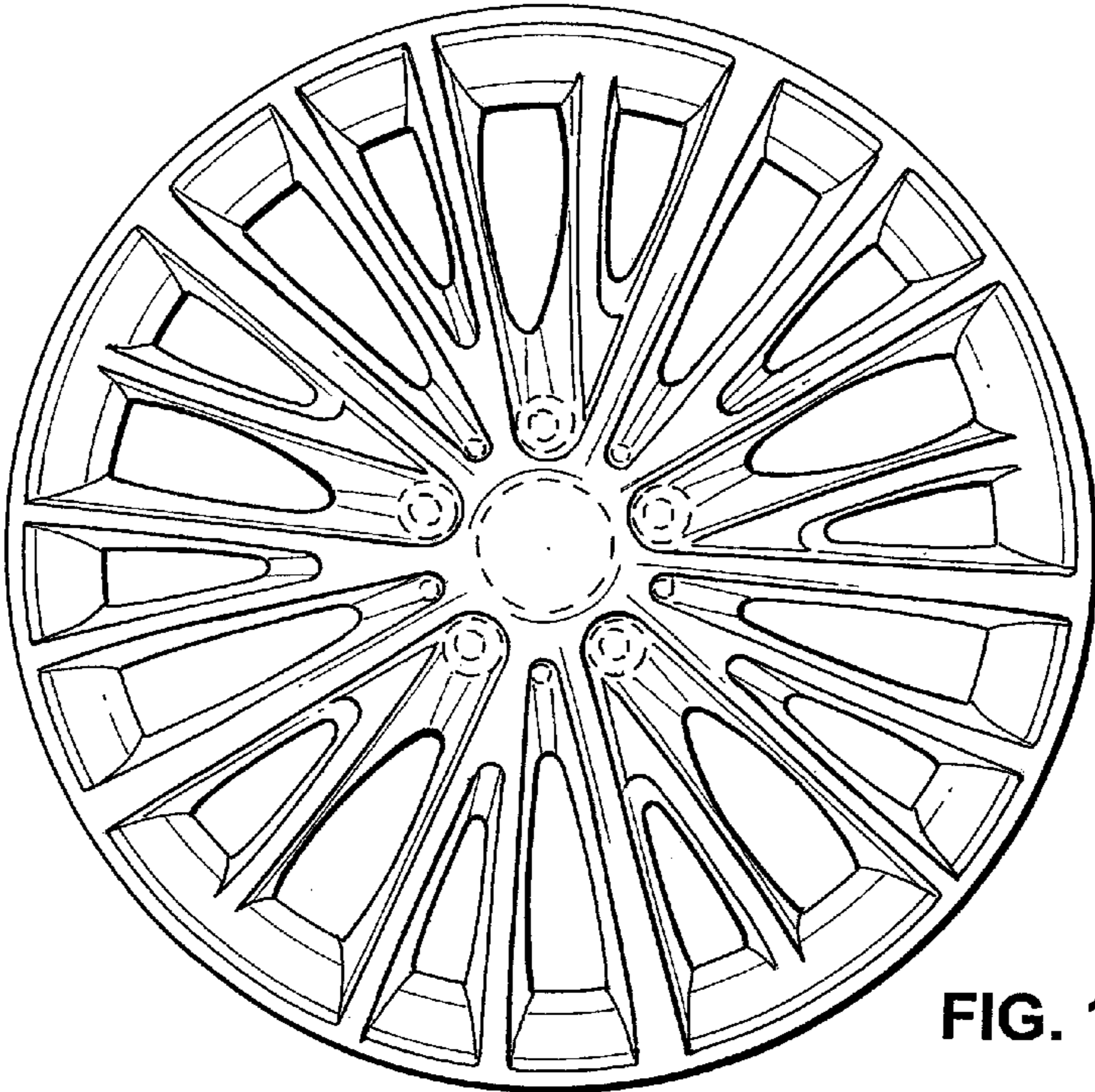


FIG. 1

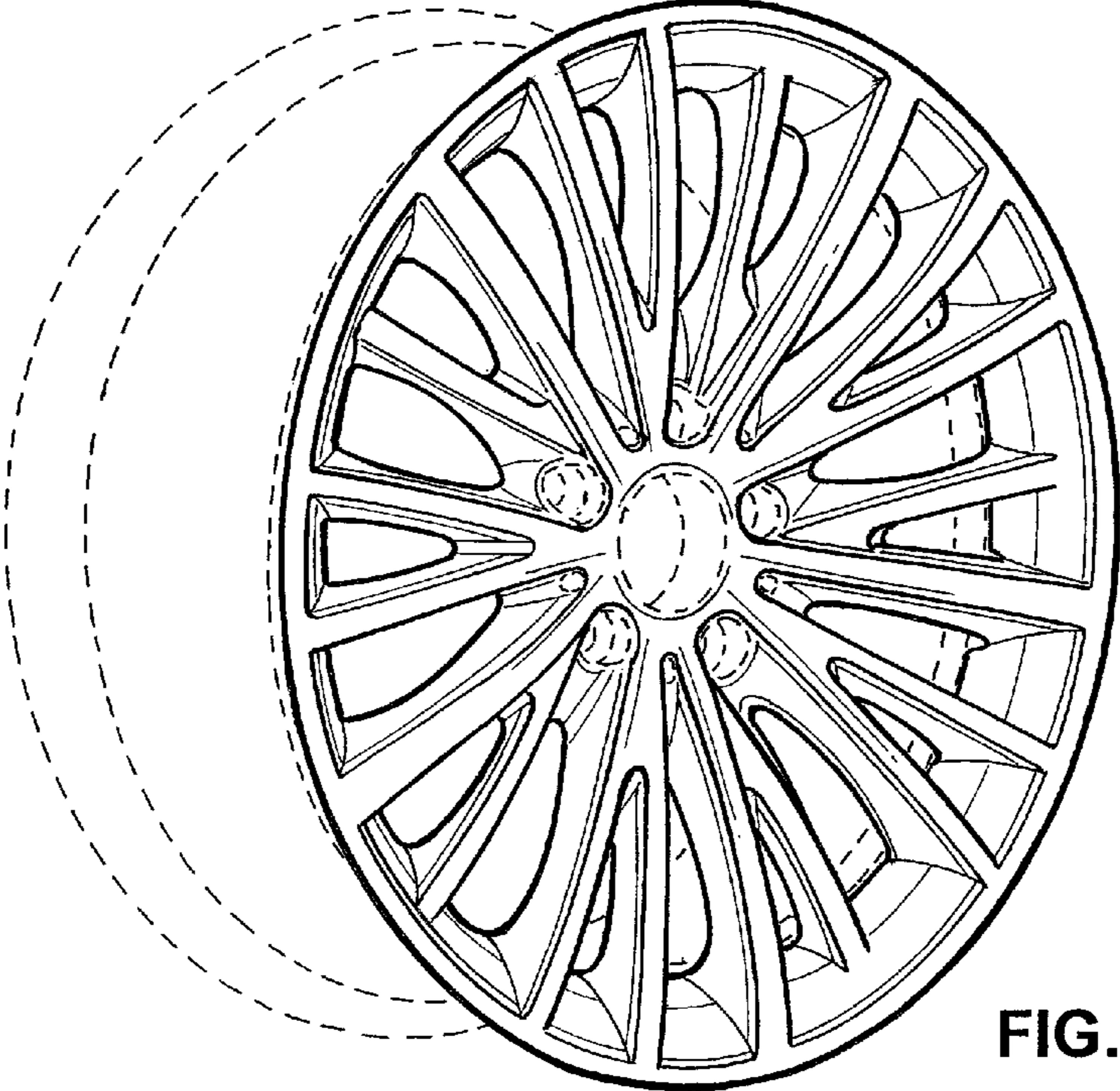


FIG. 2