



US00D671480S

(12) **United States Design Patent**
Cepkova

(10) **Patent No.:** **US D671,480 S**

(45) **Date of Patent:** **** Nov. 27, 2012**

(54) **WHEEL OR WHEEL COVER**

(75) Inventor: **Lucia Cepkova**, Ingolstadt (DE)

(73) Assignee: **Bayerische Motoren Werke Aktiengesellschaft**, Munich (DE)

(**) Term: **14 Years**

(21) Appl. No.: **29/417,651**

(22) Filed: **Apr. 6, 2012**

(30) **Foreign Application Priority Data**

Oct. 7, 2011 (DE) 402011005029

(51) **LOC (9) Cl.** **12-16**

(52) **U.S. Cl.** **D12/209**

(58) **Field of Classification Search** D12/204-213;
301/37.101, 64.101, 65, 64.201

See application file for complete search history.

(56) **References Cited**

U.S. PATENT DOCUMENTS

D432,071 S *	10/2000	Brown	D12/211
D454,826 S *	3/2002	Kaucher	D12/211
D456,333 S	4/2002	Pollmann		
D471,504 S *	3/2003	Laengerer	D12/211
D499,686 S *	12/2004	Song	D12/211
D526,947 S *	8/2006	Kim	D12/209
D526,948 S *	8/2006	Truebsbach	D12/211
D535,603 S *	1/2007	Guevara	D12/209
D541,724 S *	5/2007	Gallert	D12/211
D567,167 S	4/2008	Forster		
D576,094 S *	9/2008	Bernoni	D12/211

D583,740 S	12/2008	Frizzi		
D583,742 S *	12/2008	Juergens et al.	D12/211
D593,922 S	6/2009	Blasi		
D612,787 S *	3/2010	Juergens et al.	D12/209
D622,649 S *	8/2010	Weil	D12/209
D635,076 S *	3/2011	De Bono	D12/209
D635,499 S *	4/2011	Nissl	D12/211
D647,450 S *	10/2011	Platto et al.	D12/209
D658,560 S	5/2012	Thurner		
D661,239 S *	6/2012	Pollmann et al.	D12/209

FOREIGN PATENT DOCUMENTS

DE	40010998.0	3/2001
EM	000735758-0006	7/2007
EM	000923388-0001	5/2008
EM	000997572-0007	10/2008
EM	000936281-0004	11/2009
EM	001812504-0001	1/2011

* cited by examiner

Primary Examiner — Stacia Cadmus

(74) *Attorney, Agent, or Firm* — Crowell & Moring LLP

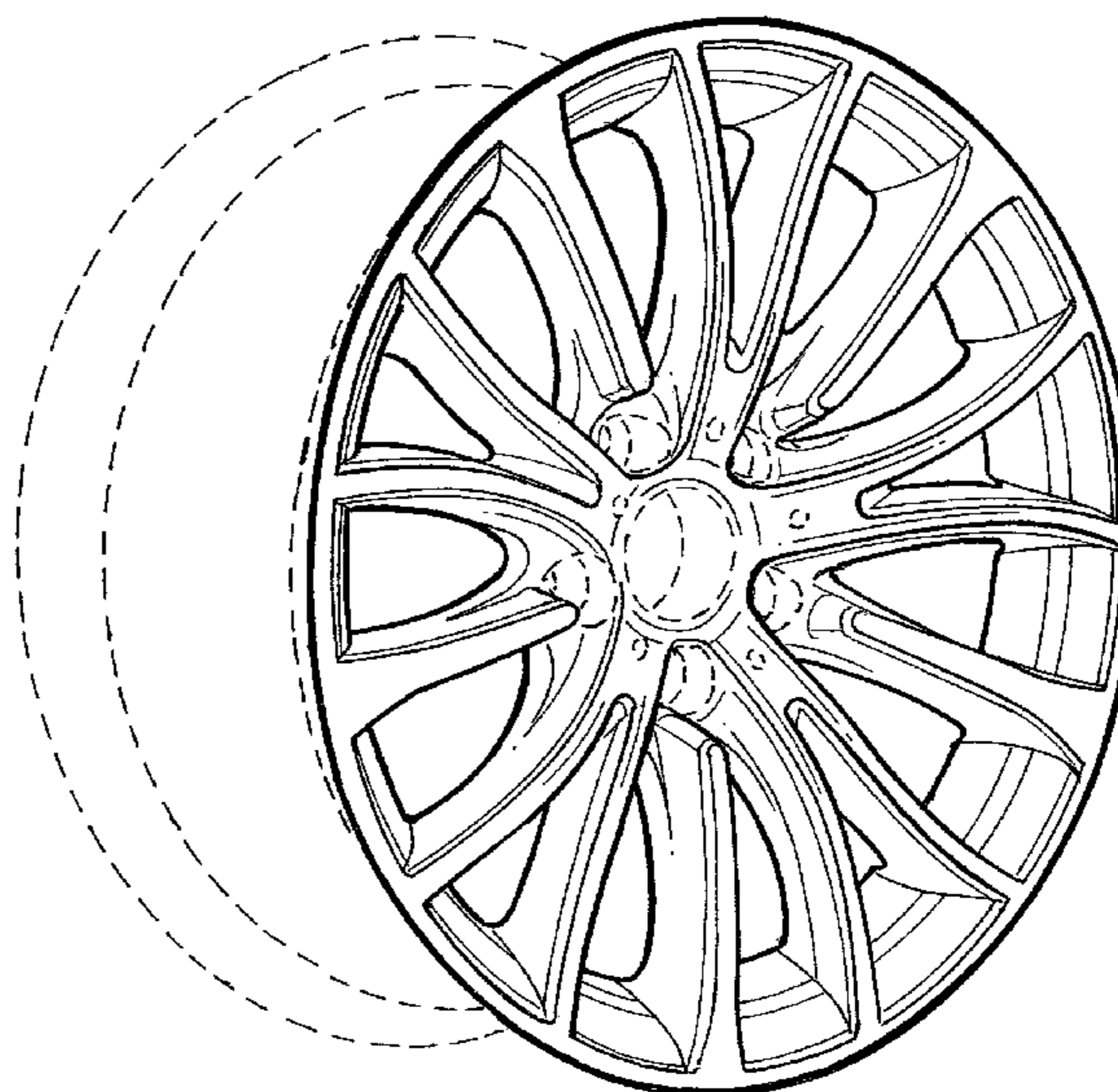
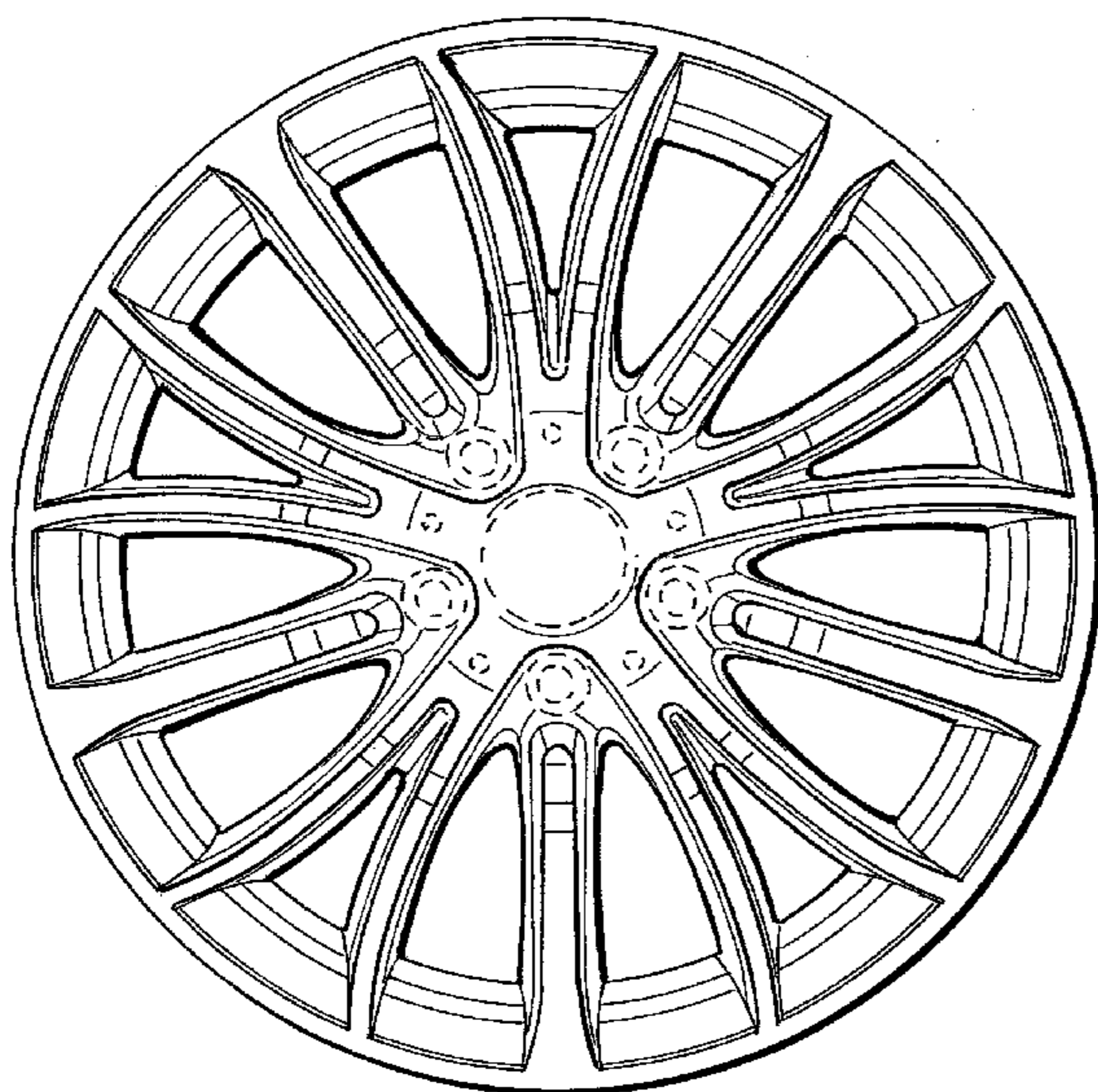
(57) **CLAIM**

The ornamental design for a wheel or wheel cover, as shown and described.

DESCRIPTION

FIG. 1 is a front view of a wheel or wheel cover according to my design; and,
FIG. 2 is a perspective view thereof.
The broken line showing of the rear of the wheel and the bolt holes and center opening in the central hub area is included for the purpose of illustrating environment and forms no part of the claimed design.

1 Claim, 1 Drawing Sheet



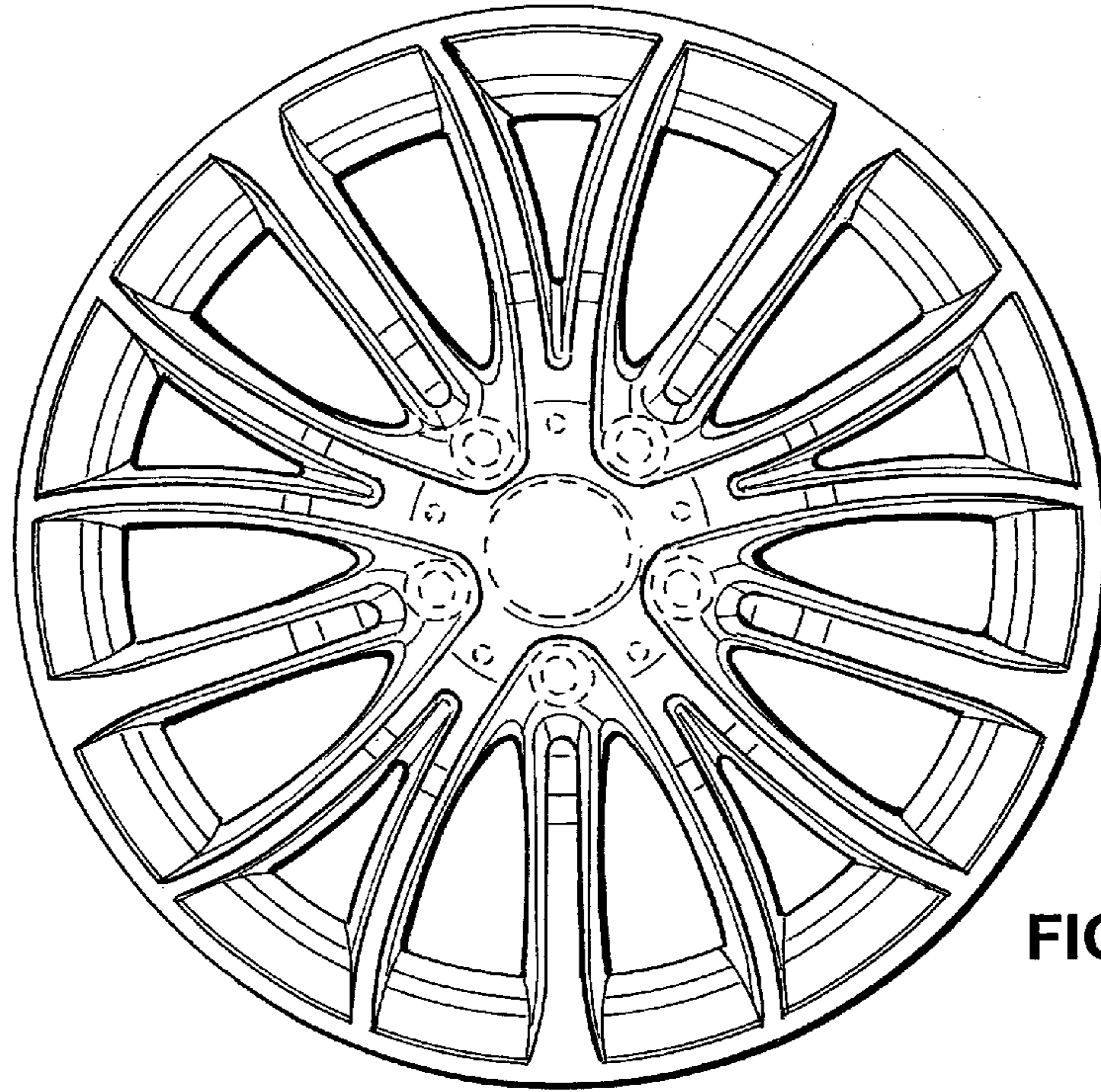


FIG. 1

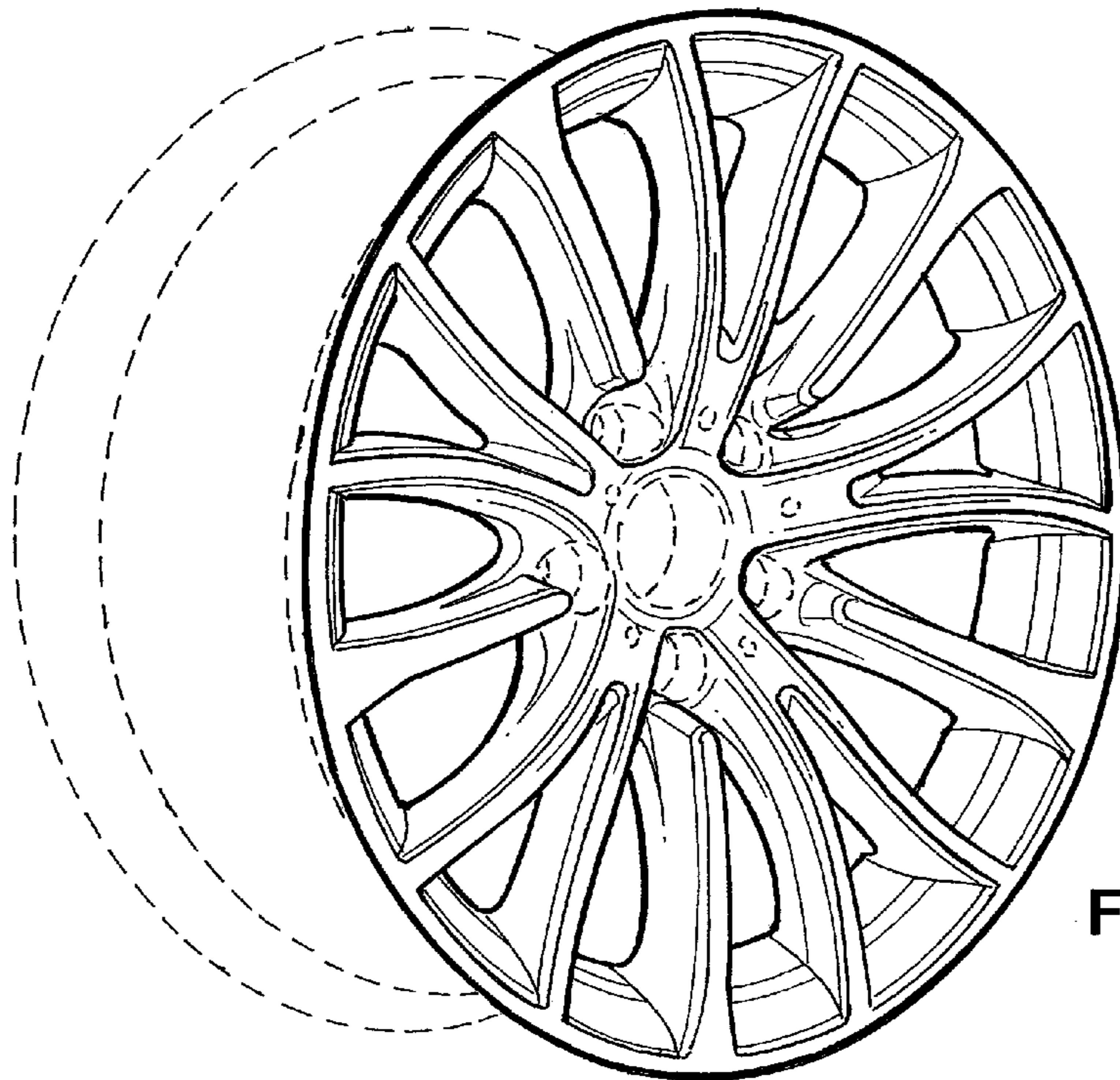


FIG. 2