



US00D671479S

(12) **United States Design Patent**
Gonser

(10) **Patent No.:** **US D671,479 S**

(45) **Date of Patent:** **** Nov. 27, 2012**

(54) **WHEEL OR WHEEL COVER**

(75) **Inventor:** **Theo Gonser**, Munich (DE)

(73) **Assignee:** **Bayerische Motoren Werke Aktiengesellschaft**, Munich (DE)

(**) **Term:** **14 Years**

(21) **Appl. No.:** **29/417,649**

(22) **Filed:** **Apr. 6, 2012**

(30) **Foreign Application Priority Data**

Oct. 7, 2011 (DE) 402011005029

(51) **LOC (9) Cl.** **12-16**

(52) **U.S. Cl.** **D12/209**

(58) **Field of Classification Search** D12/204-213;
301/37.101, 64.101, 65, 64.201

See application file for complete search history.

(56) **References Cited**

U.S. PATENT DOCUMENTS

D392,239 S *	3/1998	Cullen	D12/211
D402,612 S *	12/1998	Nishida	D12/209
D415,991 S *	11/1999	Wang	D12/211
D416,531 S	11/1999	Gabath	
D450,288 S *	11/2001	Lee	D12/209
D477,556 S *	7/2003	Koch	D12/211
D486,772 S	2/2004	Warming	
D504,647 S	5/2005	Leclercq	
D508,007 S *	8/2005	Koch	D12/211
D513,728 S *	1/2006	Yazawa et al.	D12/211
D525,184 S *	7/2006	Huet	D12/211
D535,935 S *	1/2007	Scheu	D12/211
D537,026 S	2/2007	Nordmann	
D567,167 S	4/2008	Forster	
D577,322 S *	9/2008	Scheu	D12/209
D584,211 S *	1/2009	Farny	D12/211

D585,354 S	1/2009	Powell et al.	
D617,249 S *	6/2010	Juergens et al.	D12/211
D617,717 S *	6/2010	Nordmann	D12/211
D619,071 S *	7/2010	Christensen et al.	D12/211
D620,870 S	8/2010	Powell	
D620,871 S *	8/2010	Juergens et al.	D12/211
D622,197 S *	8/2010	Zhao	D12/209
D628,948 S *	12/2010	Chung	D12/211
D635,077 S *	3/2011	Nordmann	D12/209
D639,225 S	6/2011	Forschner	
D639,715 S *	6/2011	Furst et al.	D12/209

FOREIGN PATENT DOCUMENTS

DE	M8908658.9	8/1990
DE	M9805818.5	2/1999
DE	40202745.0	7/2002
EM	000065966-0004	9/2004
EM	000440813-0005	1/2006
EM	000735758-0006	7/2007
EM	000934468-0003	10/2009
EM	001772922-0014	10/2010
EM	001636978-0018	11/2010

* cited by examiner

Primary Examiner — Stacia Cadmus

(74) *Attorney, Agent, or Firm* — Crowell & Moring LLP

(57) **CLAIM**

The ornamental design for a wheel or wheel cover, as shown and described.

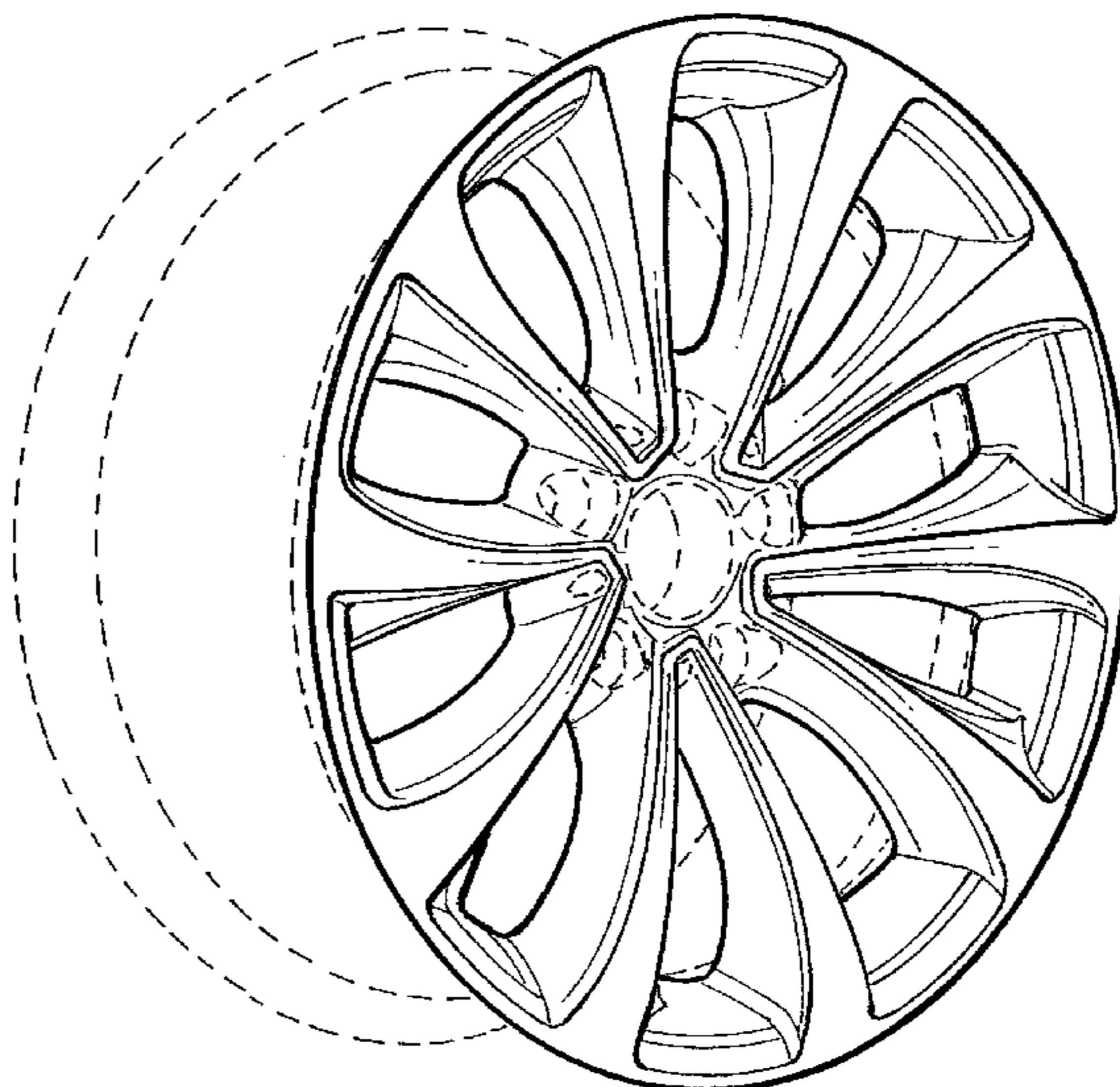
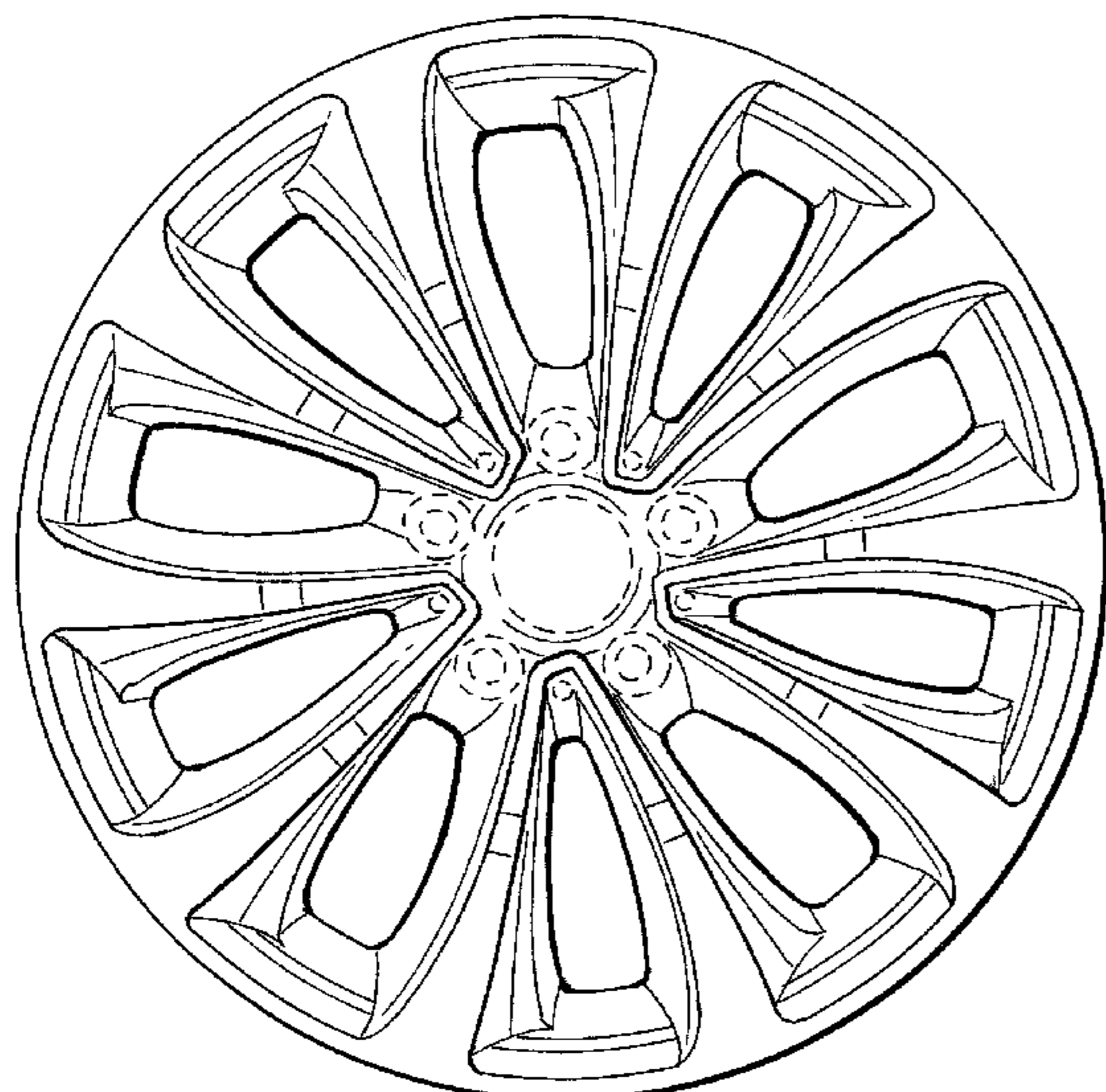
DESCRIPTION

FIG. 1 is a front view of a wheel or wheel cover according to my design; and,

FIG. 2 is a perspective view thereof.

The broken line showing of the rear of the wheel and the bolt holes and center opening in the central hub area is included for the purpose of illustrating environment and forms no part of the claimed design.

1 Claim, 1 Drawing Sheet



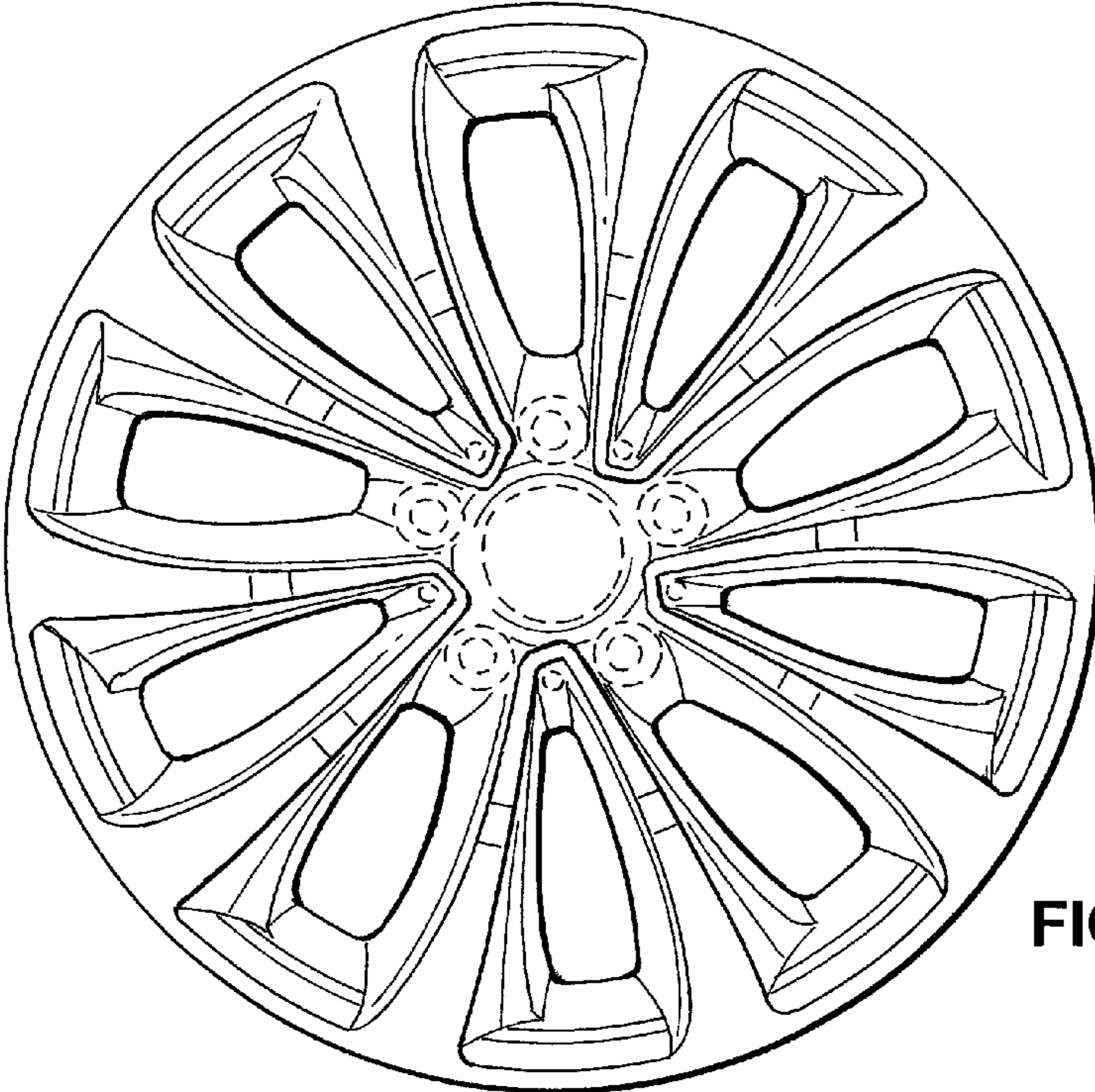


FIG. 1

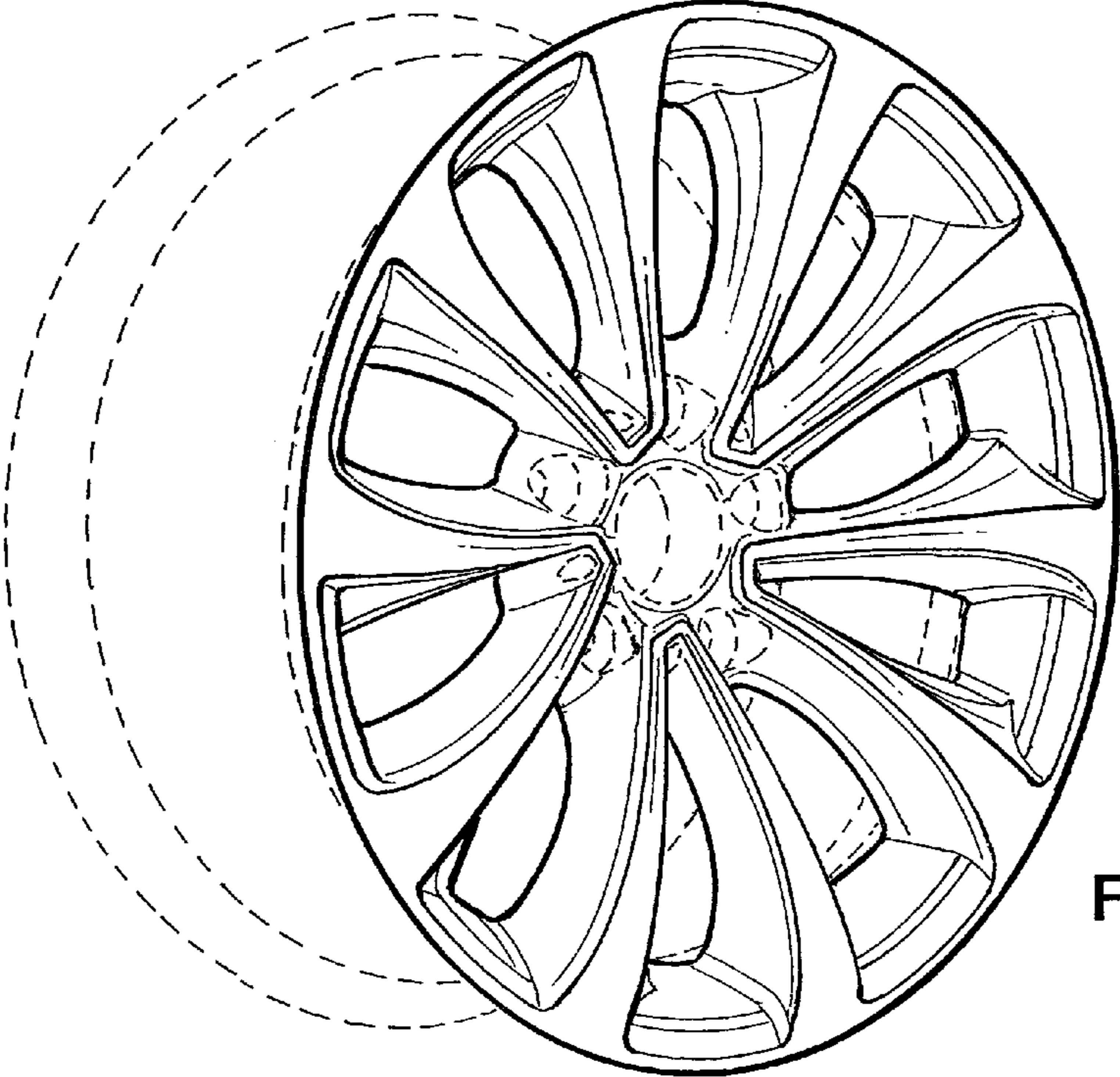


FIG. 2