



US00D671477S

(12) **United States Design Patent**
Juergens et al.

(10) **Patent No.:** **US D671,477 S**
(45) **Date of Patent:** **** Nov. 27, 2012**

(54) **WHEEL OR WHEEL COVER**
(75) Inventors: **Dirk Juergens**, Munich (DE); **Rainer Mueller**, Munich (DE)
(73) Assignee: **Bayerische Motoren Werke Aktiengesellschaft**, Munich (DE)

D617,243 S 6/2010 Juergens et al.
D617,712 S 6/2010 Juergens et al.
D618,151 S * 6/2010 Junker D12/209
D618,152 S * 6/2010 Juergens et al. D12/209
D626,052 S 10/2010 Majdandzic
D627,700 S * 11/2010 Ectors et al. D12/209
D649,501 S * 11/2011 Platto et al. D12/209
D649,503 S * 11/2011 Platto et al. D12/209
D658,102 S * 4/2012 Nissl D12/209

(**) Term: **14 Years**

FOREIGN PATENT DOCUMENTS

(21) Appl. No.: **29/417,646**

EM 000380852-0003 10/2005
EM 000577945-0002 9/2006
EM 000735758-0006 7/2007
EM 000997572-0002 10/2008
EM 001598277-0006 1/2010
EM 001621541-0001 8/2010
EM 001684507-0004 10/2010
EM 001636978-0003 11/2010

(22) Filed: **Apr. 6, 2012**

(30) **Foreign Application Priority Data**

Oct. 7, 2011 (DE) 402011005029

(51) **LOC (9) Cl.** **12-16**

(52) **U.S. Cl.** **D12/209**

(58) **Field of Classification Search** D12/204-213;
301/37.101, 64.101, 65, 64.201

See application file for complete search history.

* cited by examiner

Primary Examiner — Stacia Cadmus

(74) *Attorney, Agent, or Firm* — Crowell & Moring LLP

(56) **References Cited**

(57) **CLAIM**

The ornamental design for a wheel or wheel cover, as shown and described.

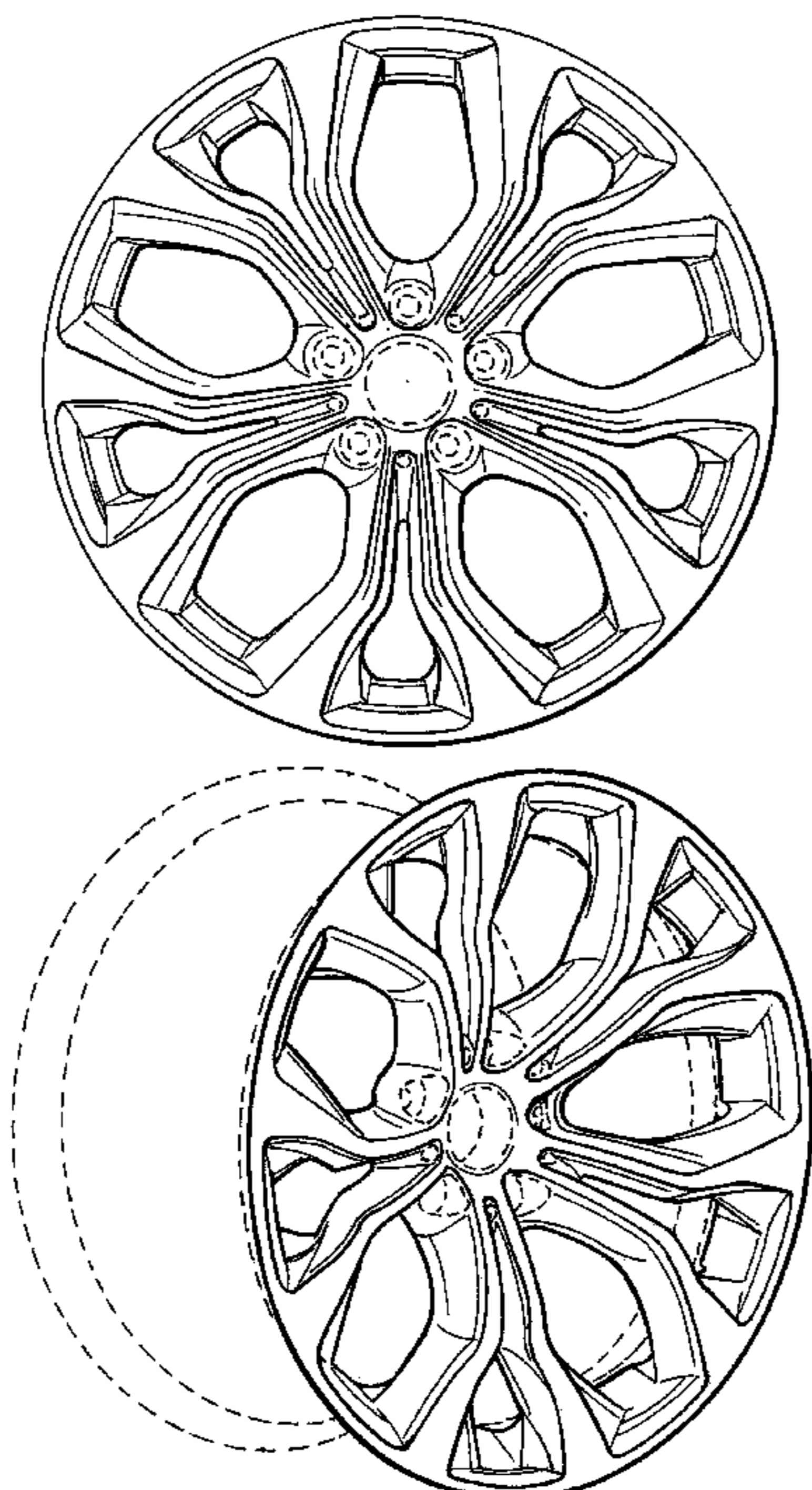
U.S. PATENT DOCUMENTS

D496,318 S * 9/2004 Cheng D12/209
D509,176 S * 9/2005 Kataoka D12/209
D512,007 S * 11/2005 Sze D12/209
D522,433 S 6/2006 Szavits
D528,958 S * 9/2006 Kim D12/209
D538,216 S 3/2007 Sycha
D560,585 S * 1/2008 Blasi D12/209
D567,167 S 4/2008 Forster
D576,936 S * 9/2008 Imai D12/209
D593,018 S 5/2009 Juergens et al.
D593,920 S * 6/2009 Juergens et al. D12/209
D614,558 S 4/2010 Luciani et al.

DESCRIPTION

FIG. 1 is a front view of a wheel or wheel cover according to our design; and,
FIG. 2 is a perspective view thereof.
The broken line showing of the rear of the wheel and the bolt holes and center opening in the central hub area is included for the purpose of illustrating environment and forms no part of the claimed design.

1 Claim, 1 Drawing Sheet



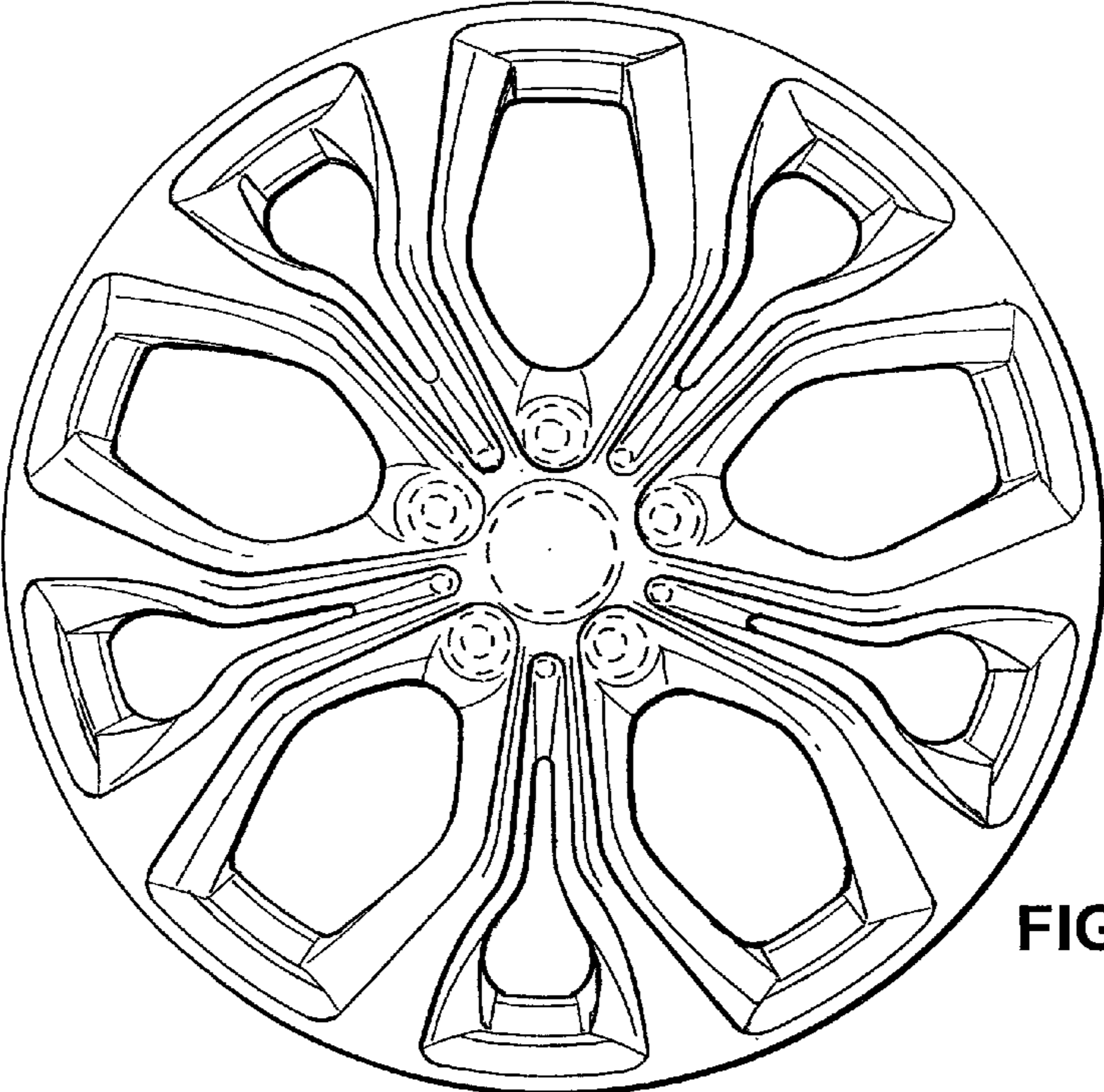


FIG. 1

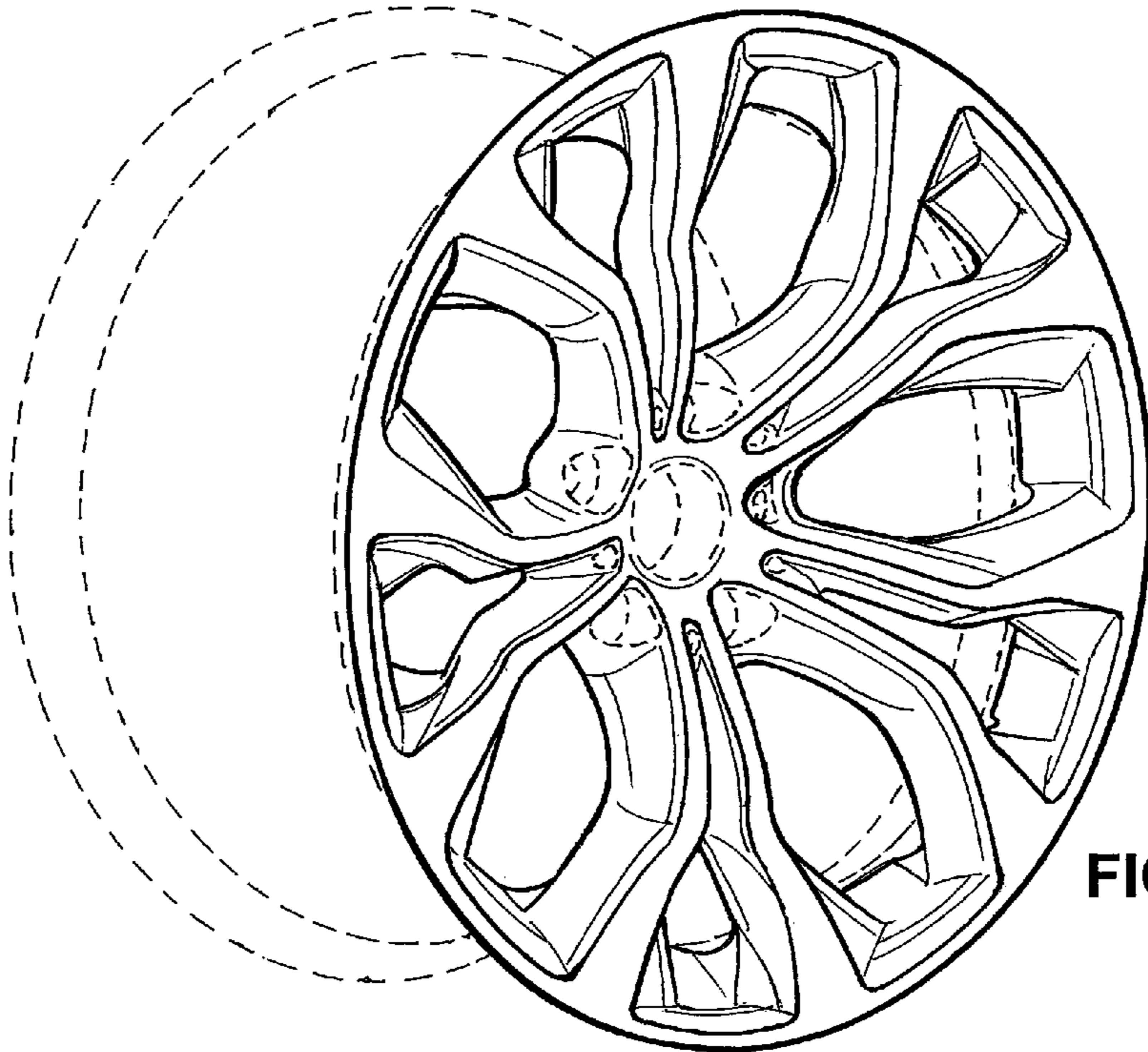


FIG. 2