

US00D671476S

(12) **United States Design Patent**
Pinel

(10) **Patent No.:** **US D671,476 S**
(45) **Date of Patent:** **** Nov. 27, 2012**

(54) **WHEEL OR WHEEL COVER**

(75) Inventor: **Thomas Pinel**, Ingolstadt (DE)

(73) Assignee: **Bayerische Motoren Werke Aktiengesellschaft**, Munich (DE)

(**) Term: **14 Years**

(21) Appl. No.: **29/417,644**

(22) Filed: **Apr. 6, 2012**

(30) **Foreign Application Priority Data**

Oct. 7, 2011 (DE) 402011005029

(51) **LOC (9) Cl.** **12-16**

(52) **U.S. Cl.** **D12/209**

(58) **Field of Classification Search** D12/204-213;
301/37.101, 64.101, 65, 64.201
See application file for complete search history.

(56) **References Cited**

U.S. PATENT DOCUMENTS

D475,337 S *	6/2003	Kataoka	D12/209
D494,917 S *	8/2004	Pollmann	D12/211
D513,727 S *	1/2006	Gallert	D12/211
D567,167 S	4/2008	Forster		
D568,800 S	5/2008	Huet		
D583,739 S *	12/2008	Gallert	D12/209
D583,742 S *	12/2008	Juergens et al.	D12/211
D597,015 S	7/2009	Juergens et al.		
D612,787 S *	3/2010	Juergens et al.	D12/209
D617,716 S *	6/2010	Lamm et al.	D12/211

D620,870 S *	8/2010	Powell	D12/211
D624,862 S *	10/2010	Zhao	D12/209
D635,499 S *	4/2011	Nissl	D12/211
D638,768 S	5/2011	Nissl		
D655,659 S *	3/2012	Schweizer	D12/209
D658,107 S	4/2012	Pollmann et al.		
D659,628 S *	5/2012	Pollmann	D12/211

FOREIGN PATENT DOCUMENTS

DE	40104441.6	9/2001
EM	000735758-0006	7/2007
EM	000754593-0005	9/2007
EM	001049324-0001	9/2009
EM	001772922-0016	10/2010
EM	001908807-0006	8/2011

* cited by examiner

Primary Examiner — Stacia Cadmus

(74) *Attorney, Agent, or Firm* — Crowell & Moring LLP

(57) **CLAIM**

The ornamental design for a wheel or wheel cover, as shown and described.

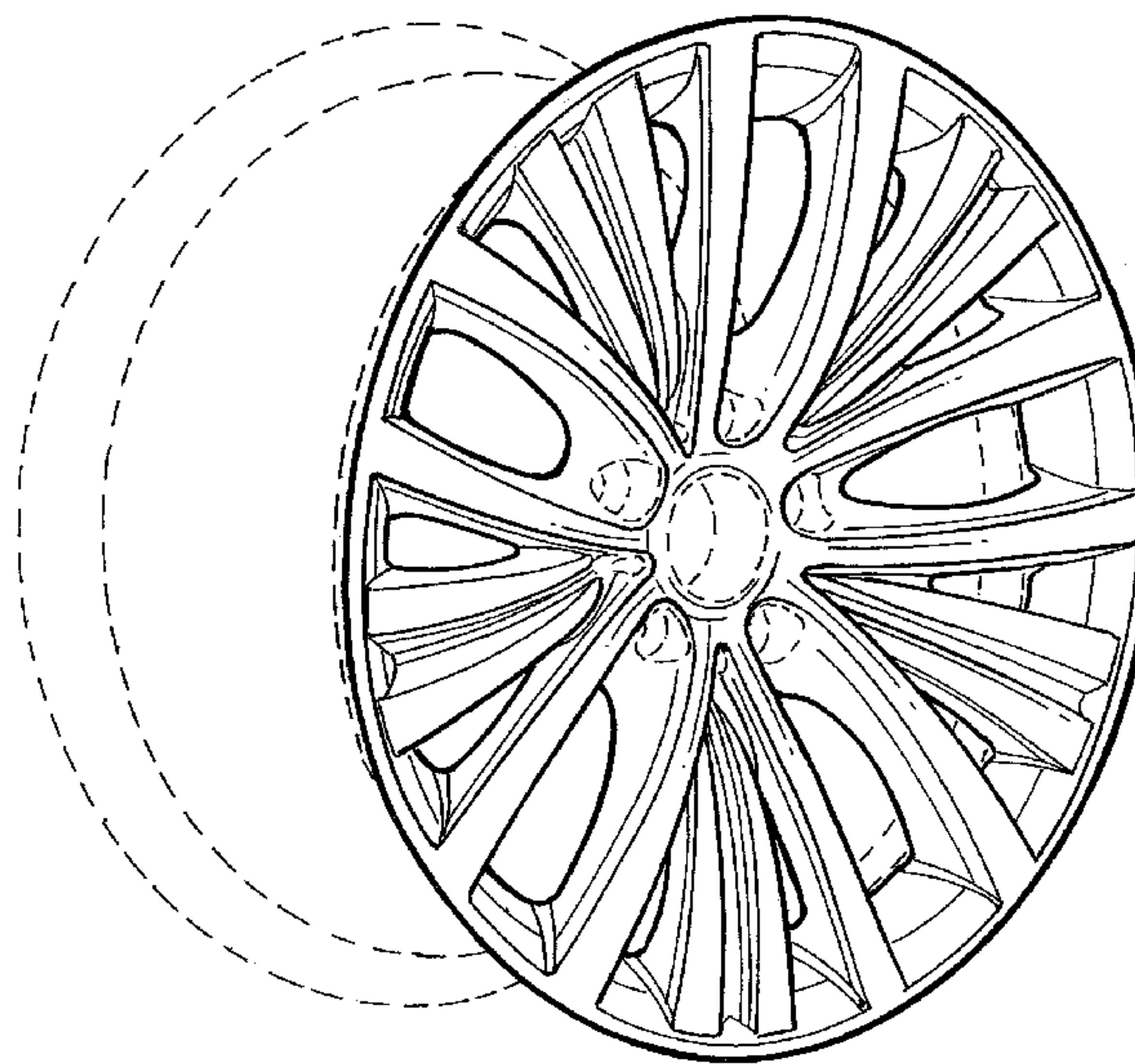
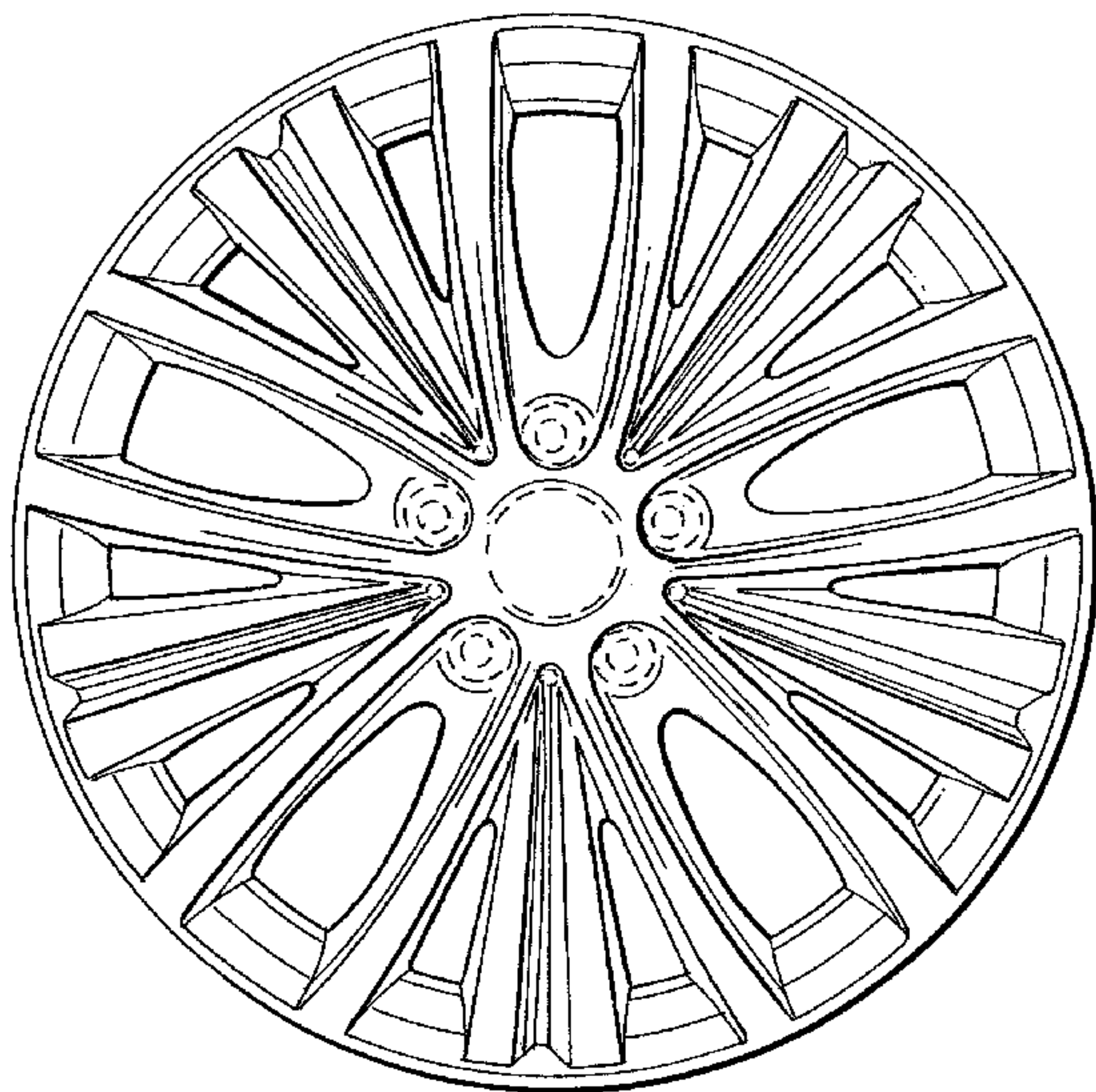
DESCRIPTION

FIG. 1 is a front view of a wheel or wheel cover according to my design; and,

FIG. 2 is a perspective view thereof.

The broken line showing of the rear of the wheel and the bolt holes and center opening in the central hub area is included for the purpose of illustrating environment and forms no part of the claimed design.

1 Claim, 1 Drawing Sheet



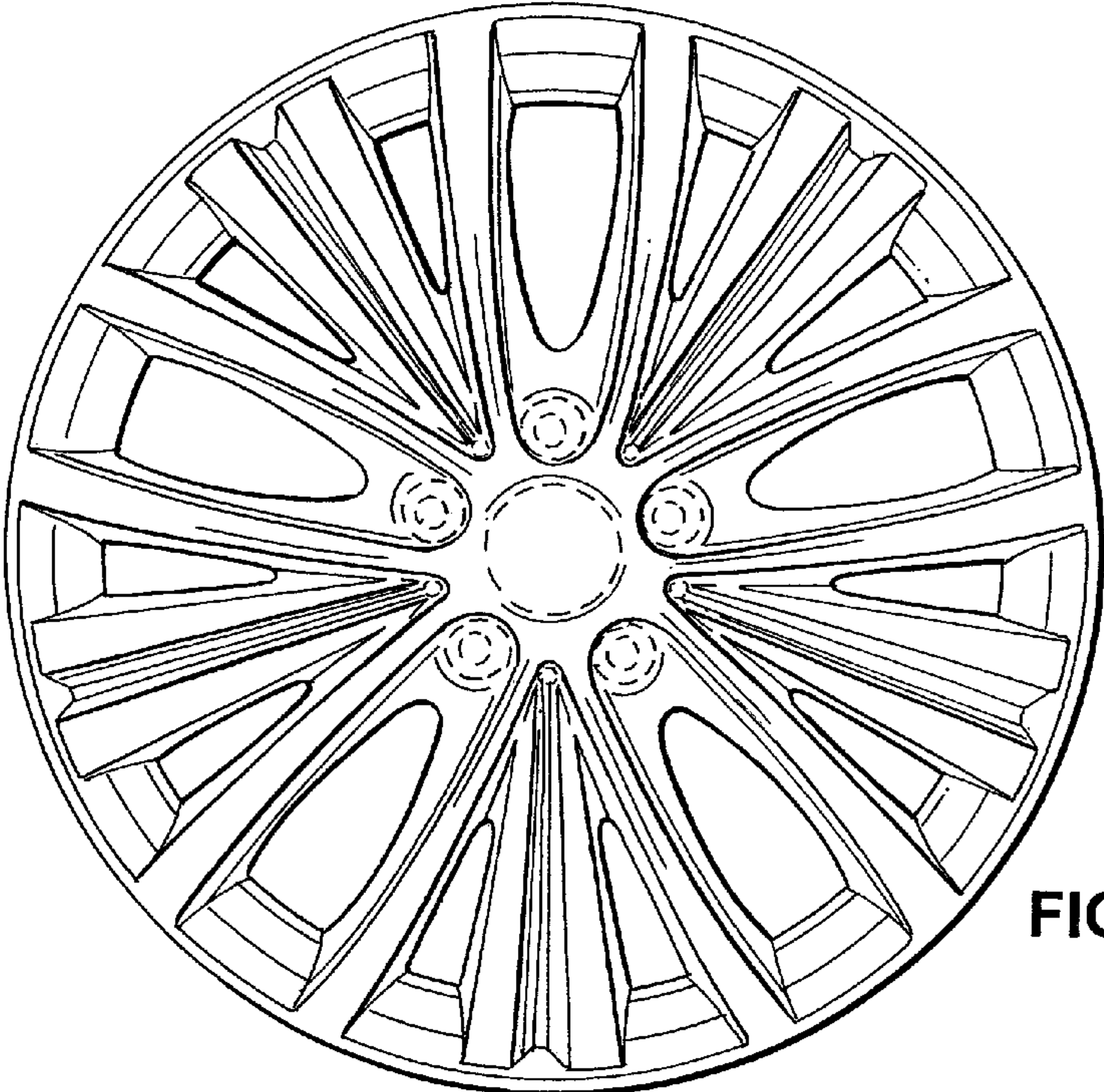


FIG. 1

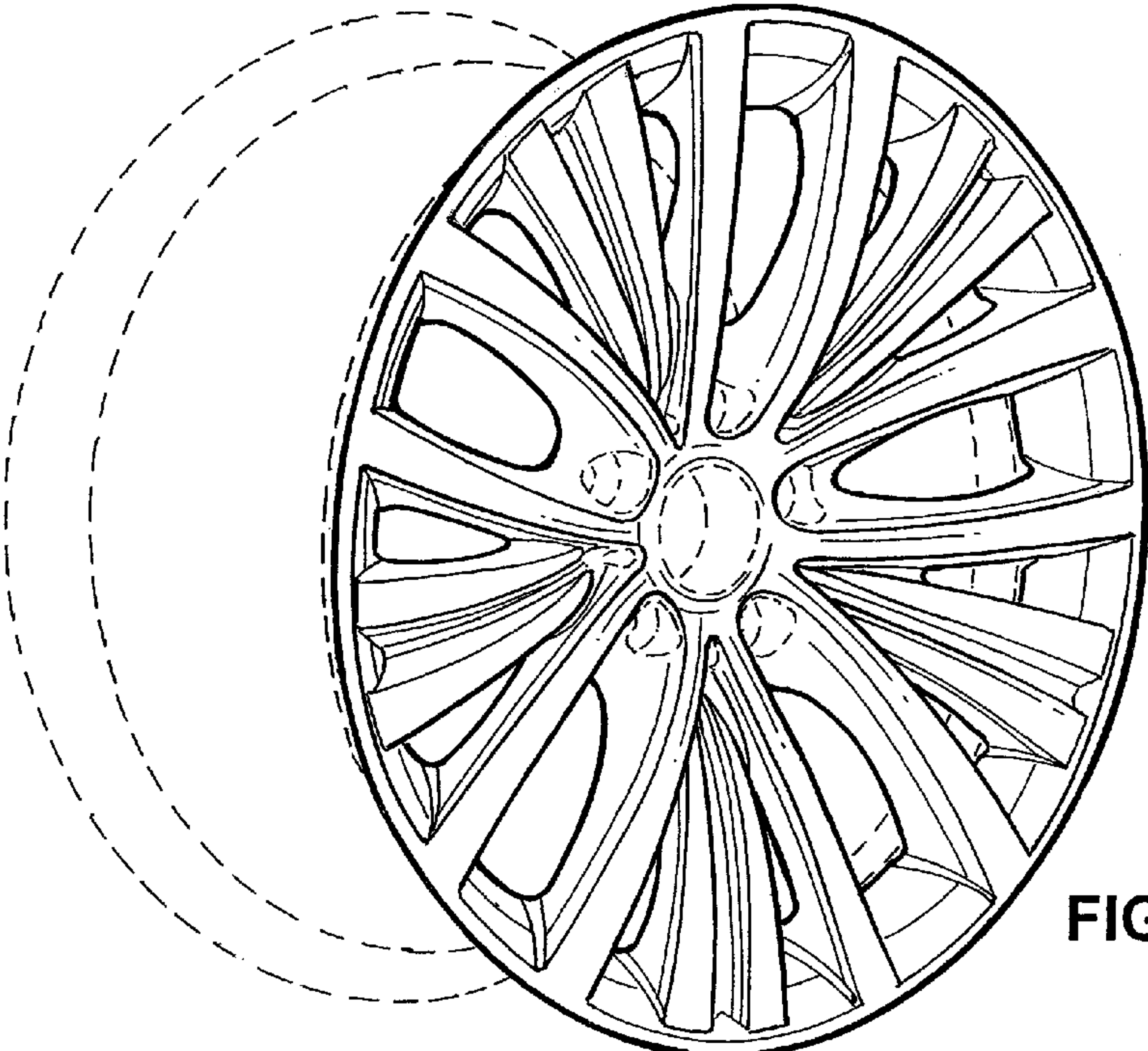


FIG. 2