

US00D671475S

(12) **United States Design Patent**
Juergens et al.

(10) **Patent No.:** **US D671,475 S**
(45) **Date of Patent:** **** Nov. 27, 2012**

(54) **WHEEL OR WHEEL COVER**

(75) Inventors: **Dirk Juergens**, Munich (DE); **Rainer Mueller**, Munich (DE)

(73) Assignee: **Bayerische Motoren Werke Aktiengesellschaft**, Munich (DE)

(**) Term: **14 Years**

(21) Appl. No.: **29/417,641**

(22) Filed: **Apr. 6, 2012**

(30) **Foreign Application Priority Data**

Oct. 7, 2011 (DE) 40 2011 005 029

(51) **LOC (9) Cl.** **12-16**

(52) **U.S. Cl.** **D12/209**

(58) **Field of Classification Search** D12/204-213;
301/37.101, 64.101, 65, 64.201

See application file for complete search history.

(56) **References Cited**

U.S. PATENT DOCUMENTS

D398,276 S *	9/1998	Neeper	D12/209
D405,043 S *	2/1999	Moreno	D12/209
D430,842 S *	9/2000	Chinellato	D12/209
D435,004 S *	12/2000	Noriega	D12/209
D481,345 S *	10/2003	O'Connell	D12/211
D492,235 S	6/2004	Nordmann	
D538,216 S	3/2007	Sycha	

D567,167 S	4/2008	Forster	
D594,800 S *	6/2009	Blasi	D12/209
D631,812 S	2/2011	Juergens et al.	
D635,077 S *	3/2011	Nordmann	D12/209
D635,904 S *	4/2011	Futschik et al.	D12/209
D655,657 S *	3/2012	Juergens et al.	D12/209
D660,767 S *	5/2012	von Holzhausen et al. .	D12/209

FOREIGN PATENT DOCUMENTS

DE	M8908658.9	8/1990
DE	40104441.6	9/2001
EM	000577945-0002	9/2006
EM	000735758-0006	7/2007
EM	001635897-0002	10/2010
EM	001772922-0017	10/2010

* cited by examiner

Primary Examiner — Stacia Cadmus

(74) *Attorney, Agent, or Firm* — Crowell & Moring LLP

(57) **CLAIM**

The ornamental design for a wheel or wheel cover, as shown and described.

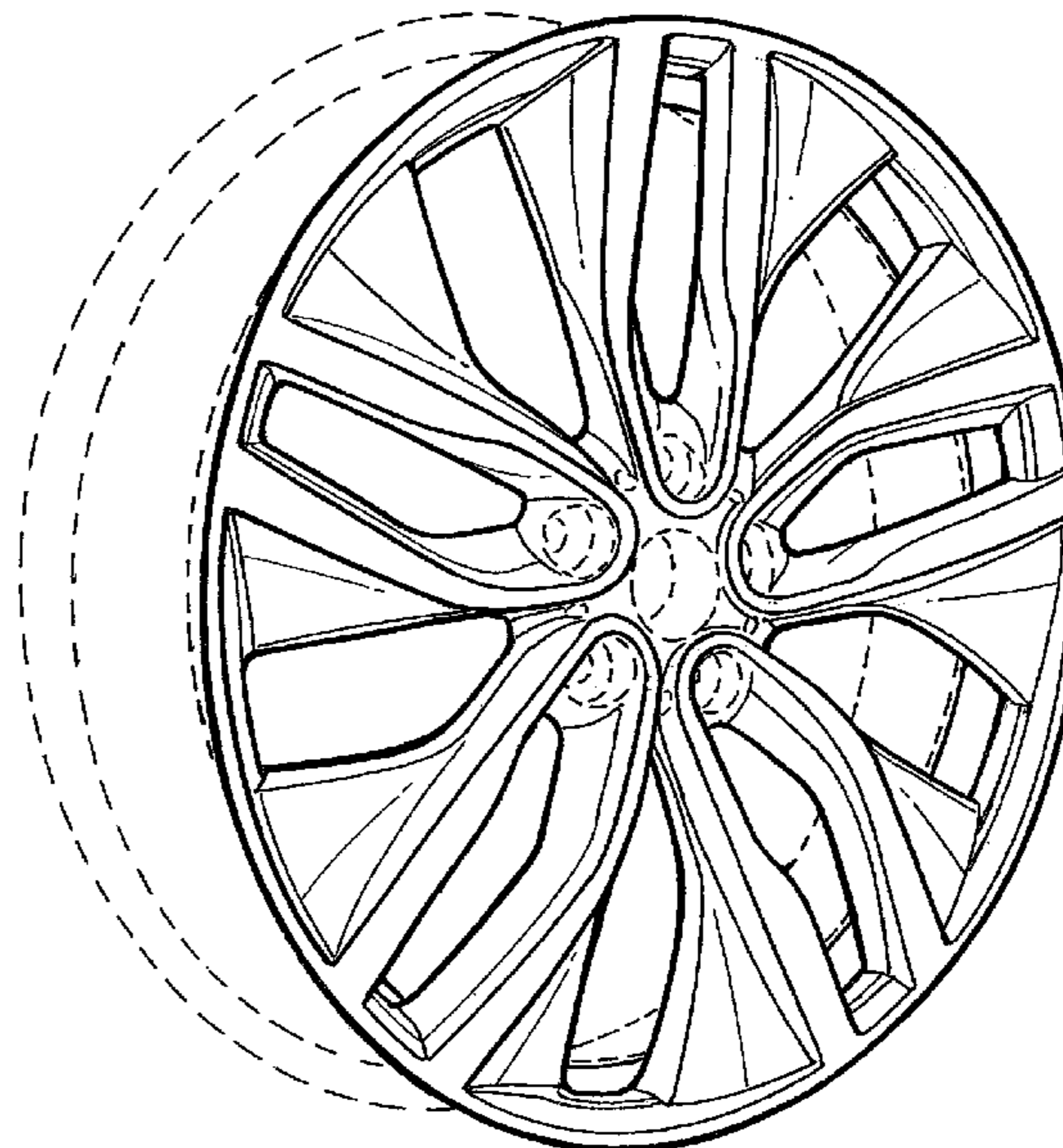
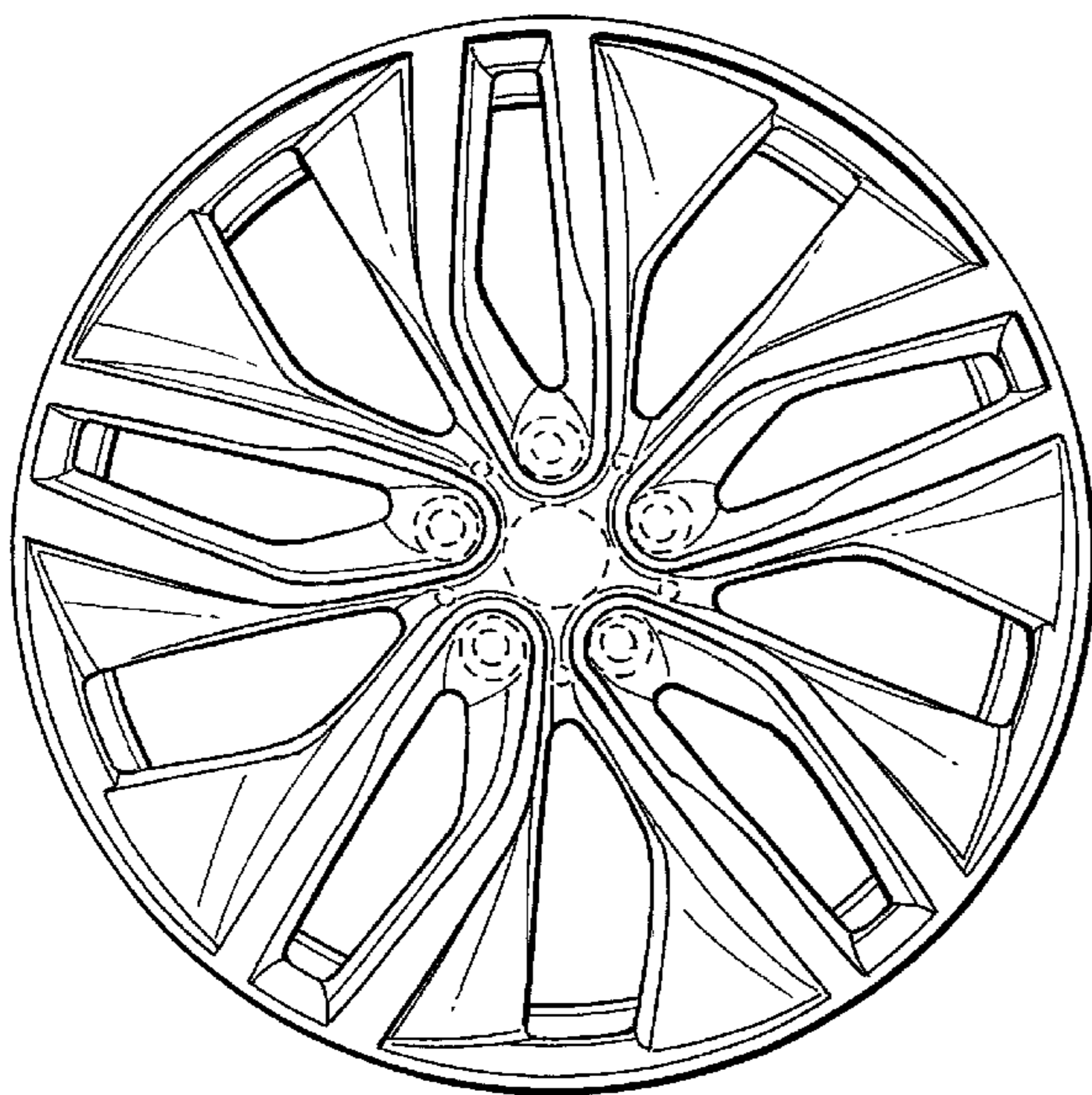
DESCRIPTION

FIG. 1 is a front view of a wheel or wheel cover according to our design; and,

FIG. 2 is a perspective view thereof.

The broken line showing of the rear of the wheel and the bolt holes and center opening in the central hub area is included for the purpose of illustrating environment and forms no part of the claimed design.

1 Claim, 1 Drawing Sheet



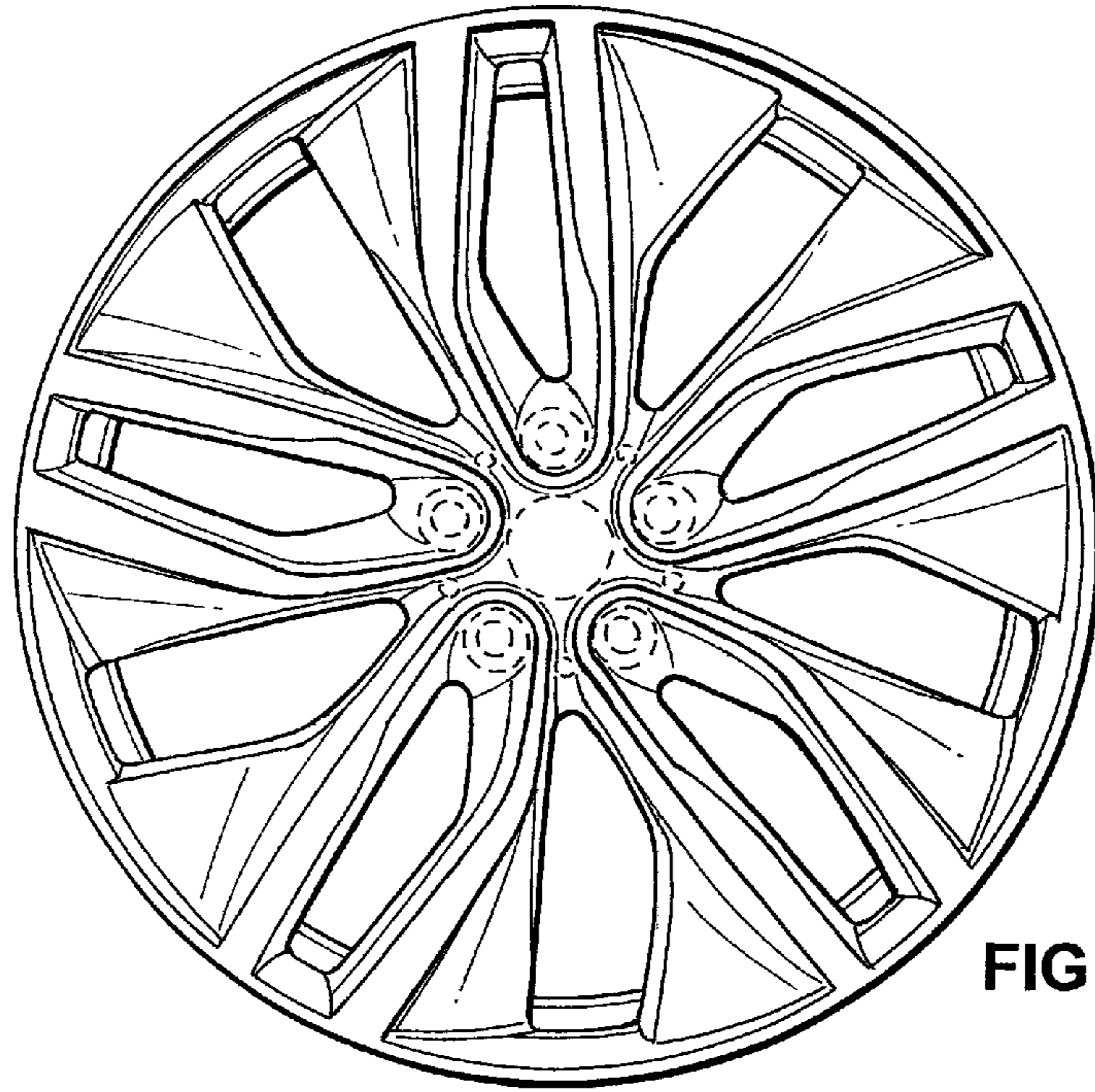


FIG. 1

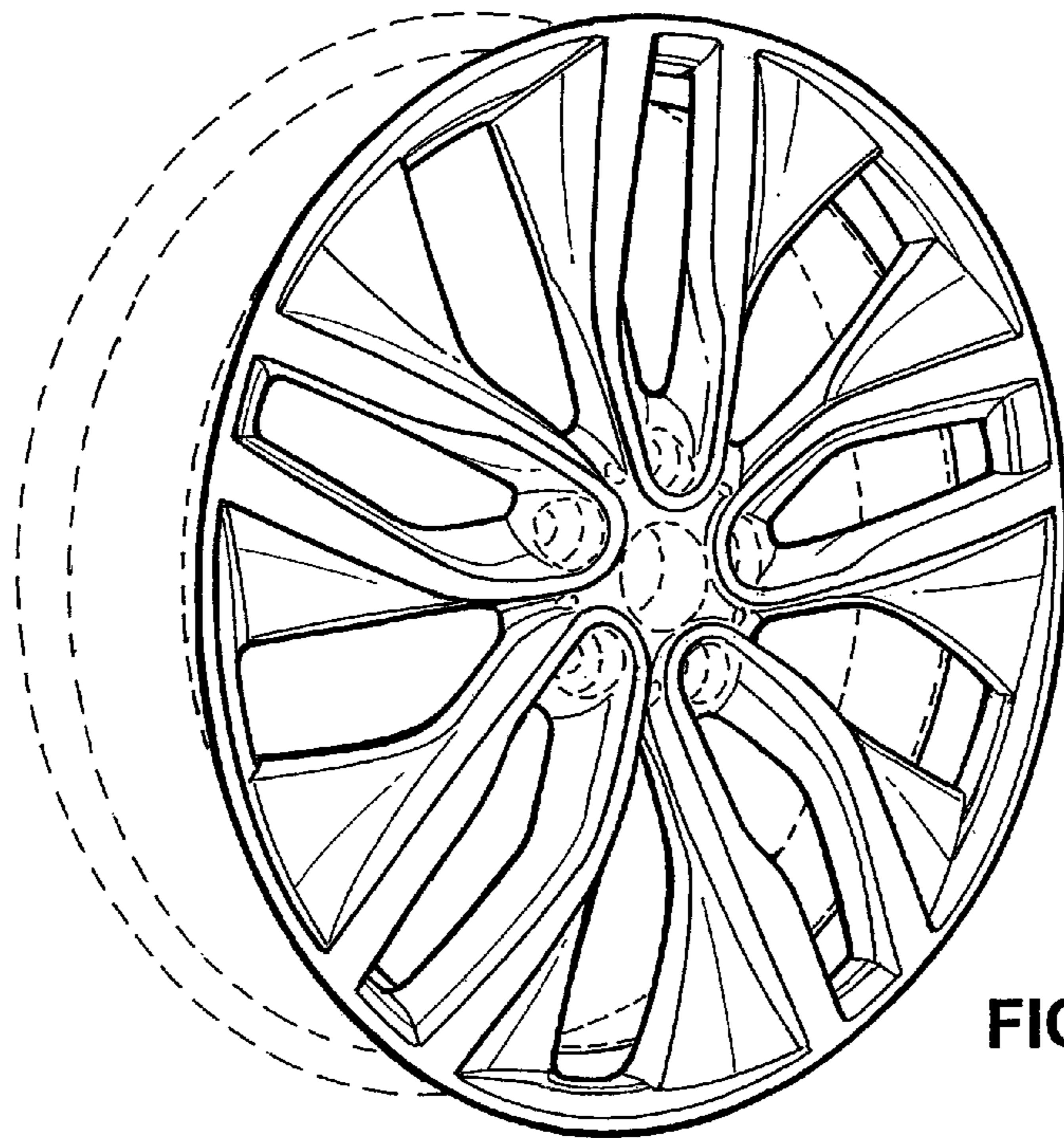


FIG. 2