

US00D671474S

(12) **United States Design Patent**
Juergens et al.

(10) **Patent No.:** **US D671,474 S**
(45) **Date of Patent:** **** Nov. 27, 2012**

(54) **WHEEL OR WHEEL COVER**

(75) Inventors: **Dirk Juergens**, Munich (DE); **Rainer Mueller**, Munich (DE)

(73) Assignee: **Bayerische Motoren Werke Aktiengesellschaft**, Munich (DE)

(**) Term: **14 Years**

(21) Appl. No.: **29/417,640**

(22) Filed: **Apr. 6, 2012**

(30) **Foreign Application Priority Data**

Oct. 7, 2011 (DE) 402011005029

(51) **LOC (9) Cl.** **12-16**

(52) **U.S. Cl.** **D12/209**

(58) **Field of Classification Search** D12/204-213;
301/37.101, 64.101, 65, 64.201

See application file for complete search history.

(56) **References Cited**

U.S. PATENT DOCUMENTS

- D425,470 S * 5/2000 Pfeiffer et al. D12/209
- D451,460 S * 12/2001 Arellano D12/209
- D567,167 S 4/2008 Forster
- D581,337 S * 11/2008 Juergens et al. D12/209
- D594,800 S 6/2009 Blasi

- D619,524 S * 7/2010 Gabath D12/209
- D619,951 S * 7/2010 Baum D12/209
- D631,812 S 2/2011 Juergens et al.
- D631,814 S * 2/2011 Baum D12/209
- D652,361 S * 1/2012 Forschner D12/209

FOREIGN PATENT DOCUMENTS

- DE M8908658.9 8/1990
- EM 000735758-0006 7/2007
- EM 001036552-0002 11/2009
- EM 001635897-0002 10/2010
- EM 001772922-0017 10/2010

* cited by examiner

Primary Examiner — Stacia Cadmus

(74) *Attorney, Agent, or Firm* — Crowell & Moring LLP

(57) **CLAIM**

The ornamental design for a wheel or wheel cover, as shown and described.

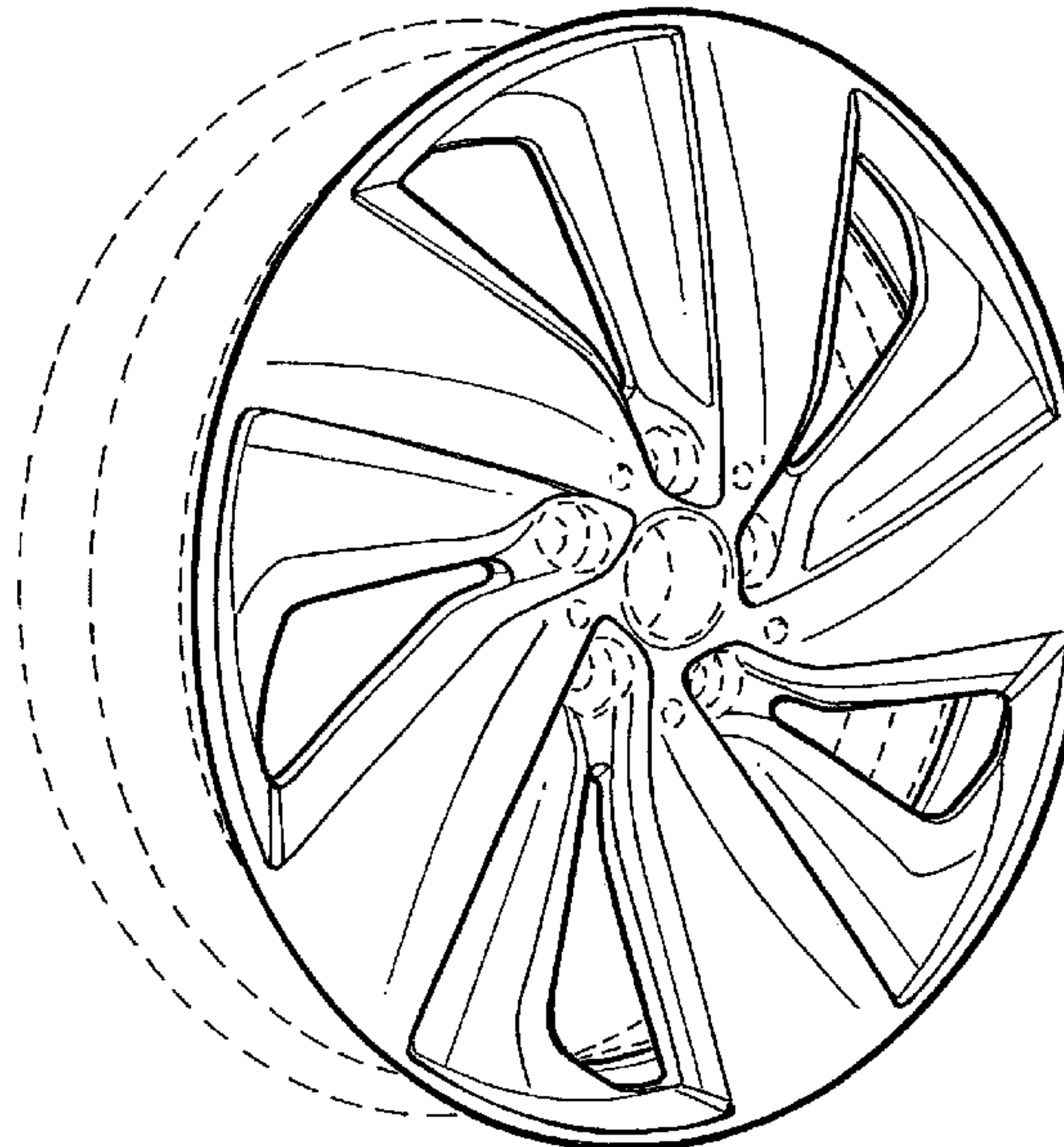
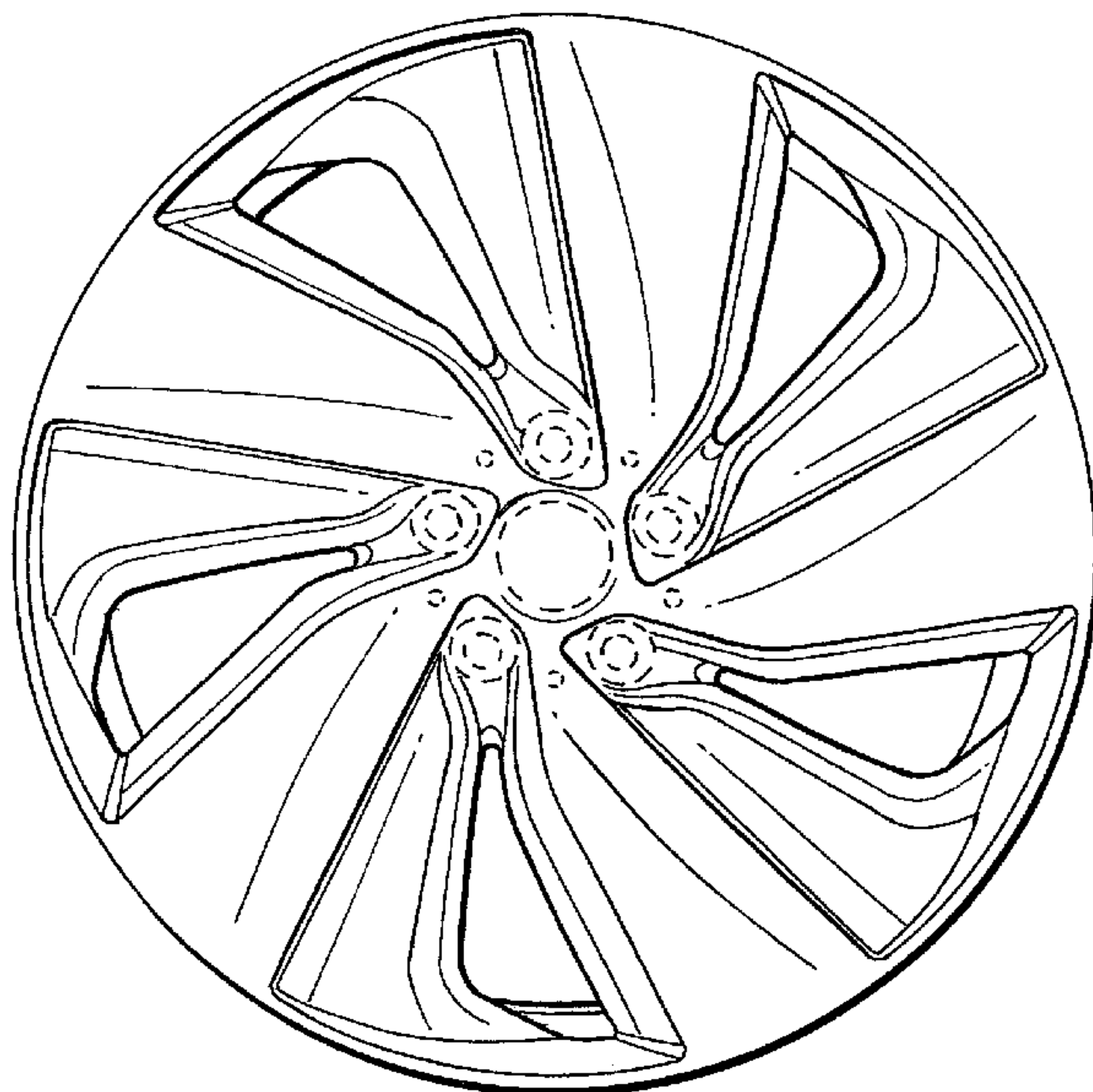
DESCRIPTION

FIG. 1 is a front view of a wheel or wheel cover according to our design; and,

FIG. 2 is a perspective view thereof.

The broken line showing of the rear of the wheel and the bolt holes and center opening in the central hub area is included for the purpose of illustrating environment and forms no part of the claimed design.

1 Claim, 1 Drawing Sheet



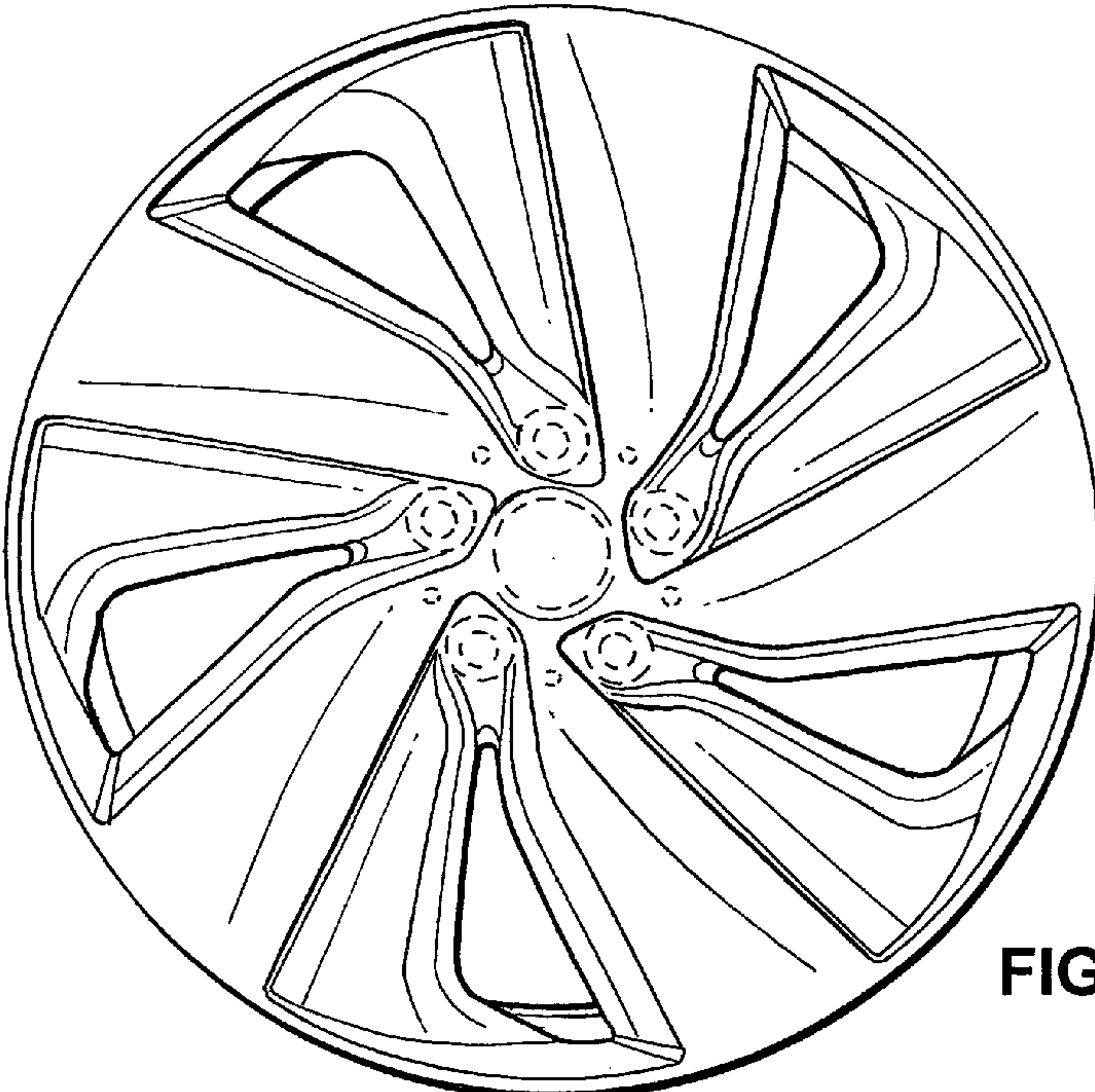


FIG. 1

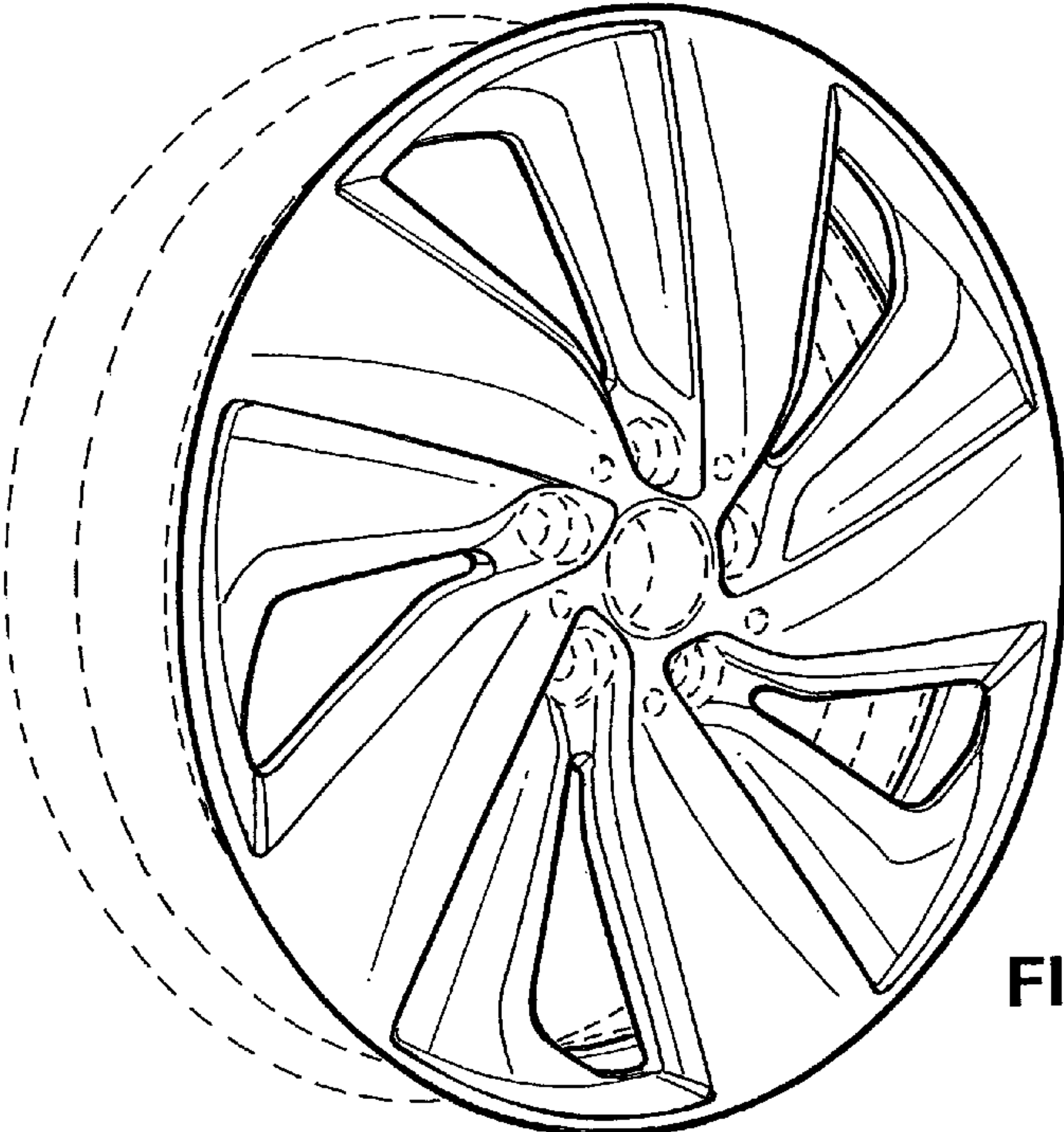


FIG. 2