

US00D671472S

(12) **United States Design Patent**  
**Pollmann**

(10) **Patent No.:** **US D671,472 S**

(45) **Date of Patent:** **\*\* Nov. 27, 2012**

(54) **WHEEL OR WHEEL COVER**

(75) Inventor: **Gert Pollmann**, Boehmfeld (DE)

(73) Assignee: **Bayerische Motoren Werke Aktiengesellschaft**, Munich (DE)

(\*\*) Term: **14 Years**

(21) Appl. No.: **29/417,548**

(22) Filed: **Apr. 5, 2012**

(30) **Foreign Application Priority Data**

Oct. 6, 2011 (DE) ..... 402011006237

(51) **LOC (9) Cl.** ..... **12-16**

(52) **U.S. Cl.** ..... **D12/209**

(58) **Field of Classification Search** ..... D12/204-213;  
301/37.101, 64.101, 65, 64.201

See application file for complete search history.

(56) **References Cited**

**U.S. PATENT DOCUMENTS**

D392,611 S *	3/1998	Echazabal et al.	.....	D12/211
D447,993 S *	9/2001	Neeper	.....	D12/211
D451,463 S *	12/2001	Murkett et al.	.....	D12/209
D456,333 S	4/2002	Pollmann		
D466,854 S *	12/2002	Kern	.....	D12/211
D475,337 S *	6/2003	Kataoka	.....	D12/209
D494,917 S *	8/2004	Pollmann	.....	D12/211
D499,371 S *	12/2004	Koch	.....	D12/211
D513,727 S *	1/2006	Gallert	.....	D12/211
D528,959 S *	9/2006	Sycha	.....	D12/209
D535,241 S *	1/2007	Kim	.....	D12/211
D566,642 S *	4/2008	Scheu	.....	D12/211
D567,167 S	4/2008	Forster		
D568,800 S	5/2008	Huet		
D583,739 S *	12/2008	Gallert	.....	D12/209
D583,742 S	12/2008	Juergens et al.		
D593,019 S *	5/2009	Tirado	.....	D12/209

D598,834 S	8/2009	Juergens et al.		
D617,716 S *	6/2010	Lamm et al.	.....	D12/211
D618,607 S *	6/2010	Hilpert	.....	D12/211
D620,870 S *	8/2010	Powell	.....	D12/211
D624,862 S *	10/2010	Zhao	.....	D12/209
D638,768 S	5/2011	Nissl		
D643,795 S *	8/2011	Nissl	.....	D12/211
D658,108 S *	4/2012	Fetherston et al.	.....	D12/211
D663,249 S *	7/2012	Zhang	.....	D12/211

**FOREIGN PATENT DOCUMENTS**

DE	40010998.0	3/2001
EM	000735758-0004	7/2007
EM	000735758-0006	7/2007
EM	000754593-0005	9/2007
EM	000936281-0004	11/2009
EM	001772922-0016	10/2010
EM	001846346-0005	4/2011

\* cited by examiner

*Primary Examiner* — Stacia Cadmus

(74) *Attorney, Agent, or Firm* — Crowell & Moring LLP

(57) **CLAIM**

The ornamental design for a wheel or wheel cover, as shown and described.

**DESCRIPTION**

This application contains subject matter related to the following co-pending U.S. design patent application:

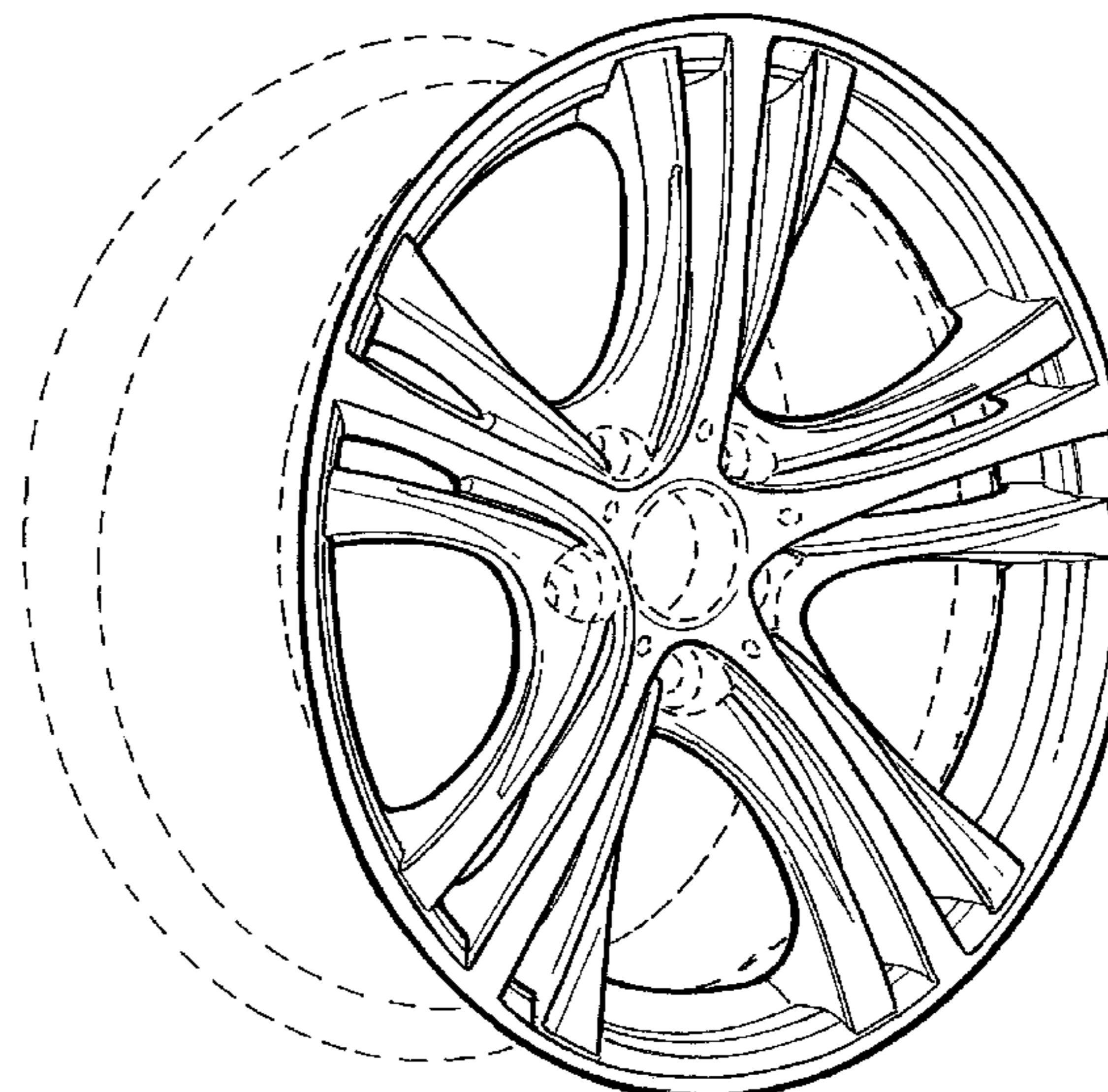
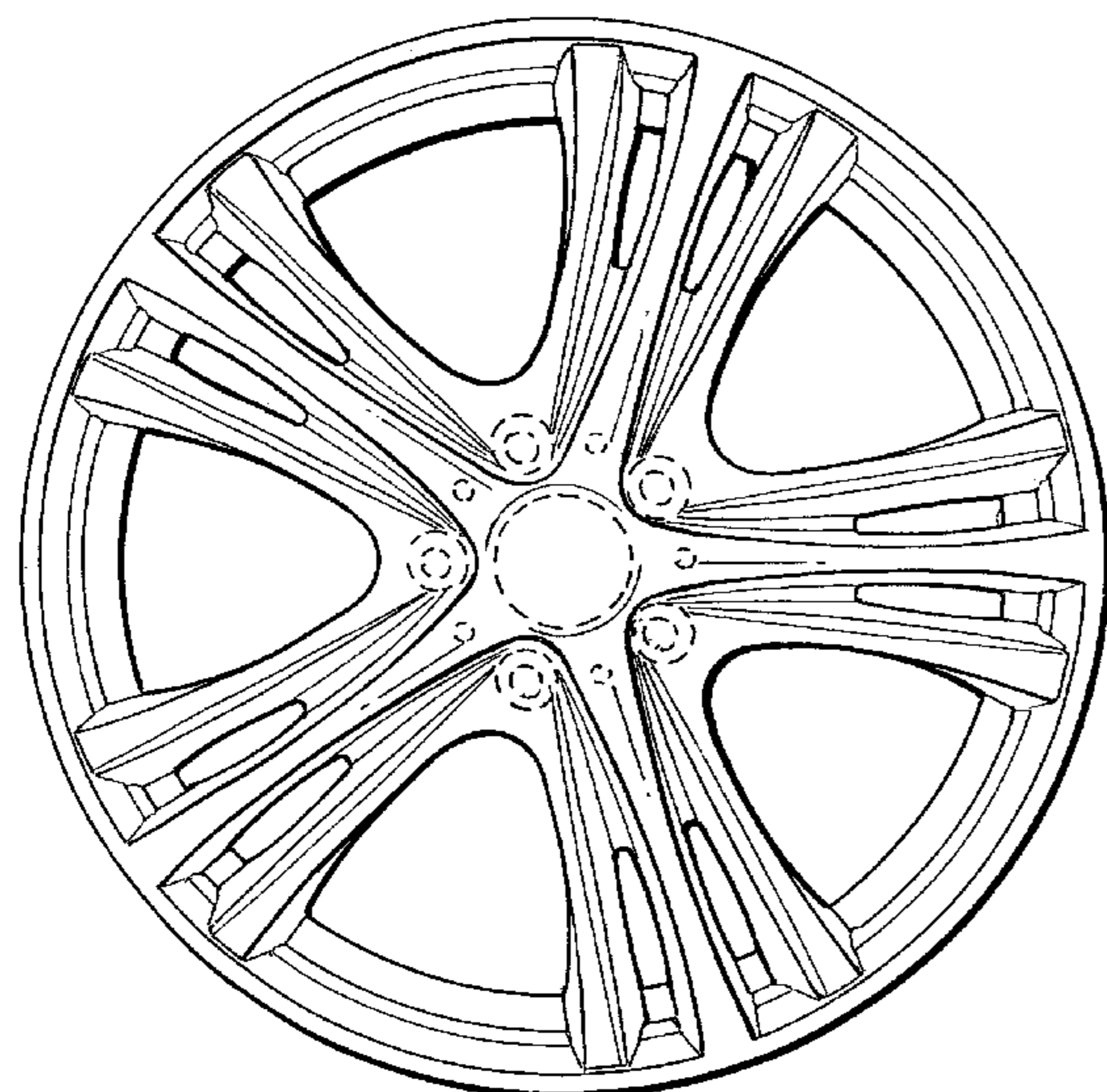
Application Ser. No. 29/390,770, filed Apr. 29, 2011 and entitled "Wheel or Wheel Cover."

FIG. 1 is a front view of a wheel or wheel cover according to my design; and,

FIG. 2 is a perspective view thereof.

The broken line showing of the rear of the wheel and the bolt holes and center opening in the central hub area is included for the purpose of illustrating environment and forms no part of the claimed design.

**1 Claim, 1 Drawing Sheet**



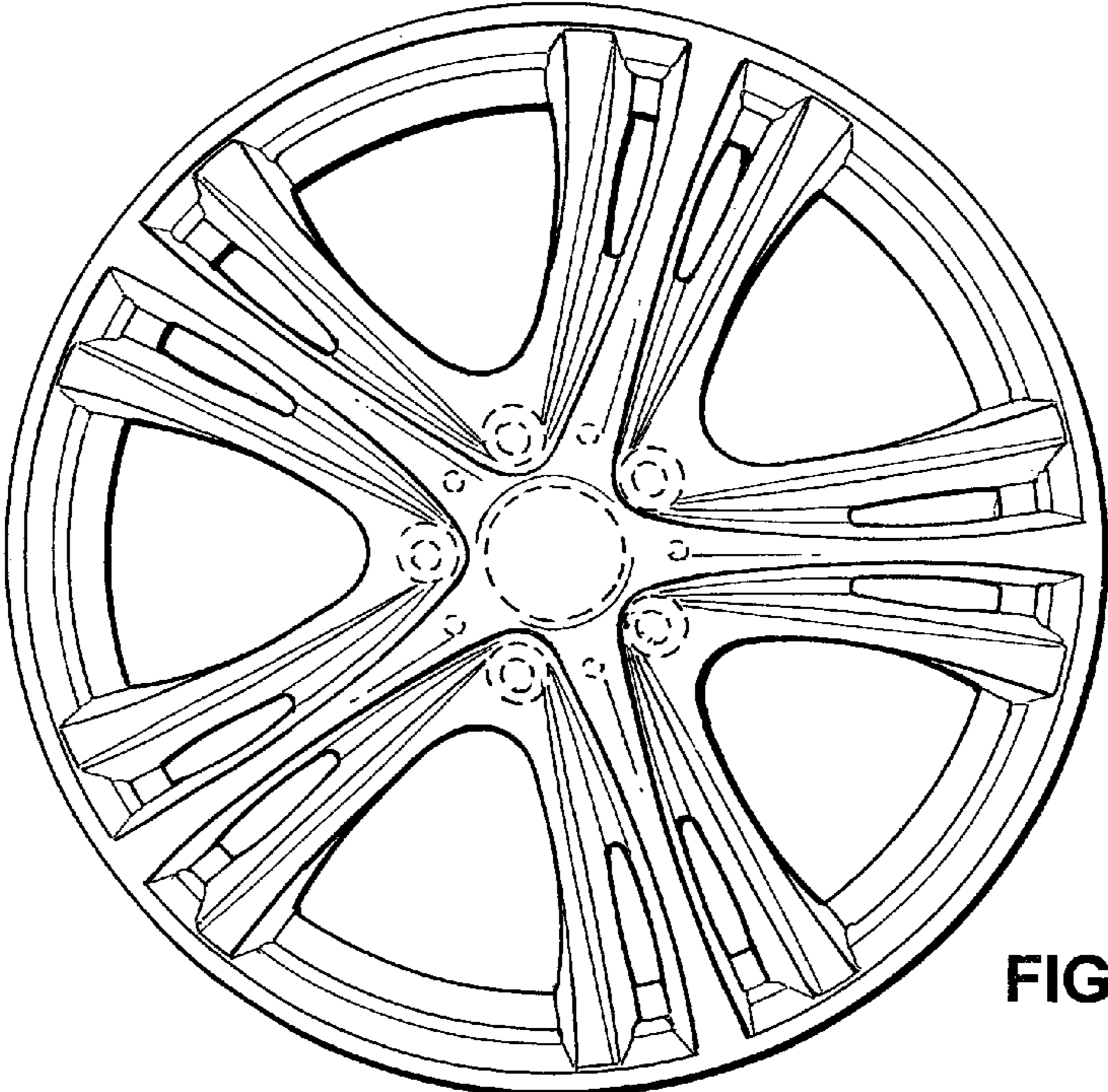


FIG. 1

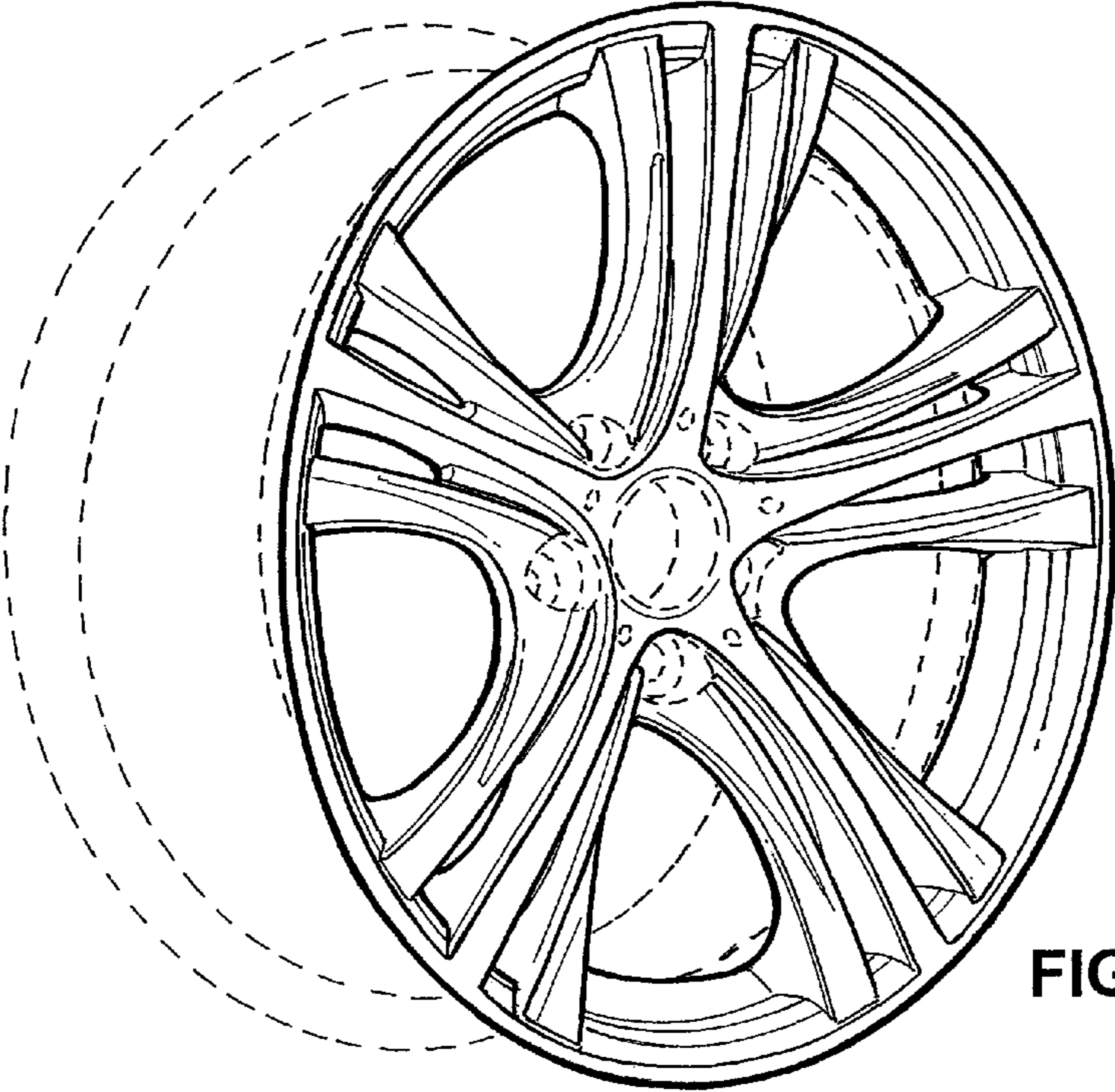


FIG. 2