

US00D671467S

(12) **United States Design Patent**  
**Kido et al.**

(10) **Patent No.:** **US D671,467 S**

(45) **Date of Patent:** **\*\* Nov. 27, 2012**

(54) **AUTOMOBILE**

(75) Inventors: **Kenji Kido**, Okazaki (JP); **Kosuke Kubo**, Okazaki (JP)

(73) Assignees: **Toyota Jidosha Kabushiki Kaisha** (JP); **Fuji Jukogyo Kabushiki Kaisha** (JP)

(\*\*) Term: **14 Years**

(21) Appl. No.: **29/400,066**

(22) Filed: **Aug. 23, 2011**

(30) **Foreign Application Priority Data**

Feb. 28, 2011 (JP) ..... 2011-004258

(51) **LOC (9) Cl.** ..... **12-16**

(52) **U.S. Cl.** ..... **D12/196**

(58) **Field of Classification Search** ..... D12/86,  
D12/90-92; D21/424, 433, 434; 296/181.1,  
296/181.5

See application file for complete search history.

(56) **References Cited**

**U.S. PATENT DOCUMENTS**

- D550,125 S \* 9/2007 Nagasato et al. .... D12/92
- D559,735 S \* 1/2008 Bischoff et al. .... D12/91
- D561,645 S \* 2/2008 Kim et al. .... D12/92
- D563,278 S \* 3/2008 Nakagawa et al. .... D12/92
- D586,698 S \* 2/2009 Morikawa ..... D12/92

- D607,782 S \* 1/2010 Yamazaki et al. .... D12/92
- D609,608 S \* 2/2010 Boniface et al. .... D12/92
- D618,594 S 6/2010 Sonoda et al.
- D626,887 S 11/2010 Suzuki et al.
- D637,112 S \* 5/2011 Saracoglu ..... D12/92
- D654,835 S \* 2/2012 Tomatsu et al. .... D12/164

\* cited by examiner

*Primary Examiner* — Melody N Brown

(74) *Attorney, Agent, or Firm* — SAIDMAN DesignLaw Group

(57) **CLAIM**

The ornamental design for an automobile, as shown and described.

**DESCRIPTION**

FIG. 1 is a front perspective view of an automobile showing our new design;

FIG. 2 is a rear perspective view thereof;

FIG. 3 is a left side view thereof;

FIG. 4 is a right side view thereof;

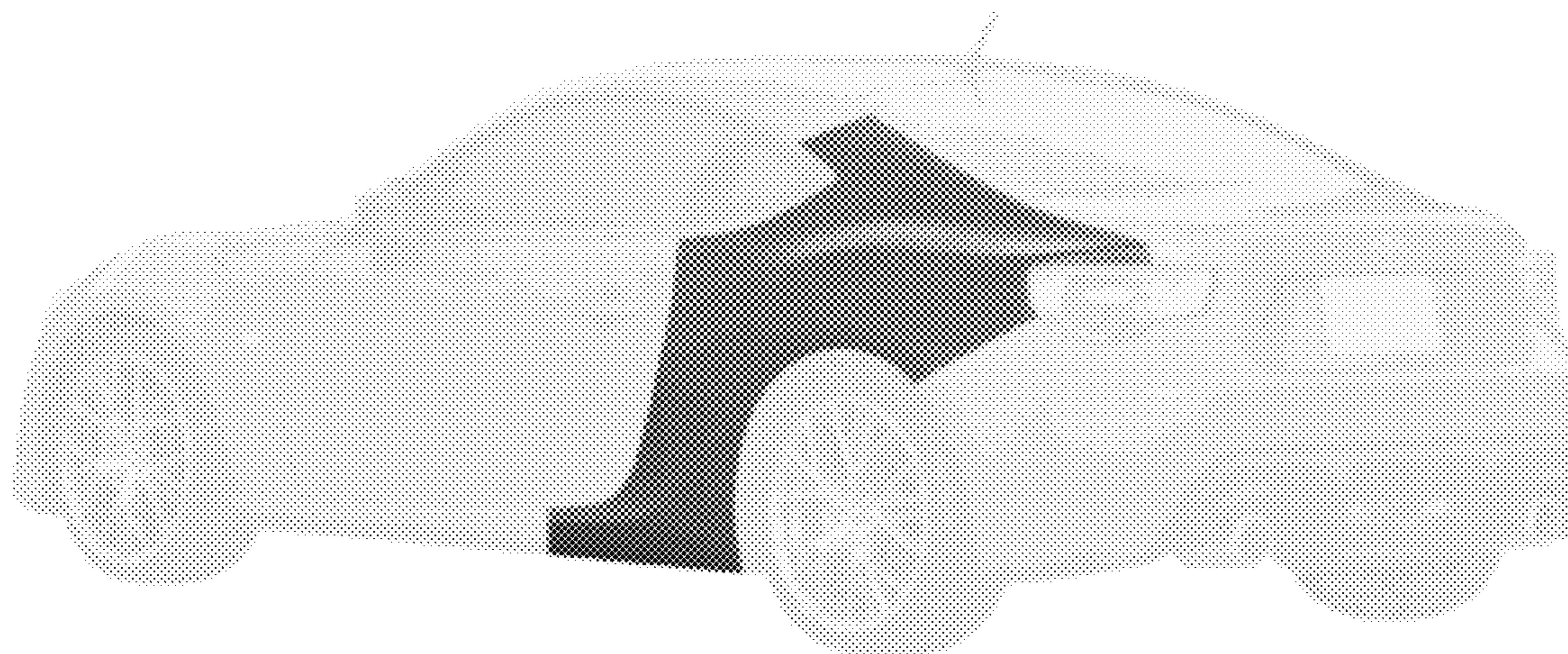
FIG. 5 is a front view thereof;

FIG. 6 is a rear view thereof; and,

FIG. 7 is a top view thereof.

The claimed design is indicated by the relatively dark portions in the figures, while the relatively light portions are environmental and form no part of the claimed design.

**1 Claim, 3 Drawing Sheets**



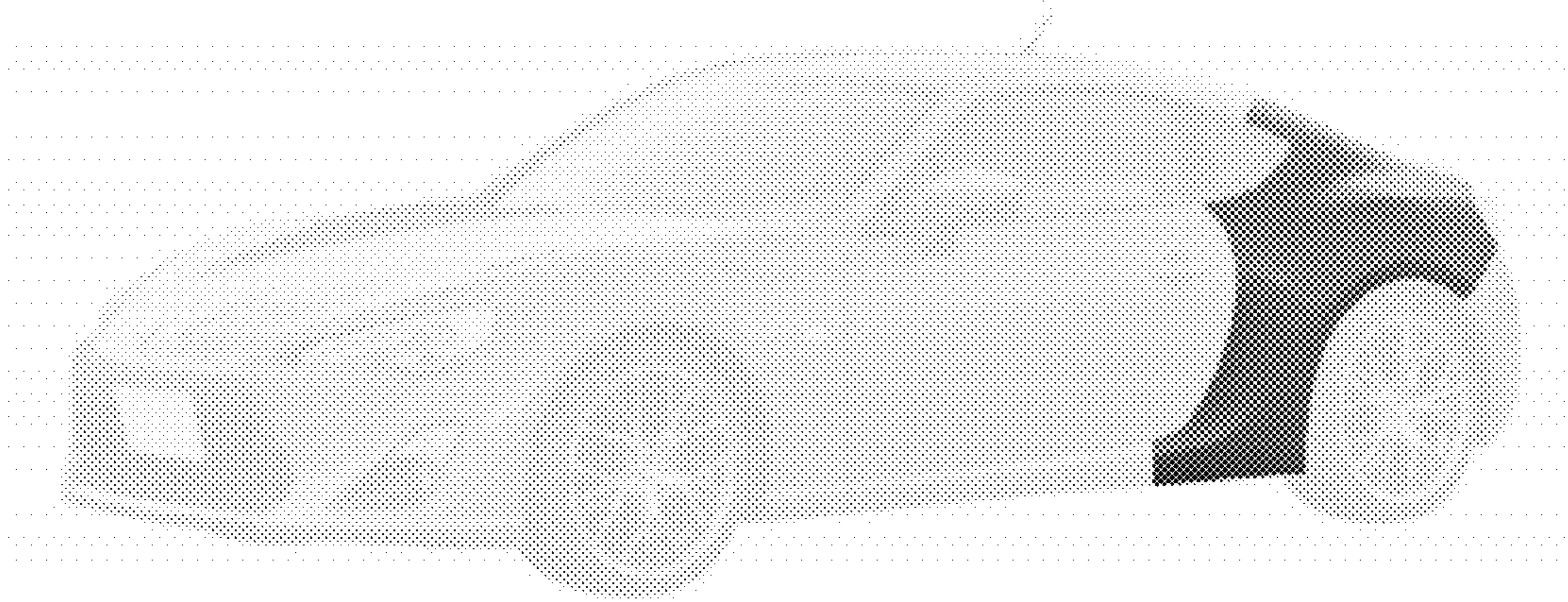


FIG. 1

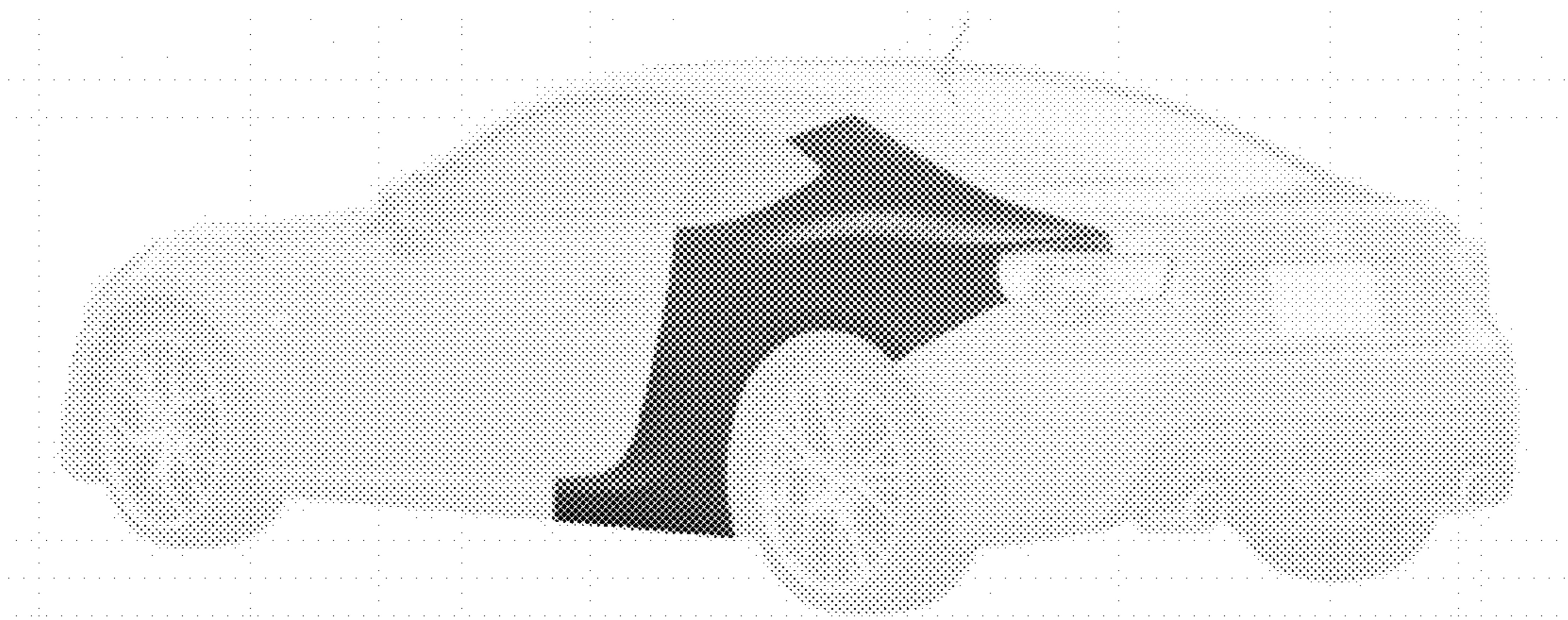


FIG. 2

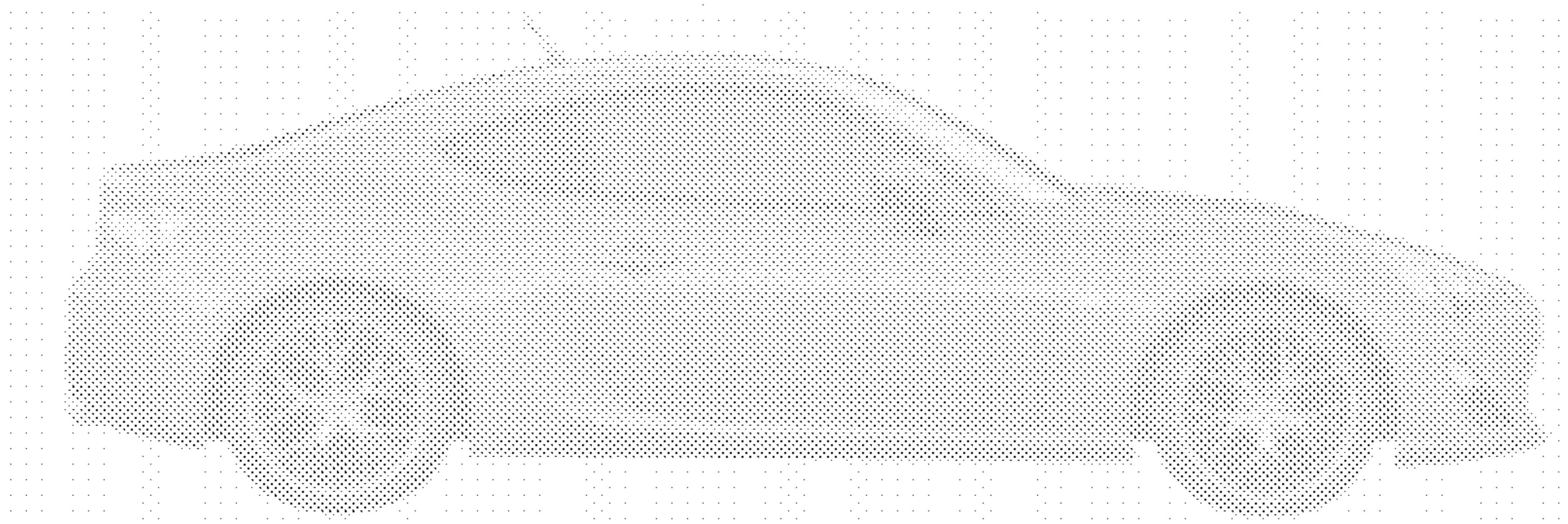


FIG. 3

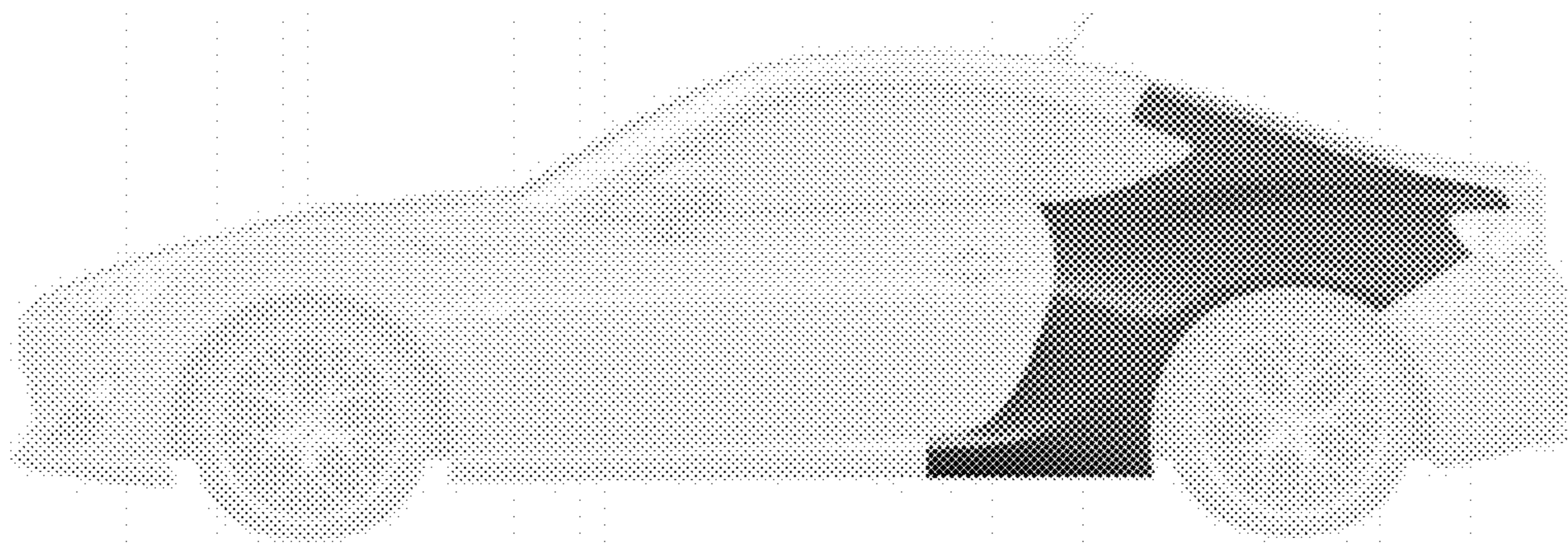


FIG. 4

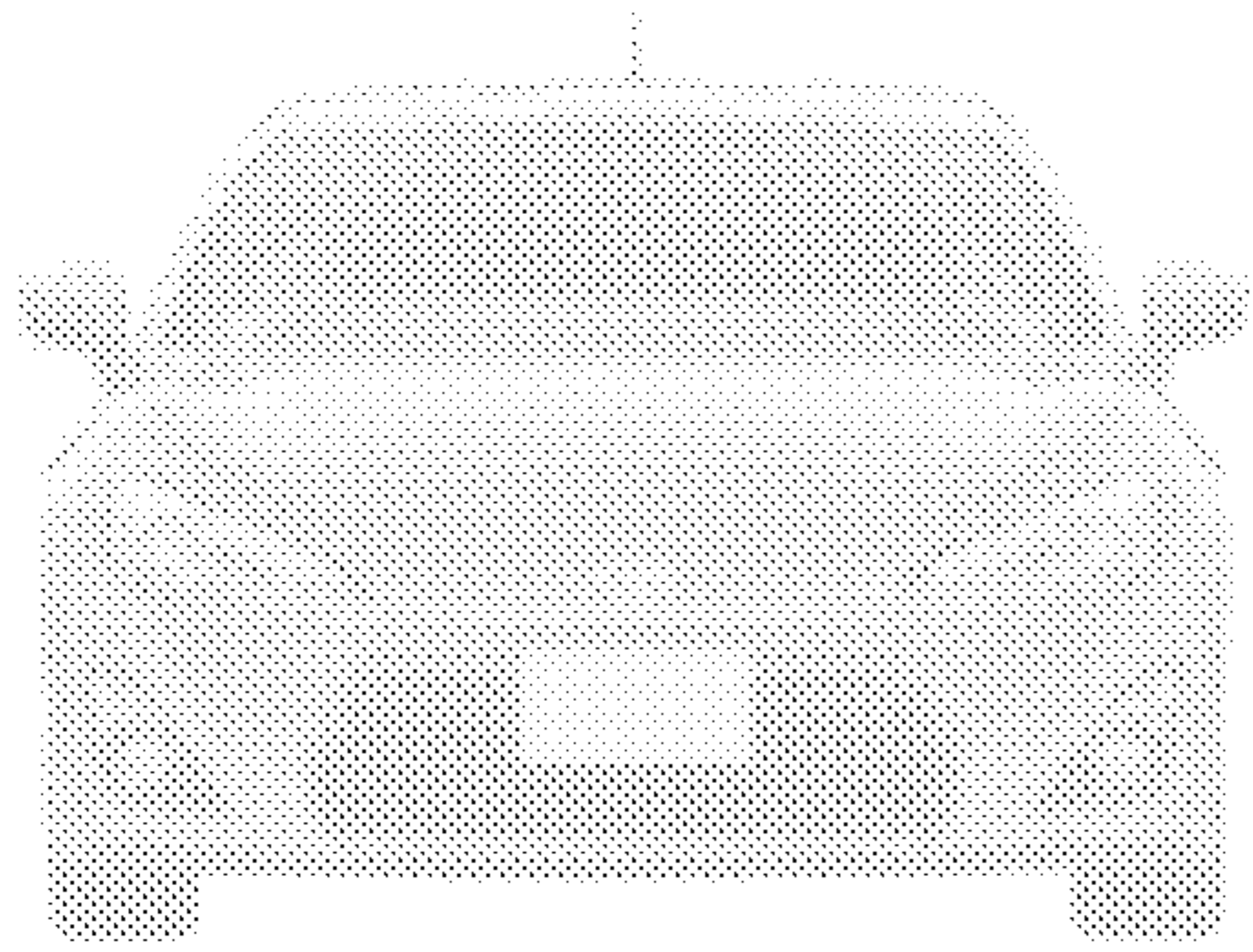


FIG. 5

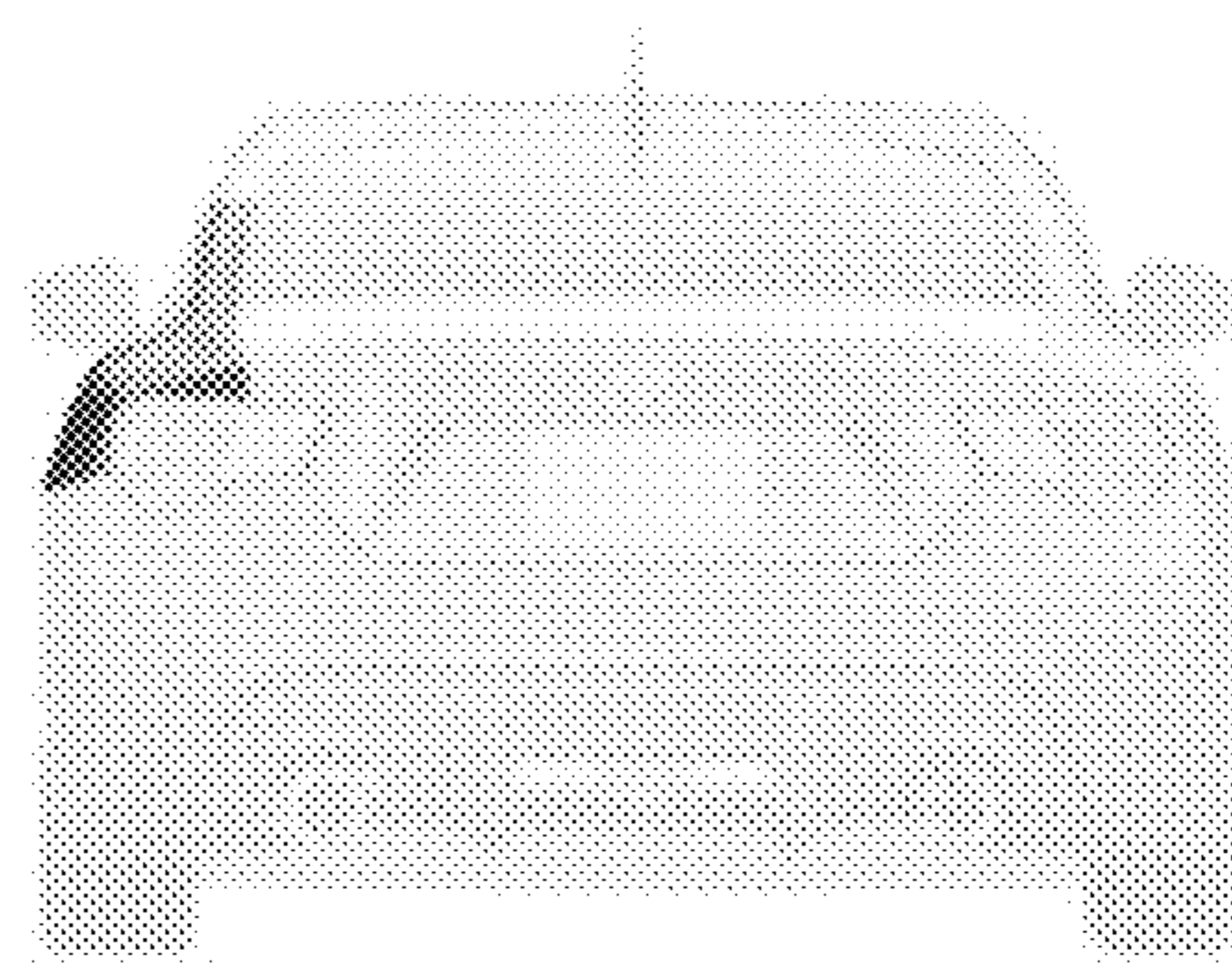


FIG. 6



FIG. 7