



US00D671464S

(12) **United States Design Patent**
Baccus et al.

(10) **Patent No.:** **US D671,464 S**

(45) **Date of Patent:** **** *Nov. 27, 2012**

(54) **STEERING WHEEL**

(56) **References Cited**

(75) Inventors: **Joel Baccus**, Shelby Township, MI (US);
Dennis Friedenstab, White Lake
Township, MI (US); **Rick North**,
Linden, MI (US); **Steve Sowinski**,
Rochester Hills, MI (US)

U.S. PATENT DOCUMENTS

| | | | | | | |
|----------|---|---|--------|-----------------|-------|---------|
| D593,010 | S | * | 5/2009 | Yamazaki | | D12/176 |
| D600,612 | S | * | 9/2009 | Hwang et al. | | D12/176 |
| D620,853 | S | * | 8/2010 | Wiedeman et al. | | D12/176 |
| D630,983 | S | * | 1/2011 | Frank et al. | | D12/176 |
| D637,946 | S | * | 5/2011 | Anzi | | D12/176 |
| D640,619 | S | * | 6/2011 | Araki et al. | | D12/176 |

(73) Assignee: **Chrysler Group LLC**, Auburn Hills, MI
(US)

OTHER PUBLICATIONS

MY2009 Dodge Ram 1500 Steering Wheel photo.

* cited by examiner

(*) Notice: This patent is subject to a terminal dis-
claimer.

Primary Examiner — Melody N Brown
(74) *Attorney, Agent, or Firm* — Ralph E. Smith

(**) Term: **14 Years**

(57) **CLAIM**
The ornamental design for a steering wheel, as shown and
described.

(21) Appl. No.: **29/392,578**

DESCRIPTION

(22) Filed: **May 24, 2011**

FIG. 1 is a front perspective view of a steering wheel showing
our new design;

(51) **LOC (9) Cl.** **12-16**

FIG. 2 is a top perspective view thereof; and,

(52) **U.S. Cl.** **D12/176**

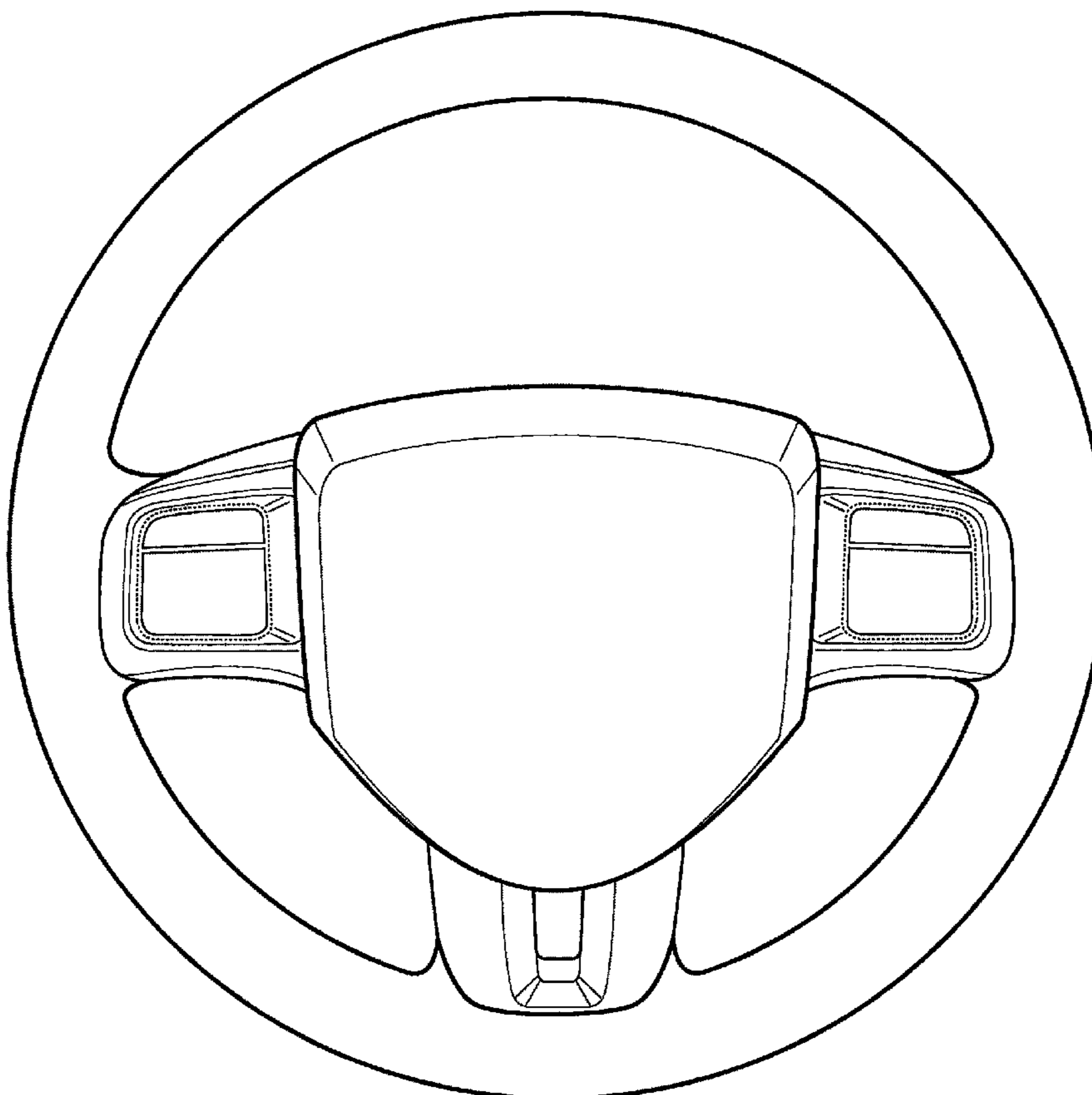
FIG. 3 is a side view thereof the opposite side being a mirror
image.

(58) **Field of Classification Search** D12/175,
D12/176; 74/552, 558, 558.5

It will be understood that the broken lines presented in the
drawings are for illustration only, and do not form a part of the
claimed design.

See application file for complete search history.

1 Claim, 3 Drawing Sheets



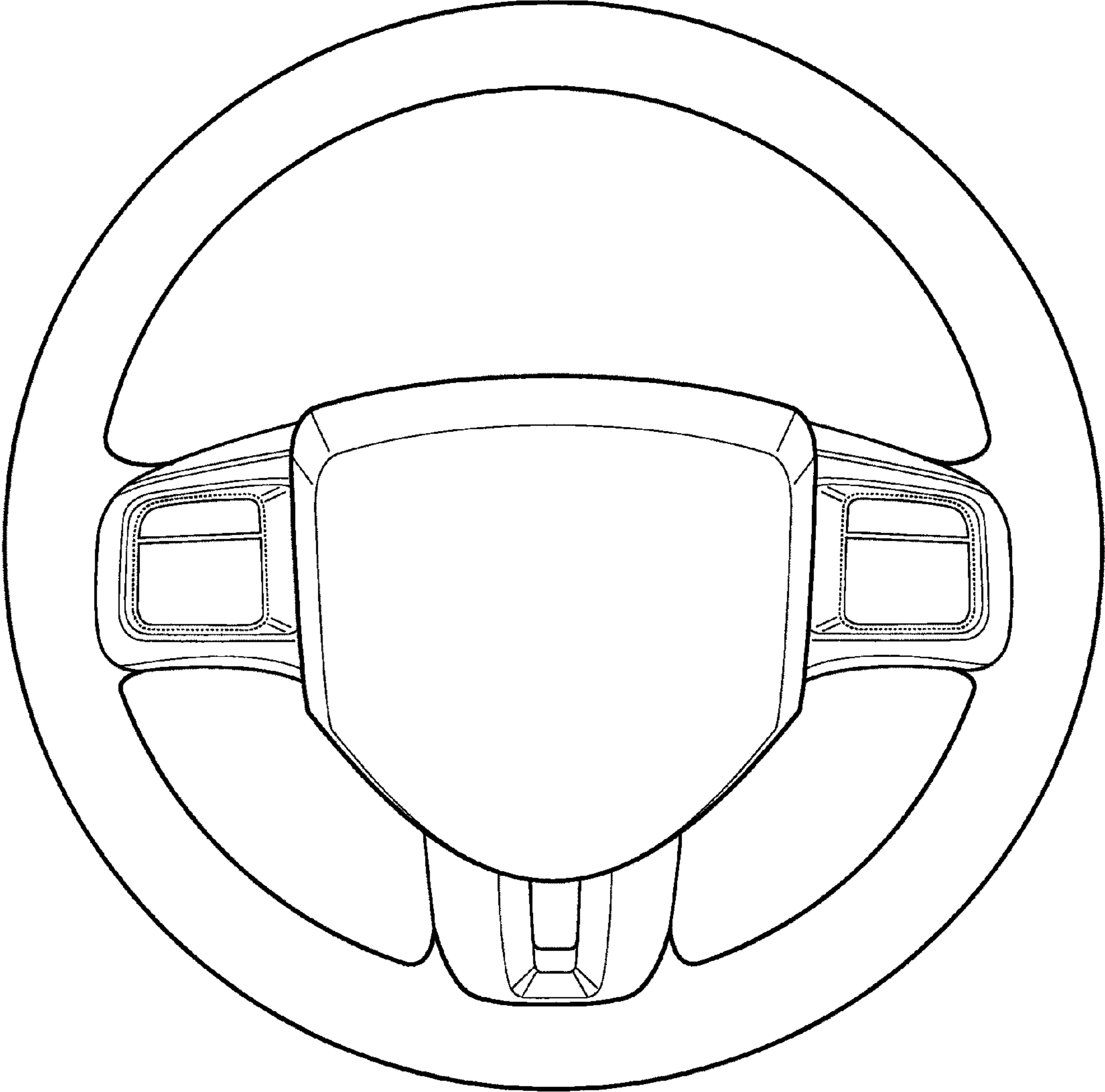


FIG. 1

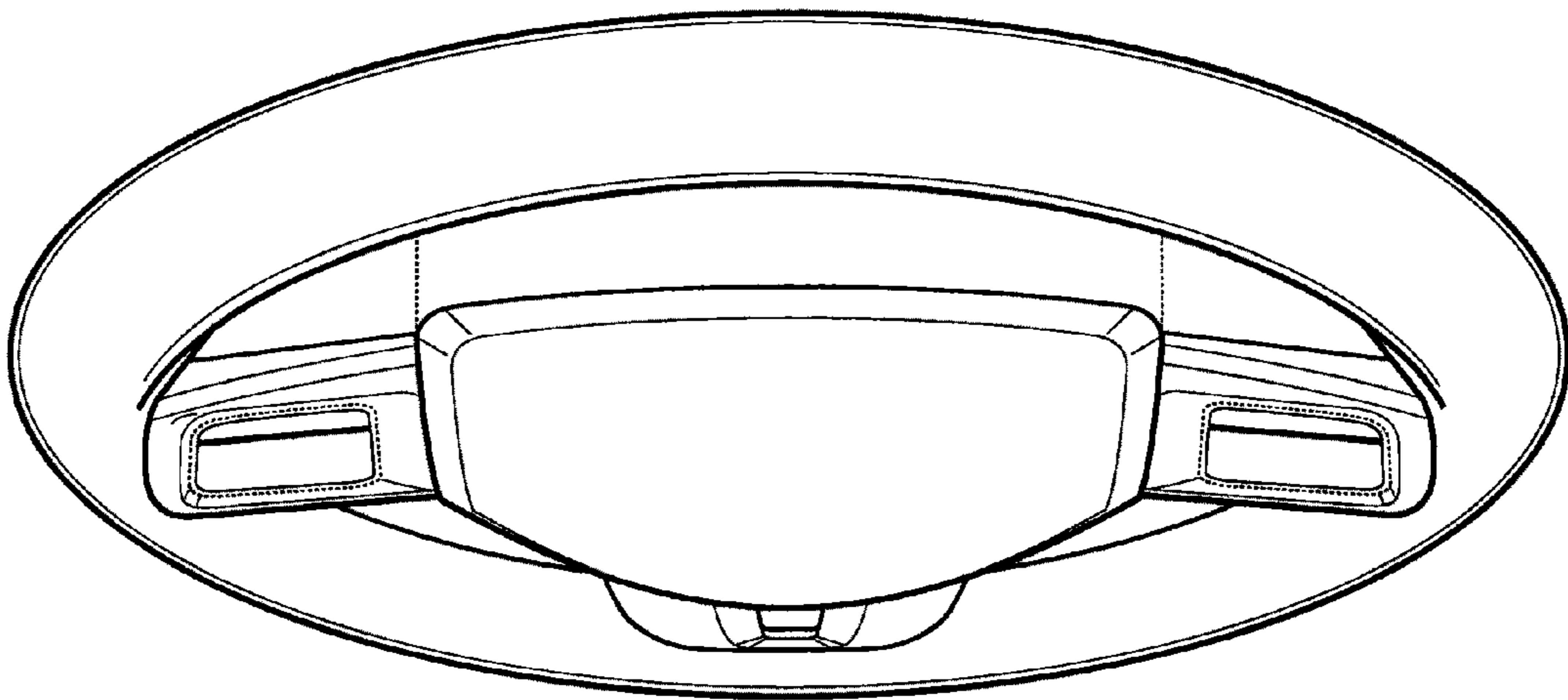


FIG. 2

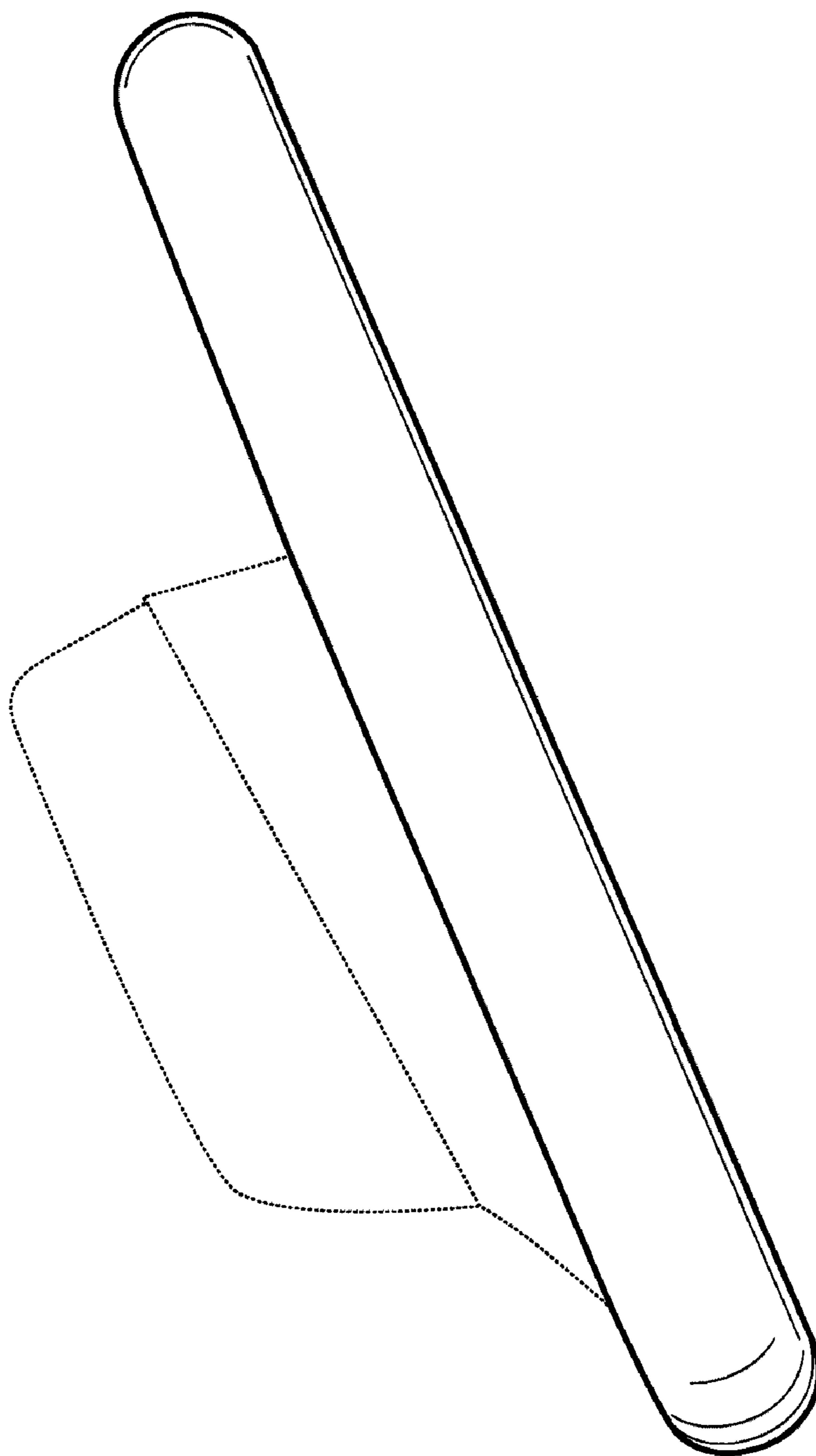


FIG. 3