



US00D671457S

(12) **United States Design Patent**  
**Goto et al.**

(10) **Patent No.:** **US D671,457 S**

(45) **Date of Patent:** **\*\* Nov. 27, 2012**

(54) **AUTOMOBILE, TOY REPLICA AND/OR  
OTHER REPLICAS**

(75) Inventors: **Jun Goto**, Saitama-ken (JP); **Jason  
Wilbur**, Torrance, CA (US)

(73) Assignee: **Honda Motor Co., Ltd**, Tokyo (JP)

(\*\*) Term: **14 Years**

(21) Appl. No.: **29/400,838**

(22) Filed: **Sep. 1, 2011**

(51) **LOC (9) Cl.** ..... **12-08**

(52) **U.S. Cl.** ..... **D12/92**

(58) **Field of Classification Search** ..... D12/86,  
D12/90-92, 88; D21/424, 433, 434; 296/181.1,  
296/181.5

See application file for complete search history.

(56) **References Cited**

**U.S. PATENT DOCUMENTS**

D478,843 S *	8/2003	Pardo .....	D12/92
D491,843 S *	6/2004	Giugiaro .....	D12/92
D506,161 S *	6/2005	Stephenson .....	D12/92
D507,992 S *	8/2005	Stephenson .....	D12/92
D551,126 S *	9/2007	Manfredini .....	D12/92
D589,403 S *	3/2009	Saracoglu .....	D12/92
D593,001 S *	5/2009	Crijns .....	D12/92

D612,769 S *	3/2010	Cimatti .....	D12/92
D617,683 S *	6/2010	Beneggi .....	D12/92
D628,124 S *	11/2010	Stephenson .....	D12/92
D637,112 S *	5/2011	Saracoglu .....	D12/92
D664,475 S *	7/2012	Takahashi .....	D12/92

\* cited by examiner

*Primary Examiner* — Melody N Brown

(74) *Attorney, Agent, or Firm* — Westerman, Hattori,  
Daniels & Adrian, LLP

(57) **CLAIM**

The ornamental design for an automobile, toy replica and/or  
other replicas, as shown and described.

**DESCRIPTION**

FIG. 1 is a perspective view from the front left side of auto-  
mobile, toy replica and/or other replicas showing our new  
design;

FIG. 2 is a perspective view from the front right side thereof;  
FIG. 3 is a front elevational view thereof, the rear elevational  
view being a mirror image thereof;

FIG. 4 is a left side elevational view thereof;

FIG. 5 is a right side elevational view thereof; and,

FIG. 6 is a top plan view thereof.

The portions in broken lines illustrate environmental struc-  
ture only, and form no part of the claimed design.

**1 Claim, 6 Drawing Sheets**

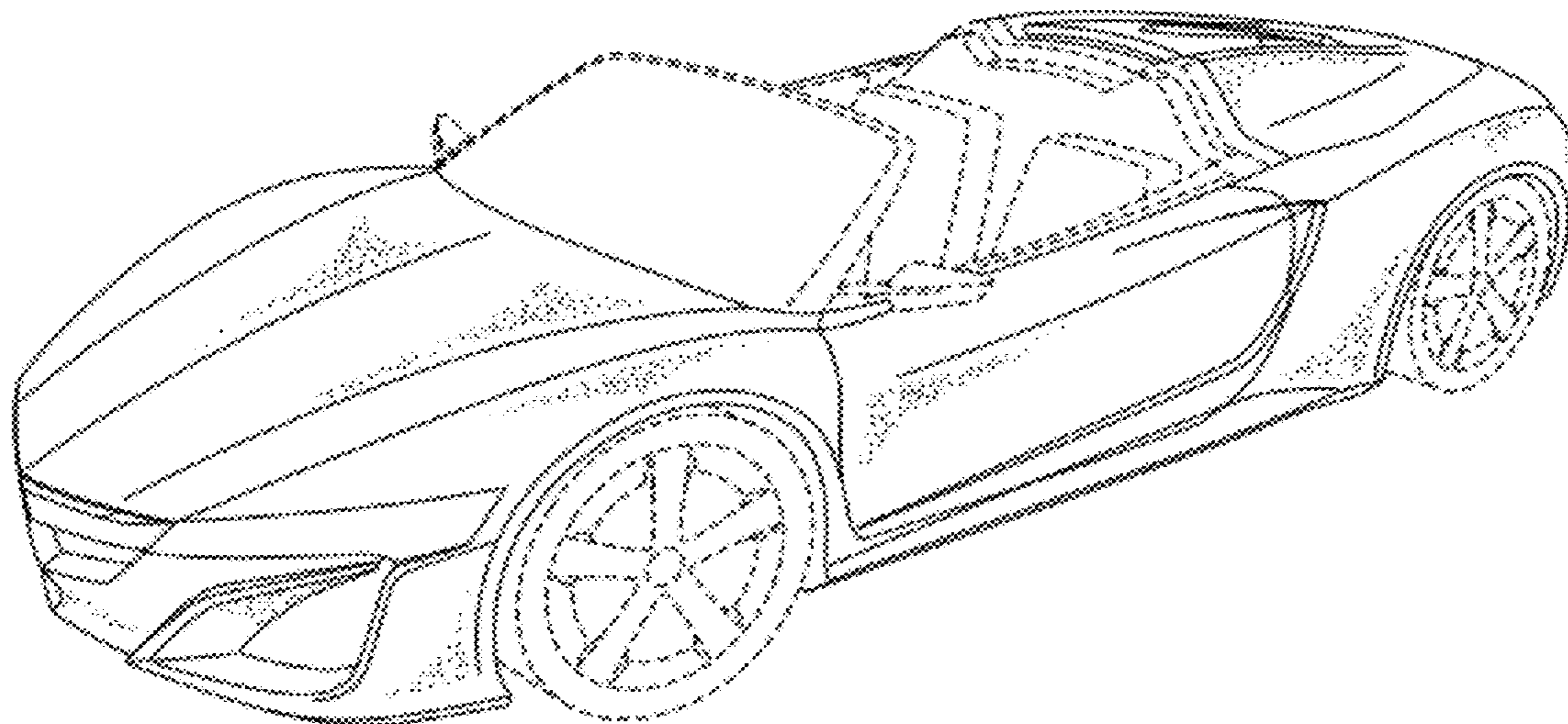


FIG. 1

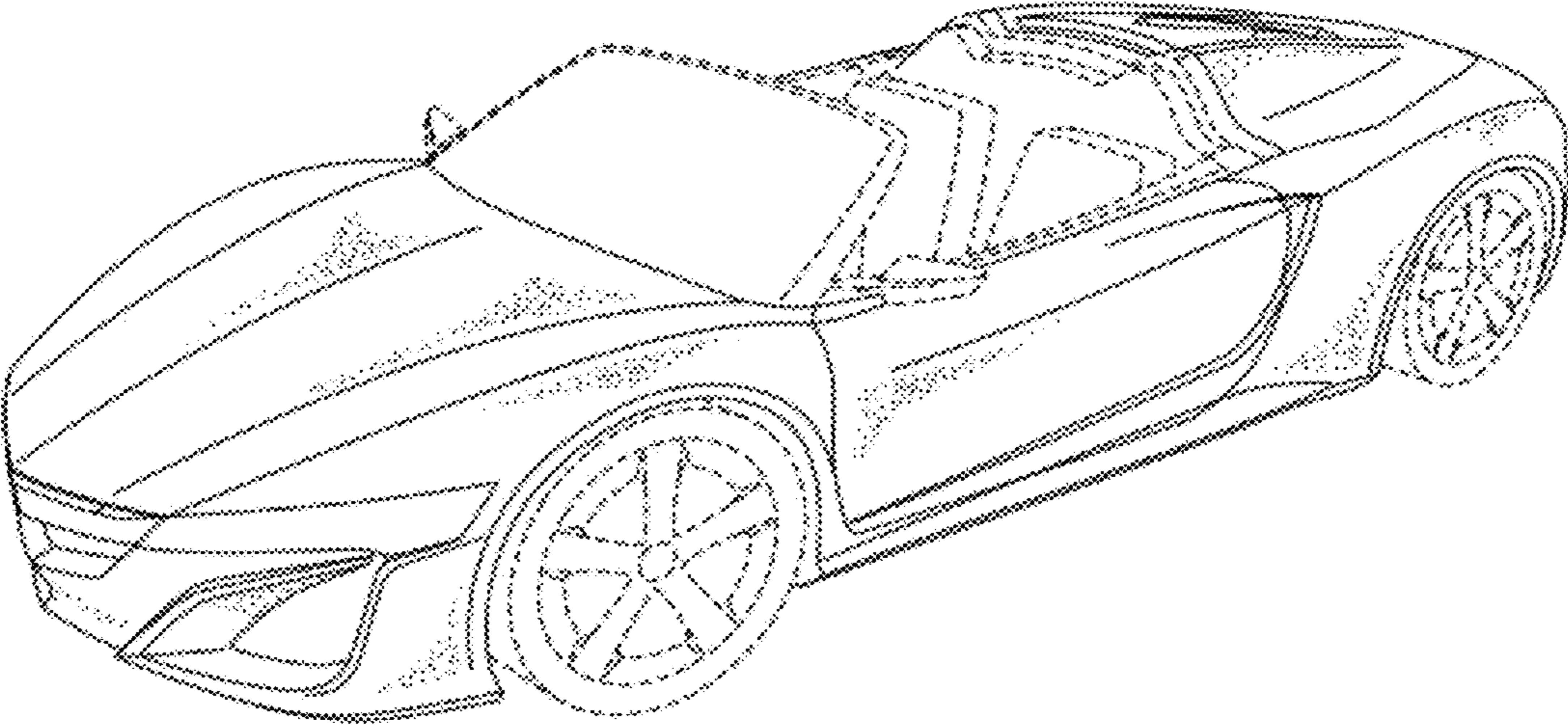


FIG. 2

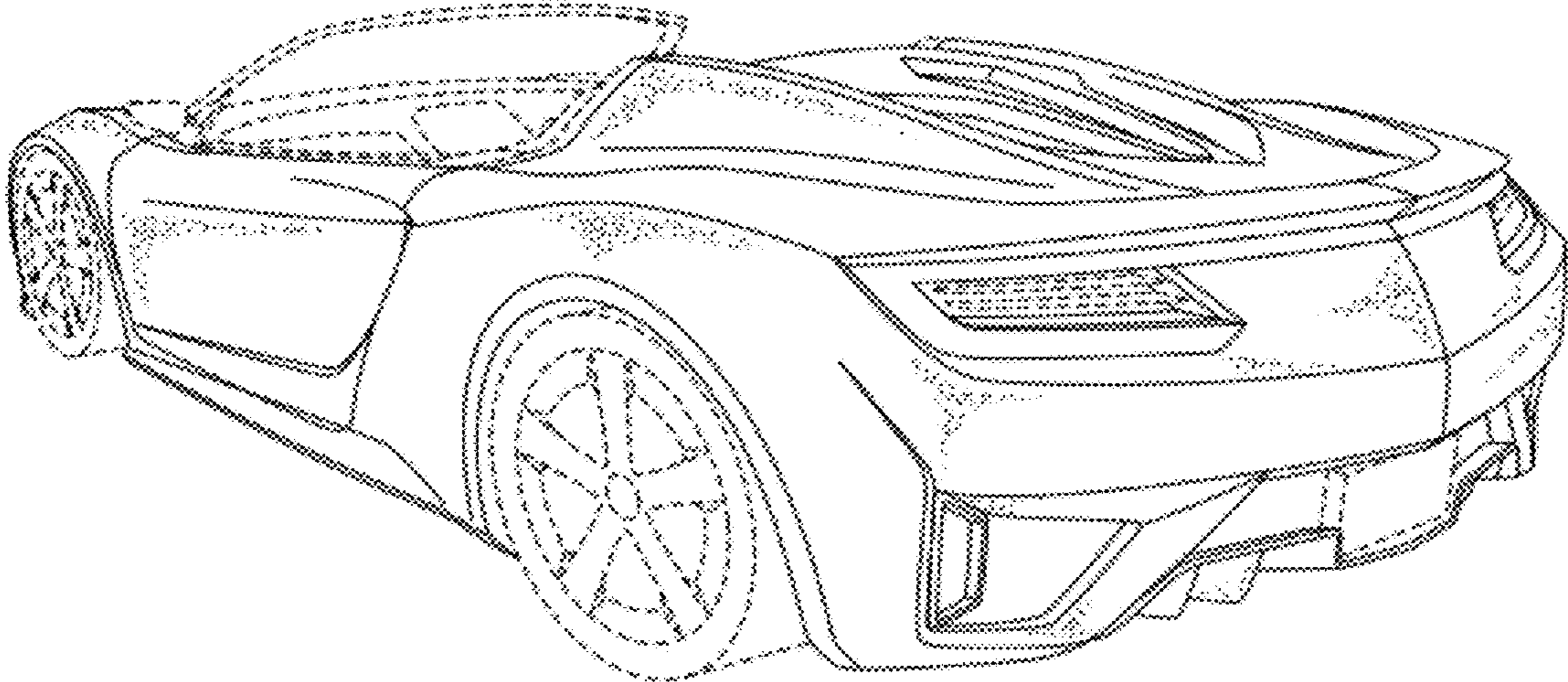


FIG. 3

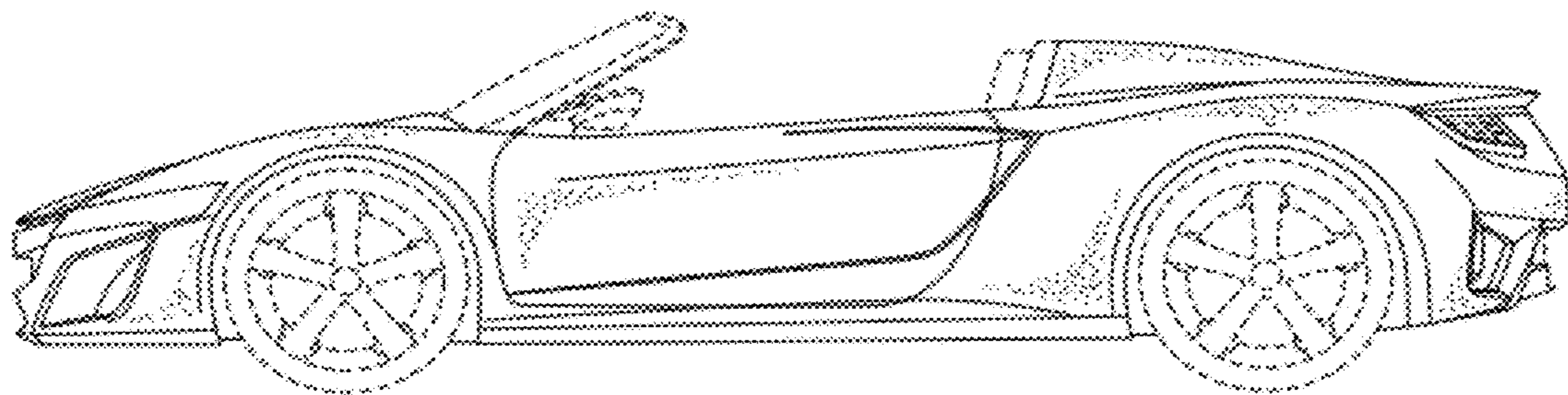


FIG. 4

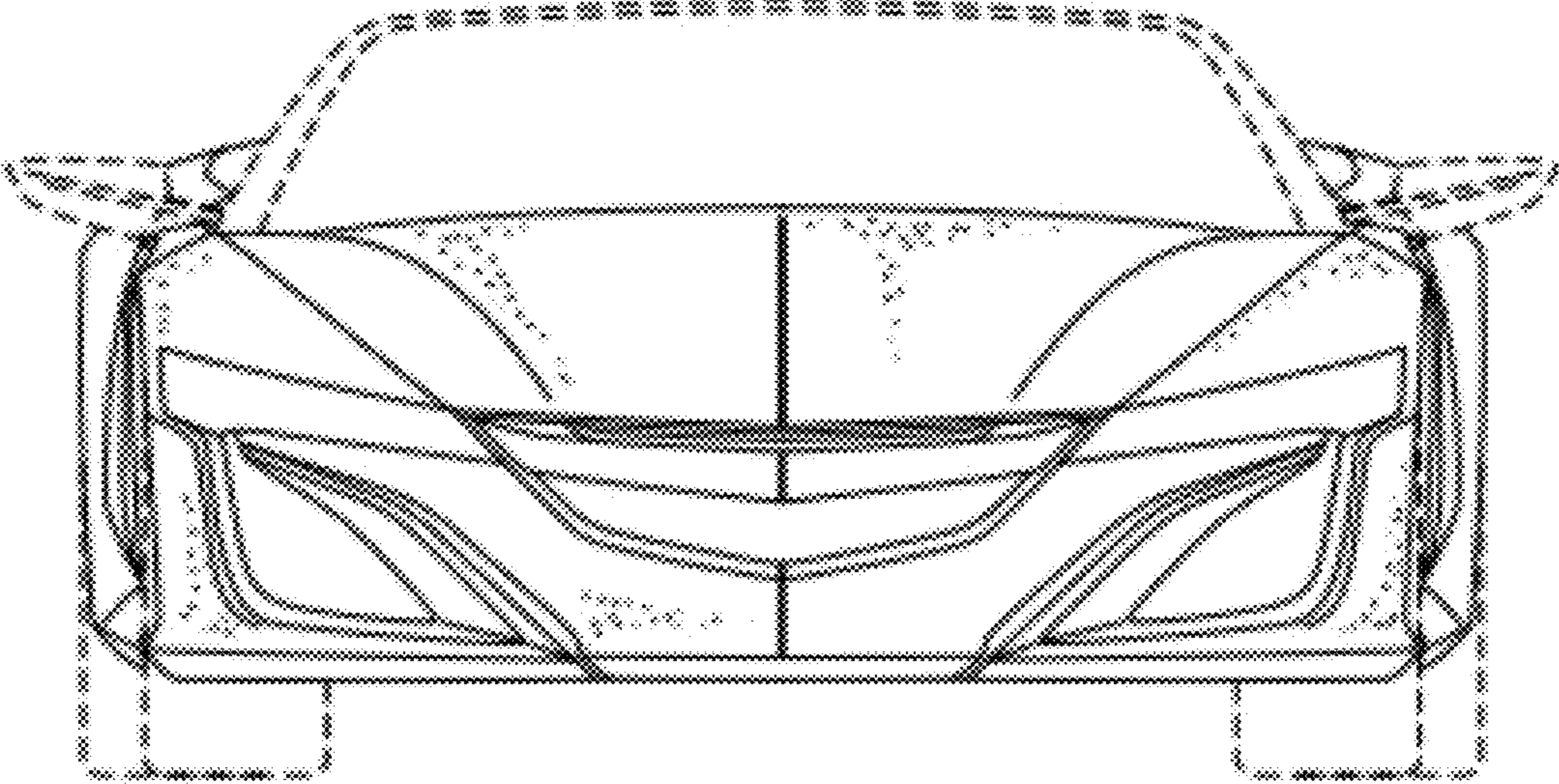


FIG. 5

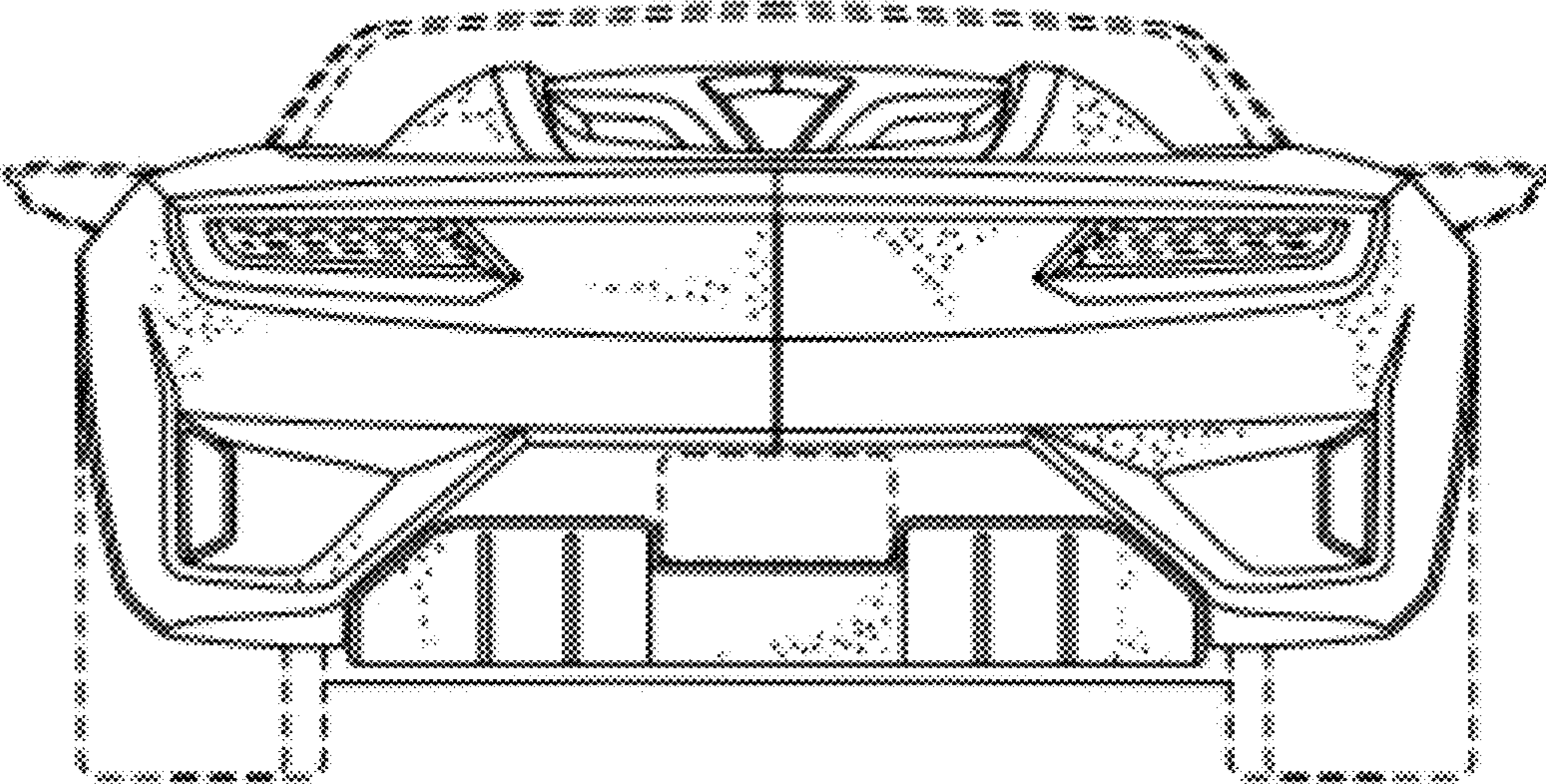
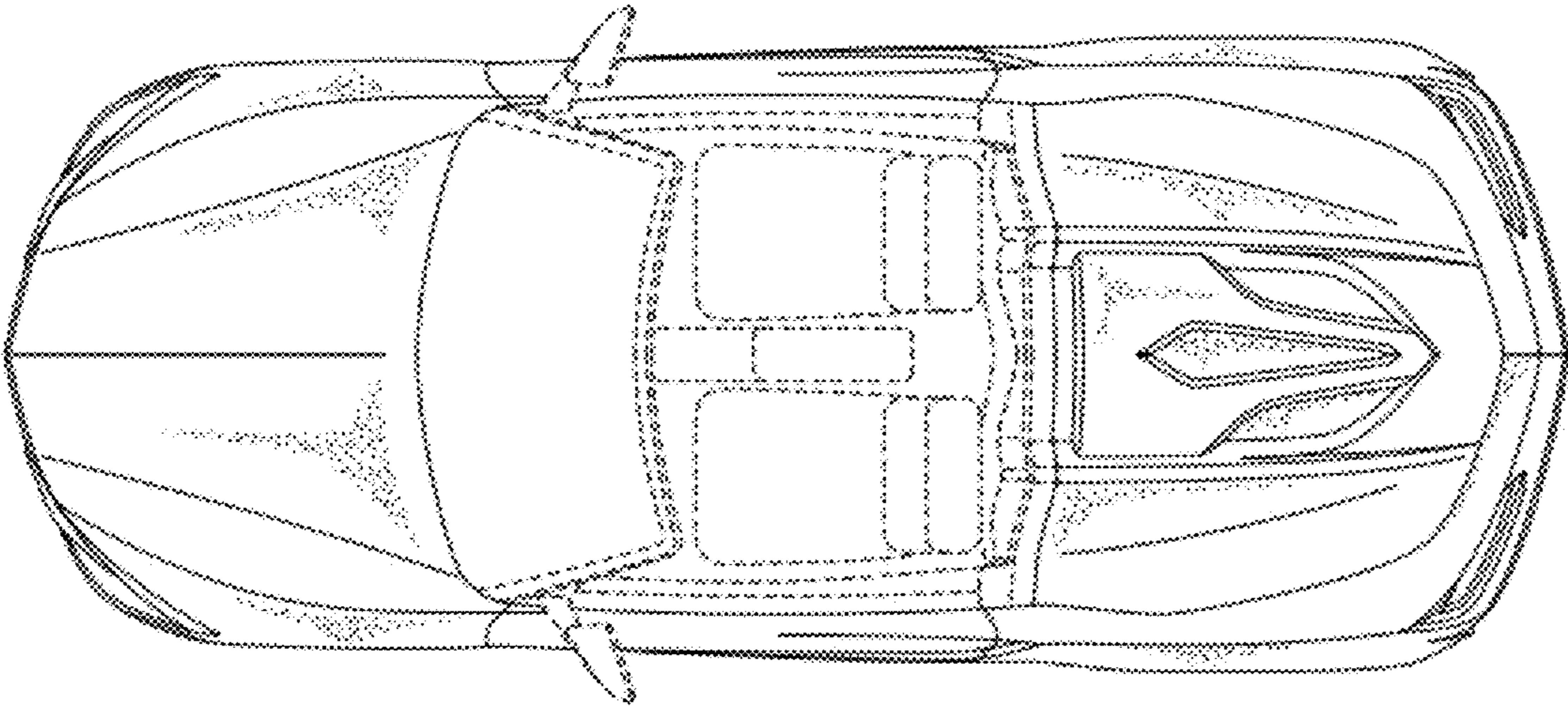


FIG. 6



UNITED STATES PATENT AND TRADEMARK OFFICE  
**CERTIFICATE OF CORRECTION**

PATENT NO. : D671,457 S  
APPLICATION NO. : 29/400838  
DATED : November 27, 2012  
INVENTOR(S) : Jun Goto

Page 1 of 5

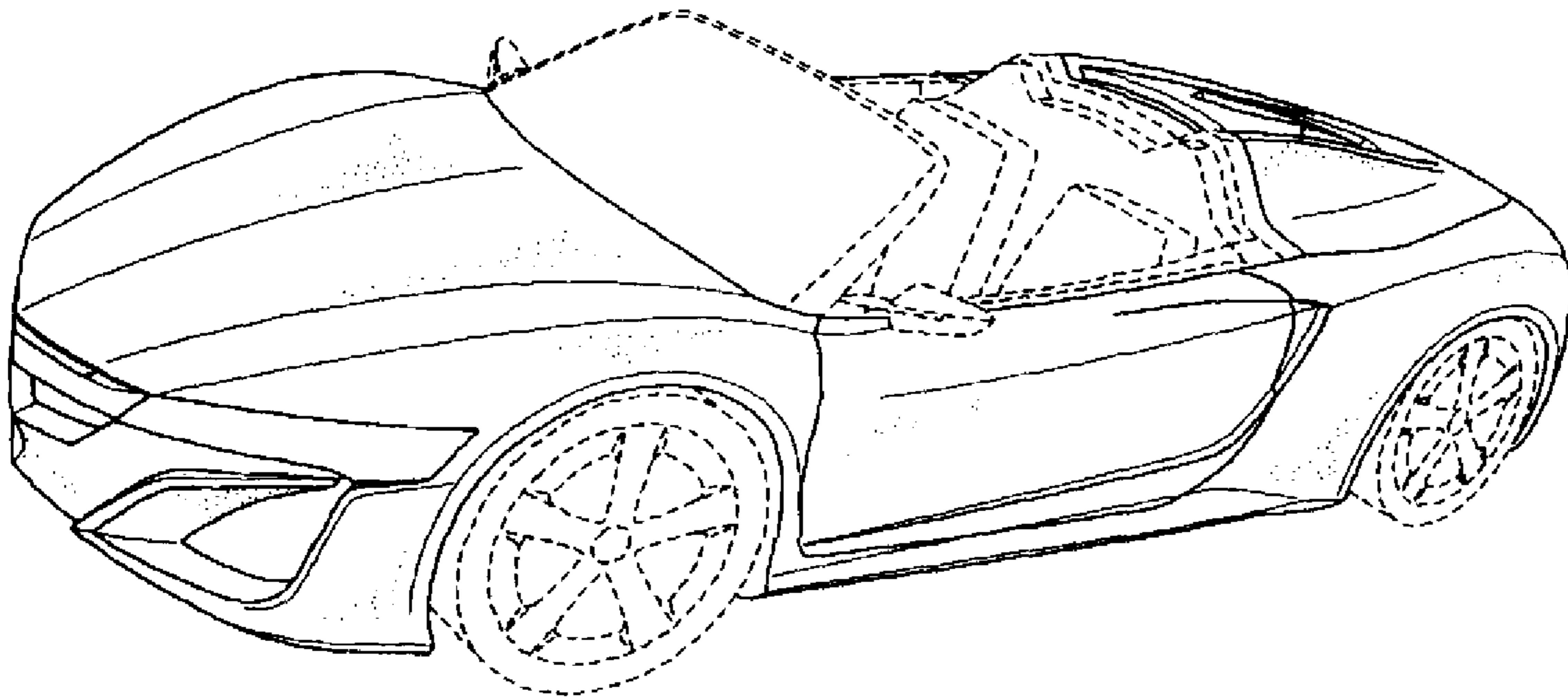
It is certified that error appears in the above-identified patent and that said Letters Patent is hereby corrected as shown below:

Delete the title page and substitute therefore with attached title page consisting of corrected illustrative Figure 1.

In the Drawings

Change drawing, Figure 1 to be:

**FIG. 1**



Signed and Sealed this  
Sixth Day of May, 2014

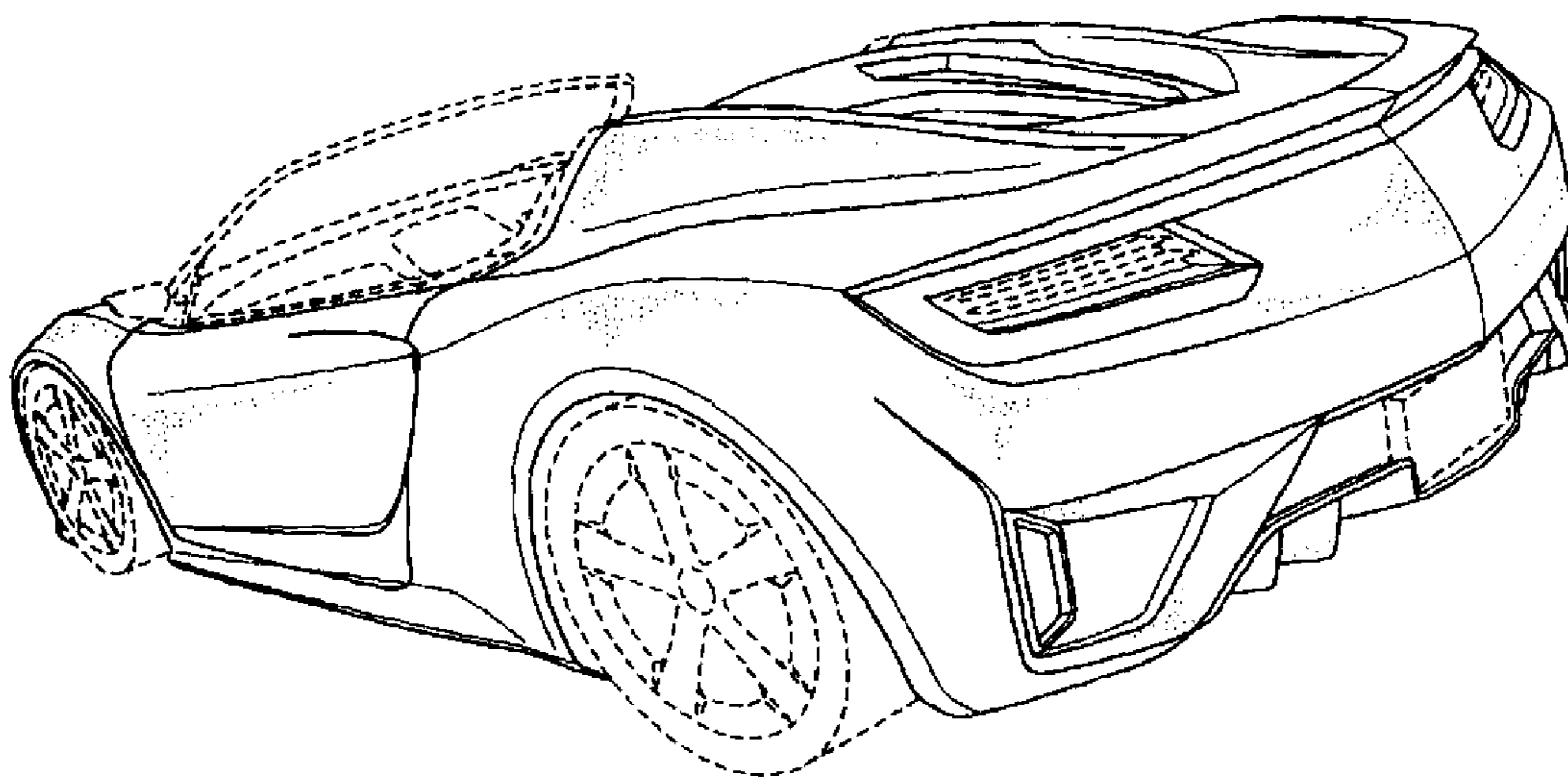
*Michelle K. Lee*

Michelle K. Lee  
Deputy Director of the United States Patent and Trademark Office



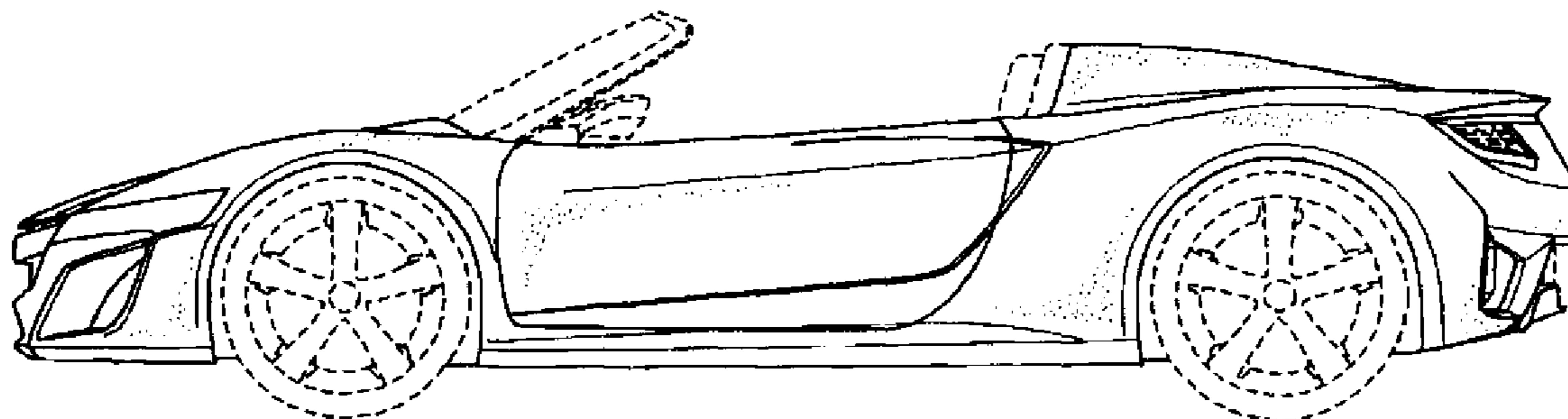
Change drawing, Figure 2 to be:

**FIG. 2**



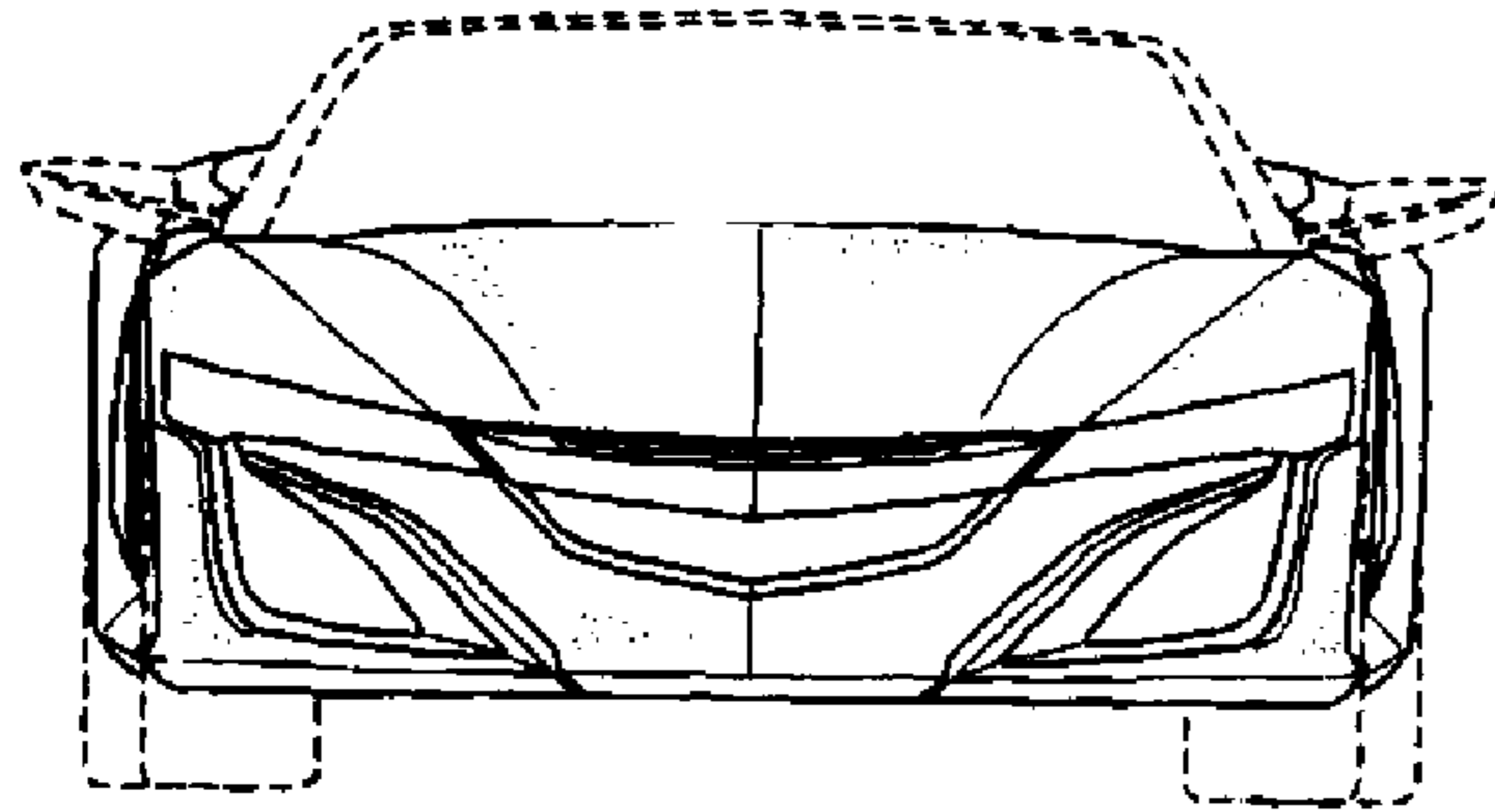
Change drawing, Figure 3 to be:

**FIG. 3**



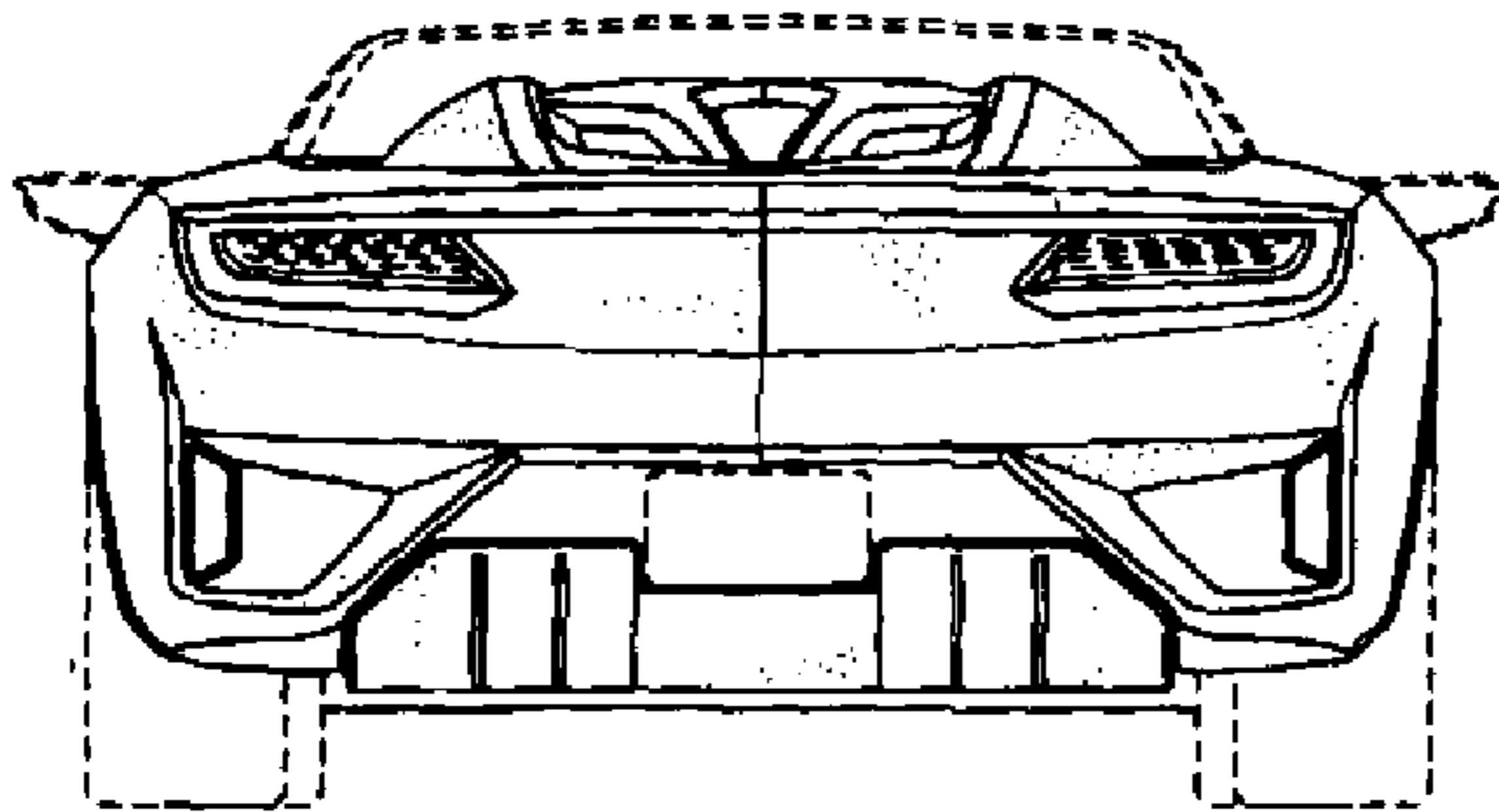
Change drawing, Figure 4 to be:

**FIG. 4**



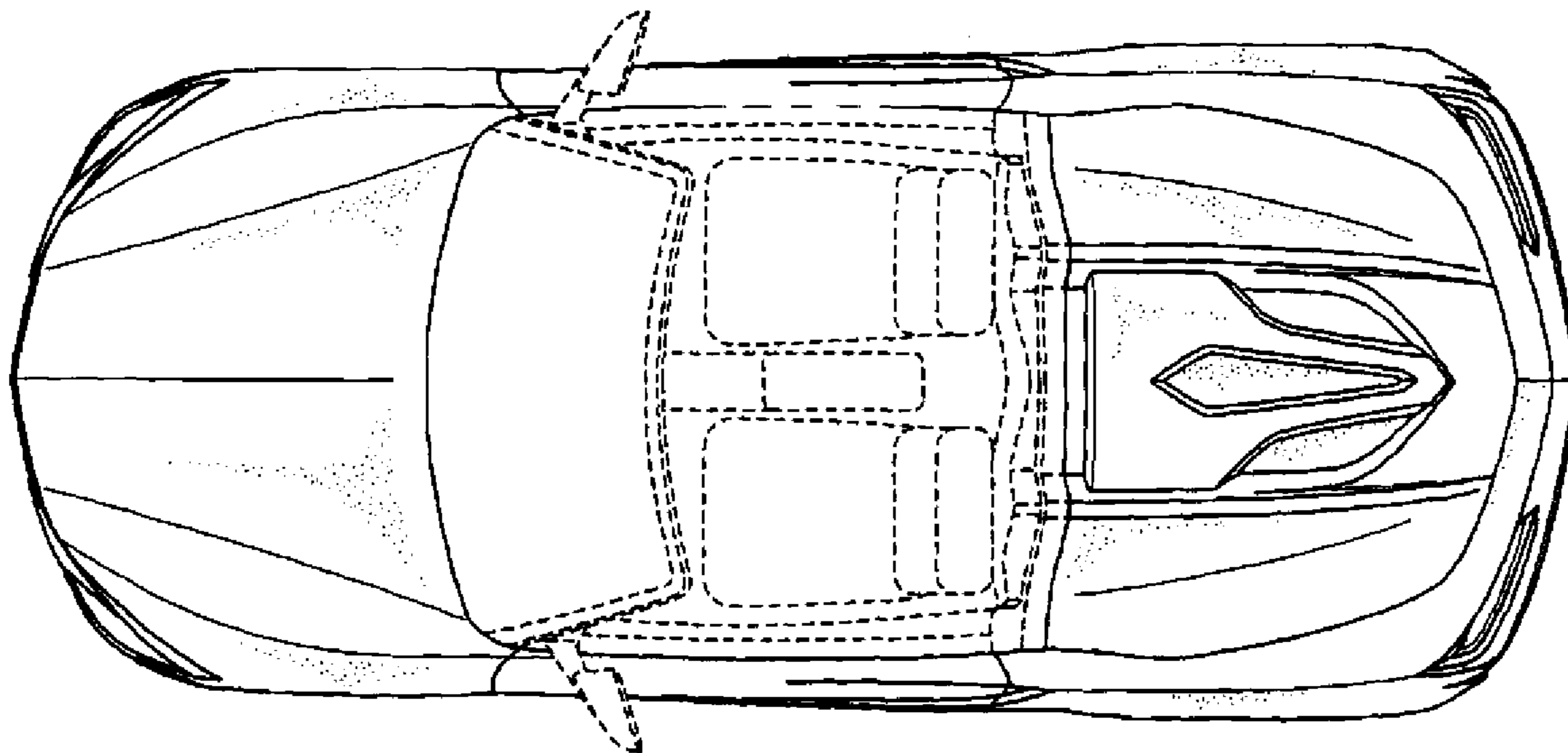
Change drawing, Figure 5 to be:

**FIG. 5**



Change drawing, Figure 6 to be:

**FIG. 6**



(12) **United States Design Patent**  
**Goto et al.**

(10) **Patent No.:** **US D671,457 S**  
(45) **Date of Patent:** **\*\* Nov. 27, 2012**

(54) **AUTOMOBILE, TOY REPLICA AND/OR  
OTHER REPLICAS**

(75) **Inventors:** **Jun Goto**, Saitama-ken (JP); **Jason Wilbur**, Torrance, CA (US)

(73) **Assignee:** **Honda Motor Co., Ltd**, Tokyo (JP)

(\*\*) **Term:** **14 Years**

(21) **Appl. No.:** **29/400,838**

(22) **Filed:** **Sep. 1, 2011**

(51) **LOC (9) Cl.** ..... **12-08**

(52) **U.S. Cl.** ..... **D12/92**

(58) **Field of Classification Search** ..... D12/86,  
D12/90-92, 88; D21/424, 433, 434; 296/181.1,  
296/181.5

See application file for complete search history.

(56) **References Cited**

**U.S. PATENT DOCUMENTS**

D478,843 S *	8/2003	Pardo	.....	D12/92
D491,843 S *	6/2004	Giugiaro	.....	D12/92
D506,161 S *	6/2005	Stephenson	.....	D12/92
D507,992 S *	8/2005	Stephenson	.....	D12/92
D551,126 S *	9/2007	Manfredini	.....	D12/92
D589,403 S *	3/2009	Saracoglu	.....	D12/92
D593,001 S *	5/2009	Crijns	.....	D12/92

D612,769 S *	3/2010	Cimatti	.....	D12/92
D617,683 S *	6/2010	Beneggi	.....	D12/92
D628,124 S *	11/2010	Stephenson	.....	D12/92
D637,112 S *	5/2011	Saracoglu	.....	D12/92
D664,475 S *	7/2012	Takahashi	.....	D12/92

\* cited by examiner

*Primary Examiner* — Melody N Brown

(74) *Attorney, Agent, or Firm* — Westerman, Hattori, Daniels & Adrian, LLP

(57) **CLAIM**

The ornamental design for an automobile, toy replica and/or other replicas, as shown and described.

**DESCRIPTION**

FIG. 1 is a perspective view from the front left side of automobile, toy replica and/or other replicas showing our new design;

FIG. 2 is a perspective view from the front right side thereof;

FIG. 3 is a front elevational view thereof, the rear elevational view being a mirror image thereof;

FIG. 4 is a left side elevational view thereof;

FIG. 5 is a right side elevational view thereof; and,

FIG. 6 is a top plan view thereof.

The portions in broken lines illustrate environmental structure only, and form no part of the claimed design.

**1 Claim, 6 Drawing Sheets**

