



US00D671454S

(12) **United States Design Patent**  
**Davidson et al.**

(10) **Patent No.:** **US D671,454 S**

(45) **Date of Patent:** **\*\* Nov. 27, 2012**

(54) **VEHICLE EXTERIOR**

(75) Inventors: **Benjamin Davidson**, Torrance, CA (US); **Guillermo Gonzalez**, Lawndale, CA (US); **Catalin Matei**, Redondo Beach, CA (US); **Dale Ogami**, Los Angeles, CA (US); **Jesus Chavez**, Torrance, CA (US); **Chirag Patel**, Dallas, TX (US)

(73) Assignee: **Honda Motor Co., Ltd.**, Tokyo (JP)

(\*\*) Term: **14 Years**

(21) Appl. No.: **29/399,491**

(22) Filed: **Aug. 15, 2011**

(51) **LOC (9) Cl.** ..... **12-08**

(52) **U.S. Cl.** ..... **D12/91**

(58) **Field of Classification Search** ..... D12/90-92,  
D12/86, 196, 164; D21/424, 433, 434; 296/181.1,  
296/181.5

See application file for complete search history.

(56) **References Cited**

U.S. PATENT DOCUMENTS

D579,823 S *	11/2008	Choi et al.	.....	D12/91
D587,170 S *	2/2009	Tokoro et al.	.....	D12/91
D599,705 S *	9/2009	Konaka et al.	.....	D12/91
D622,634 S *	8/2010	Yamamoto et al.	.....	D12/91
D630,972 S *	1/2011	Fujiwara et al.	.....	D12/91

D633,823 S *	3/2011	Matei et al.	.....	D12/91
D637,110 S *	5/2011	Sperling et al.	.....	D12/91
D638,752 S *	5/2011	Date et al.	.....	D12/91
D641,291 S *	7/2011	Sperling et al.	.....	D12/91

\* cited by examiner

*Primary Examiner* — Melody N Brown

(74) *Attorney, Agent, or Firm* — Plumsea Law Group, LLC;  
Mark E. Duell

(57) **CLAIM**

The ornamental design for a vehicle exterior, as shown and described.

**DESCRIPTION**

FIG. 1 is a perspective view of a vehicle exterior showing our new design;

FIG. 2 is a rear perspective view thereof;

FIG. 3 is a side elevational view of one side thereof;

FIG. 4 is a side elevational view of the other side thereof;

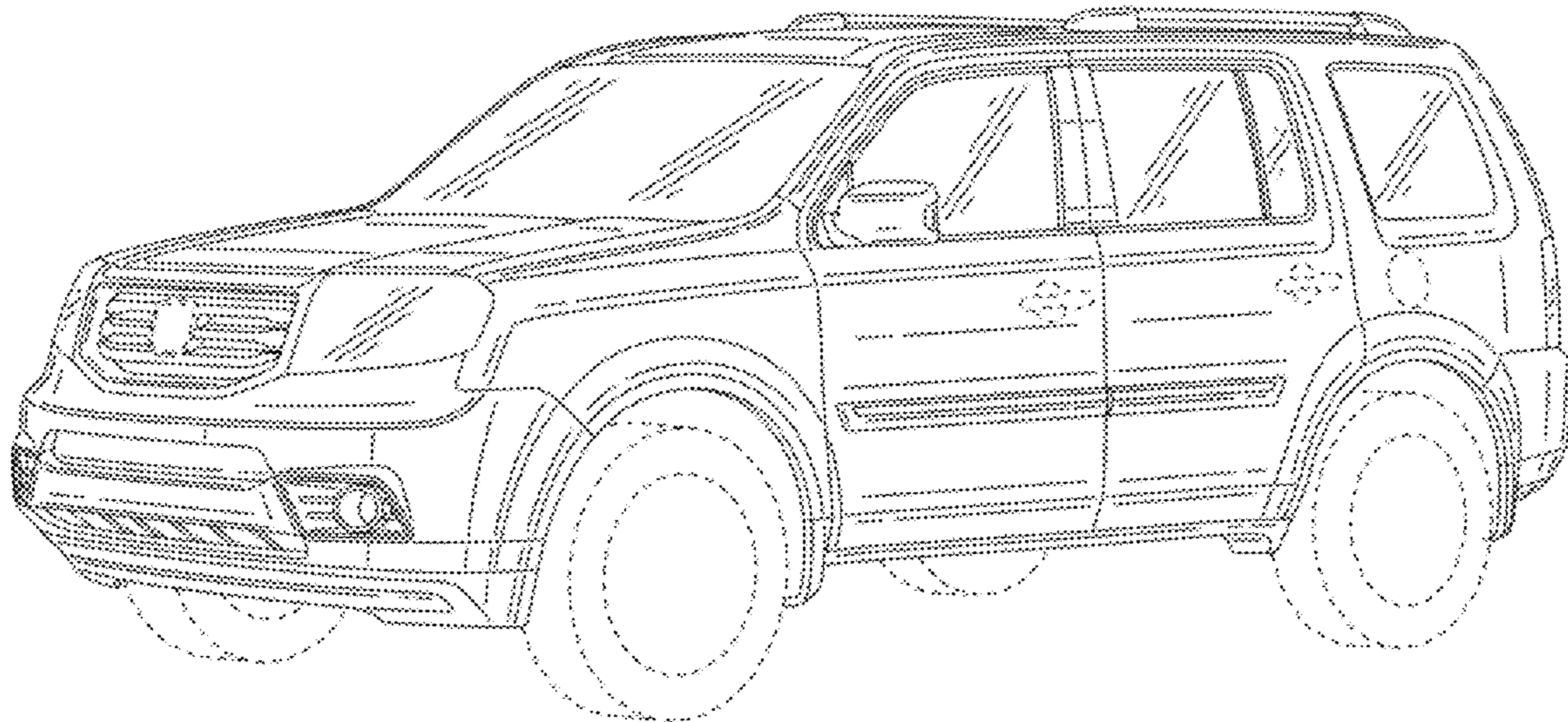
FIG. 5 is a front elevational view thereof;

FIG. 6 is a rear elevational view thereof; and,

FIG. 7 is a top plan view thereof.

The broken line showings of the wheels, tires, door handles, fuel door, grille marquee, front and rear windshield wipers, rear wiper sprayer, the rectangle in the license plate area, the marquee above the license plate area, and the tail pipes are for illustrative purposes only and form no part of the claimed design.

**1 Claim, 6 Drawing Sheets**



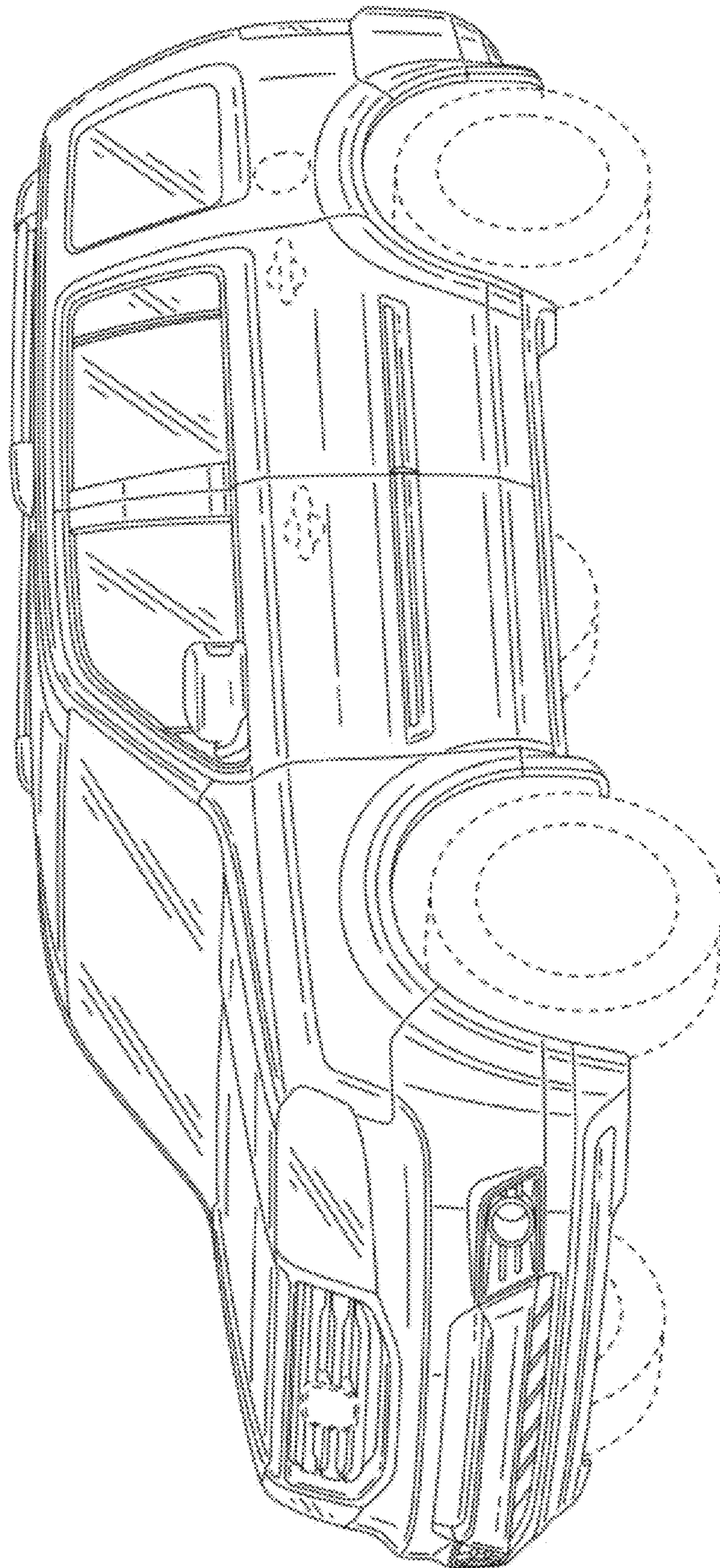


FIG. 1

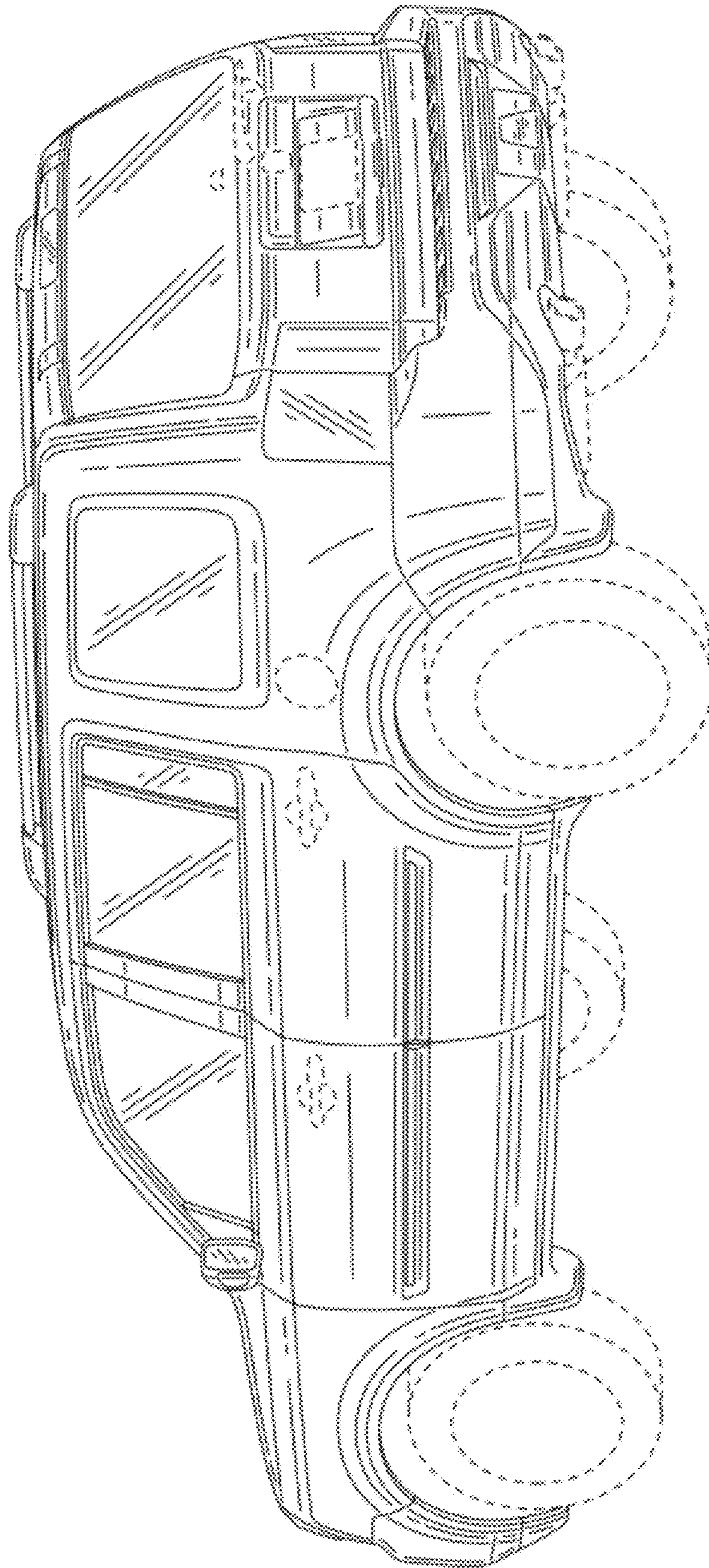


FIG. 2

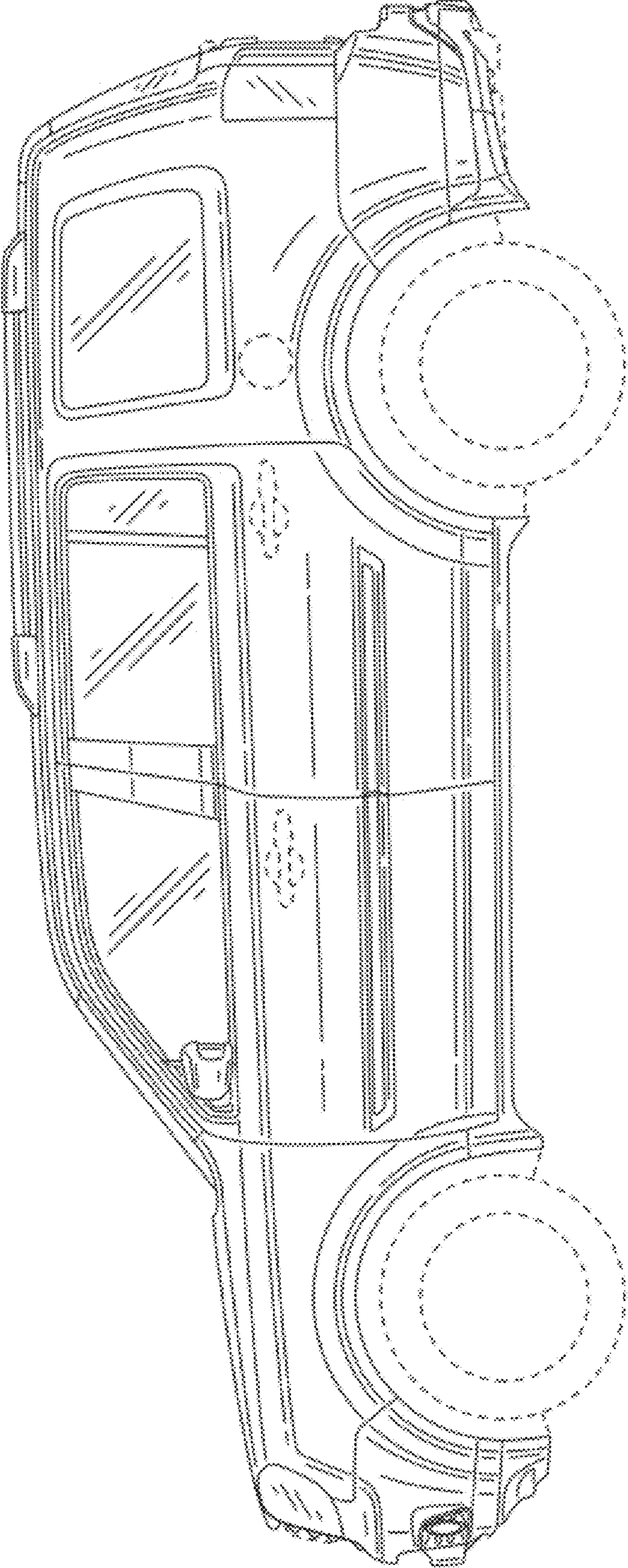


FIG. 3

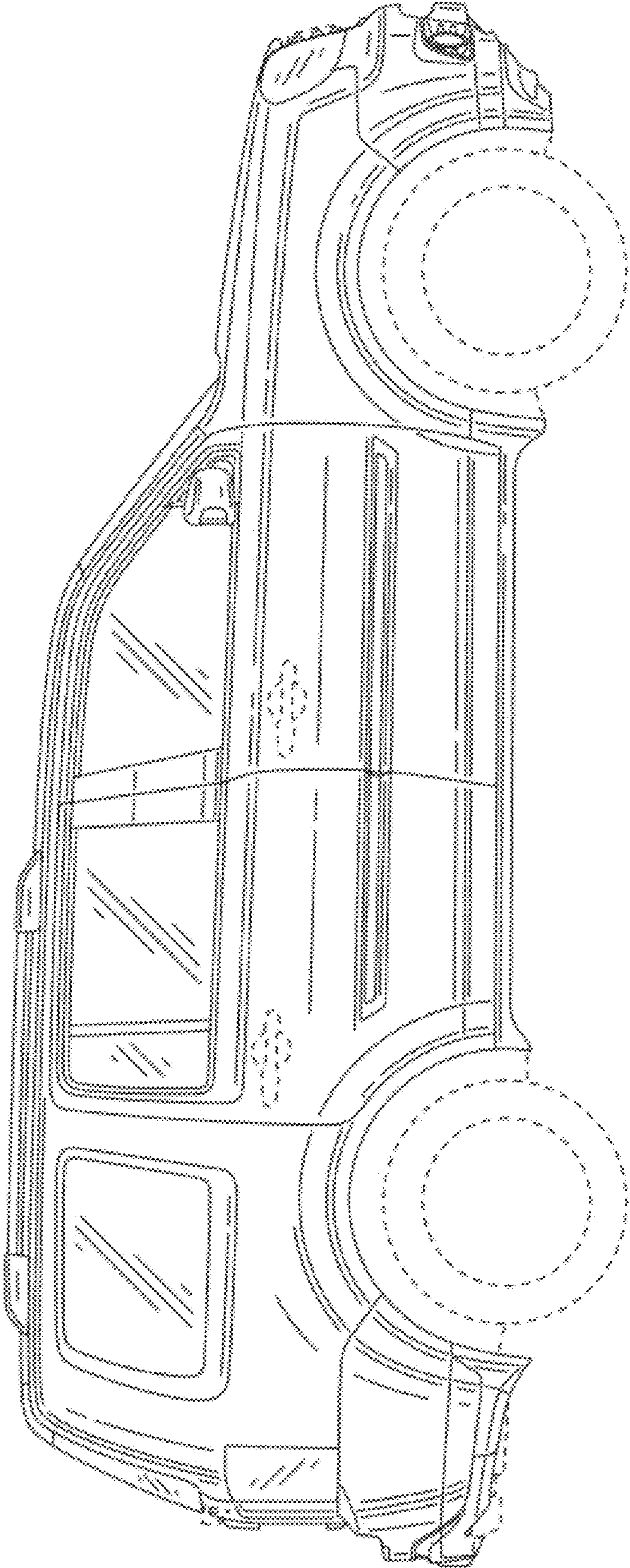
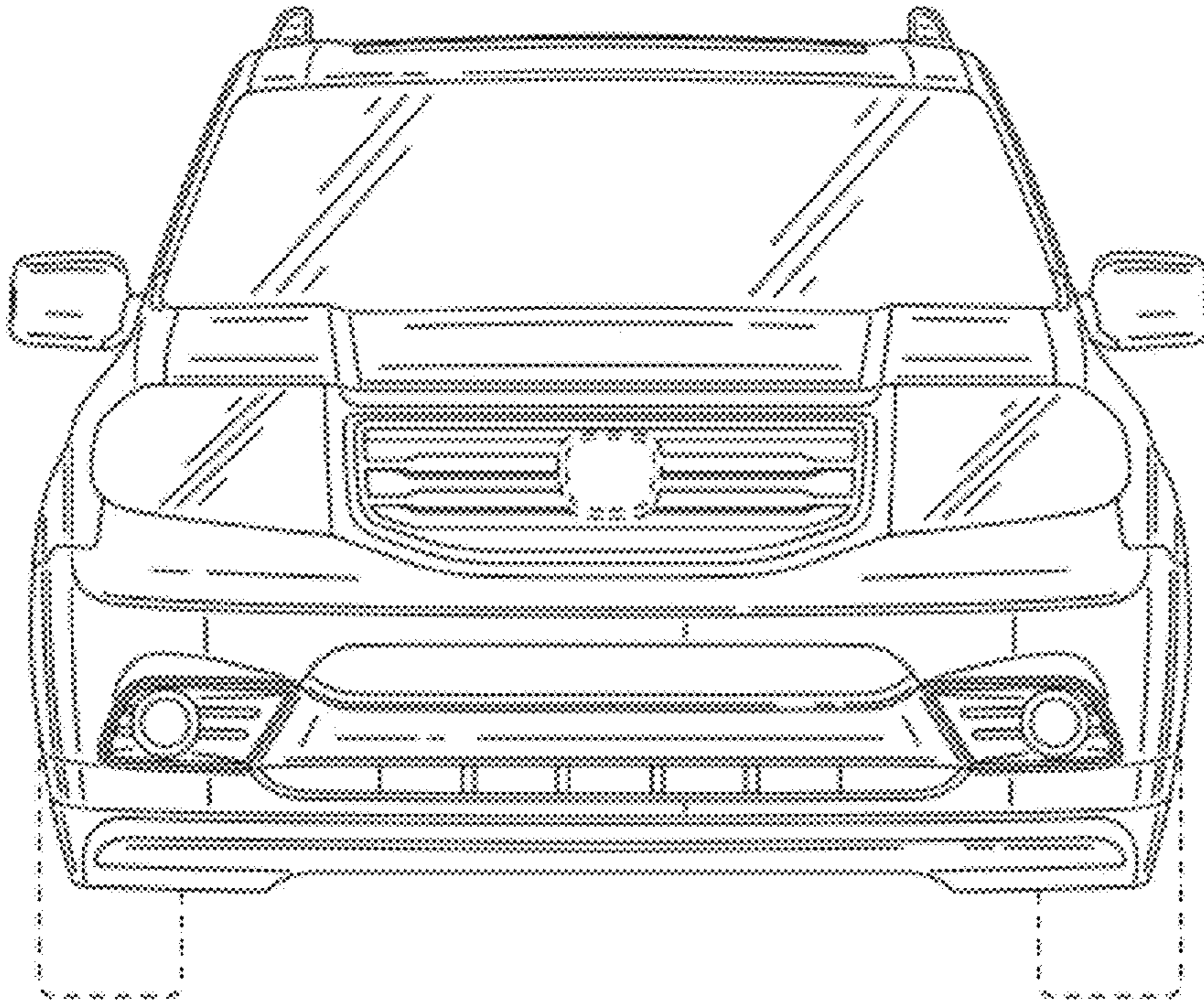
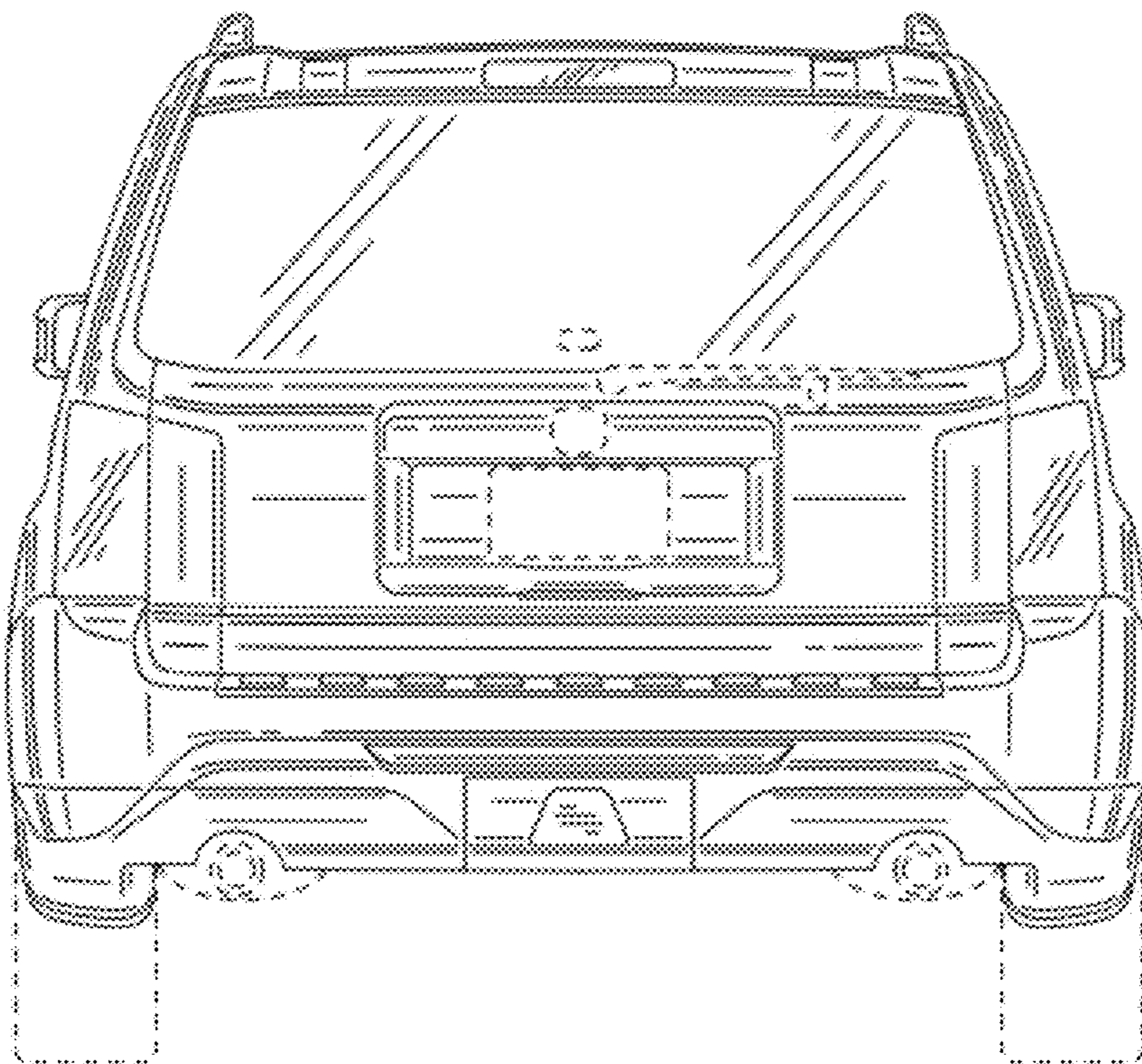


FIG. 4



**FIG. 5**



**FIG. 6**

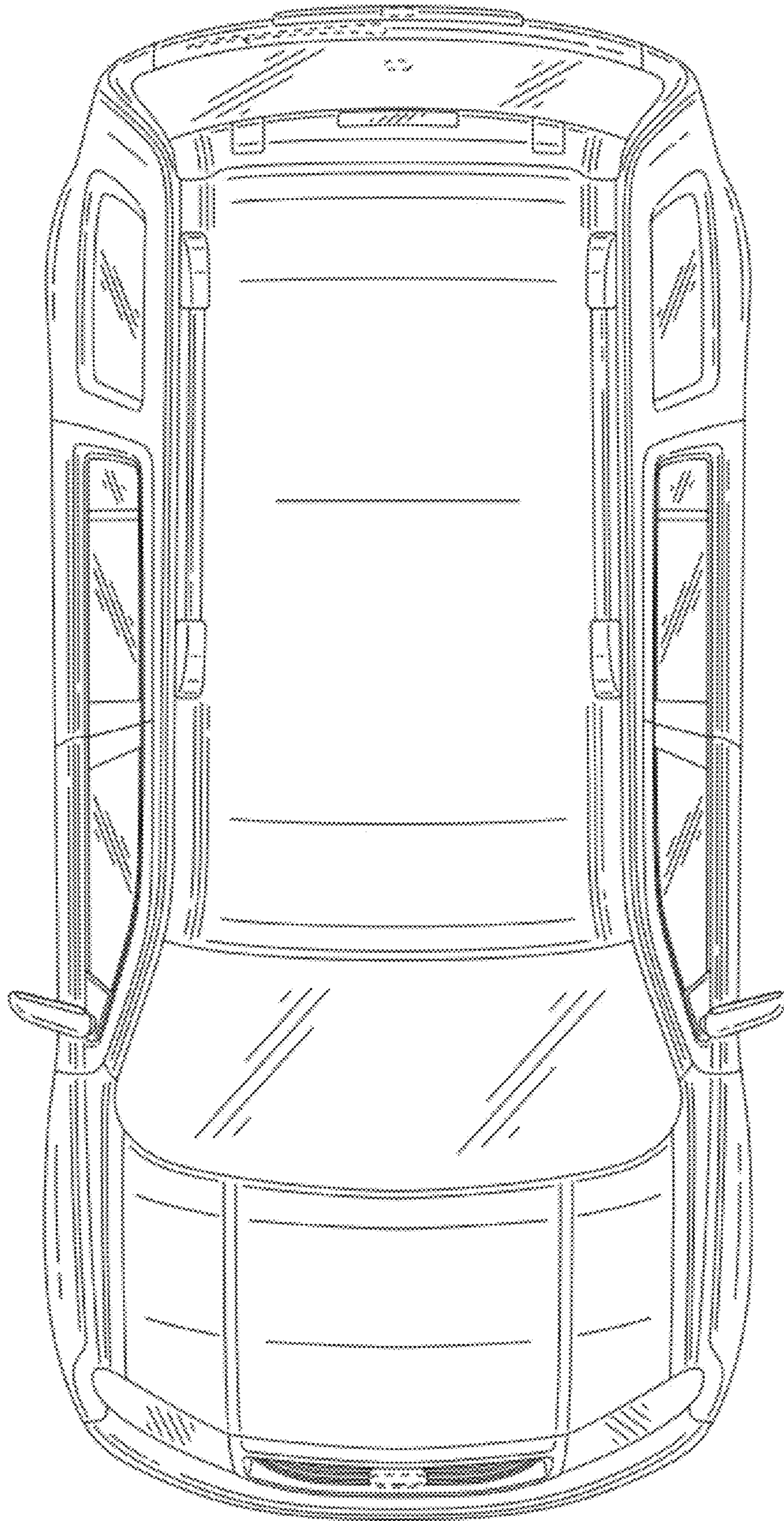


FIG. 7