



US00D671448S

(12) **United States Design Patent**
Miyazaki et al.

(10) **Patent No.:** **US D671,448 S**

(45) **Date of Patent:** **** Nov. 27, 2012**

(54) **SLIDER FOR SLIDE FASTENER**

(56) **References Cited**

(75) Inventors: **Yohei Miyazaki**, Toyama-ken (JP);
Nanahiko Mio, Milan (IT)

(73) Assignee: **YKK Corporation** (JP)

(**) Term: **14 Years**

(21) Appl. No.: **29/408,464**

(22) Filed: **Dec. 13, 2011**

(30) **Foreign Application Priority Data**

Jun. 15, 2011 (EM) 001878083-0002

(51) **LOC (9) Cl.** **02-07**

(52) **U.S. Cl.** **D11/221**

(58) **Field of Classification Search** D11/200,
D11/201, 221; 24/381-383, 385-387, 414-417,
24/421-422, 427-431, 433; 2/265

See application file for complete search history.

U.S. PATENT DOCUMENTS			
D497,836	S	*	11/2004 Iwase D11/221
D629,333	S	*	12/2010 Miyazaki et al. D11/221
D643,779	S	*	8/2011 Di Girolami et al. D11/221
D653,171	S	*	1/2012 Hamada et al. D11/221
D655,646	S	*	3/2012 Hamada et al. D11/221

* cited by examiner

Primary Examiner — Ralf Seifert

(74) *Attorney, Agent, or Firm* — Kilpatrick Townsend & Stockton LLP

(57) **CLAIM**

The ornamental design for a slider for a slide fastener, as shown and described.

DESCRIPTION

FIG. 1 is a perspective view of the bottom, front and right side of a slider for a slide fastener showing my (our) new design; FIG. 2 is a front view thereof; FIG. 3 is a rear view thereof; FIG. 4 is a right side view thereof; the left side view being mirror image thereof; FIG. 5 is a top plan view thereof; and, FIG. 6 is a bottom view thereof.

1 Claim, 5 Drawing Sheets

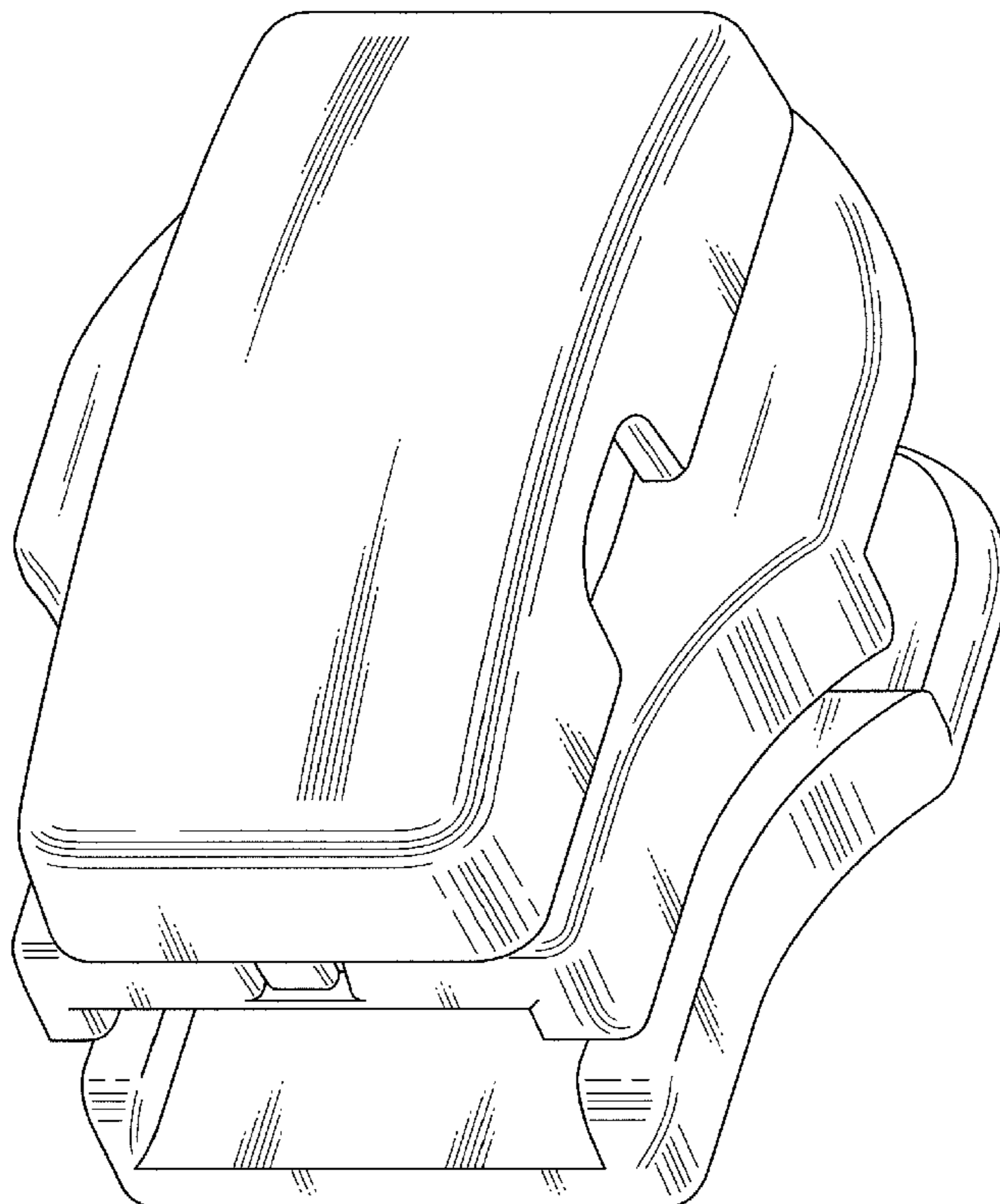


Fig. 1

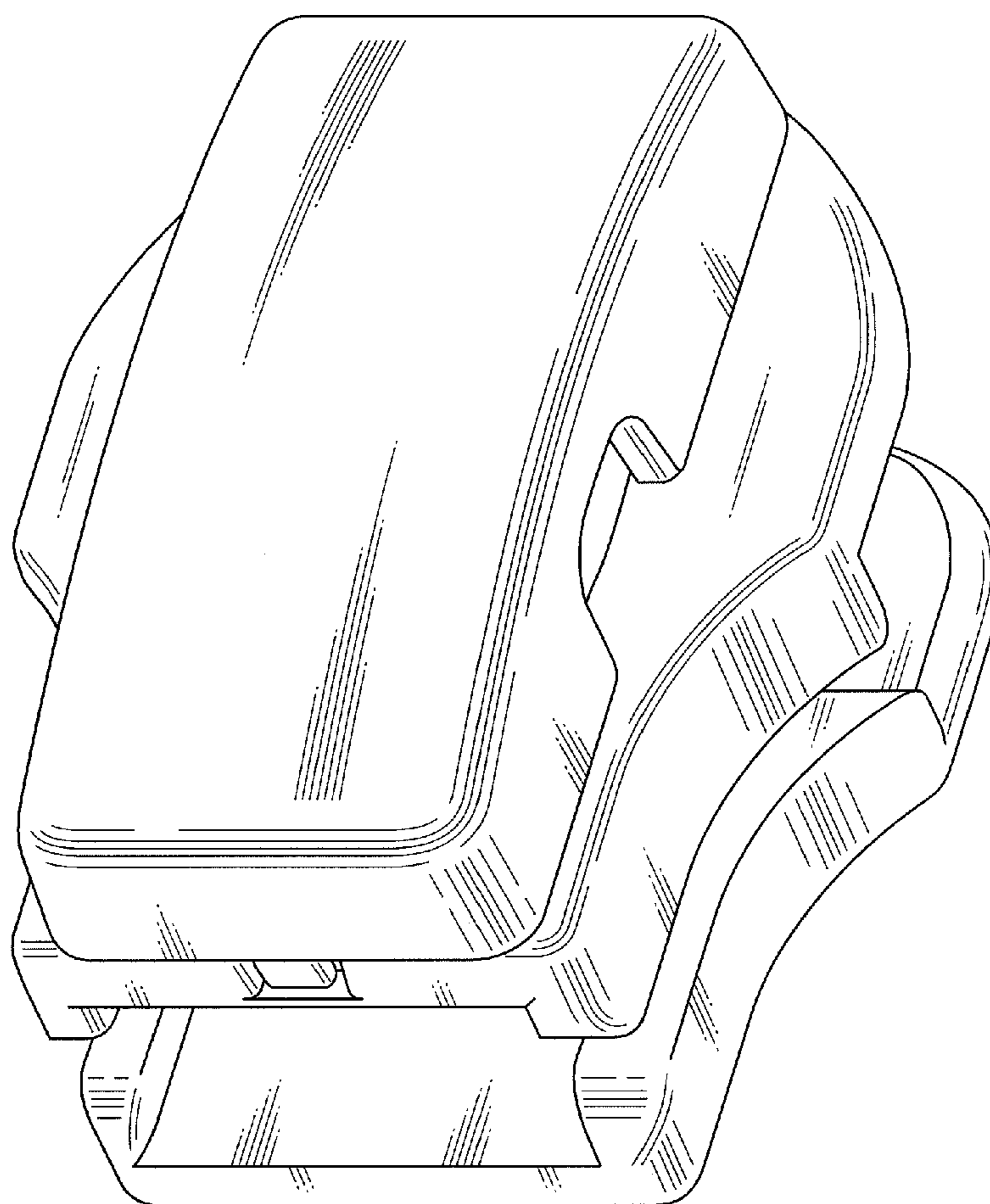


Fig. 2

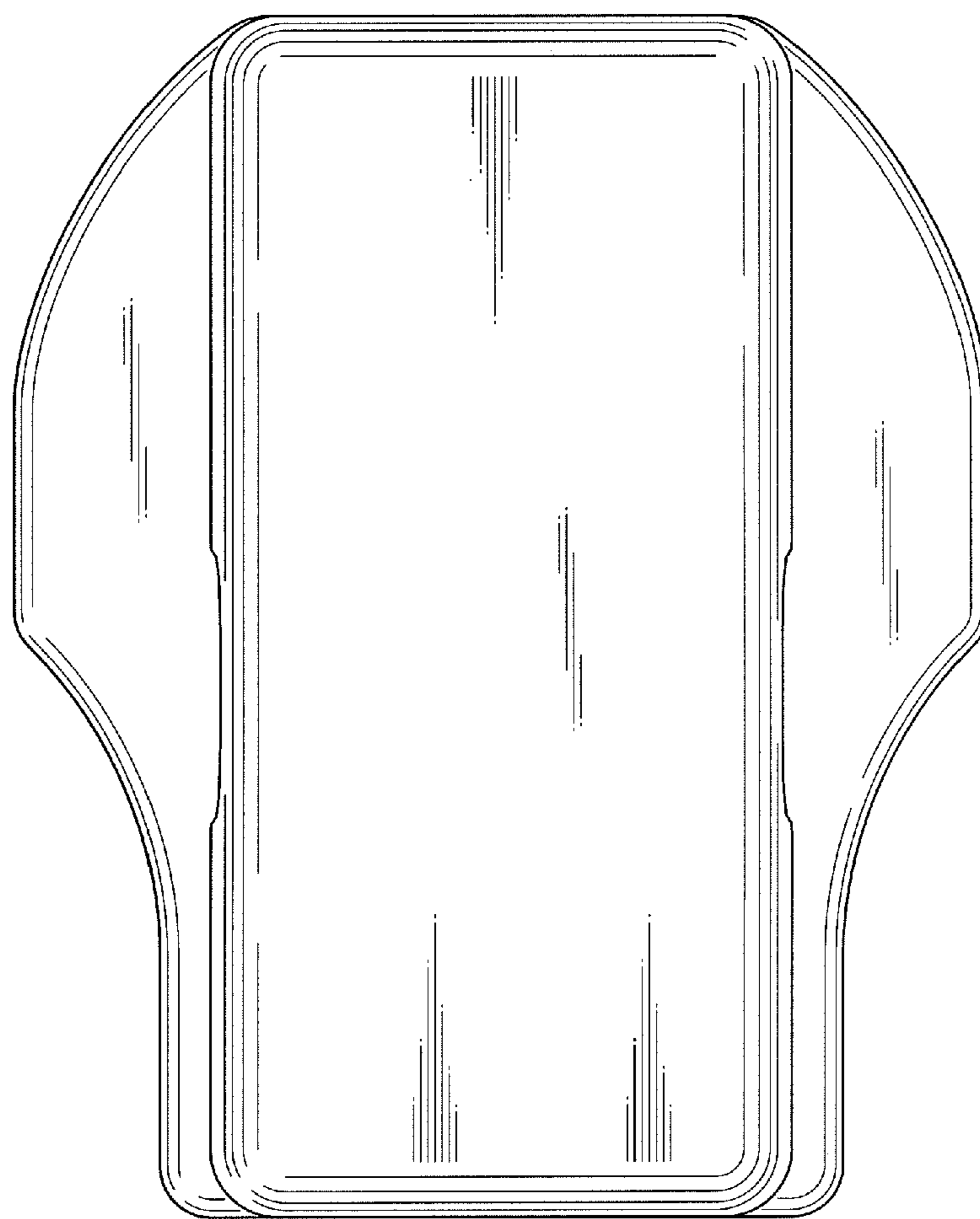


Fig. 3

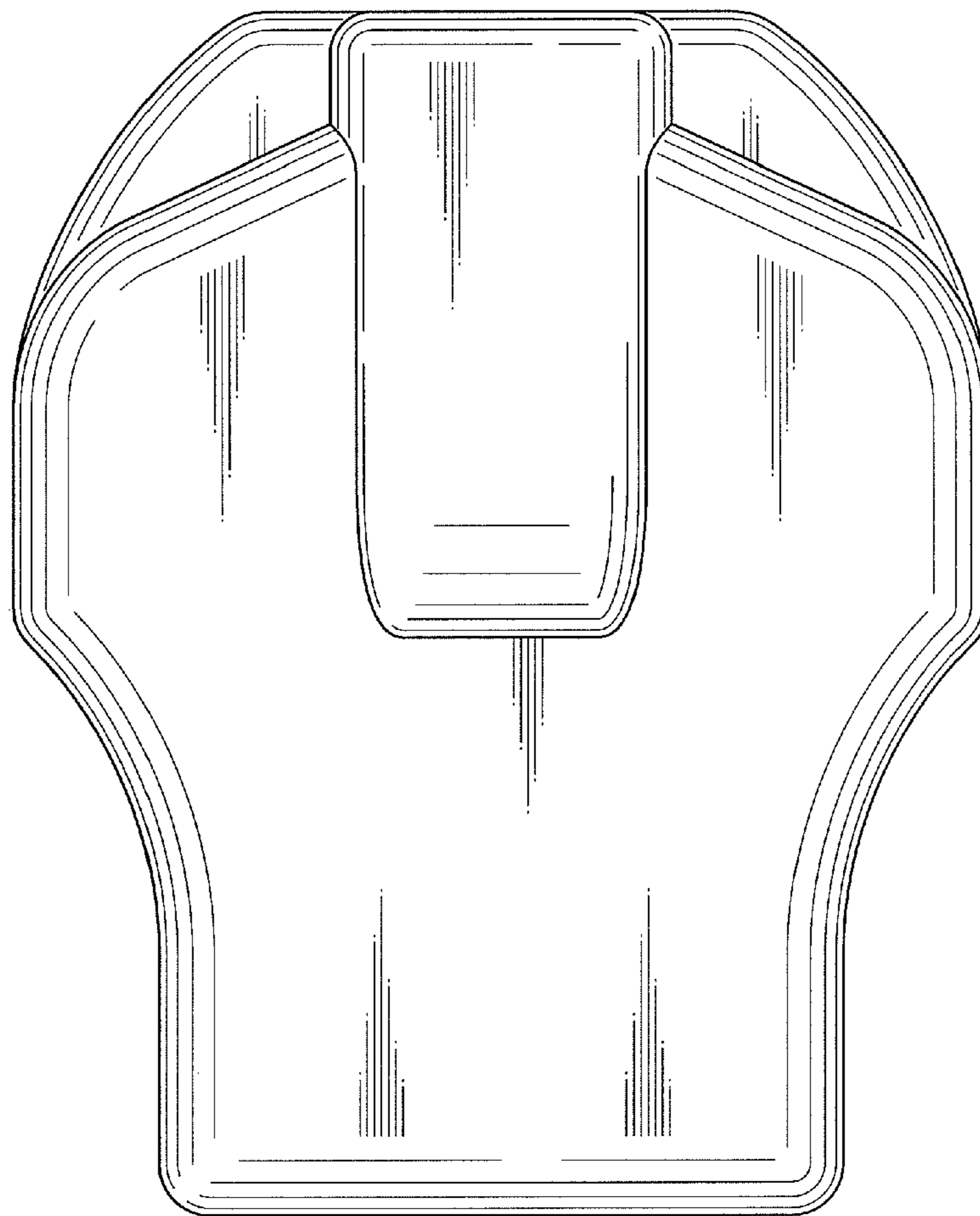


Fig. 4

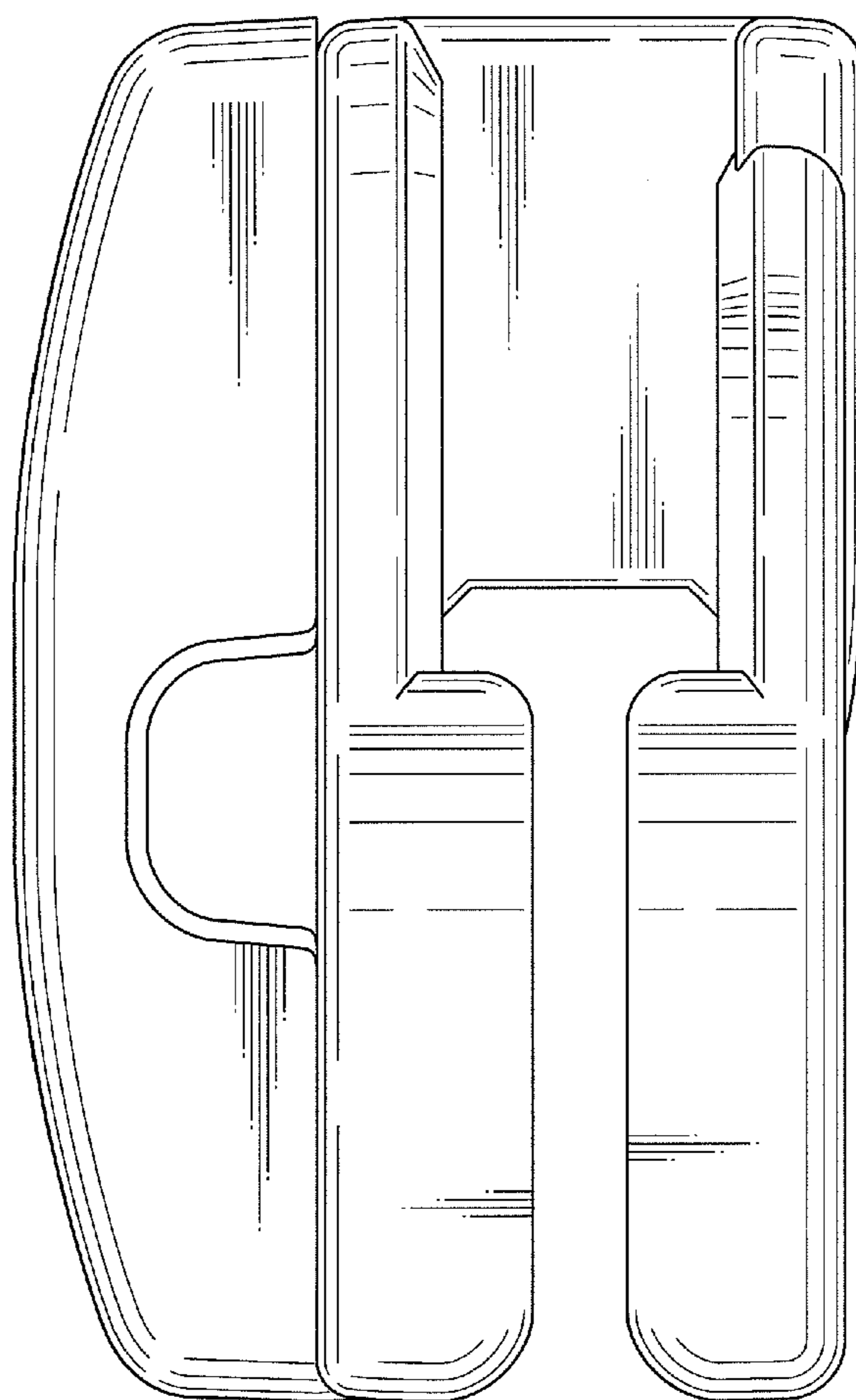


Fig. 5

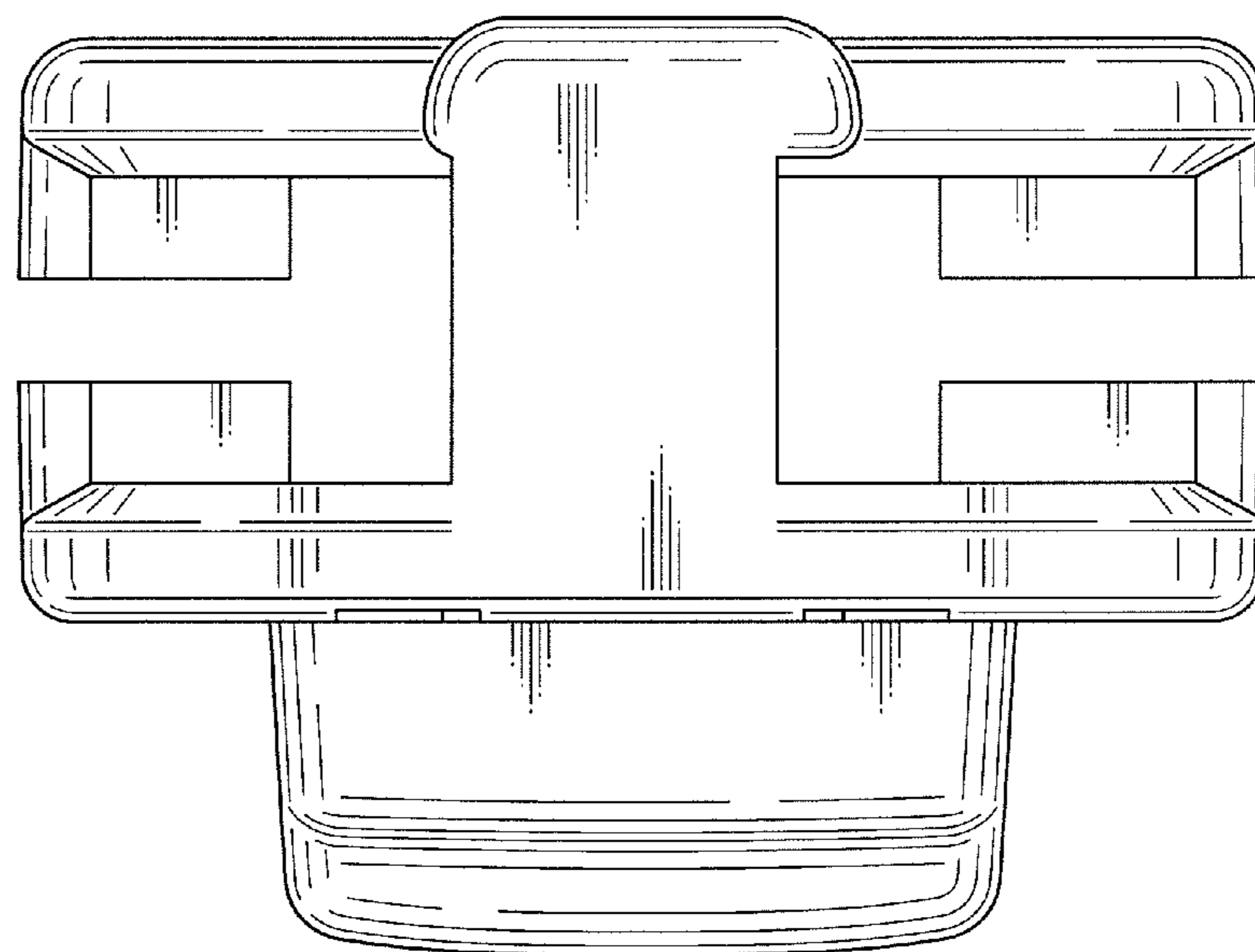


Fig. 6

