



US00D671447S

(12) **United States Design Patent**
Nerison, Sr.

(10) **Patent No.:** **US D671,447 S**

(45) **Date of Patent:** **** Nov. 27, 2012**

(54) **TIE DOWN BUCKLE**

D389,779 S * 1/1998 Poynter D11/218
D402,189 S * 12/1998 Izumi D8/382
D637,942 S * 5/2011 Lee et al. D11/218

(76) Inventor: **Robert N. Nerison, Sr.**, Montevideo,
MN (US)

(**) Term: **14 Years**

(21) Appl. No.: **29/410,214**

(22) Filed: **Jan. 5, 2012**

(51) **LOC (9) Cl.** **02-07**

(52) **U.S. Cl.** **D11/218; D11/210**

(58) **Field of Classification Search** D11/1-2,
D11/200-201, 206-210, 214-218; 24/163 R,
24/169-171, 173, 177-179, 191, 194-195,
24/197, 200, 614-616, 625, 198

See application file for complete search history.

(56) **References Cited**

U.S. PATENT DOCUMENTS

3,447,208 A 6/1969 Beach
4,665,592 A * 5/1987 Kasai 24/601.2
4,868,954 A * 9/1989 Kasai 24/601.2
D354,676 S * 1/1995 Izumi et al. D8/367
D355,585 S * 2/1995 Terada et al. D8/367
D365,978 S * 1/1996 Rekuc et al. D8/367

OTHER PUBLICATIONS

M Buckle used on USMC "782" Harversacks in WW2, prior to Jan.
5, 2012, 1 page.

* cited by examiner

Primary Examiner — Ralf Seifert

(74) *Attorney, Agent, or Firm* — Patterson Thunte
Christensen Pedersen, P.A.

(57) **CLAIM**

I claim the ornamental design for tie down buckle, as shown.

DESCRIPTION

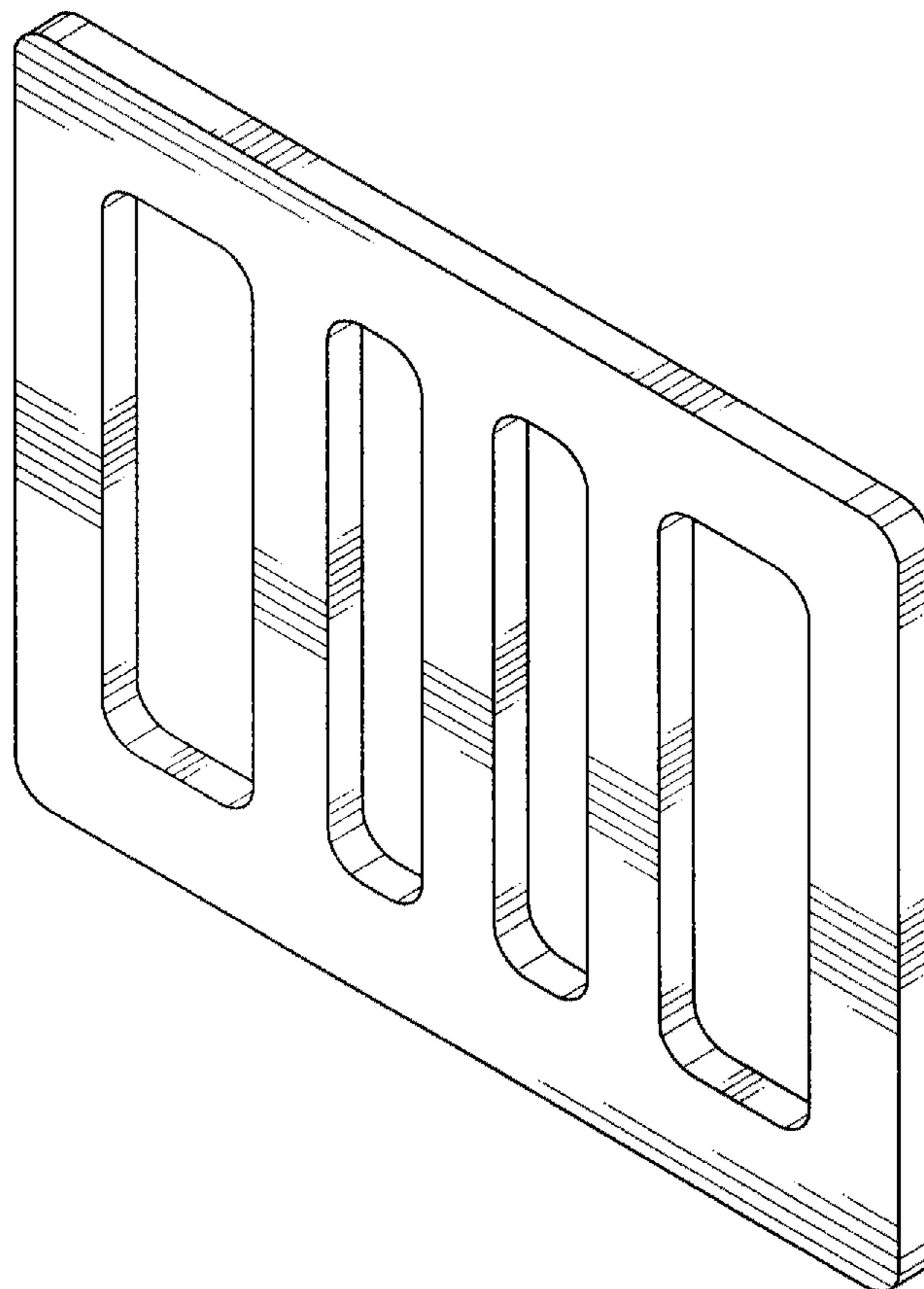
FIG. 1 is a perspective view of a tie down buckle according to
an embodiment of the invention.

FIG. 2 is a end elevational view of the tie down buckle
depicted in FIG. 1.

FIG. 3 is a side elevational view of the tie down buckle
according to another embodiment of the invention; and,

FIG. 4 is a planform view of the tie down buckle according to
another embodiment of the invention.

1 Claim, 2 Drawing Sheets



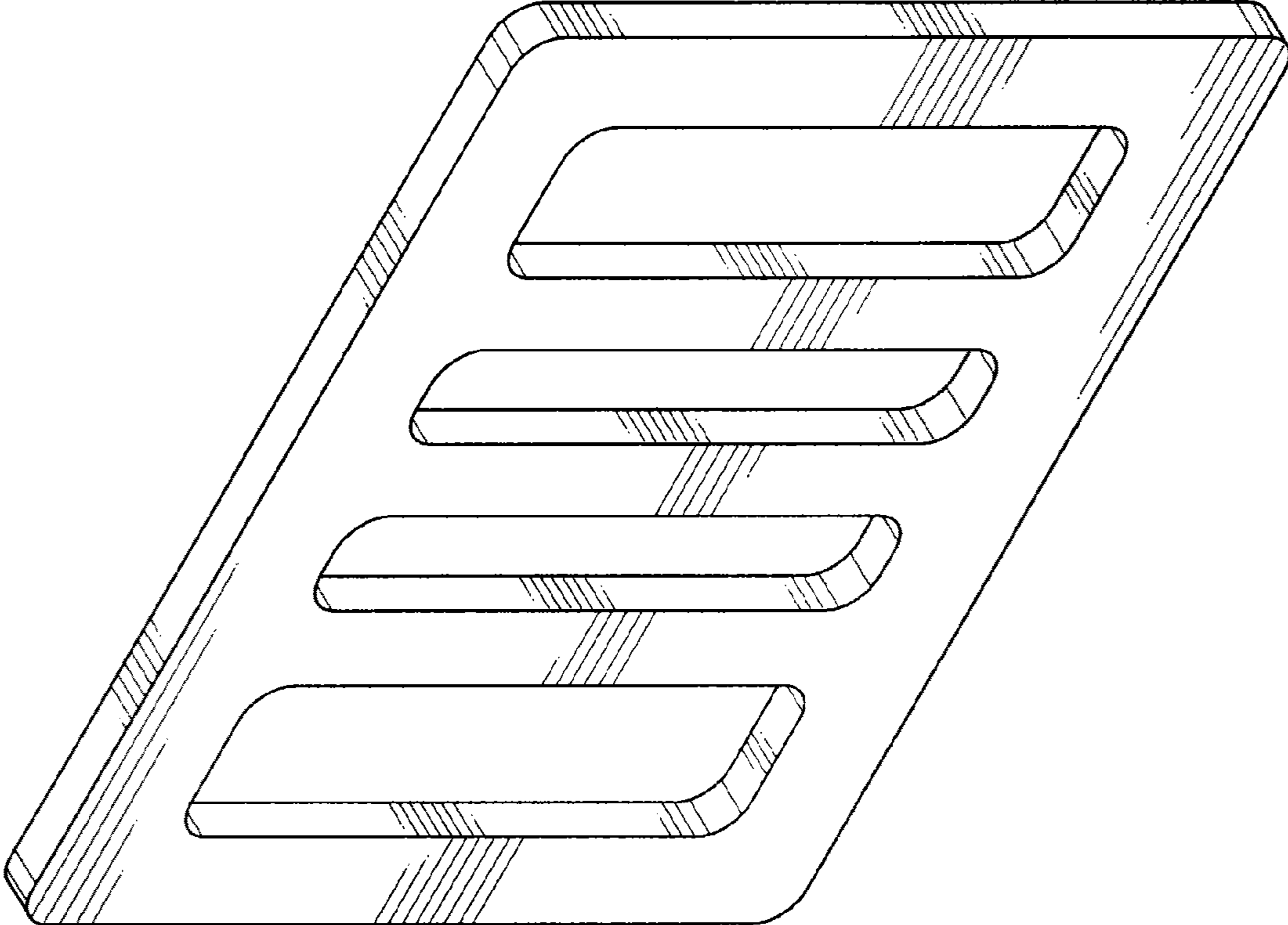


Fig. 1

Fig. 2

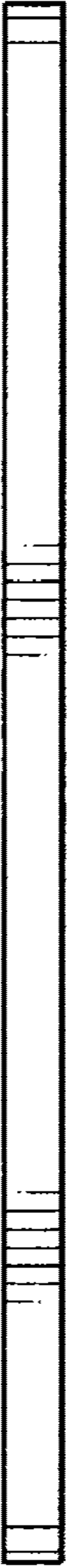


Fig. 3

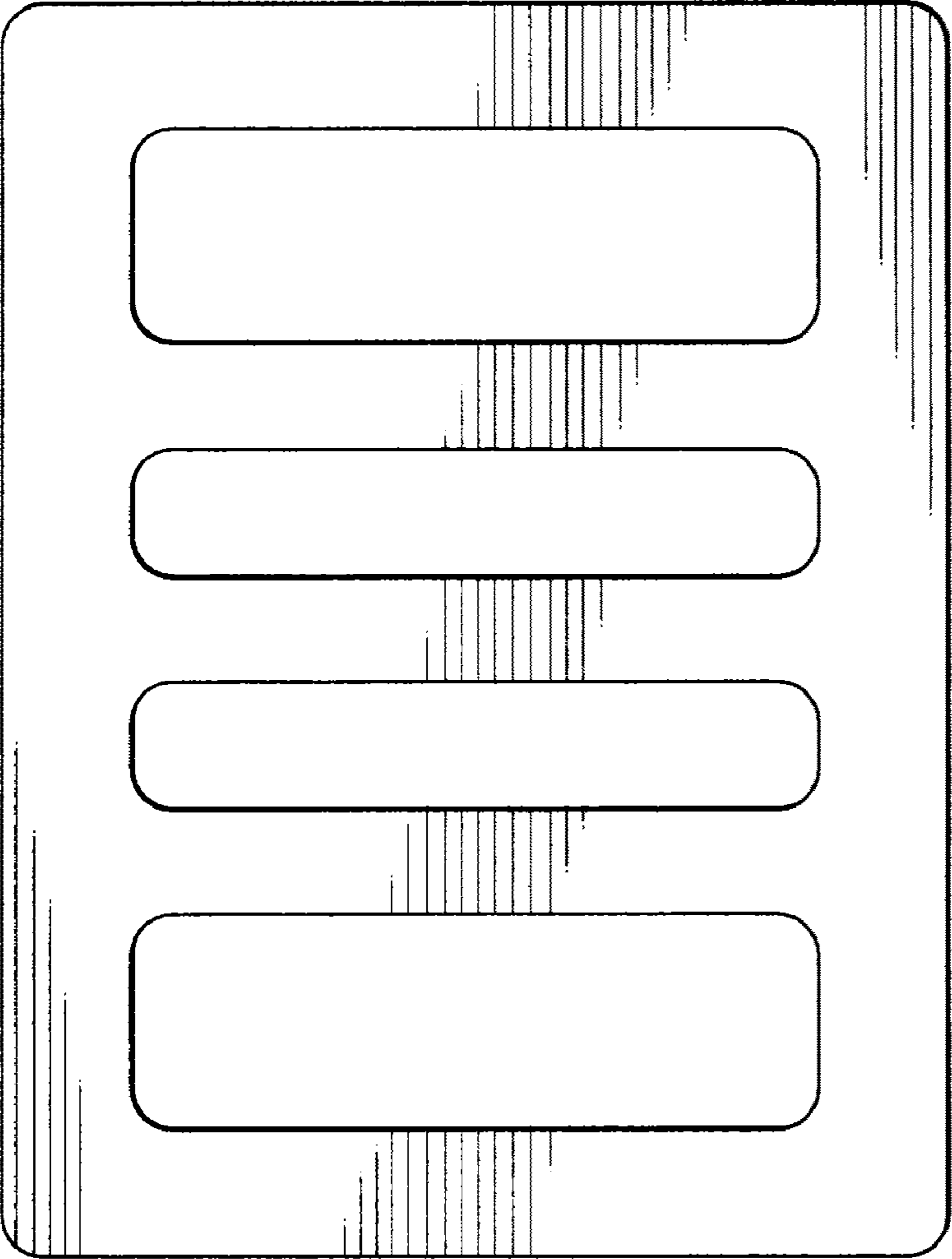


Fig. 4

