

US00D671446S

(12) **United States Design Patent**
Paik et al.

(10) **Patent No.:** **US D671,446 S**

(45) **Date of Patent:** **** Nov. 27, 2012**

(54) **SPHERE LOCK**

(76) Inventors: **Jisook Paik**, Seoul (KR); **Nan Hee Paik**, Seoul (KR); **Ji Hye Paik**, Seoul (KR); **Ji Won Son**, Seoul (KR)

(**) Term: **14 Years**

(21) Appl. No.: **29/408,852**

(22) Filed: **Dec. 16, 2011**

(30) **Foreign Application Priority Data**

Jul. 14, 2011 (KR) 30-2011-0029190

(51) **LOC (9) Cl.** **02-07**

(52) **U.S. Cl.** **D11/218**

(58) **Field of Classification Search** D11/1-2,
D11/200-201, 206-210, 214-218; 24/163 R,
24/169-171, 173, 177-179, 191, 194-195,
24/197, 200, 614-616, 625, 198
See application file for complete search history.

(56) **References Cited**

U.S. PATENT DOCUMENTS

D340,008 S * 10/1993 Anscher D11/218
D398,262 S * 9/1998 Anscher D11/218
D452,185 S * 12/2001 Yoshiguchi D11/218
D467,838 S * 12/2002 Yoshiguchi D11/218

D508,218 S * 8/2005 Yoshiguchi D11/218
D509,769 S * 9/2005 Krauss D11/218
D520,908 S * 5/2006 Haymond D11/218
D521,898 S * 5/2006 Anscher D11/216
7,552,515 B2 * 6/2009 Funo 24/200
D610,946 S * 3/2010 Harada D11/218
D614,995 S * 5/2010 Pontaoe D11/212

* cited by examiner

Primary Examiner — Ralf Seifert

(74) *Attorney, Agent, or Firm* — Allen (Zhi Yang) Xue;
Anova Law Group, PLLC

(57) **CLAIM**

The ornamental design for a sphere lock, as shown and described.

DESCRIPTION

FIG. 1 is a perspective view of a sphere lock, showing my new design;
FIG. 2 is a front elevational view thereof;
FIG. 3 is a rear elevational view thereof;
FIG. 4 is a left side elevational view thereof;
FIG. 5 is a right side elevational view thereof;
FIG. 6 is a top plan view thereof;
FIG. 7 is a bottom plan view thereof; and,
FIG. 8 is a cross-sectional view of the reference perspective view in FIG. 2.

1 Claim, 3 Drawing Sheets

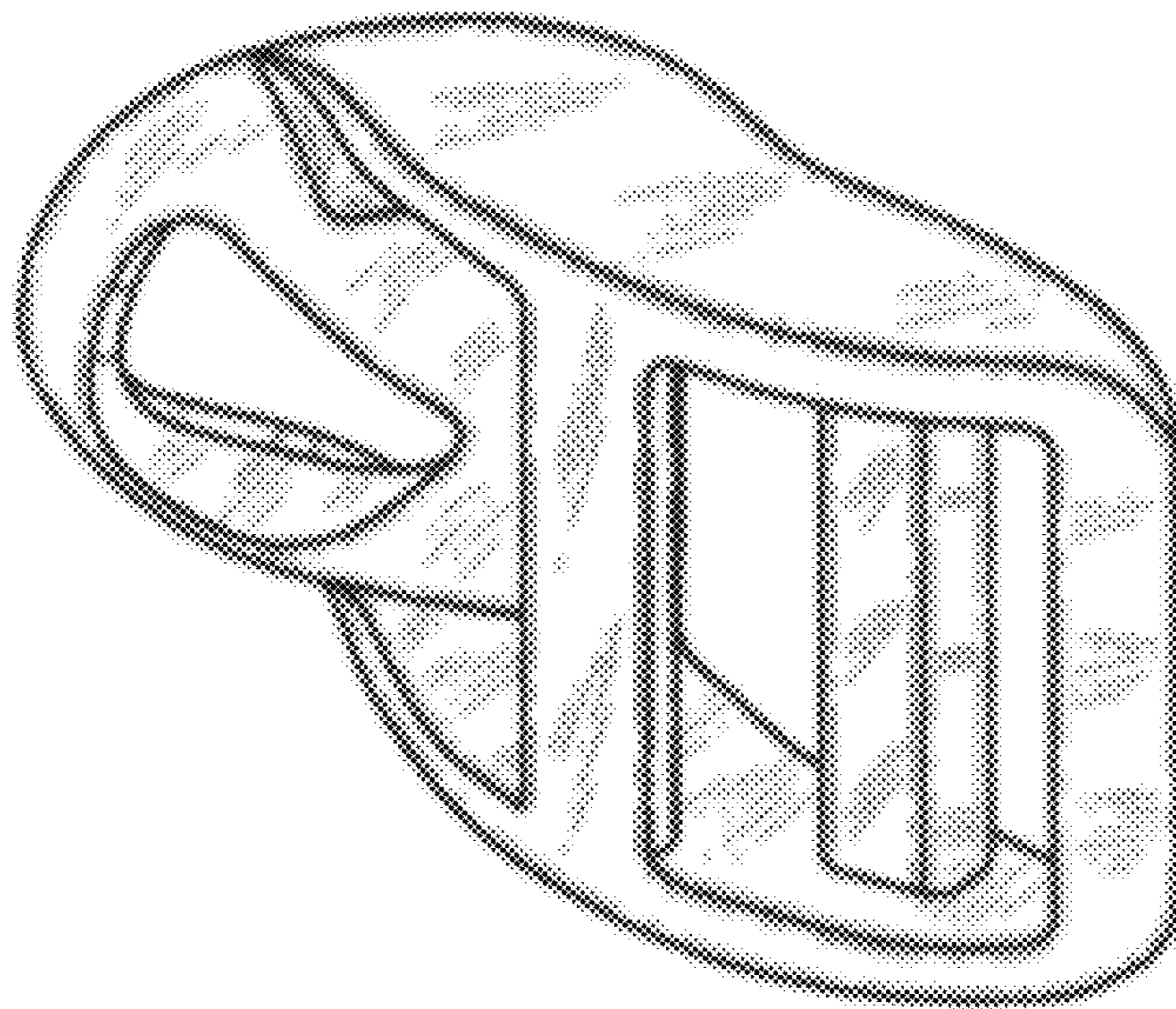


Fig. 1

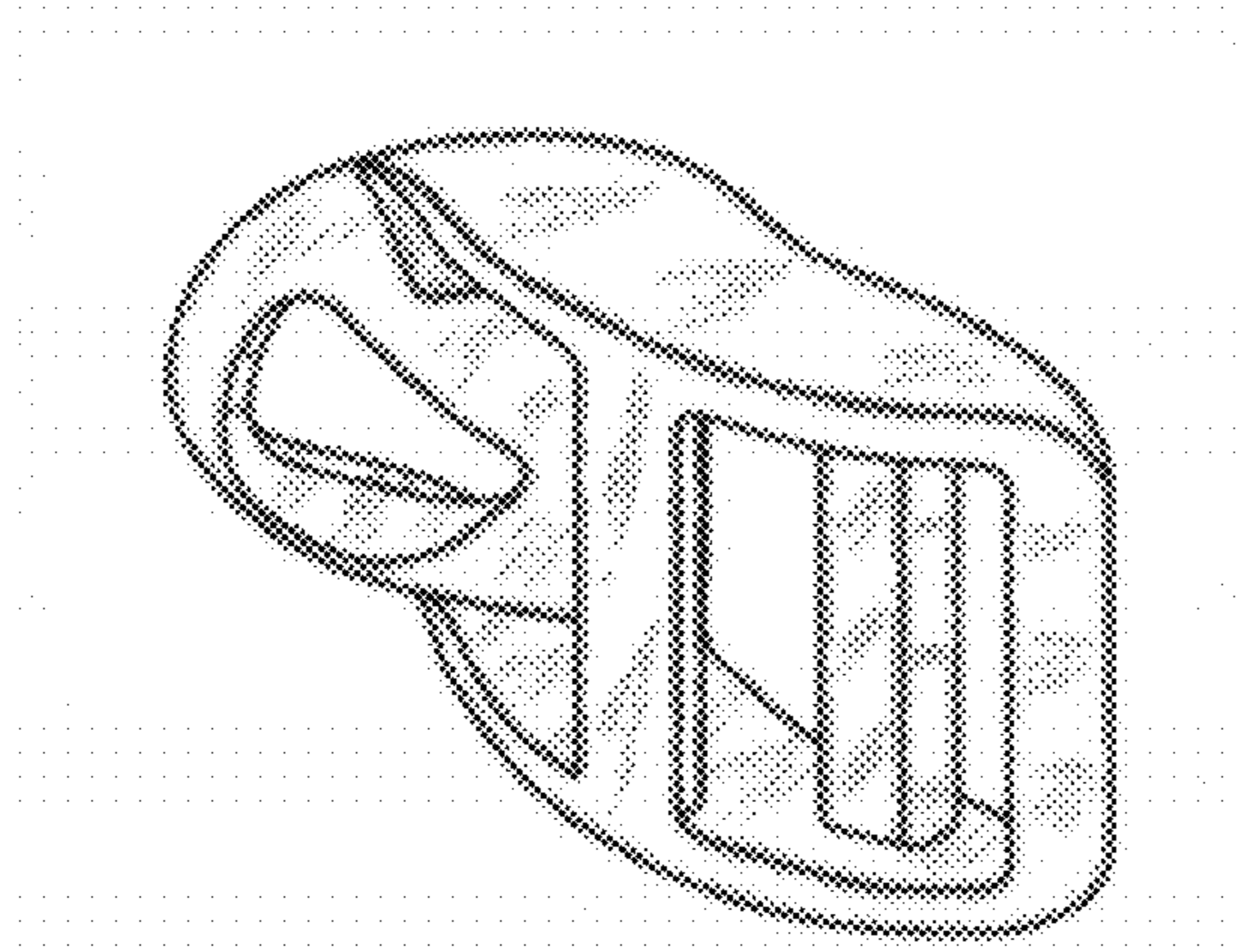


Fig. 2

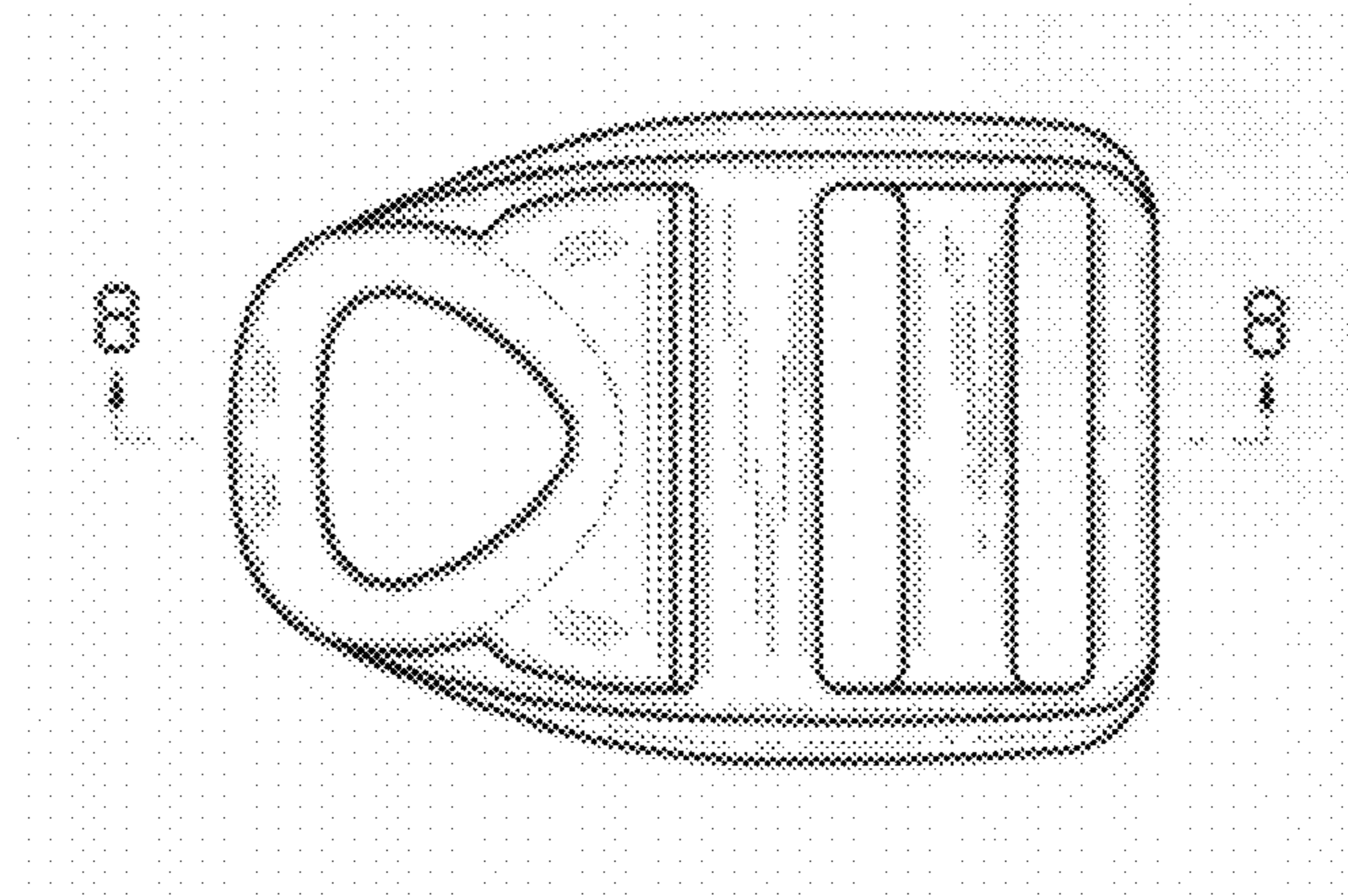


Fig. 3

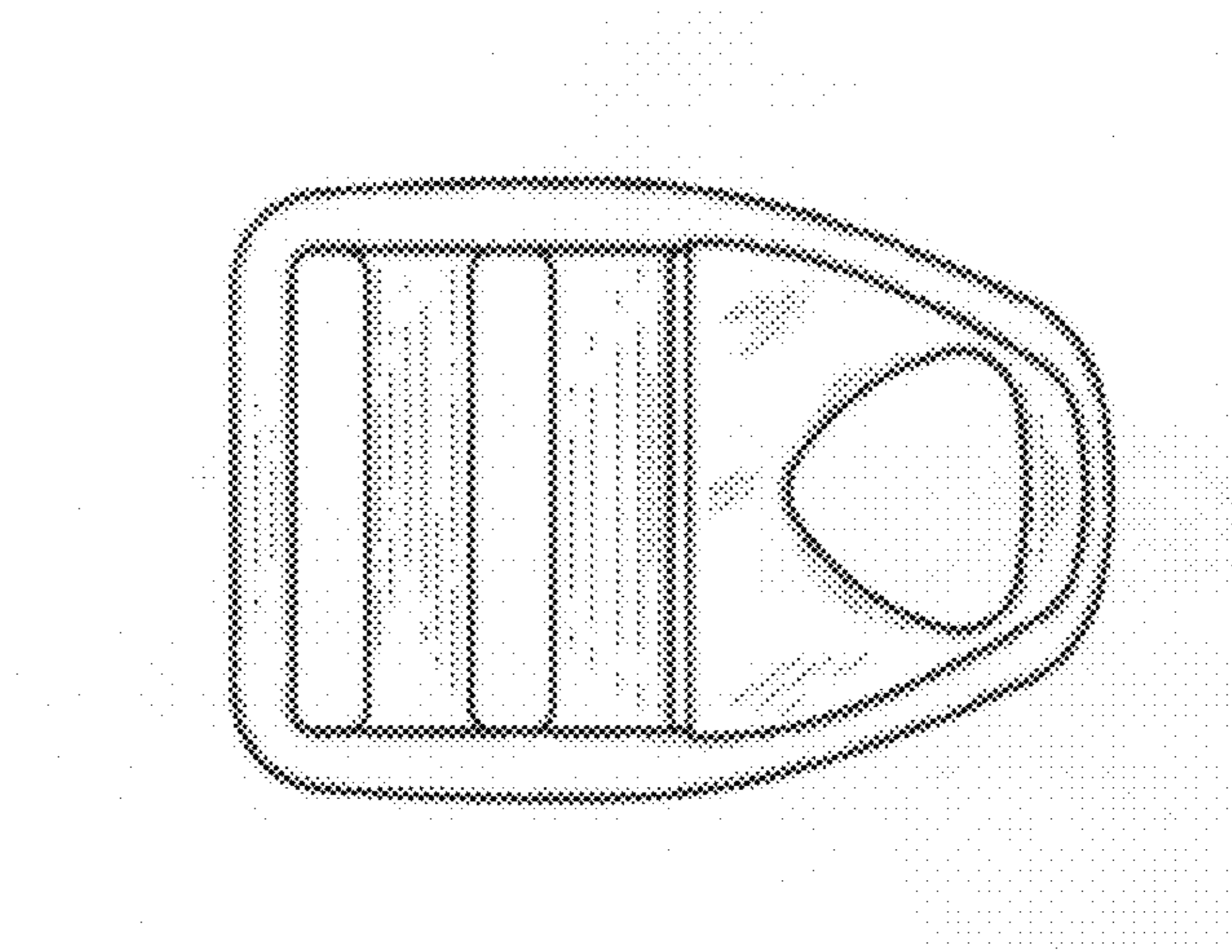


Fig. 4

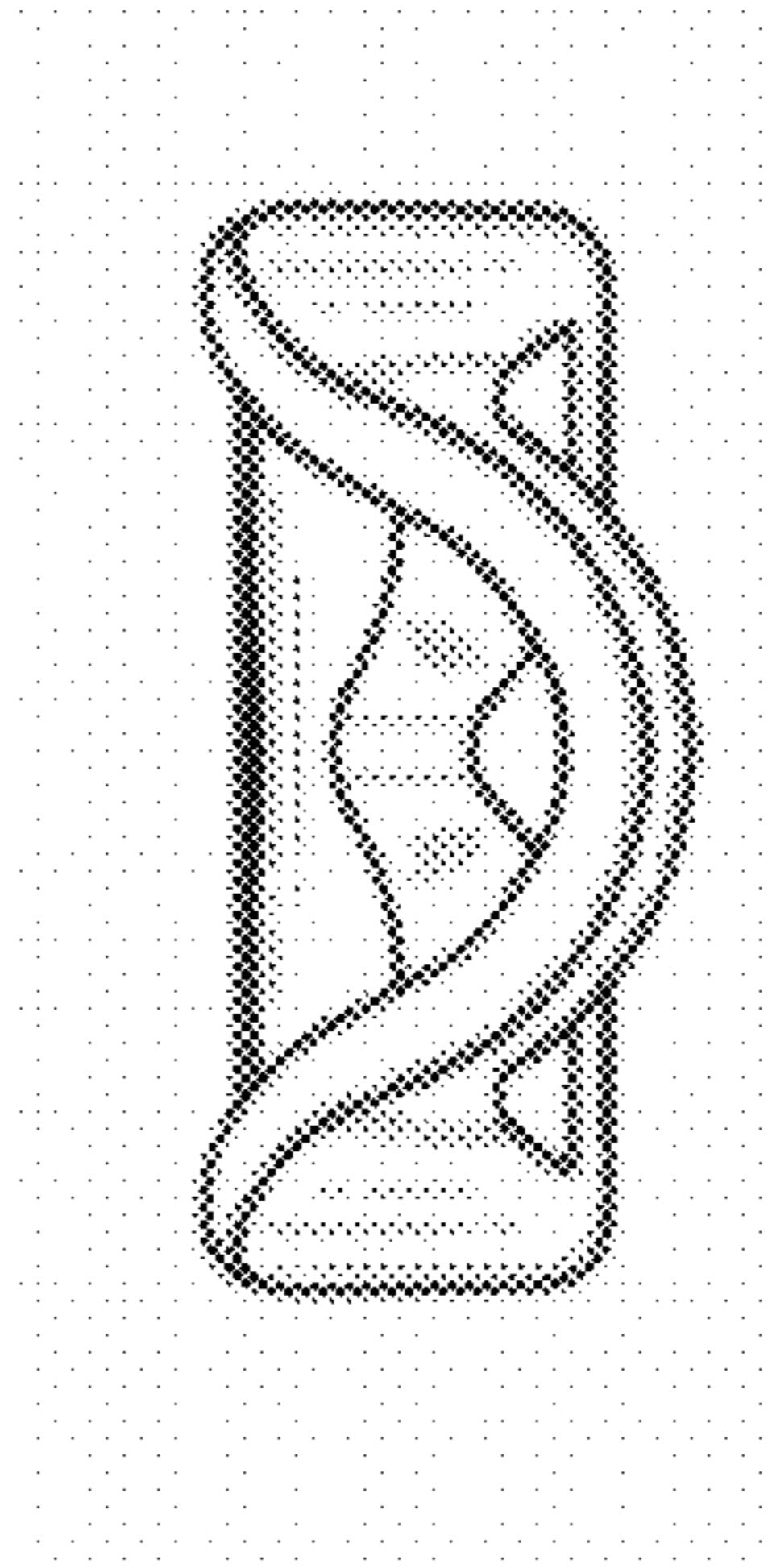


Fig. 5

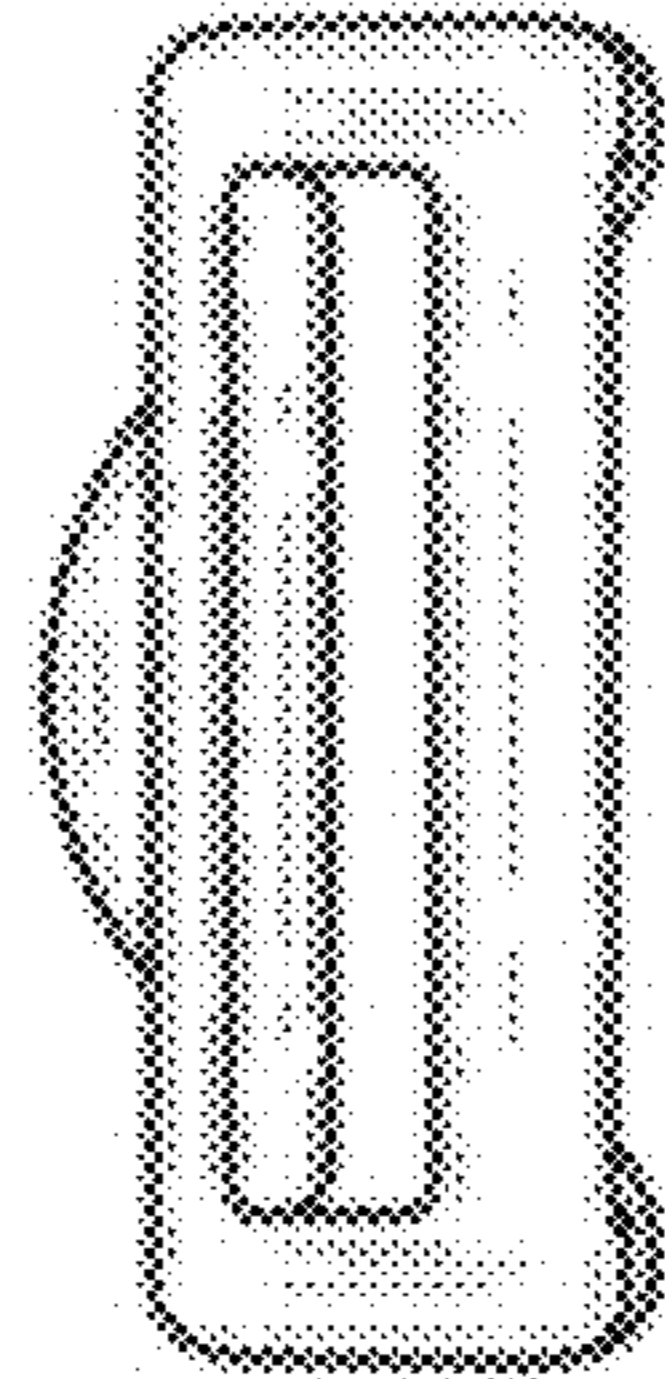


Fig. 6

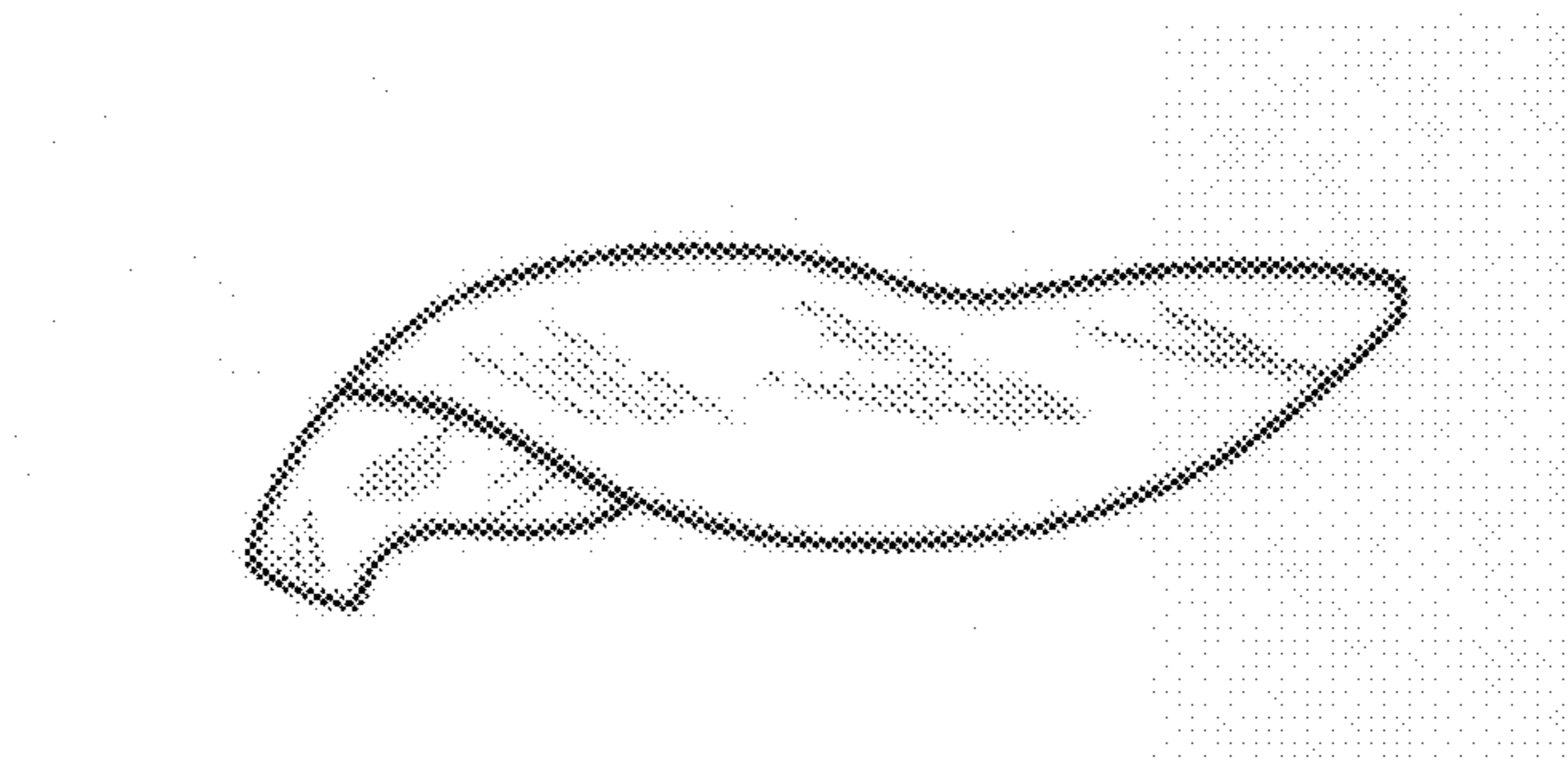


Fig. 7

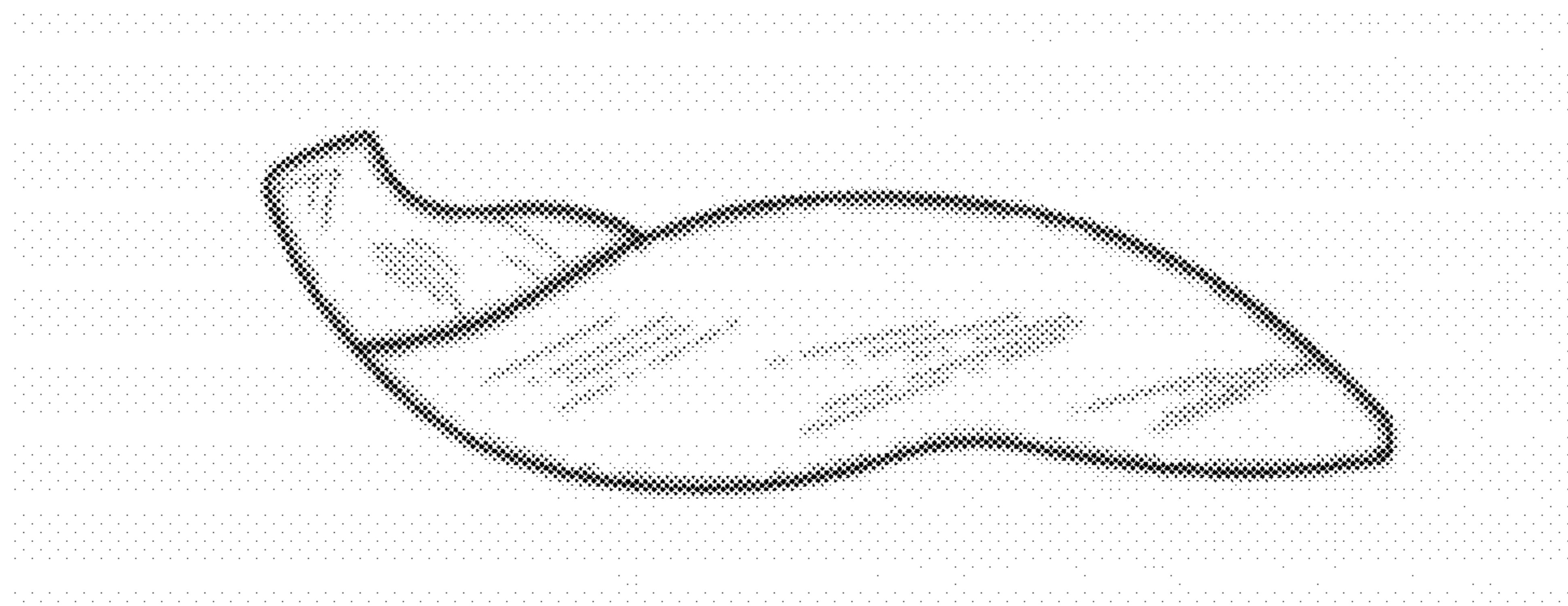


Fig. 8

