



US00D671437S

(12) **United States Design Patent**
Primos et al.

(10) **Patent No.:** **US D671,437 S**

(45) **Date of Patent:** **** Nov. 27, 2012**

(54) **GRUNT WHEEZE GAME CALL APPARATUS**

(75) Inventors: **Wilbur R. Primos**, Madison, MS (US);
Anthony A. Foster, Brookhaven, MS (US)

(73) Assignee: **Primos, Inc.**, Flora, MS (US)

(**) Term: **14 Years**

(21) Appl. No.: **29/422,847**

(22) Filed: **May 24, 2012**

(51) **LOC (9) Cl.** **10-05**

(52) **U.S. Cl.** **D10/119.1**

(58) **Field of Classification Search** D10/119.1,
D10/119.3; 446/202-209

See application file for complete search history.

(56) **References Cited**

U.S. PATENT DOCUMENTS

D393,223 S *	4/1998	Hall	D10/119.1
6,471,563 B1 *	10/2002	Carlton	446/202
D555,530 S *	11/2007	Primos	D10/119.2

* cited by examiner

Primary Examiner — George D Kirschbaum

(74) *Attorney, Agent, or Firm* — Holland & Hart LLP

(57) **CLAIM**

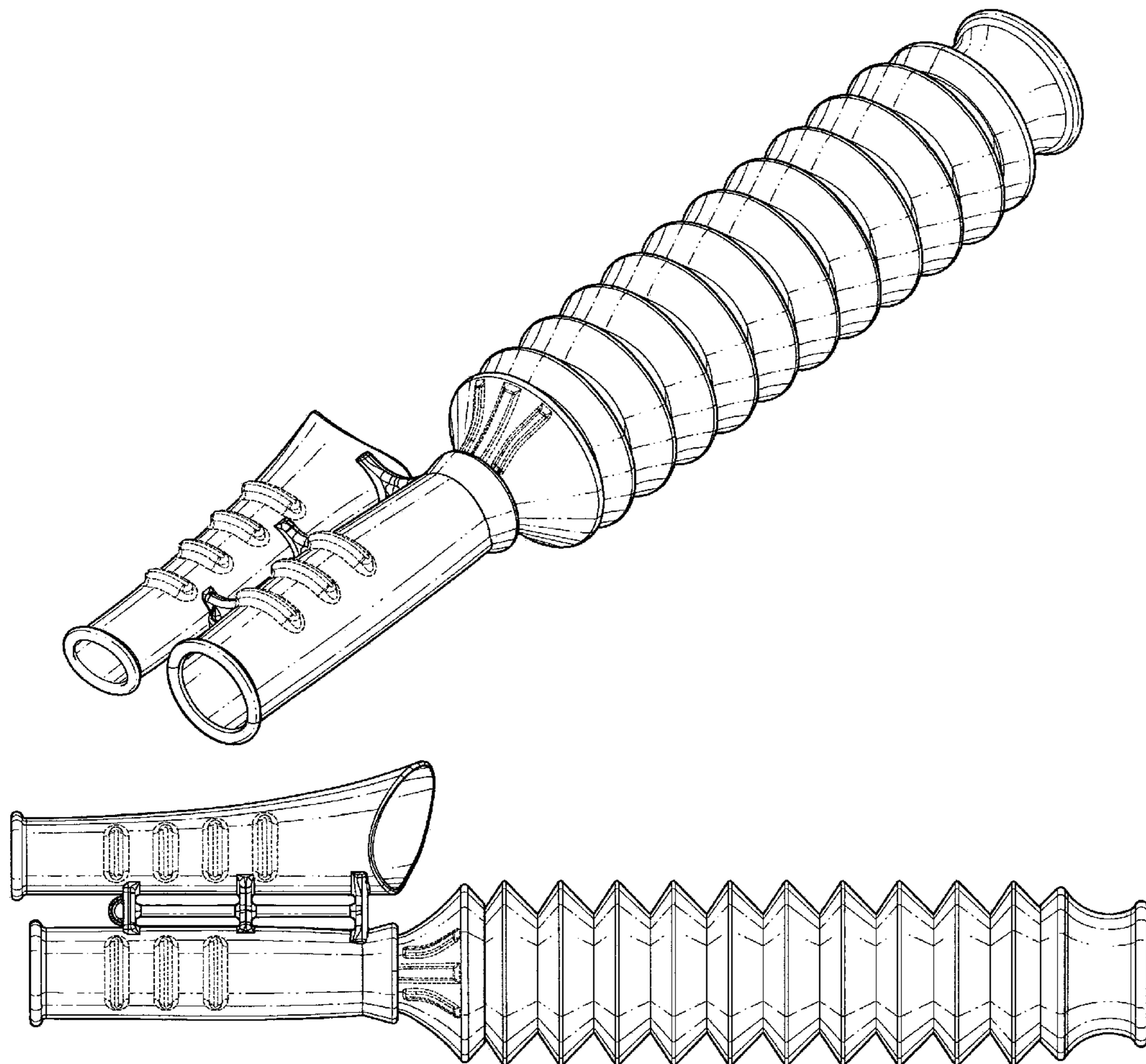
The ornamental design for a “grunt wheeze game call apparatus,” as shown and described.

DESCRIPTION

FIG. 1 is a rear perspective view of a “grunt wheeze game call apparatus” according to the present invention; FIG. 2 is a front perspective view thereof; FIG. 3 is a top view thereof; FIG. 4 is a right side elevation view thereof; FIG. 5 is a bottom view thereof; FIG. 6 is a left side elevation view thereof; FIG. 7 is an enlarged rear view thereof; and, FIG. 8 is an enlarged front view thereof.

The broken line showing is included for the purpose of illustrating portions of the “article” and forms no part of the claimed design.

1 Claim, 5 Drawing Sheets



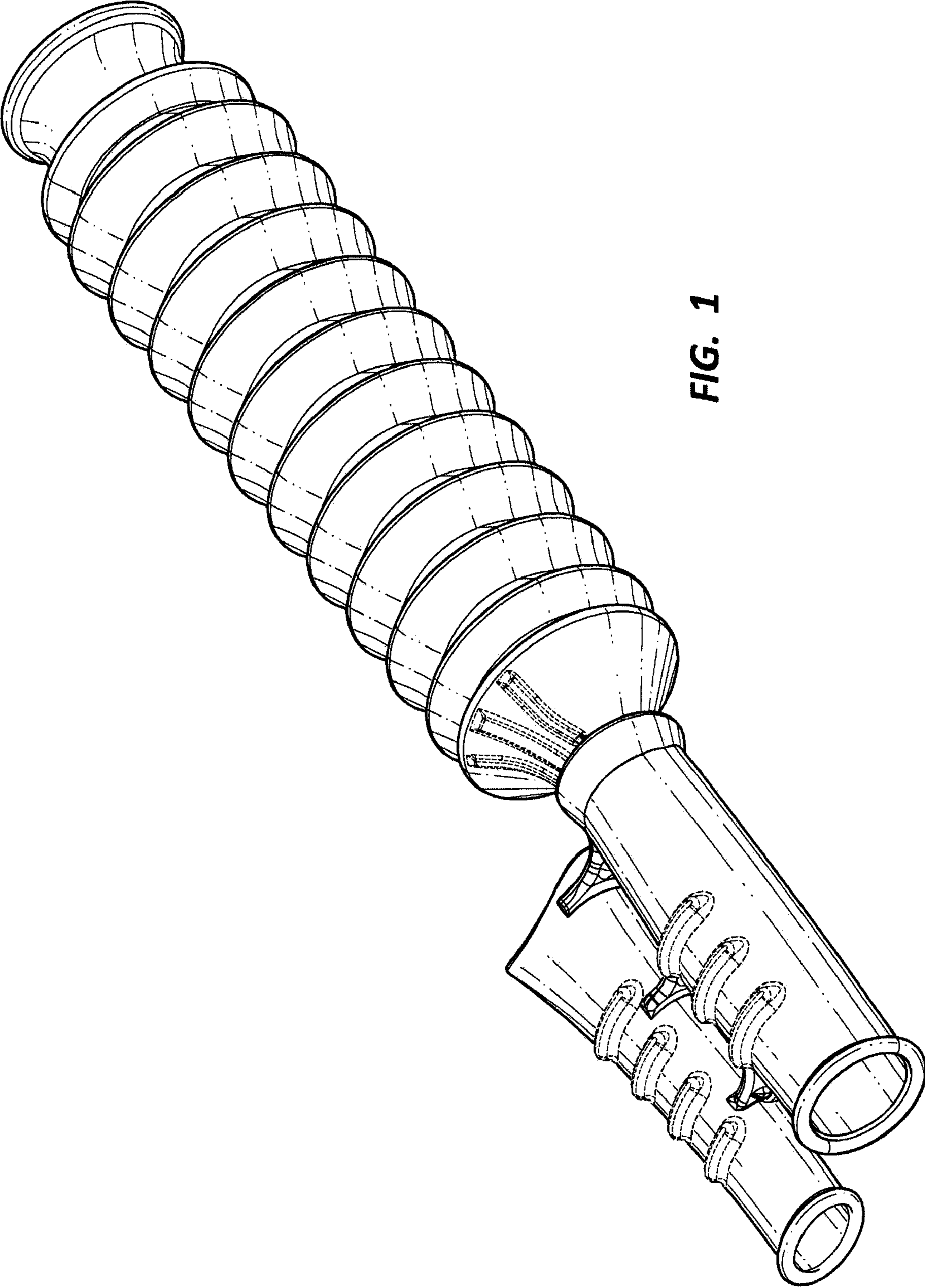


FIG. 1

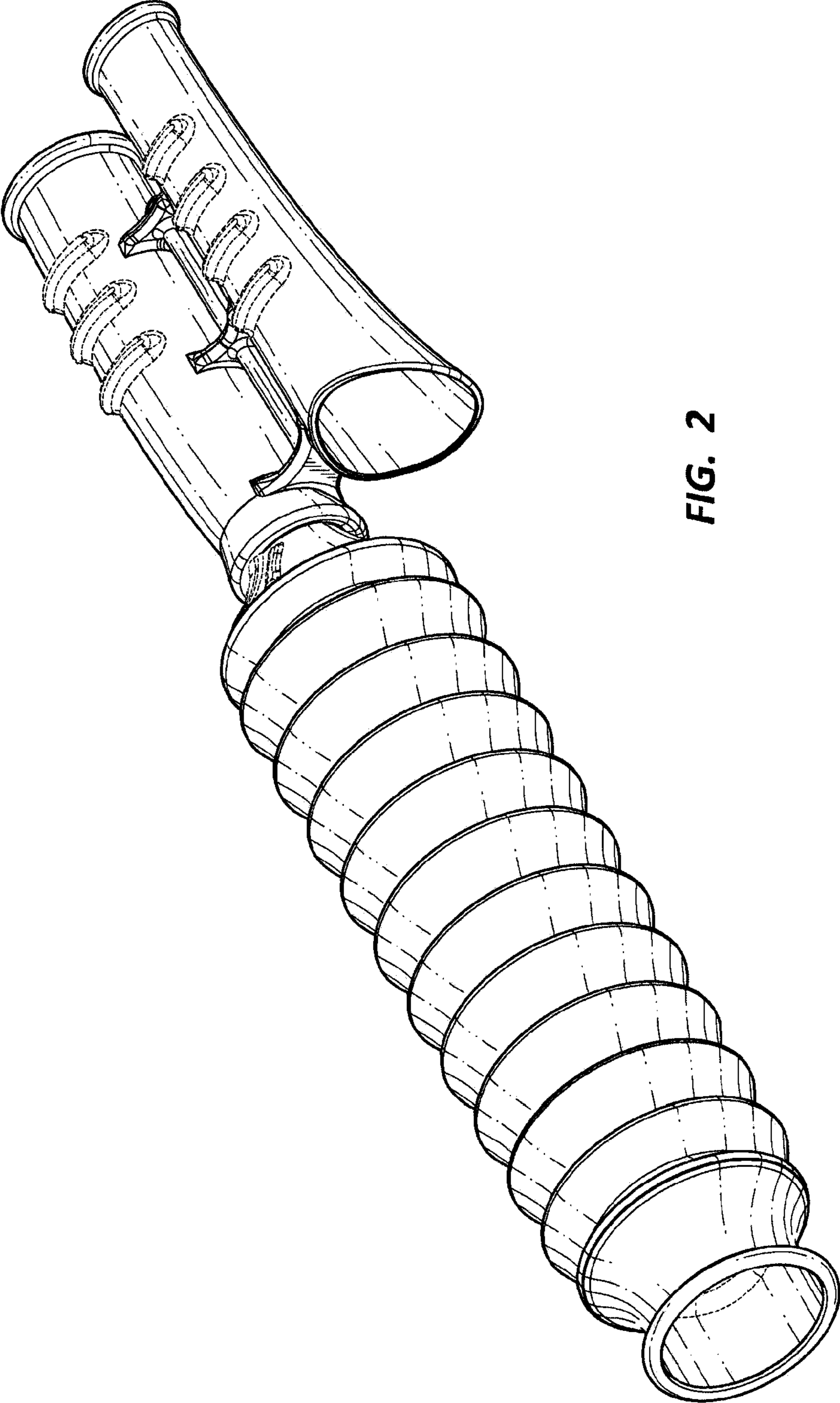


FIG. 2

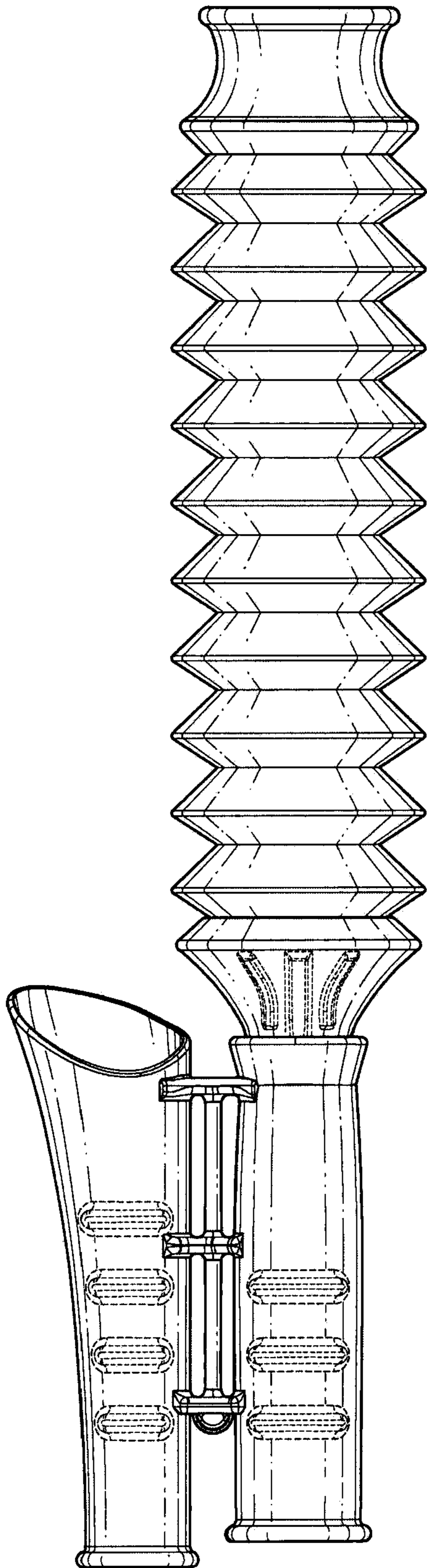


FIG. 3

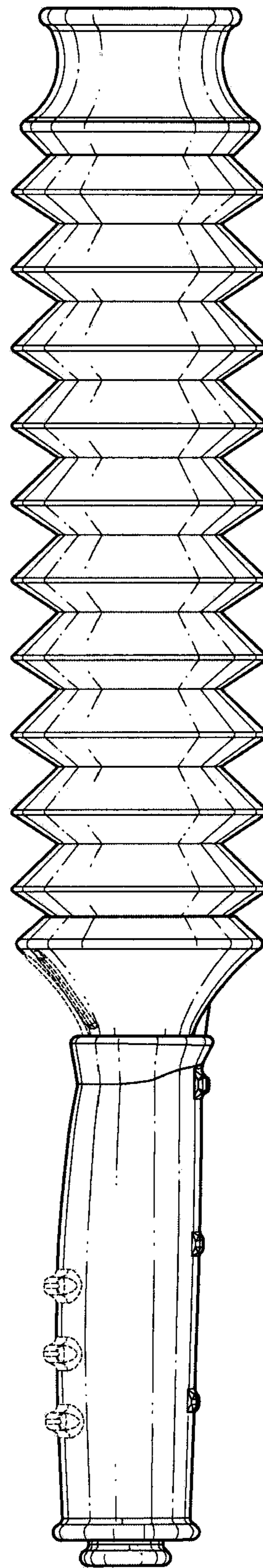


FIG. 4

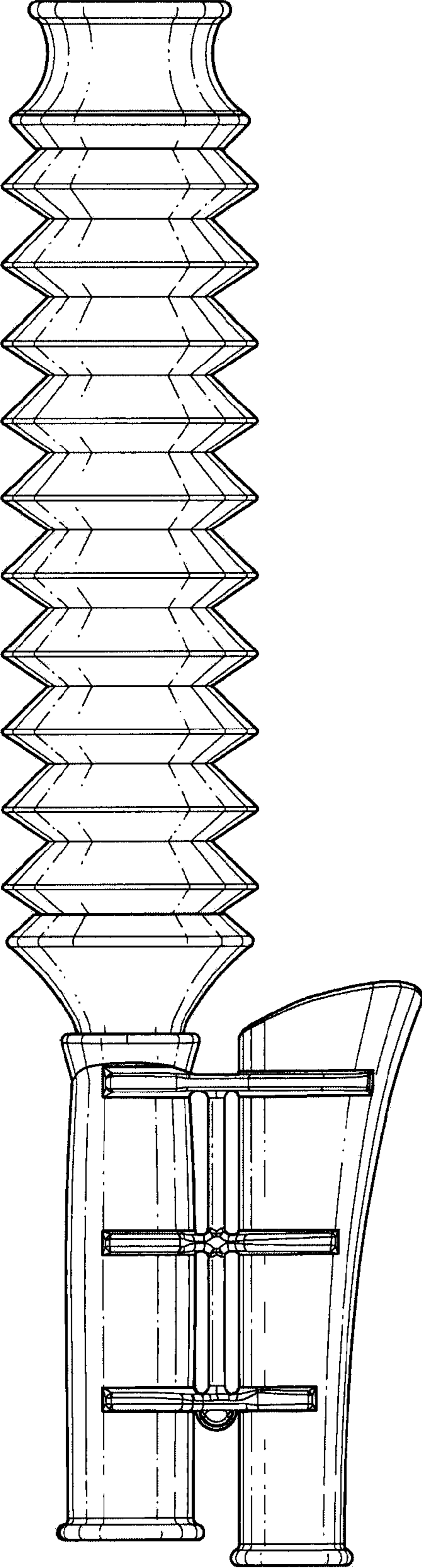


FIG. 5

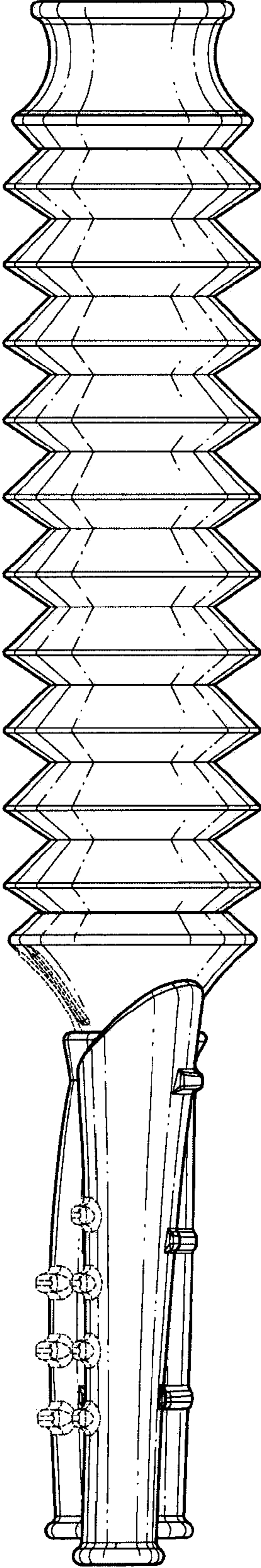


FIG. 6

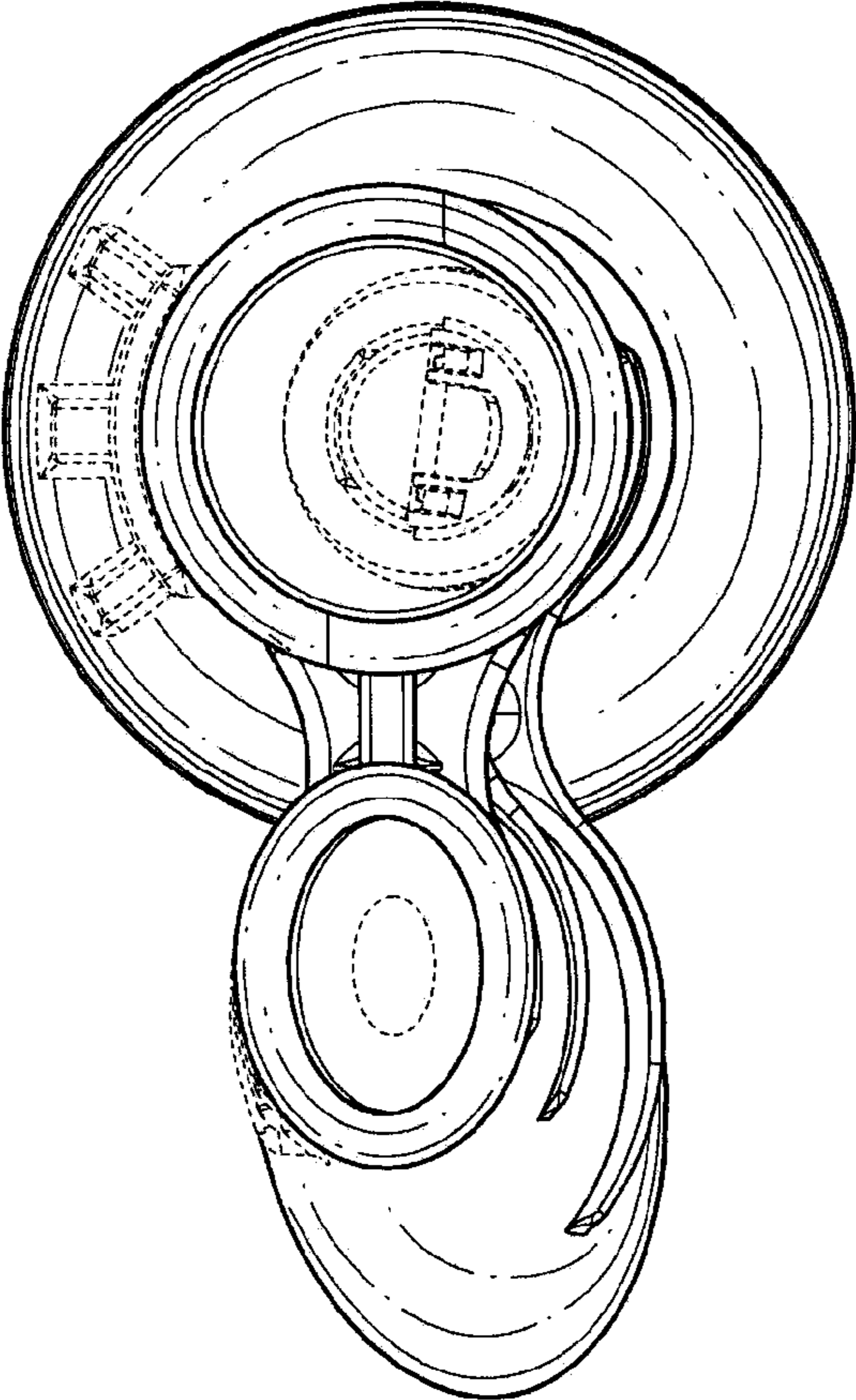


FIG. 7

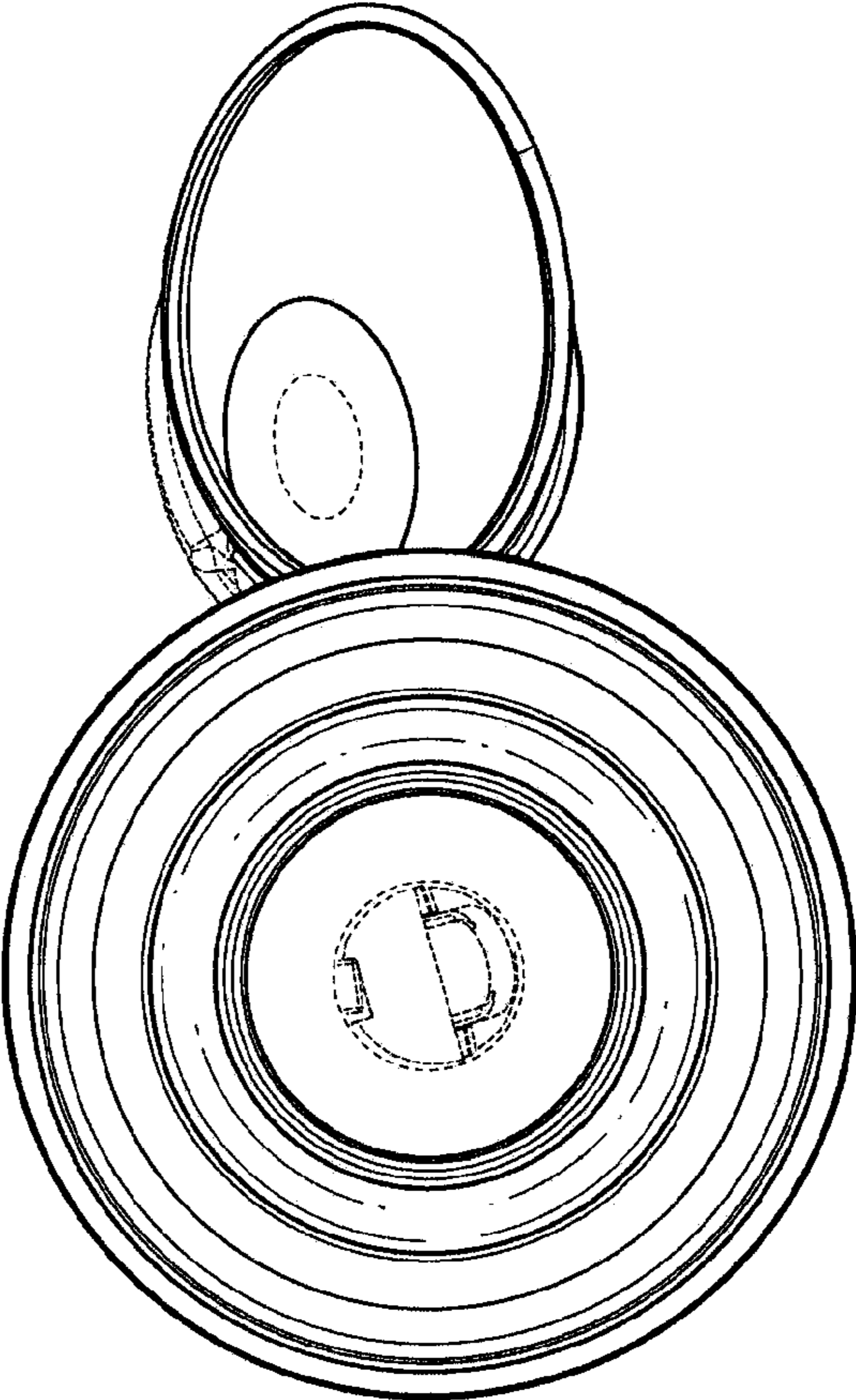


FIG. 8