



US00D671436S

(12) **United States Design Patent**
Yu et al.

(10) **Patent No.:** **US D671,436 S**
(45) **Date of Patent:** **** Nov. 27, 2012**

(54) **COLORED EMERGENCY BEACON**

(76) Inventors: **Ji Hyung Yu**, Paju (KR); **Eng Lim**, Mercer Island, WA (US)

(**) Term: **14 Years**

(21) Appl. No.: **29/424,311**

(22) Filed: **Jun. 11, 2012**

(51) **LOC (9) Cl.** **10-05**

(52) **U.S. Cl.** **D10/114.2**

(58) **Field of Classification Search** ... D10/114.1-114.4,
D10/114.6, 114.9, 113.1, 111; D26/67, 76;
362/184; 340/815.4, 321; 315/86; 116/173;
D27/131

See application file for complete search history.

(56) **References Cited**

U.S. PATENT DOCUMENTS

2,521,496	A *	9/1950	Worhun	116/173
2,565,980	A *	8/1951	Moore	340/321
D238,587	S *	1/1976	Howell	D27/131
4,117,455	A	9/1978	Cervantes	
5,381,325	A	1/1995	Messana	
D389,078	S	1/1998	Freeman	
D412,132	S *	7/1999	Aylward et al.	D10/114.2
D435,801	S *	1/2001	Yang	D10/114.2
6,808,291	B1	10/2004	Aylward	
D562,715	S	2/2008	Treloar	
2007/0109797	A1	5/2007	Reda	

* cited by examiner

Primary Examiner — George D Kirschbaum

(74) *Attorney, Agent, or Firm* — Kal K Lambert; Lambert Patent Services LLC

(57) **CLAIM**

The ornamental design for a colored emergency beacon, as shown and described.

DESCRIPTION

FIG. 1 is a front perspective view of a colored emergency beacon showing the new design having a cylindrical member and a rounded base member;

FIG. 2 is a side perspective view thereof, shown in a position of use;

FIG. 3 is a right side elevational view thereof;

FIG. 4 is a front side elevational view thereof;

FIG. 5 is a left side elevational view thereof;

FIG. 6 is a rear side view thereof;

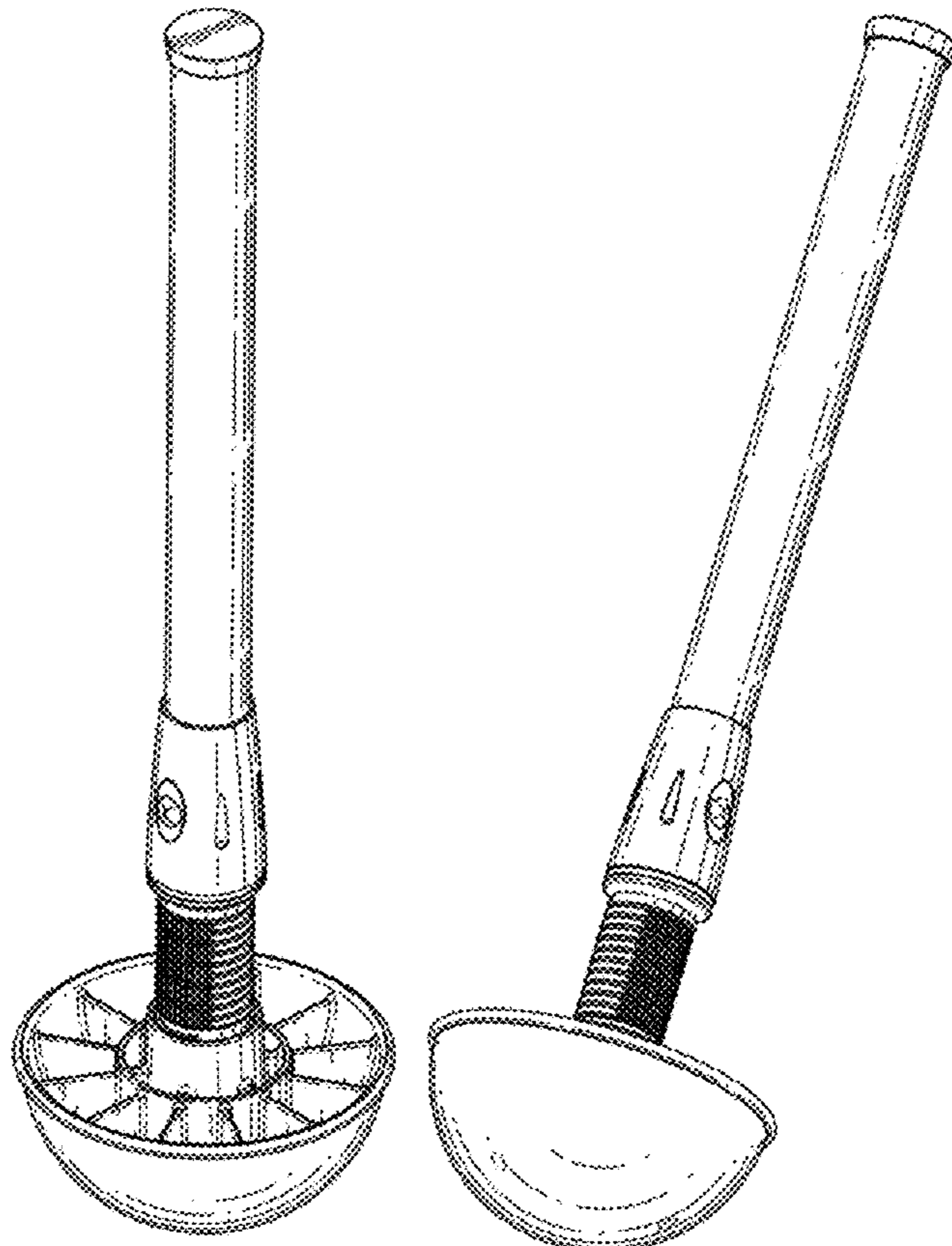
FIG. 7 is an enlarged view taken in the area of 7-7 of FIG. 6 indicating the shading of the color red, thereof;

FIG. 8 is a bottom plan view thereof; and,

FIG. 9 is a top plan view thereof.

The lining in FIG. 7 represents the color red. It is understood that the entire surface of the cylindrical member is red.

1 Claim, 7 Drawing Sheets



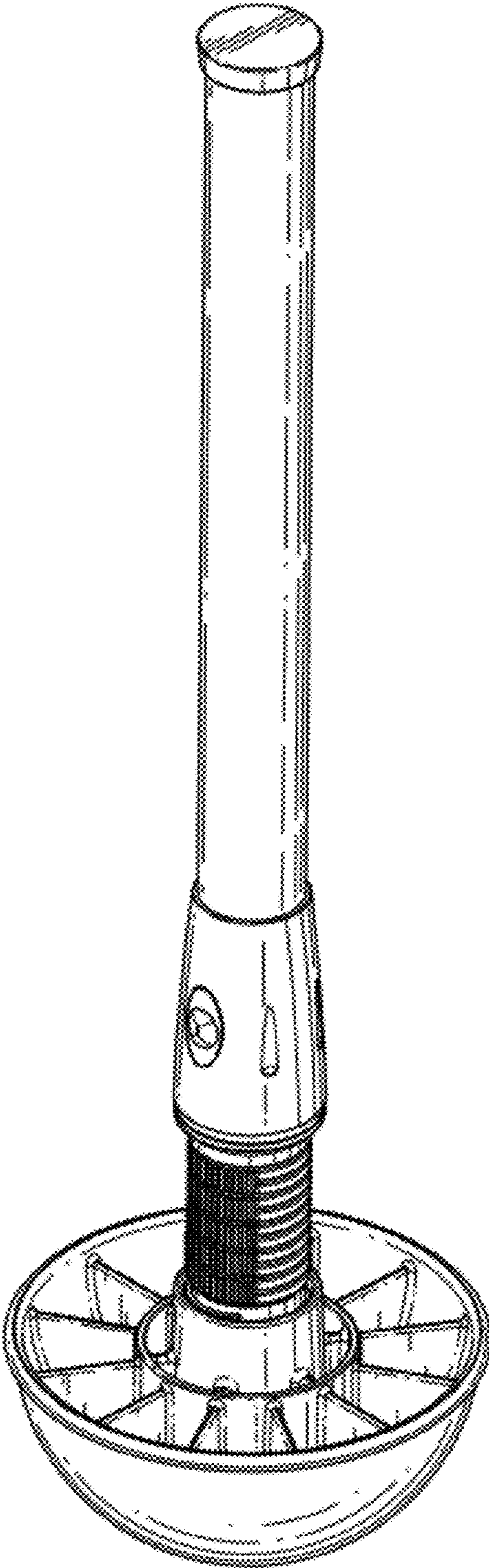


FIG. 1

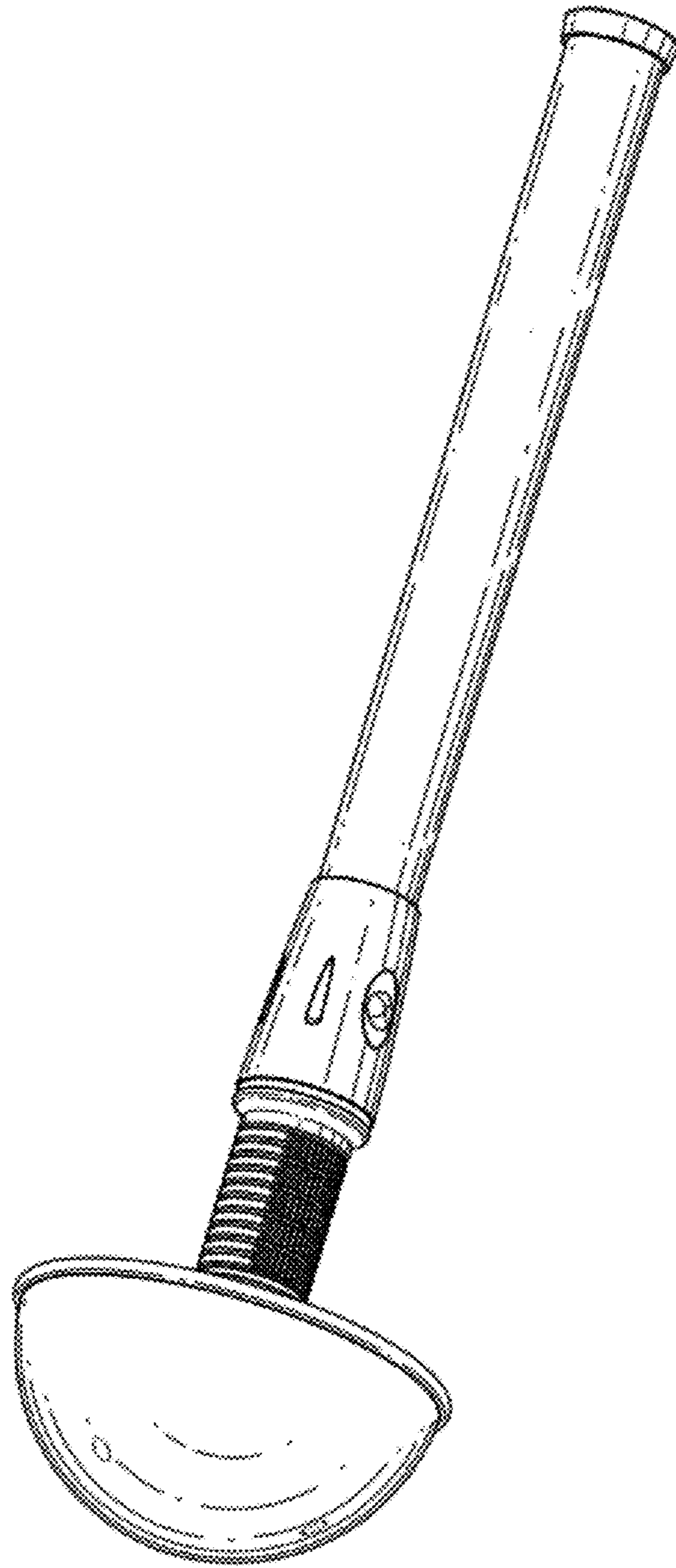


FIG. 2

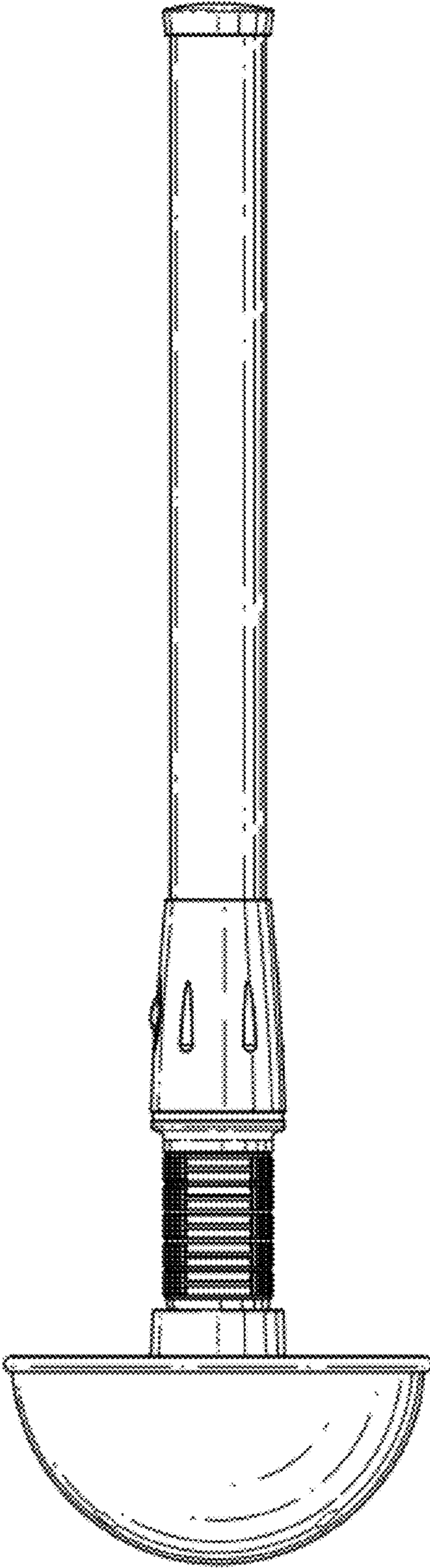


FIG. 3

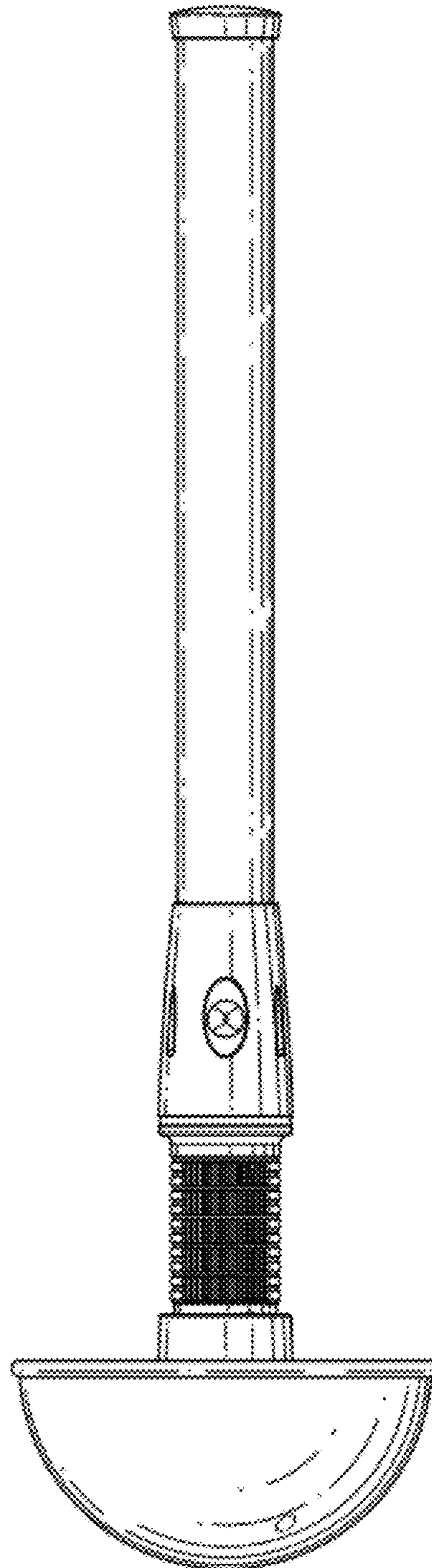


FIG. 4

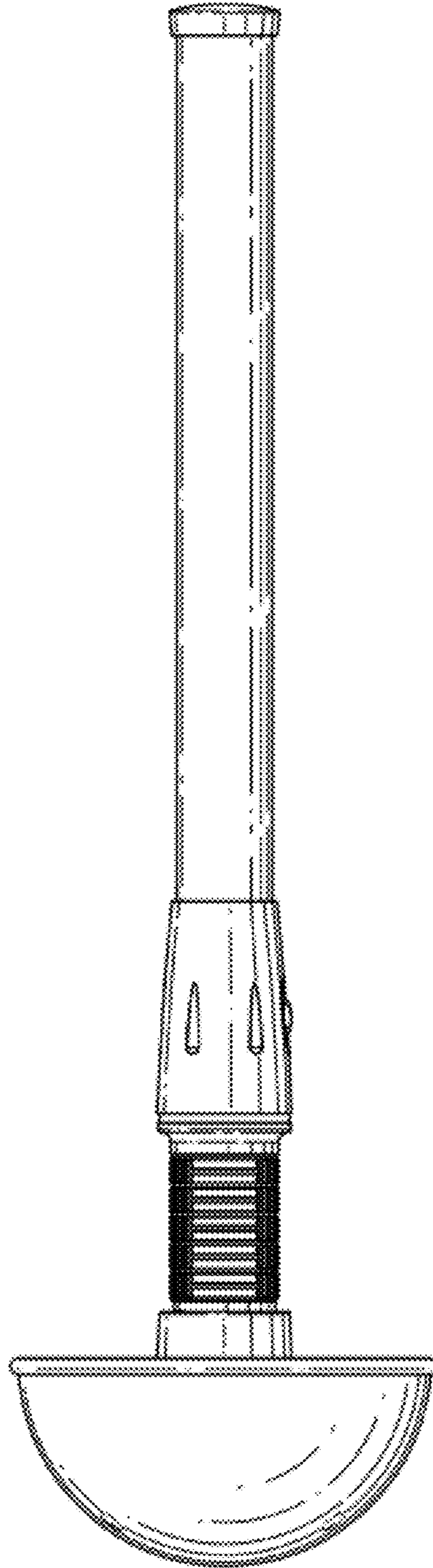


FIG. 5

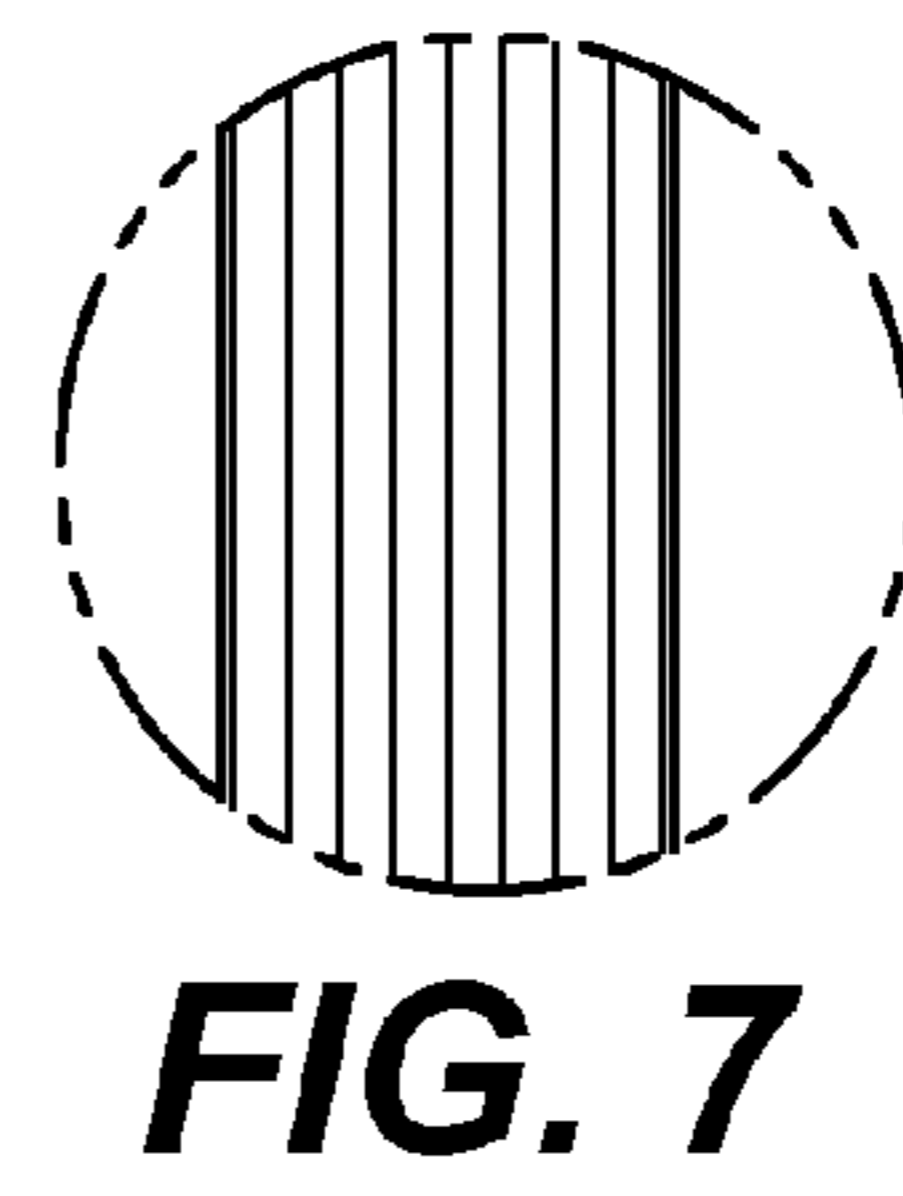
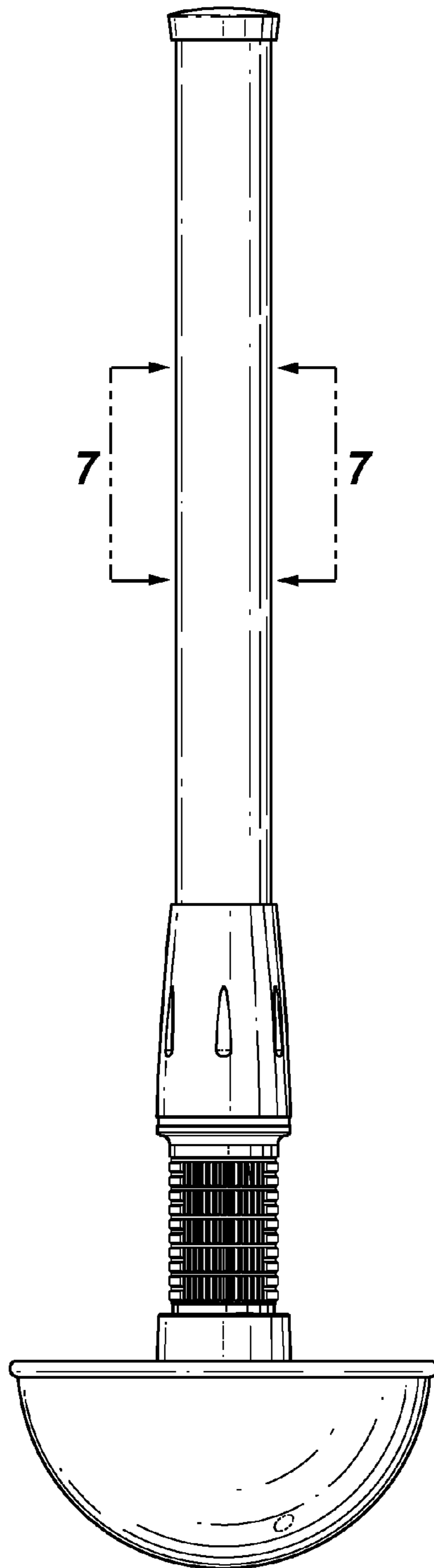


FIG. 7

FIG. 6

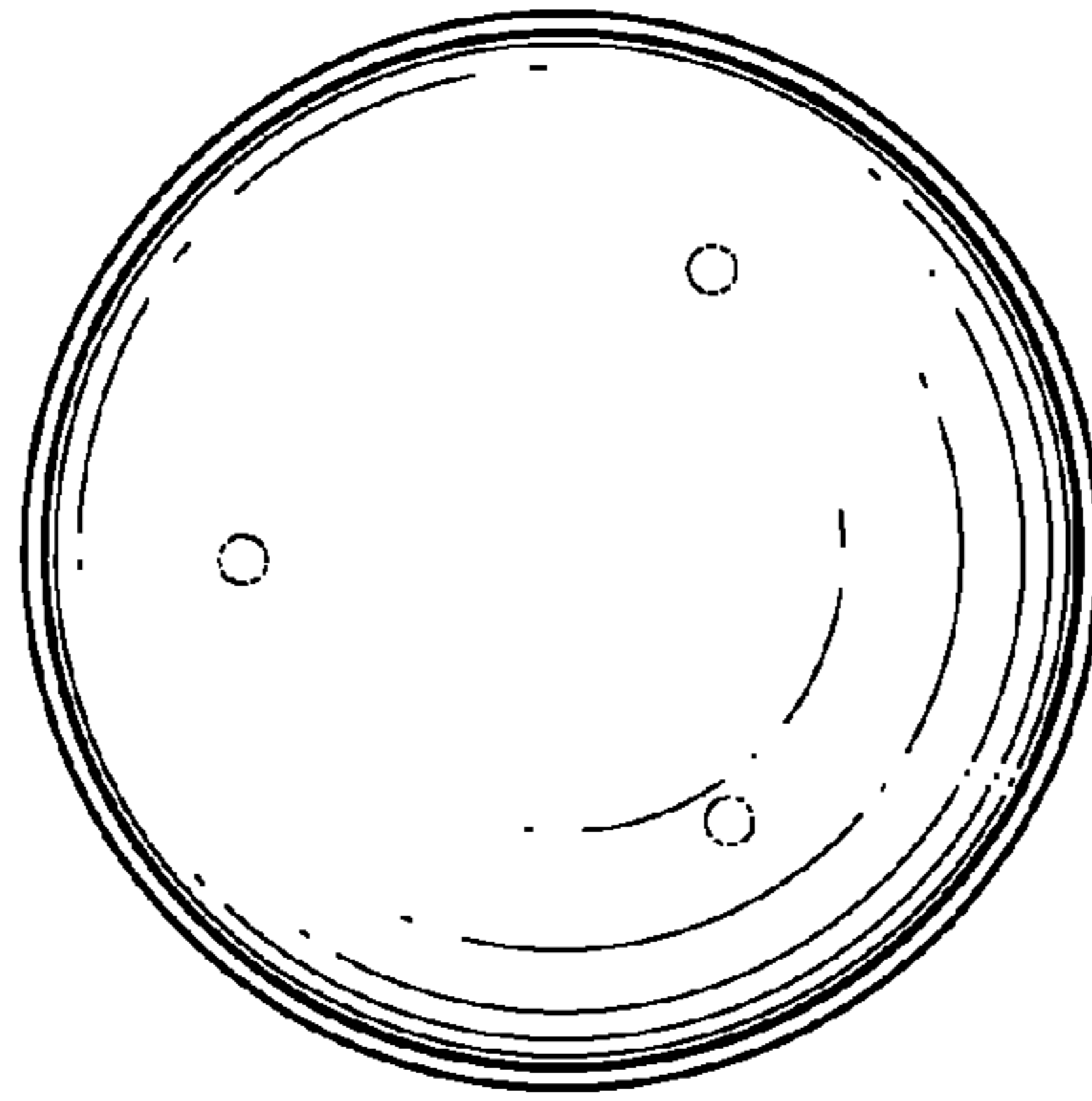


FIG. 8

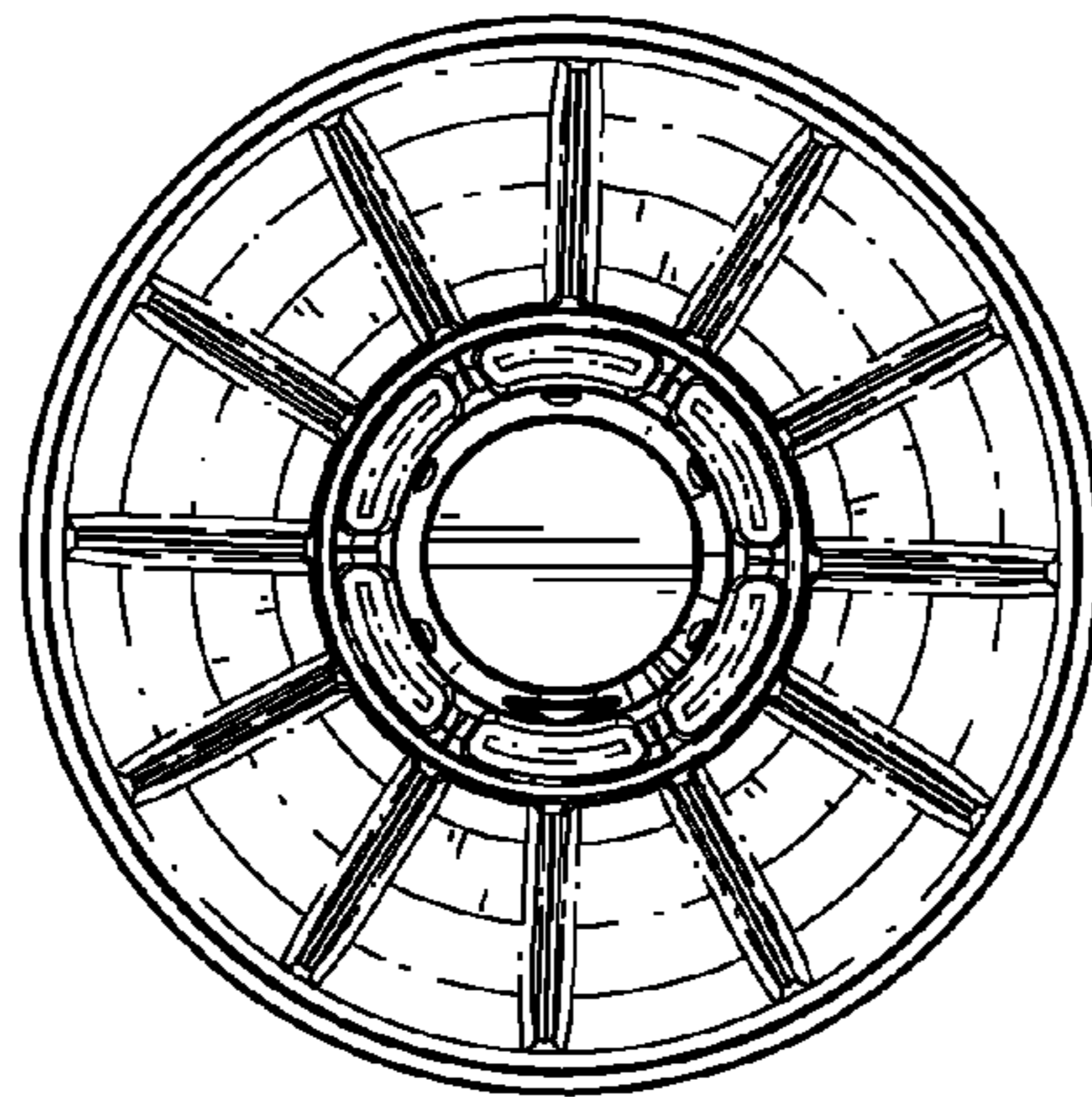


FIG. 9