



US00D671435S

(12) **United States Design Patent**  
**Bradley**

(10) **Patent No.:** **US D671,435 S**  
(45) **Date of Patent:** **\*\* Nov. 27, 2012**

- (54) **PANEL**
- (75) Inventor: **Earl Terence Bradley**, Eastland, TX (US)
- (73) Assignee: **EBAA Iron, Inc.**, Eastland, TX (US)
- (\*\*) Term: **14 Years**
- (21) Appl. No.: **29/382,607**
- (22) Filed: **Jan. 5, 2011**
- (51) **LOC (9) Cl.** ..... **10-04**
- (52) **U.S. Cl.** ..... **D10/99; D25/19; 404/25; 137/371**
- (58) **Field of Classification Search** ..... **D25/19, D25/36, 48.1, 48.3, 199; D10/99-101; 404/125-126; 137/364, 371**  
See application file for complete search history.

(56) **References Cited**

**U.S. PATENT DOCUMENTS**

1,213,478 A \* 1/1917 Haase ..... D10/99  
(Continued)

**OTHER PUBLICATIONS**

U.S. Appl. No. 29/368,605, filed Aug. 26, 2010, Bradley.  
(Continued)

*Primary Examiner* — Robert Delehanty

(74) *Attorney, Agent, or Firm* — Haynes and Boone, LLP

(57) **CLAIM**

The ornamental design for a panel, as shown and described.

**DESCRIPTION**

This application is related to U.S. patent application Ser. No. 12/868,931, filed Aug. 26, 2010; and U.S. patent application

Ser. No. 29/368,605, filed Aug. 26, 2010, the entire disclosures of which are incorporate herein by reference.

FIG. 1 is a perspective view of the panel showing my new design according to a first embodiment, the first embodiment including environmental structure illustrated in broken lines; FIG. 2 is another perspective view of the first embodiment; FIG. 3 is a front elevational view of the first embodiment; FIG. 4 is a right side elevational view of the first embodiment; FIG. 5 is a left side elevational view of the first embodiment; FIG. 6 is a rear elevational view of the first embodiment; FIG. 7 is a top plan view of the first embodiment; FIG. 8 is a bottom plan view of the first embodiment; FIG. 9 is a sectional view of the first embodiment taken along line 9-9 of FIG. 7;

FIG. 10 is a sectional view of the first embodiment taken along line 10-10 of FIG. 7;

FIG. 11 is a sectional view of the first embodiment taken along line 11-11 of FIG. 7;

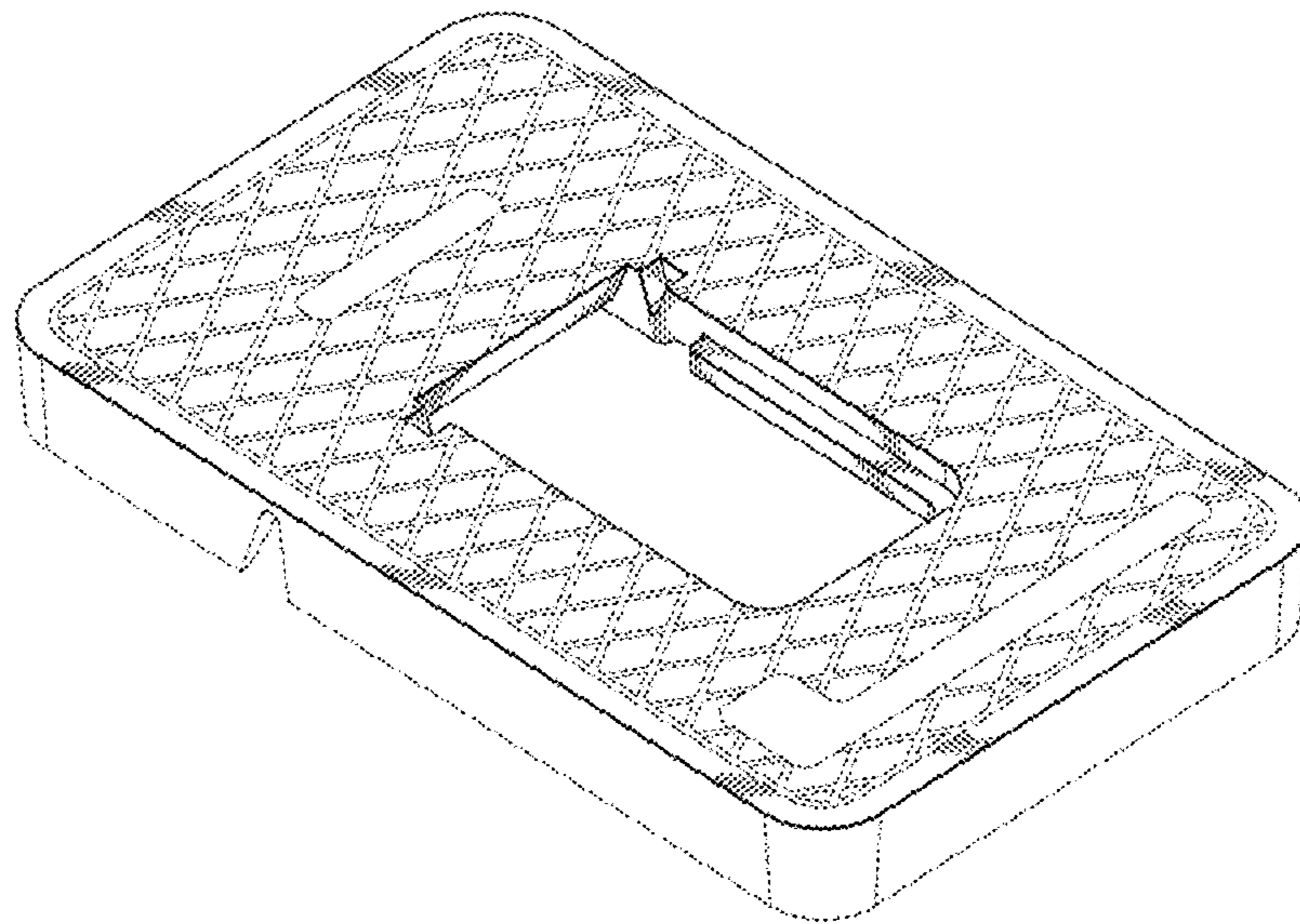
FIG. 12 is a perspective view of the panel showing my new design according to a second embodiment, the second embodiment being identical to the first embodiment except that the second embodiment includes additional environmental structure illustrated in broken lines;

FIG. 13 is a perspective view of the panel showing my new design according to a third embodiment, the third embodiment being identical to the first embodiment except that the third embodiment includes additional environmental structure illustrated in broken lines, and the third embodiment further includes two indeterminate lengths as indicated in FIG. 13; and,

FIG. 14 is a perspective view of the panel showing my new design according to a fourth embodiment, the fourth embodiment being identical to the first embodiment except that the fourth embodiment includes additional environmental structure illustrated in broken lines, and the fourth embodiment further includes six indeterminate lengths as indicated in FIG. 14.

The broken lines in FIGS. 1-14 form no part of the claimed design.

**1 Claim, 9 Drawing Sheets**



# US D671,435 S

Page 2

## U.S. PATENT DOCUMENTS

2,217,097 A \* 10/1940 Brooks ..... 137/371  
3,447,169 A 6/1969 Watson  
3,482,030 A \* 12/1969 Wisniewski ..... 137/371  
D233,880 S 12/1974 Swenson et al.  
D258,415 S 3/1981 DeStepheno  
D275,172 S 8/1984 Kwan  
4,863,059 A \* 9/1989 Christensen ..... 220/640  
D419,417 S 1/2000 Kane  
6,116,813 A \* 9/2000 Pate ..... 404/25  
6,209,172 B1 \* 4/2001 Bradley ..... 16/261  
D443,198 S 6/2001 Snyder  
6,732,555 B1 \* 5/2004 Nielsen ..... 70/169  
D500,441 S 1/2005 Senn  
D510,253 S 10/2005 Twomey  
D524,141 S 7/2006 Kwan  
D525,856 S 8/2006 Kwan  
7,347,070 B1 \* 3/2008 Spector ..... 404/25  
D573,821 S 7/2008 Rubin et al.

D575,312 S 8/2008 McDaniel et al.  
D578,872 S 10/2008 Healy  
D615,384 S 5/2010 Ross  
D622,575 S 8/2010 Li  
D627,690 S 11/2010 Madden  
2003/0145429 A1 8/2003 Twomey  
2012/0047805 A1 \* 3/2012 Bradley ..... 49/62  
2012/0047810 A1 \* 3/2012 Bradley ..... 49/399

## OTHER PUBLICATIONS

U.S. Appl. No. 12/868,931, filed Nov. 23, 2010, Bradley.

U.S. Appl. No. 12/985,009, filed Jan. 5, 2010, Bradley.

Web page: [www.diyanswerguy.com/tools/plumbing/water-meter-bos.jpg](http://www.diyanswerguy.com/tools/plumbing/water-meter-bos.jpg); Feb. 4, 2010 (1 page).

Notice of Allowance mailed Dec. 23, 2010, by the USPTO, in connection with U.S. Appl. No. 29/368,605.

\* cited by examiner

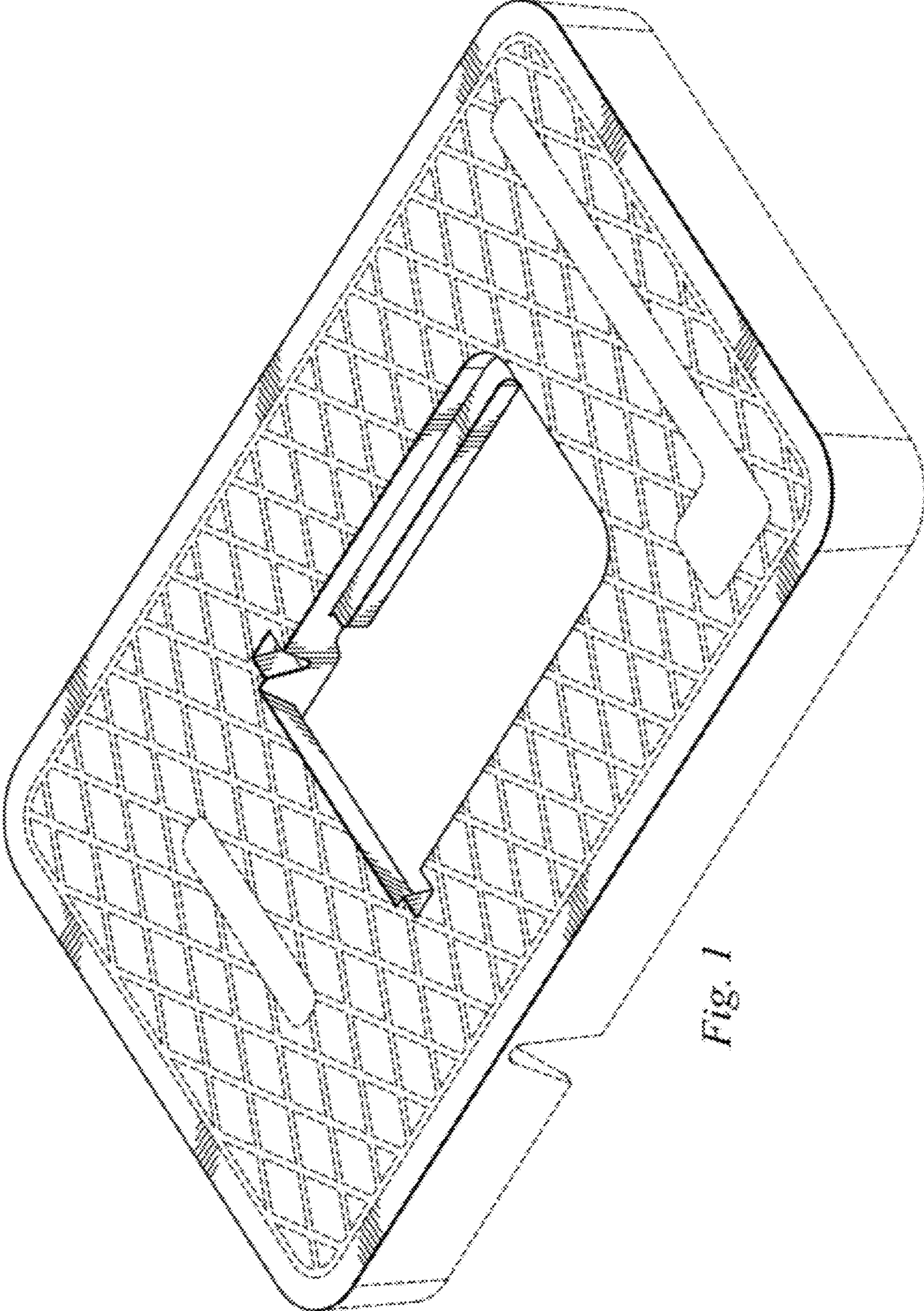


Fig. 1

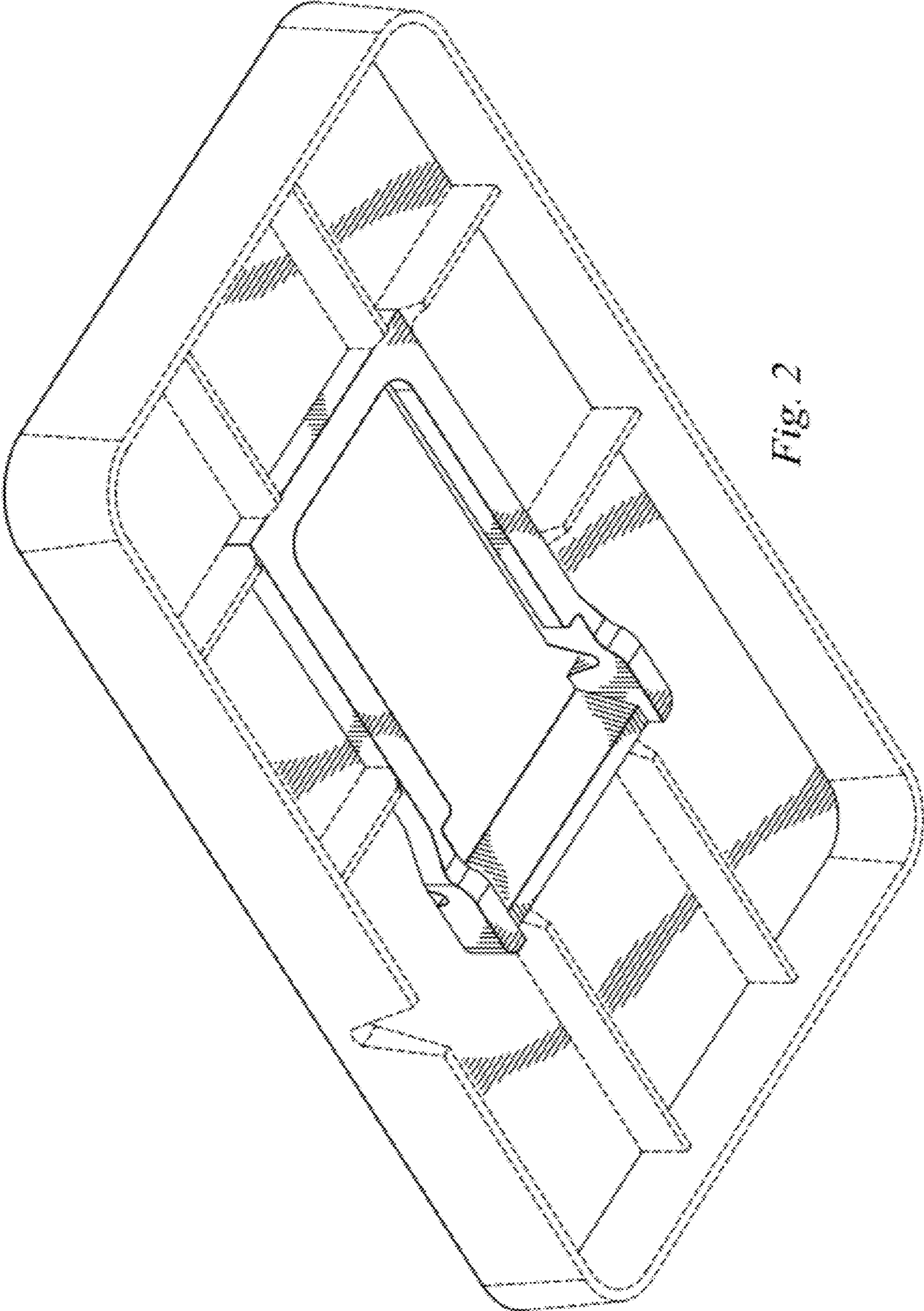
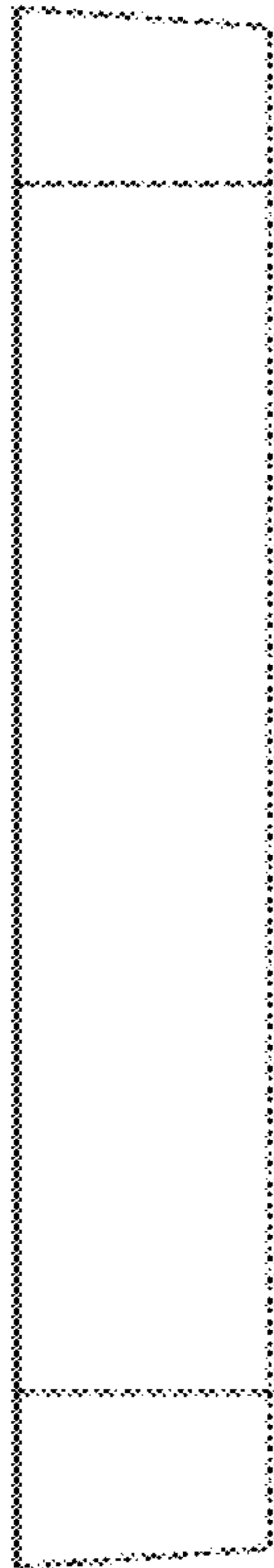
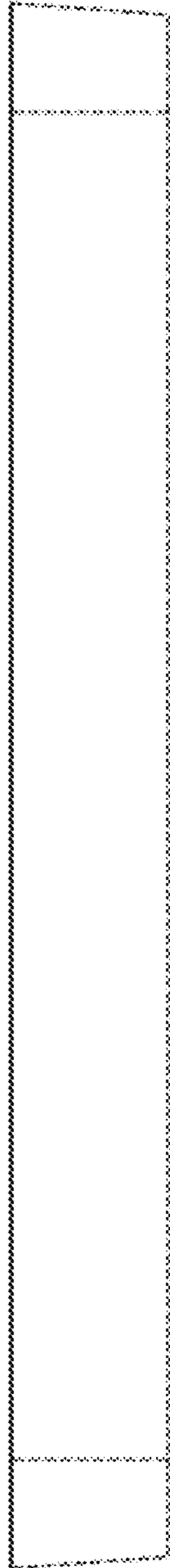


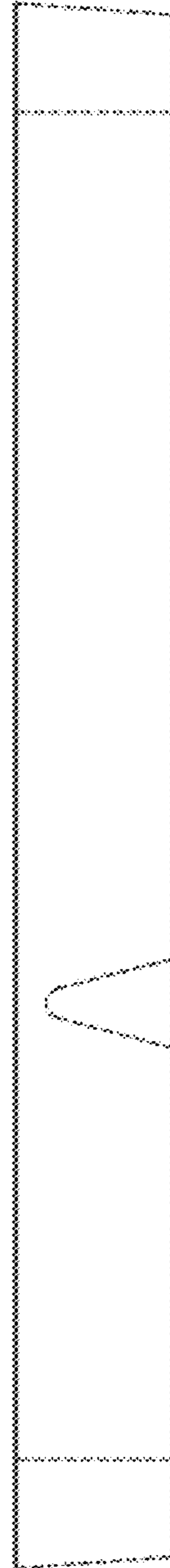
Fig. 2



*Fig. 3*



*Fig. 4*



*Fig. 5*



*Fig. 6*

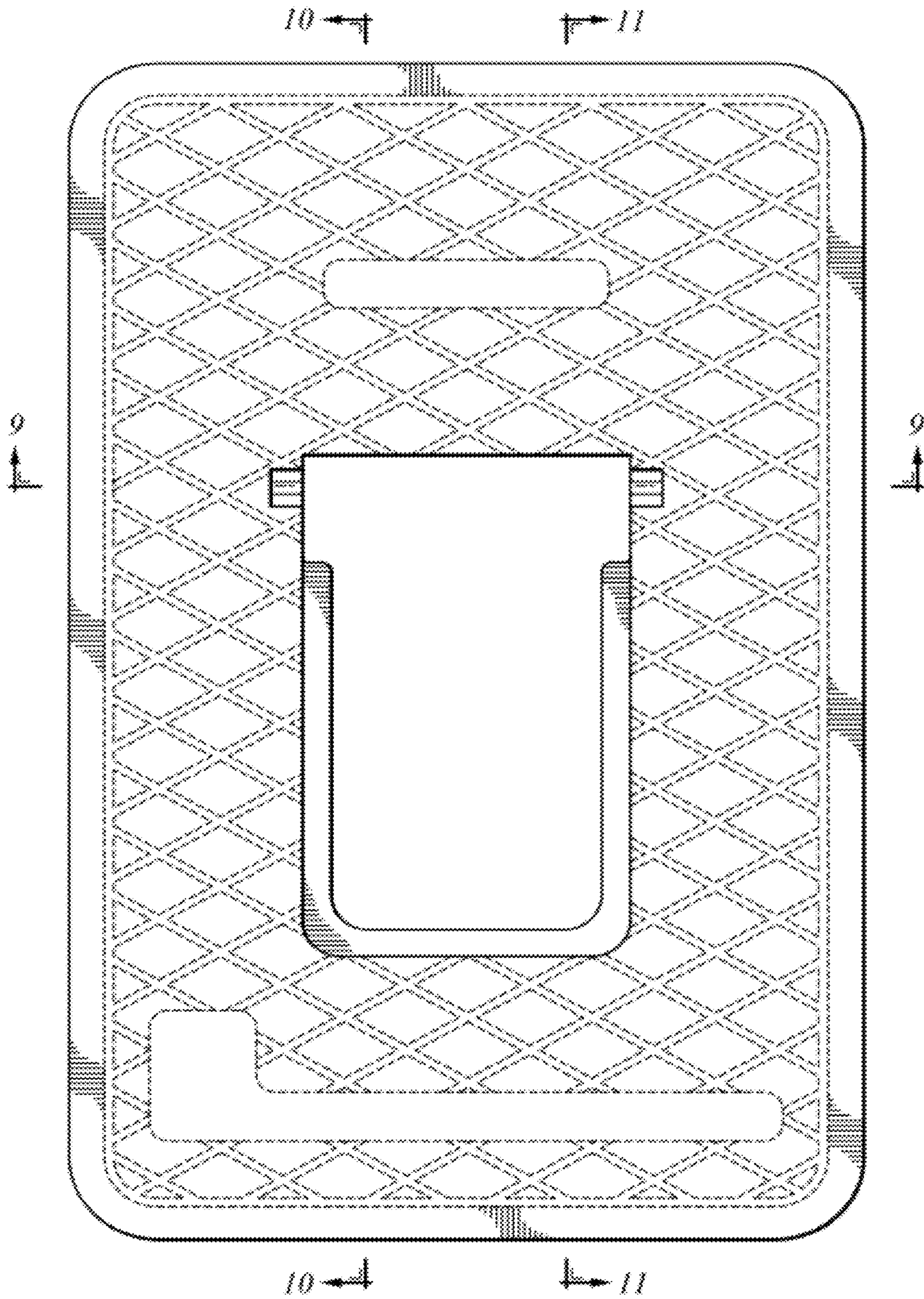
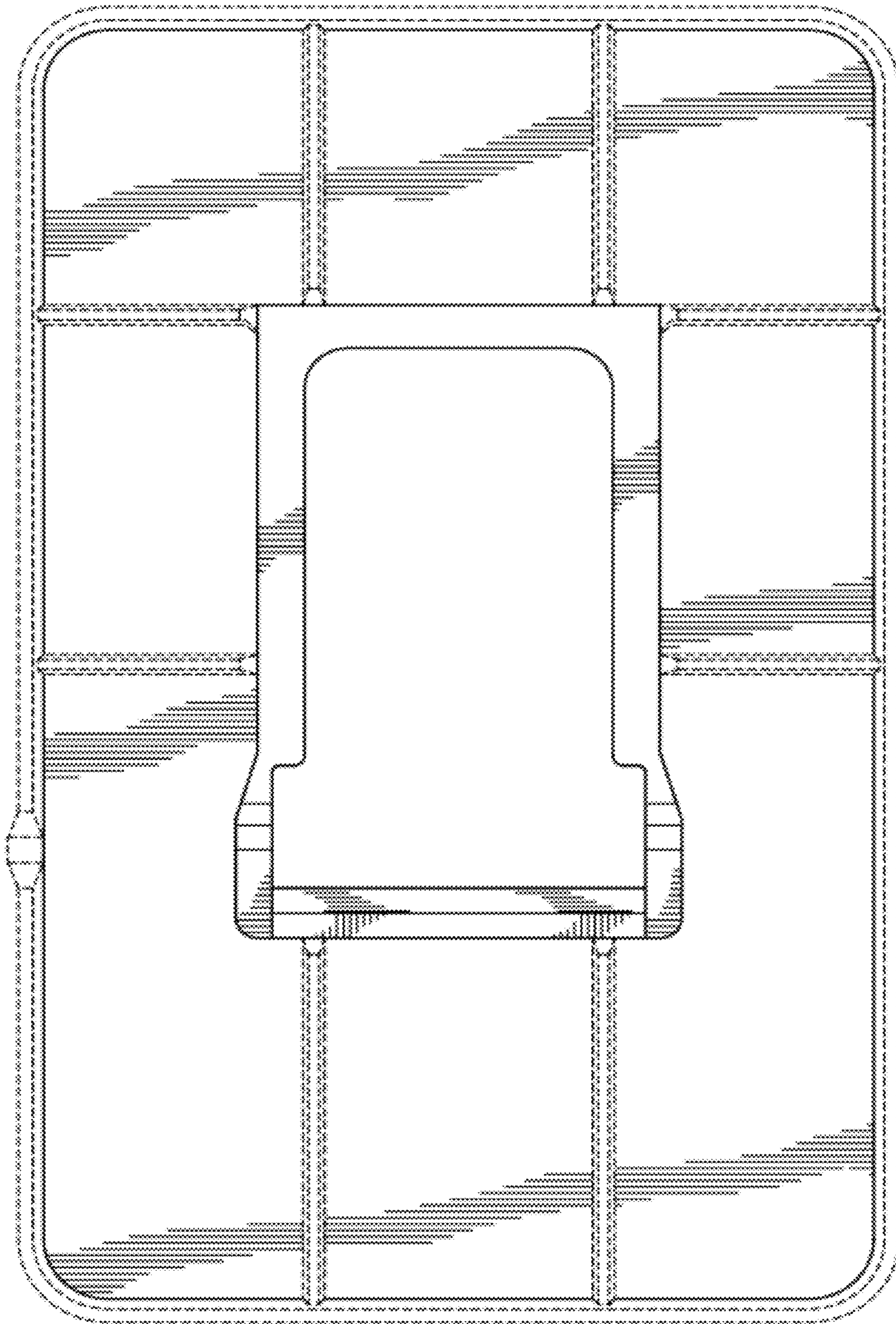


Fig. 7



*Fig. 8*

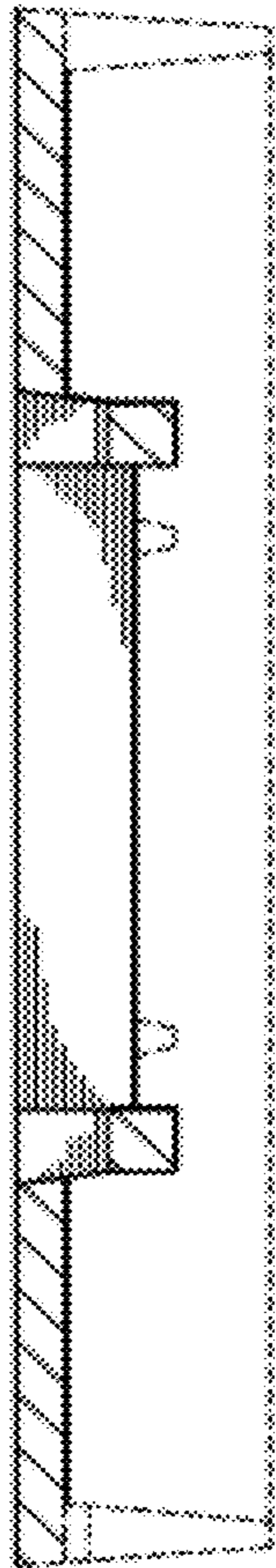


Fig. 9

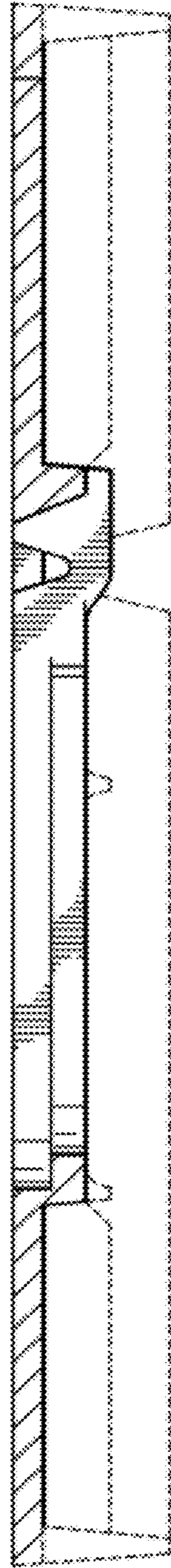


Fig. 10

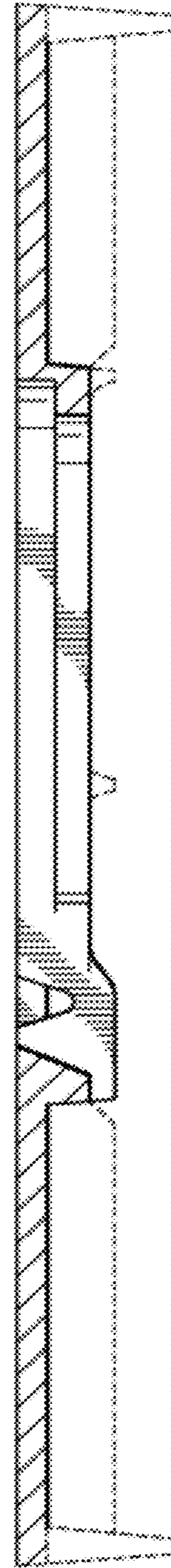


Fig. 11



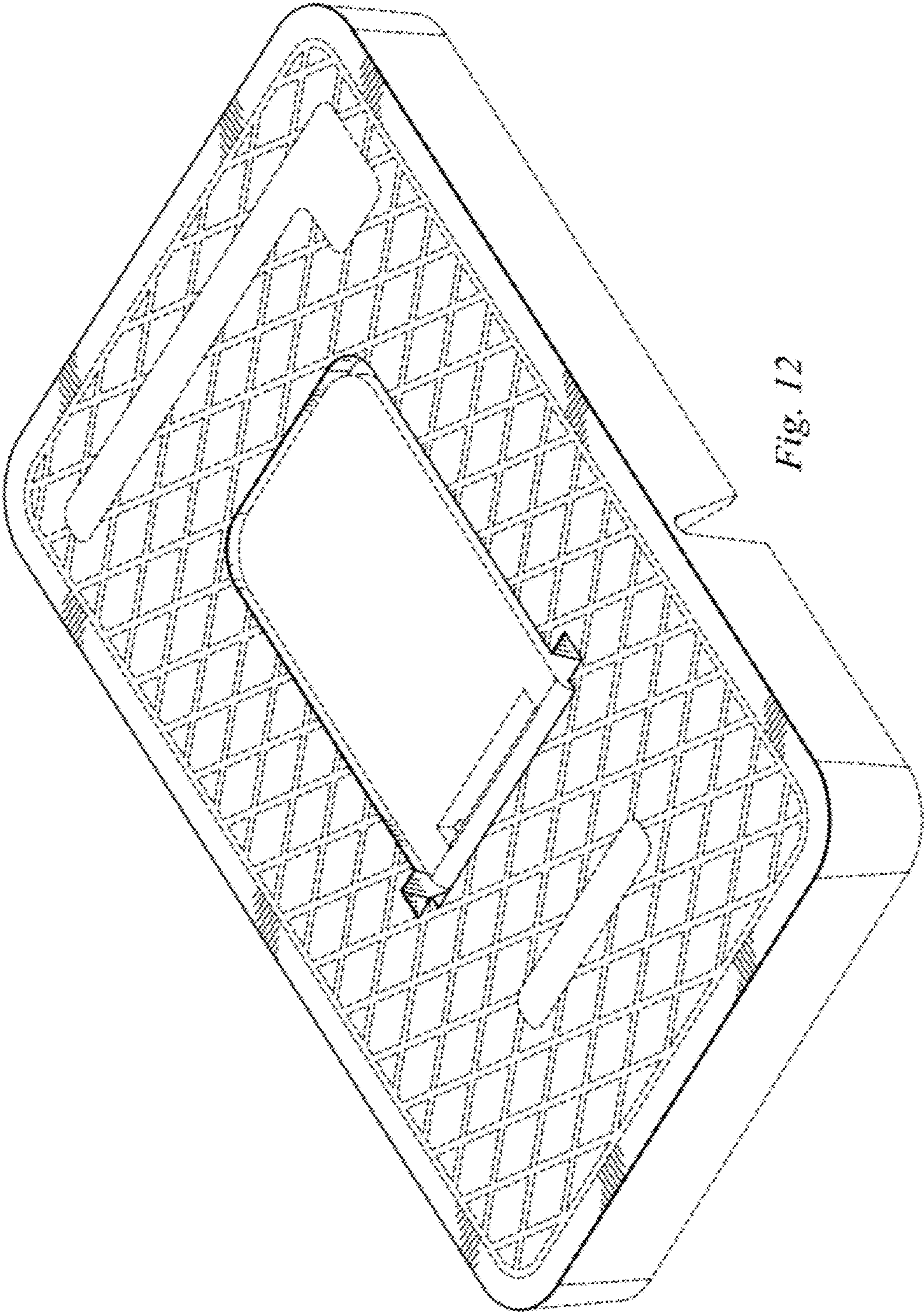


Fig. 12

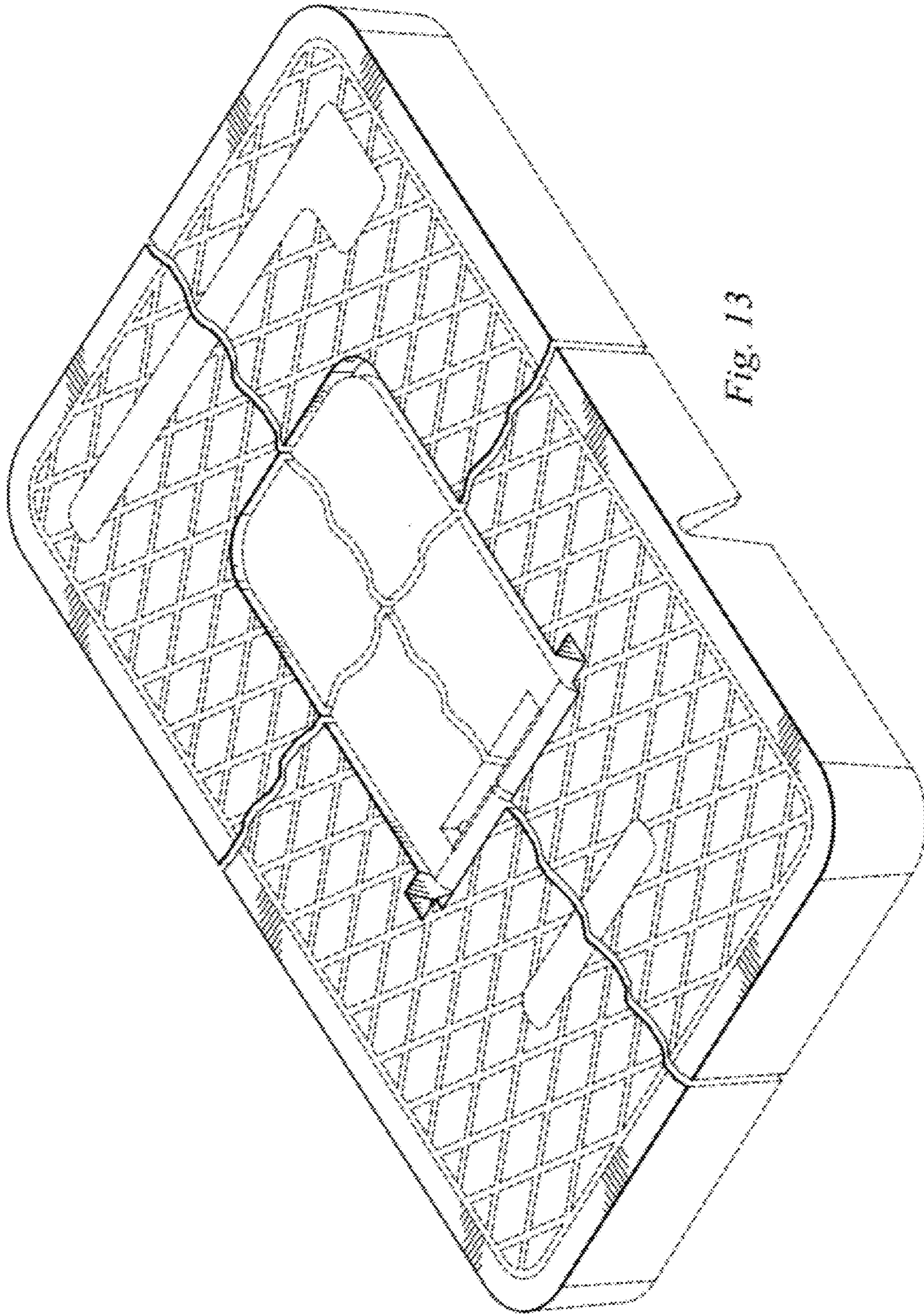


Fig. 13

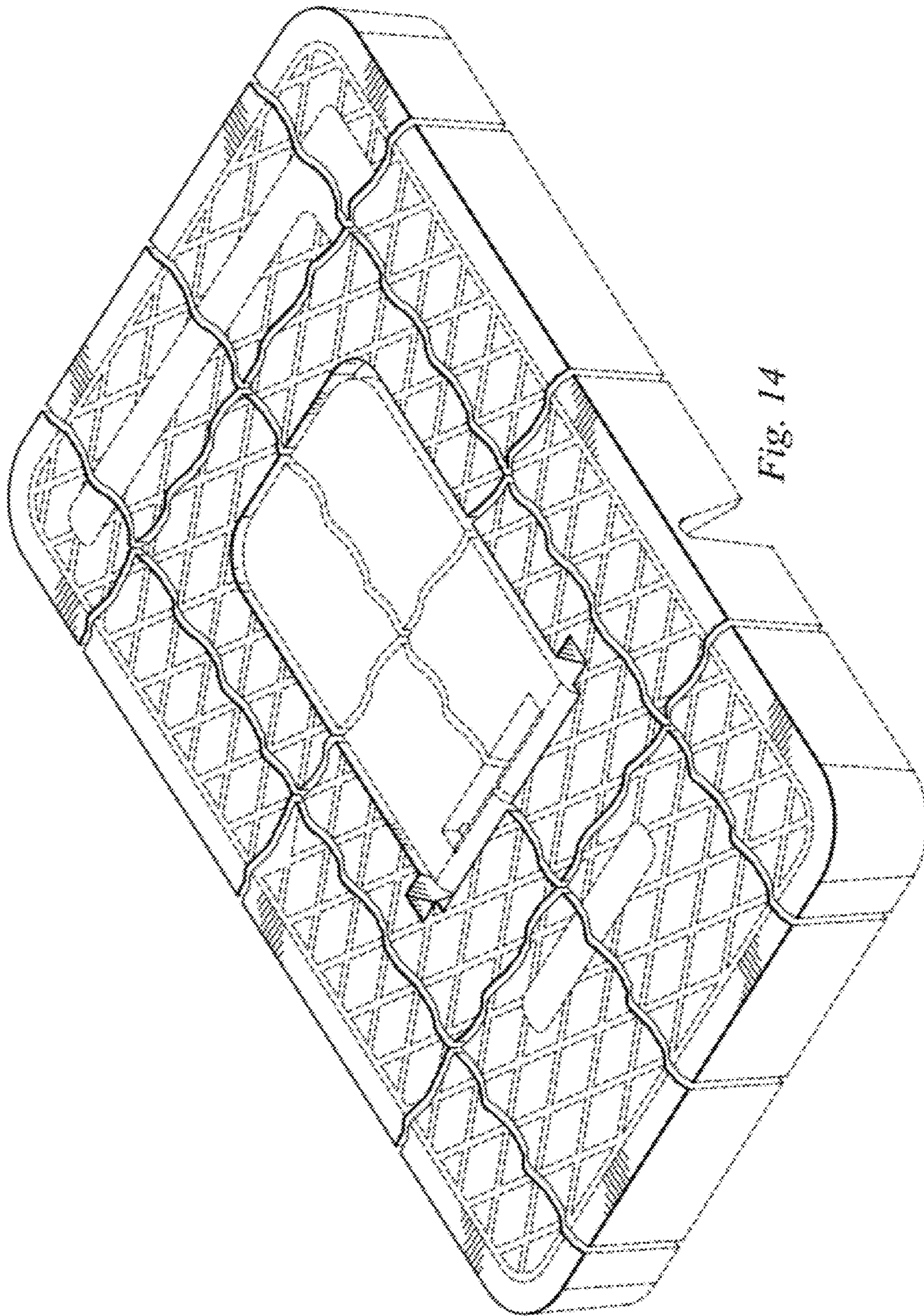


Fig. 14