



US00D671434S

(12) **United States Design Patent**
Kawai et al.

(10) **Patent No.:** **US D671,434 S**
(45) **Date of Patent:** **** Nov. 27, 2012**

(54) **INDICATOR FOR AN APPARATUS FOR MONITORING TIRE AIR PRESSURE**

(75) Inventors: **Satoru Kawai**, Ogaki (JP); **Satoshi Mori**, Ogaki (JP)

(73) Assignees: **Pacific Industrial Co., Ltd.**, Gifu-ken (JP); **Bridgestone Corporation**, Tokyo (JP)

(**) Term: **14 Years**

(21) Appl. No.: **29/374,512**

(22) Filed: **Aug. 24, 2011**

(30) **Foreign Application Priority Data**

Feb. 25, 2011 (JP) 2011-004170

(51) **LOC (9) Cl.** **10-04**

(52) **U.S. Cl.** **D10/86**

(58) **Field of Classification Search** D10/86;
73/732, 744, 742, 717, 741, 146.3, 146.8
See application file for complete search history.

Primary Examiner — Antoine D Davis

(74) *Attorney, Agent, or Firm* — Faegre Baker Daniels LLP

(57) **CLAIM**

The ornamental design for an indicator for an apparatus for monitoring tire air pressure, as shown.

DESCRIPTION

FIG. 1 is a perspective view of an indicator for an apparatus for monitoring tire air pressure showing our new design;
FIG. 2 is a front view thereof;
FIG. 3 is a rear view thereof;
FIG. 4 is a top plan view thereof;
FIG. 5 is a bottom plan view thereof;
FIG. 6 is a right side elevational view thereof; and,
FIG. 7 is a left side elevational view thereof.

1 Claim, 5 Drawing Sheets

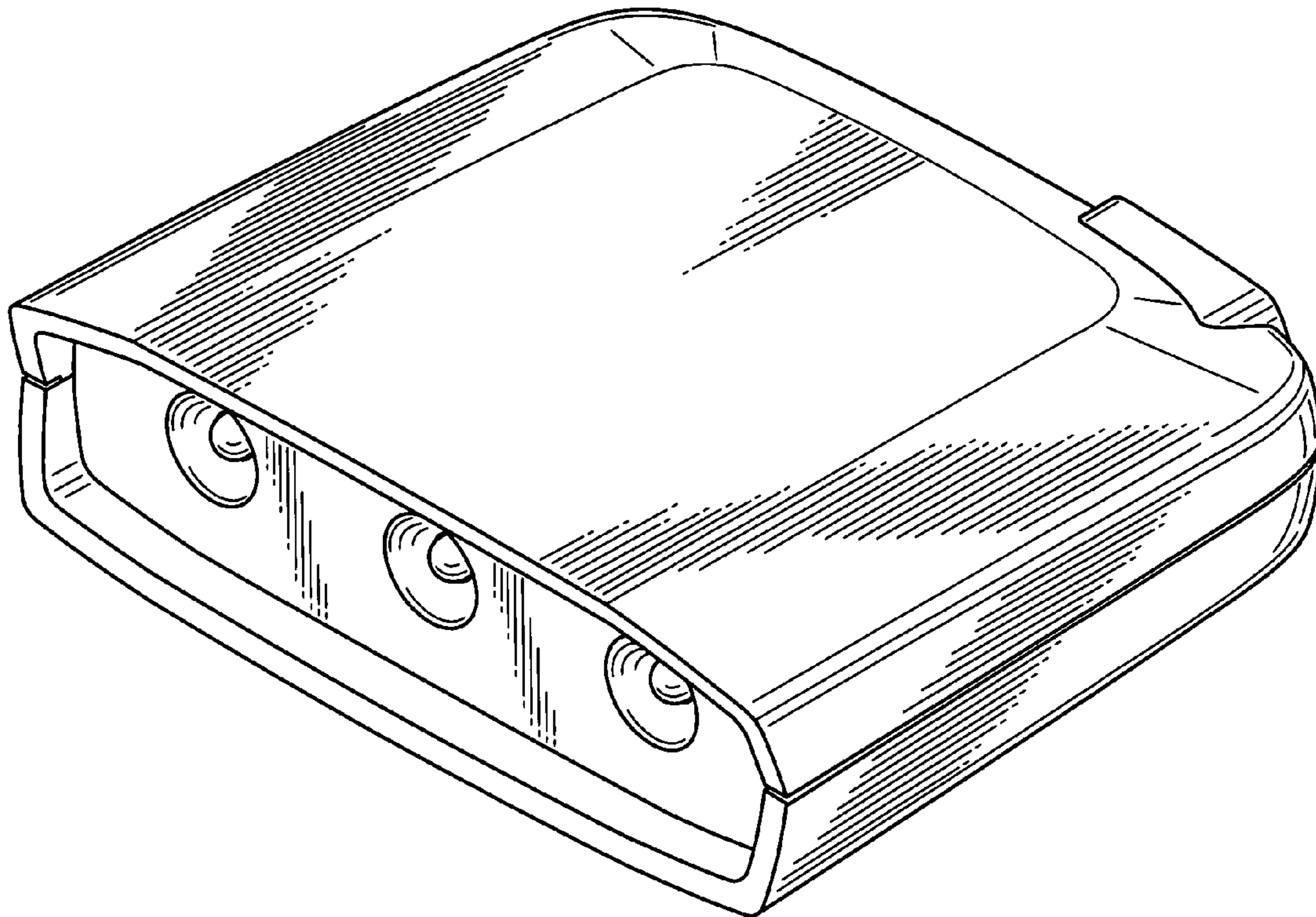


FIG. 1

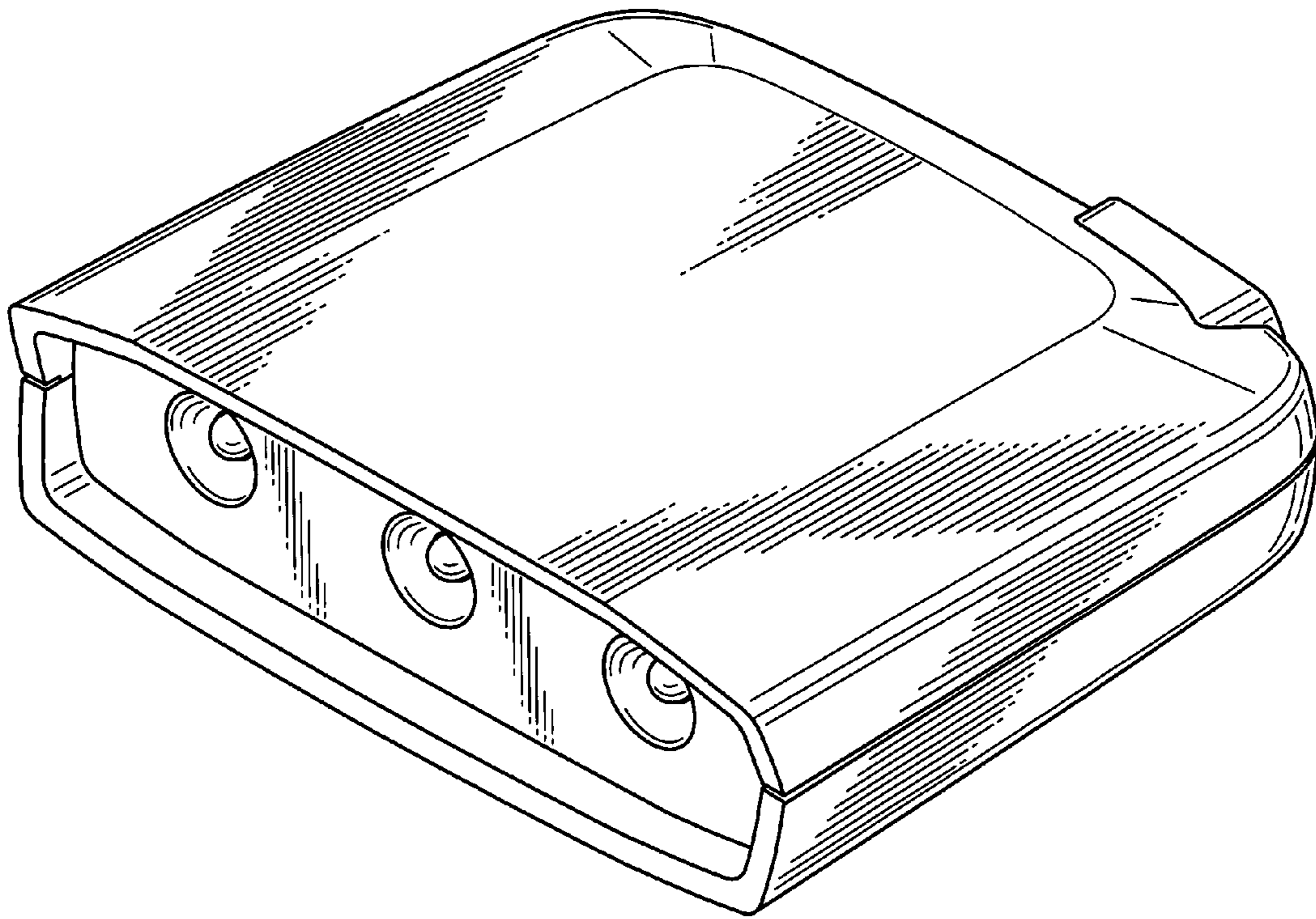


FIG. 2

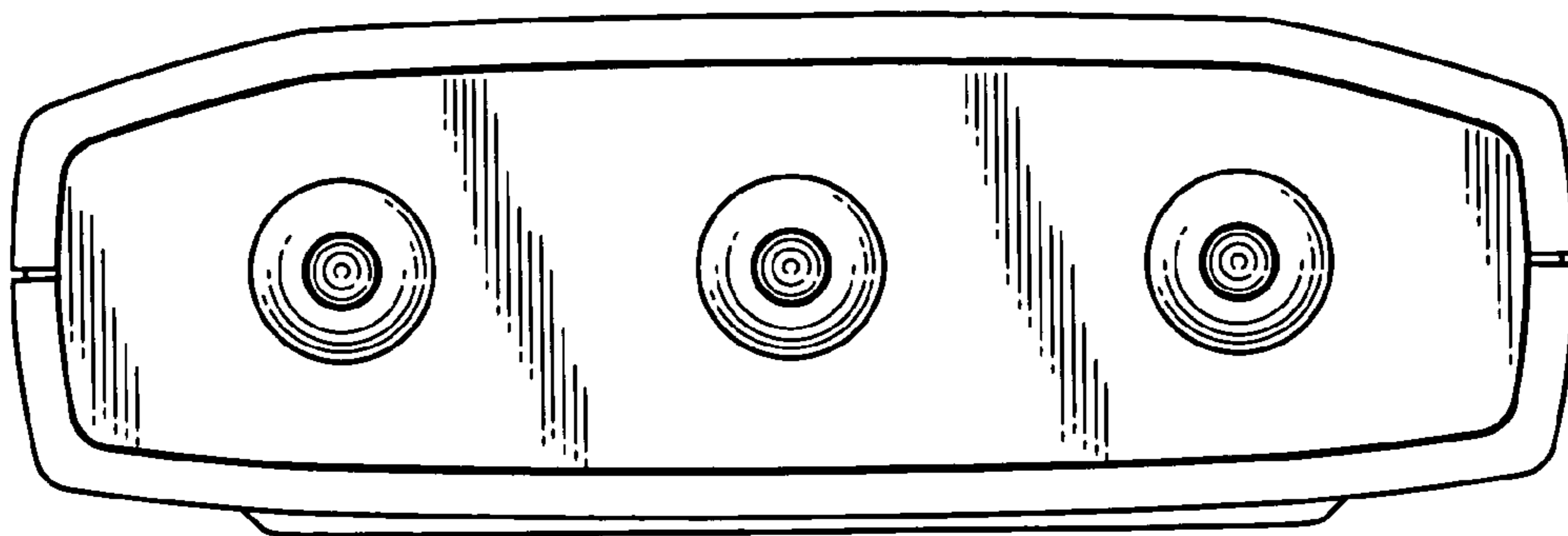


FIG. 3

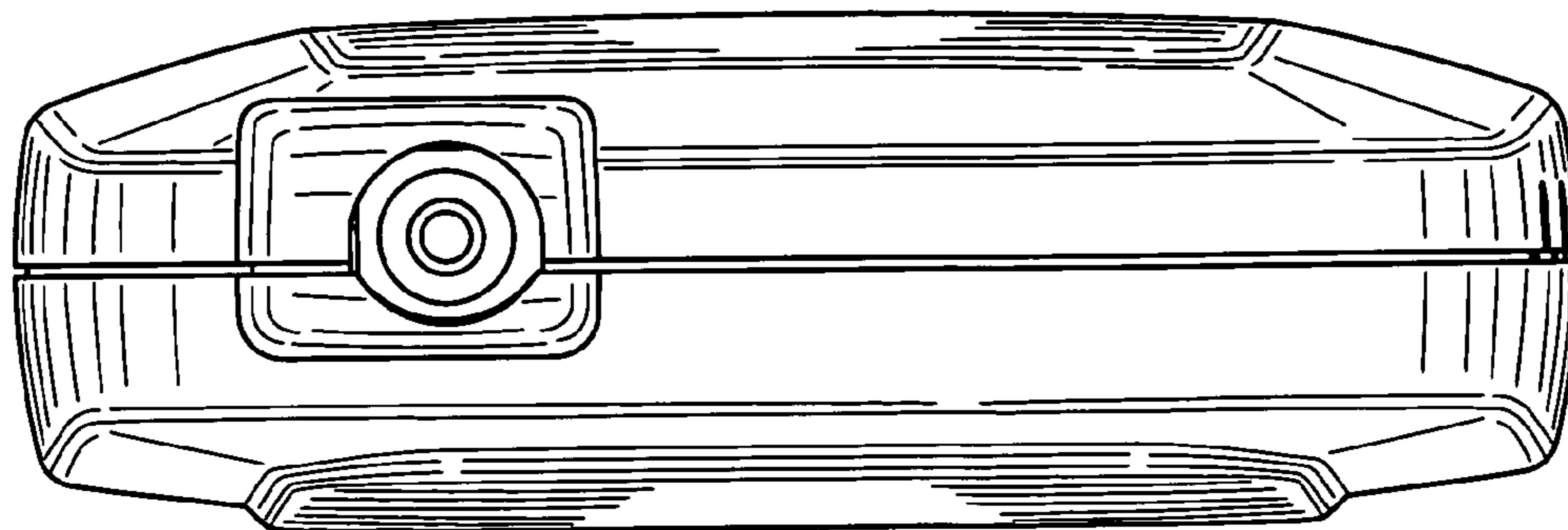


FIG. 4

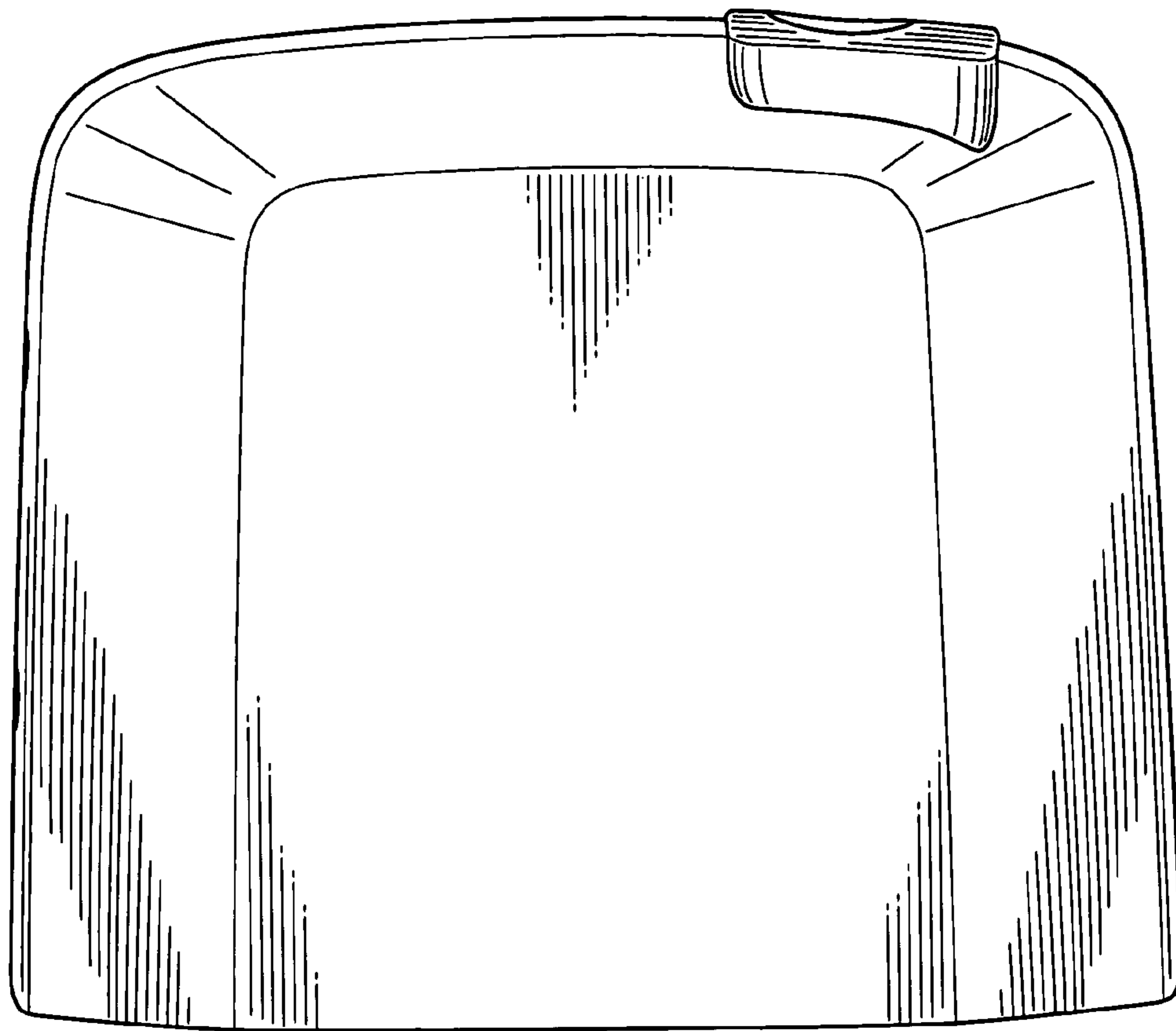


FIG. 5

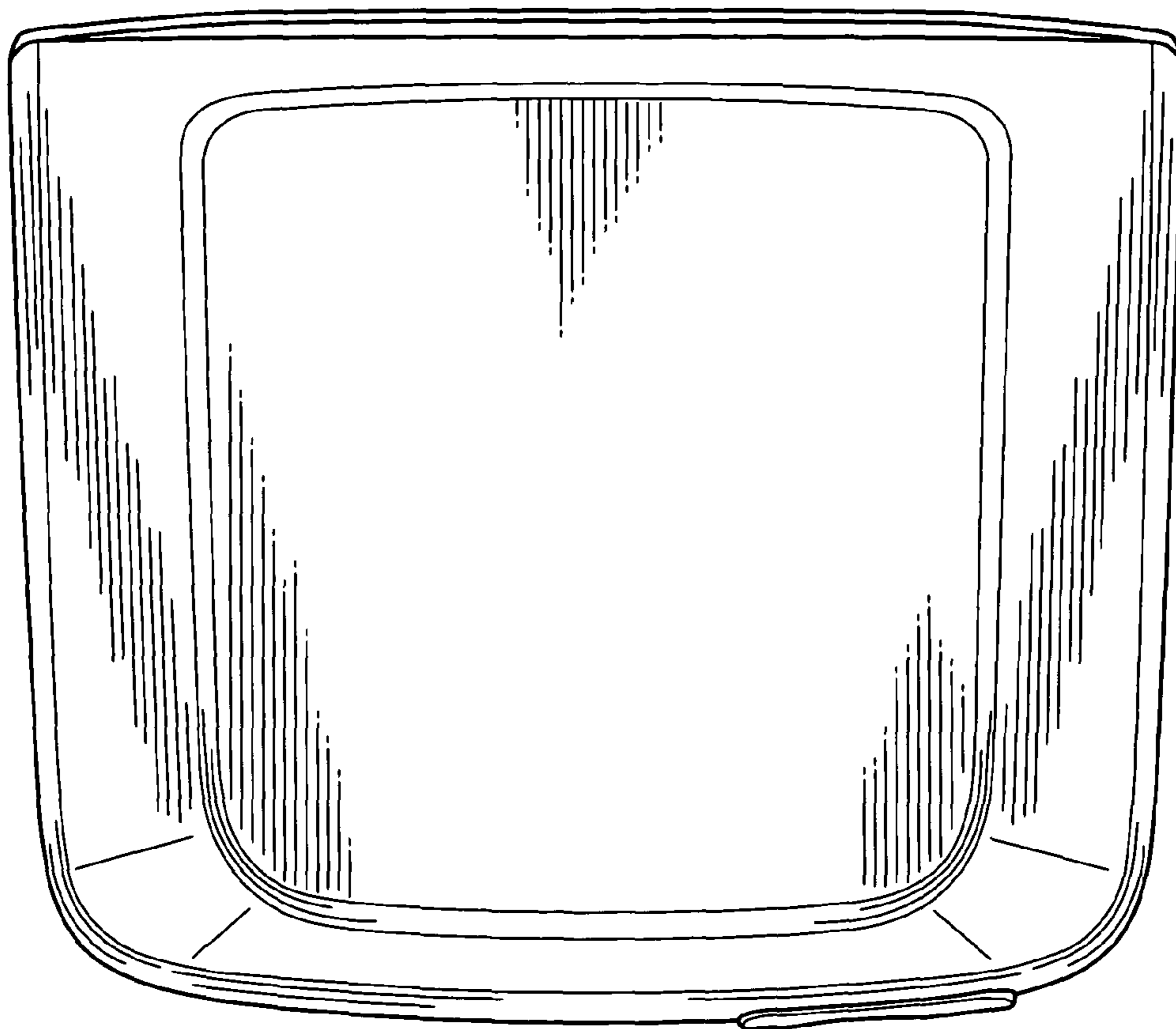


FIG. 6

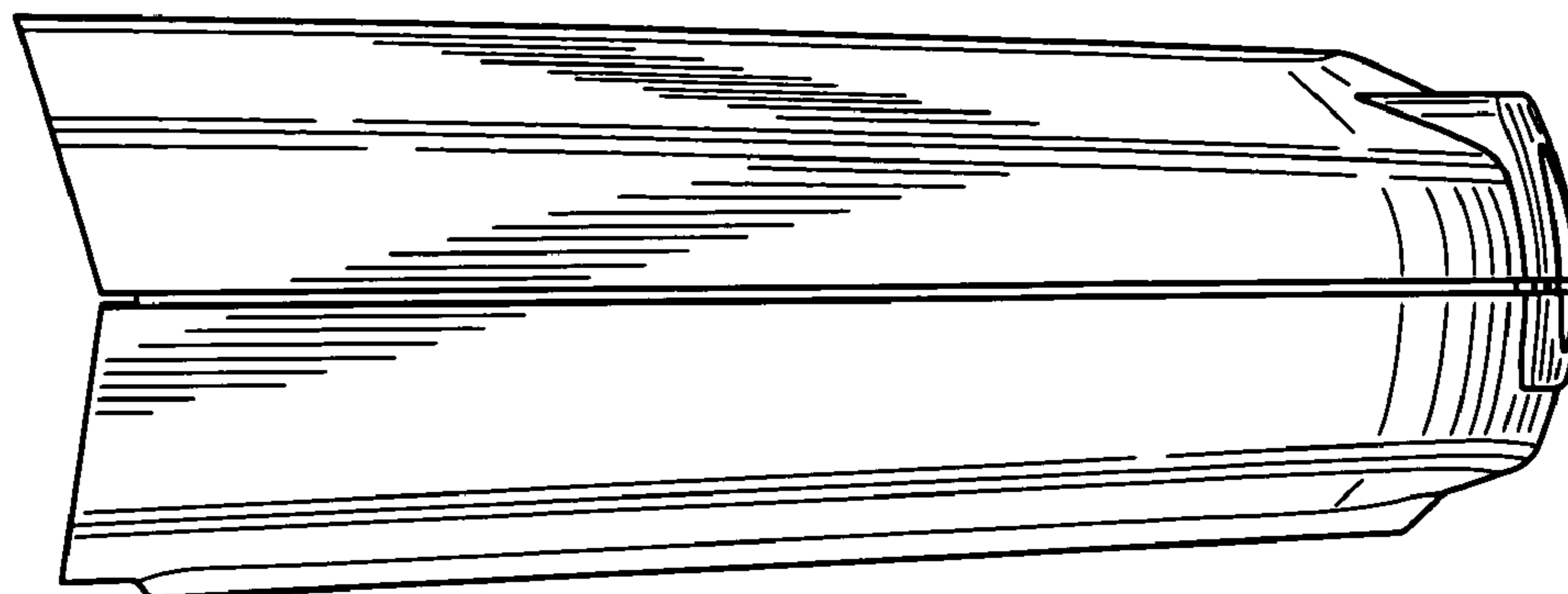


FIG. 7

