

US00D671429S

(12) **United States Design Patent**
Parmigiani

(10) **Patent No.:** **US D671,429 S**

(45) **Date of Patent:** **** Nov. 27, 2012**

(54) **WATCH CASE**

(75) Inventor: **Michel Parmigiani**, Fleurier (CH)

(73) Assignee: **Parmigiani Fleurier SA**, Fleurier (CH)

(**) Term: **14 Years**

(21) Appl. No.: **29/417,991**

(22) Filed: **Apr. 11, 2012**

(30) **Foreign Application Priority Data**

Oct. 11, 2011 (EM) 077 397

(51) **LOC (9) Cl.** **10-02**

(52) **U.S. Cl.** **D10/38**

(58) **Field of Classification Search** D10/30-39;
368/276, 281, 282

See application file for complete search history.

(56) **References Cited**

U.S. PATENT DOCUMENTS

3,740,944	A *	6/1973	Chopard	368/281
3,901,023	A *	8/1975	Uebelhardt	368/281
D264,945	S *	6/1982	Pennell	D10/32
D334,715	S *	4/1993	Besson	D10/39
D349,653	S *	8/1994	Giardiello	D10/30
D349,654	S *	8/1994	Giardiello	D10/39
D361,521	S *	8/1995	Koga	D10/30
D377,150	S *	1/1997	Hartzband	D10/32
D390,788	S *	2/1998	Parmigiani	D10/30

D415,043	S *	10/1999	Fichter	D10/39
D488,724	S *	4/2004	Bertucci	D10/30
D525,537	S *	7/2006	Monachon	D10/32
D545,222	S *	6/2007	Parmigiani	D10/38
D555,015	S *	11/2007	Parmigiani	D10/38
D569,276	S *	5/2008	Scheufele	D10/39
D618,565	S *	6/2010	Dolce et al.	D10/38
D624,443	S *	9/2010	Cerrato	D10/38
D632,979	S *	2/2011	Chastaingt	D10/38
D645,361	S *	9/2011	Parmigiani	D10/38
D660,727	S *	5/2012	Parmigiani	D10/38

* cited by examiner

Primary Examiner — Lucy Lieberman

(74) *Attorney, Agent, or Firm* — Clifford W. Browning;
Krieg DeVault LLP

(57) **CLAIM**

The ornamental design for a watch case, as shown and described.

DESCRIPTION

FIG. 1 is a top and right side perspective view of the watch case of the present invention.

FIG. 2 is a top view of the watch case of FIG. 1.

FIG. 3 is a bottom view of the watch case of FIG. 1.

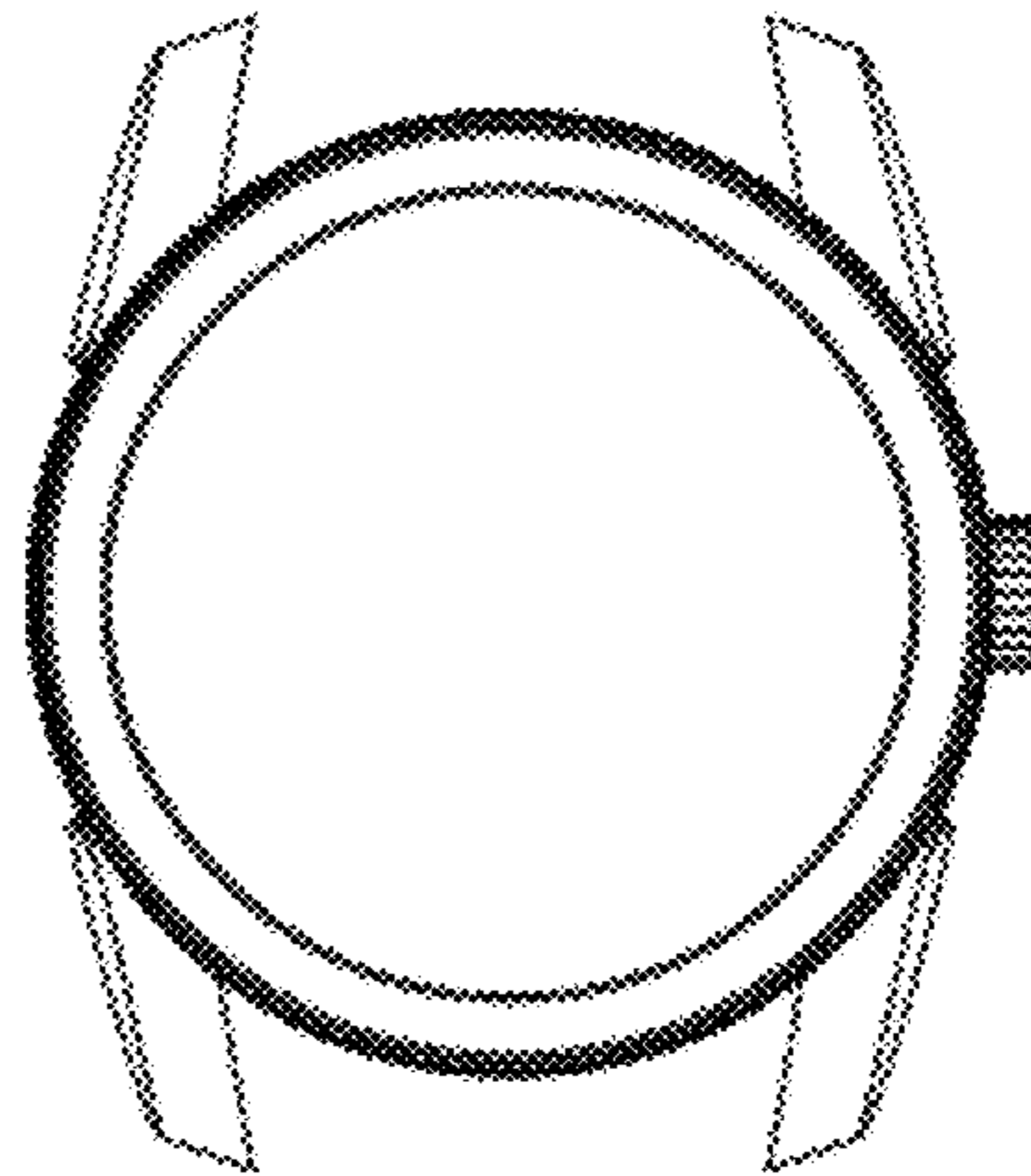
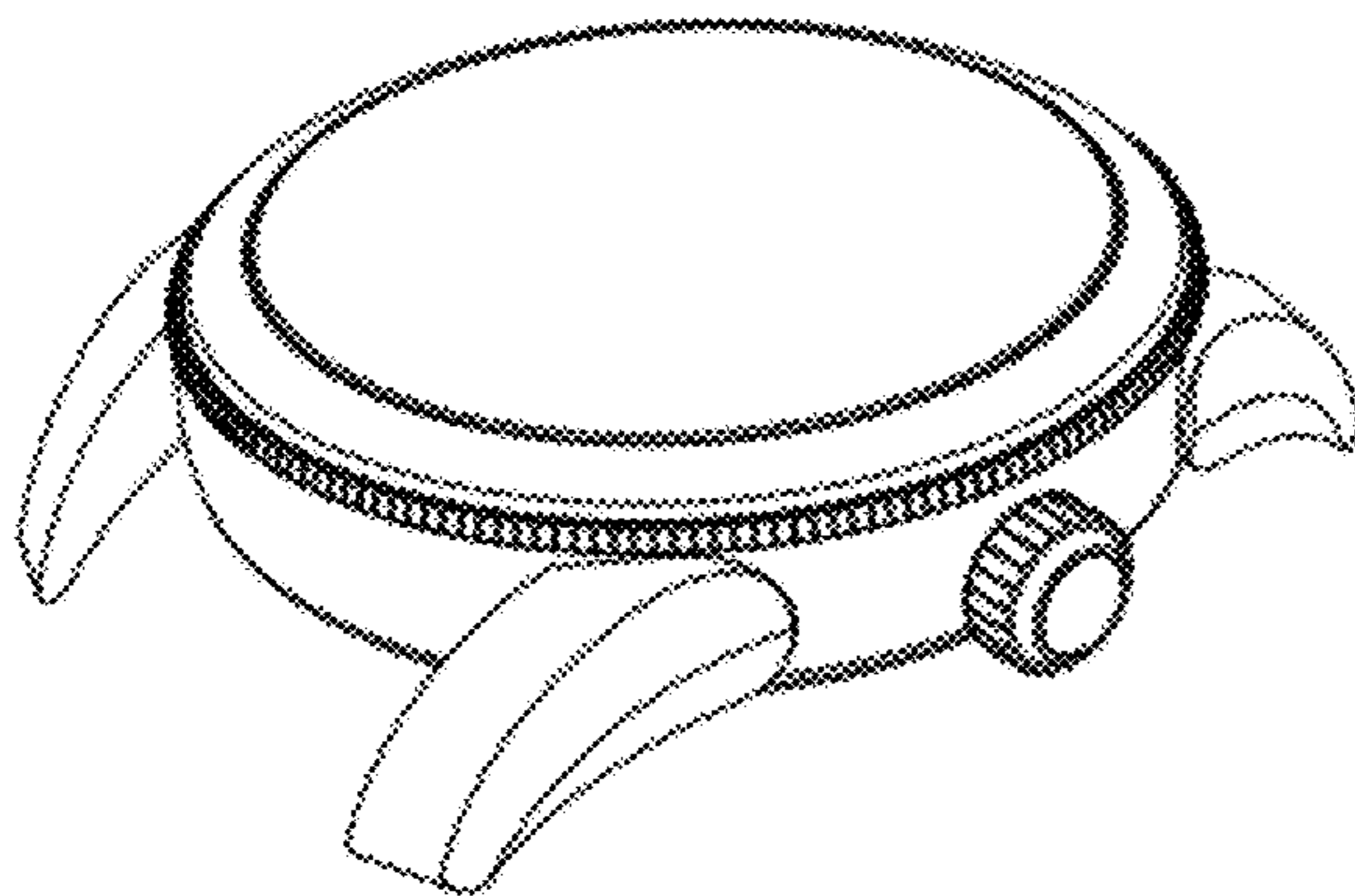
FIG. 4 is a right side view of the watch case of FIG. 1.

FIG. 5 is a rear view of the watch case of FIG. 1.

FIG. 6 is a left side view of the watch case of FIG. 1; and,

FIG. 7 is a front view of the watch case of FIG. 1.

1 Claim, 1 Drawing Sheet



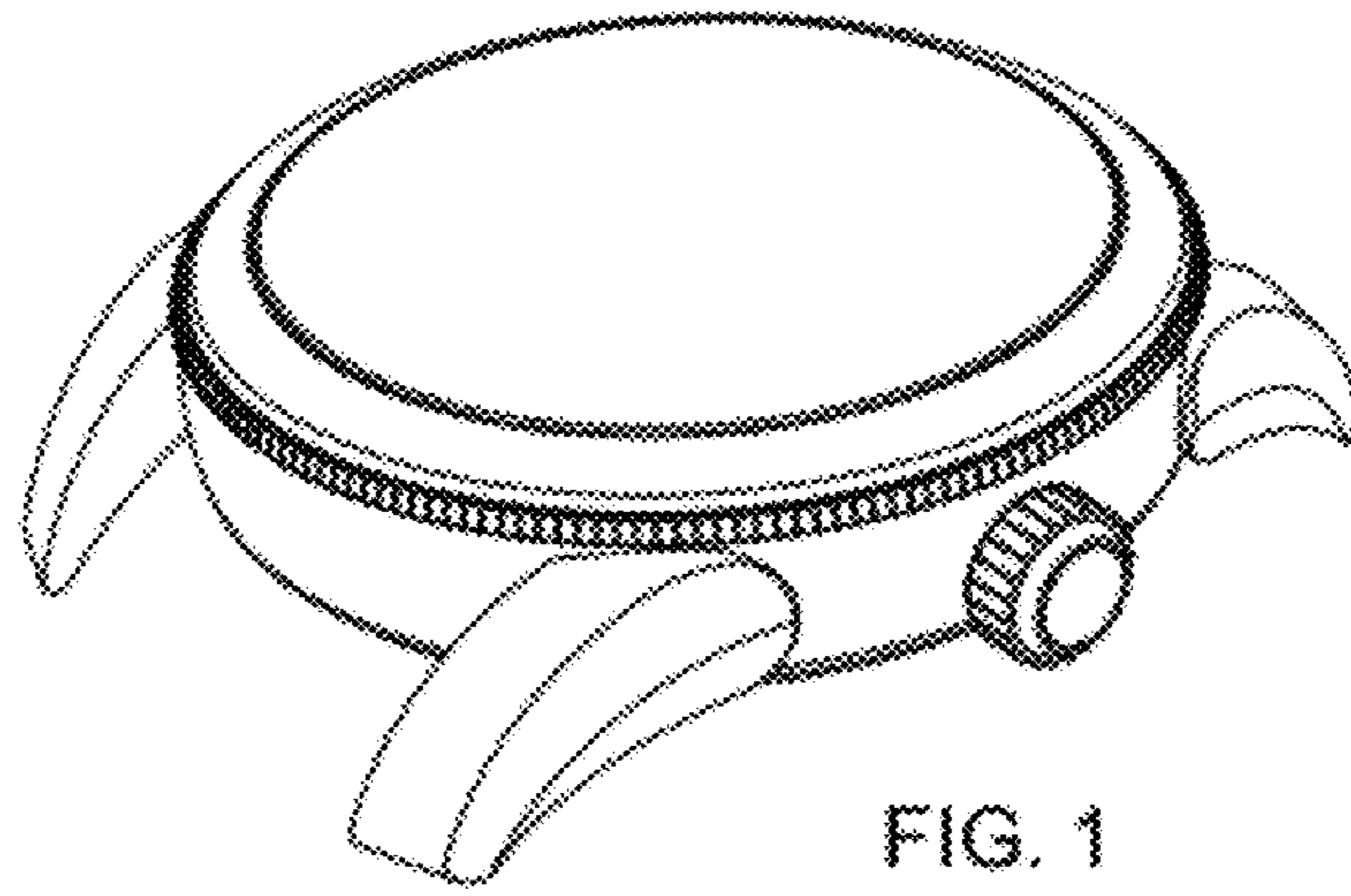


FIG. 1

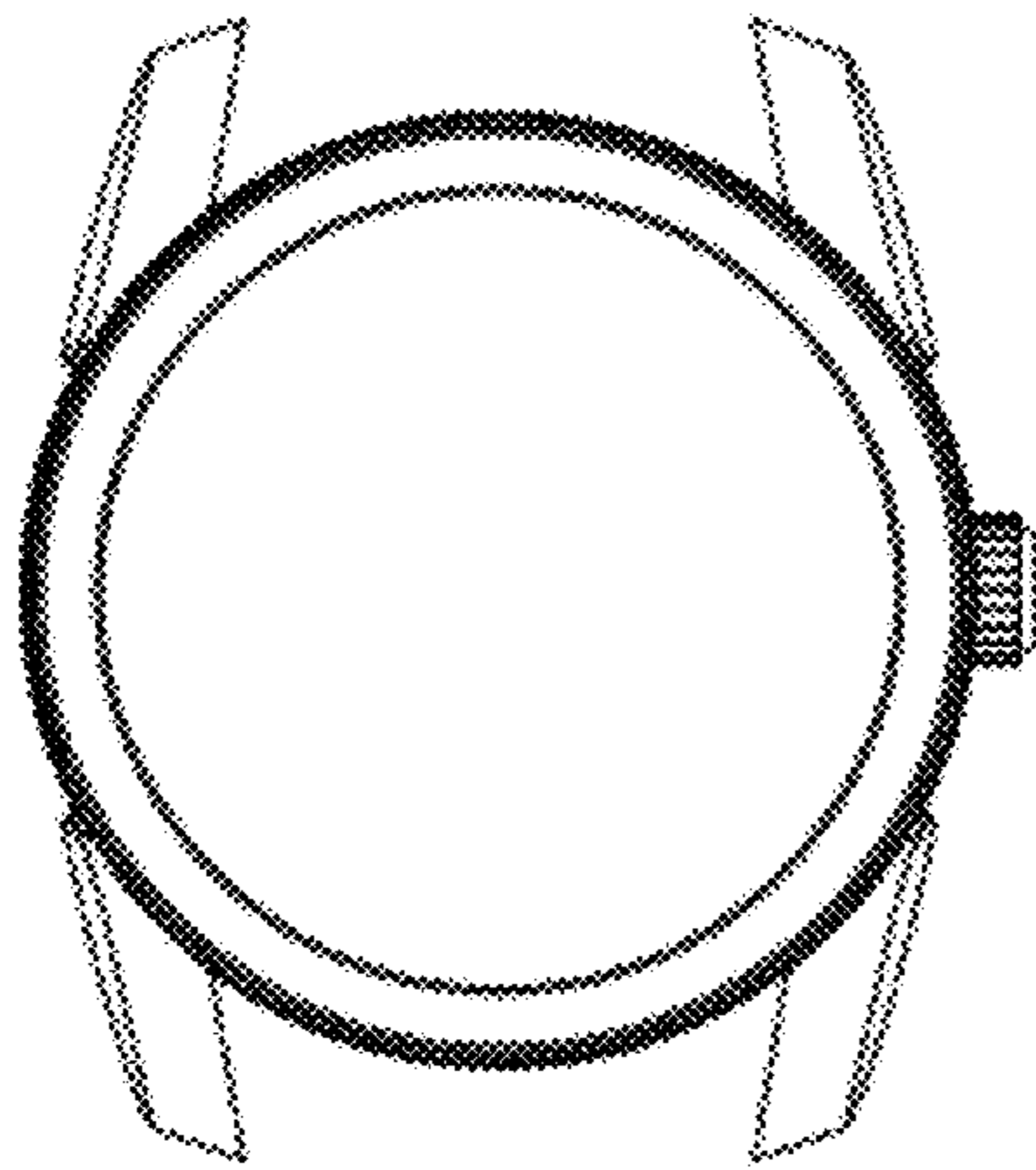


FIG. 2

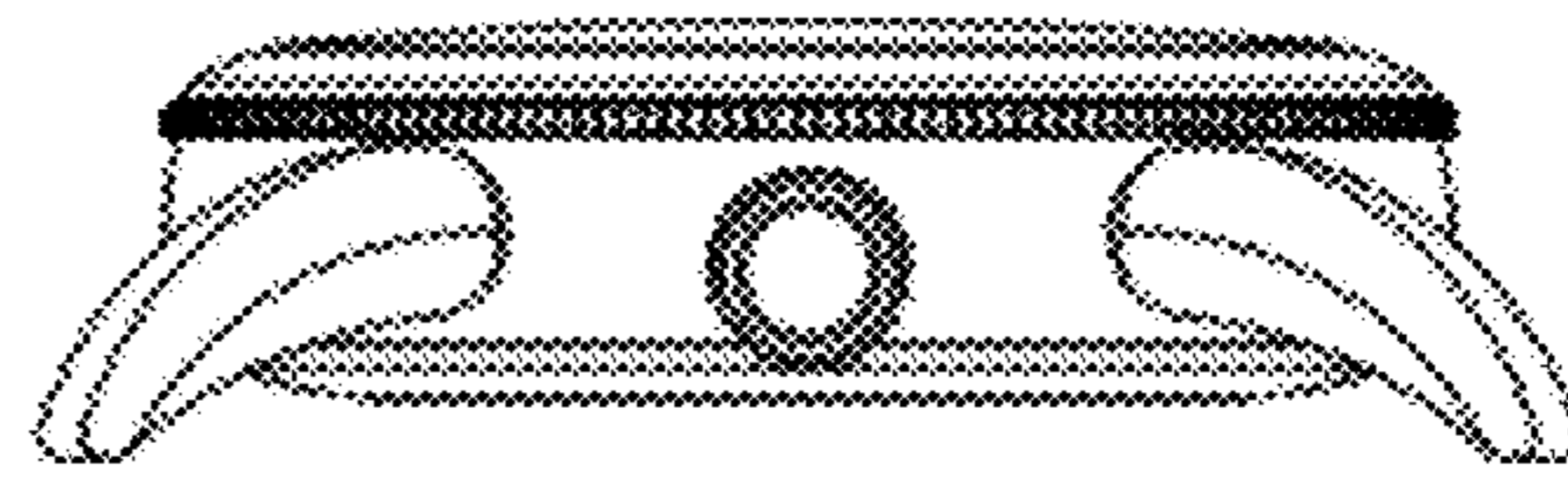


FIG. 4

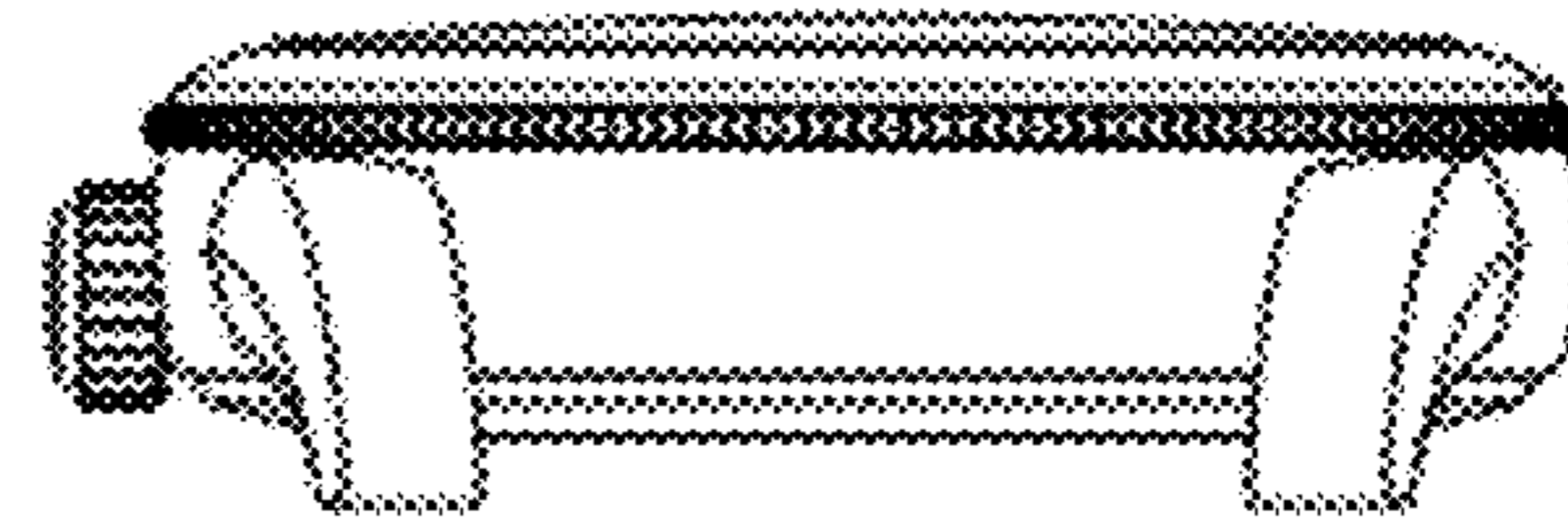


FIG. 5

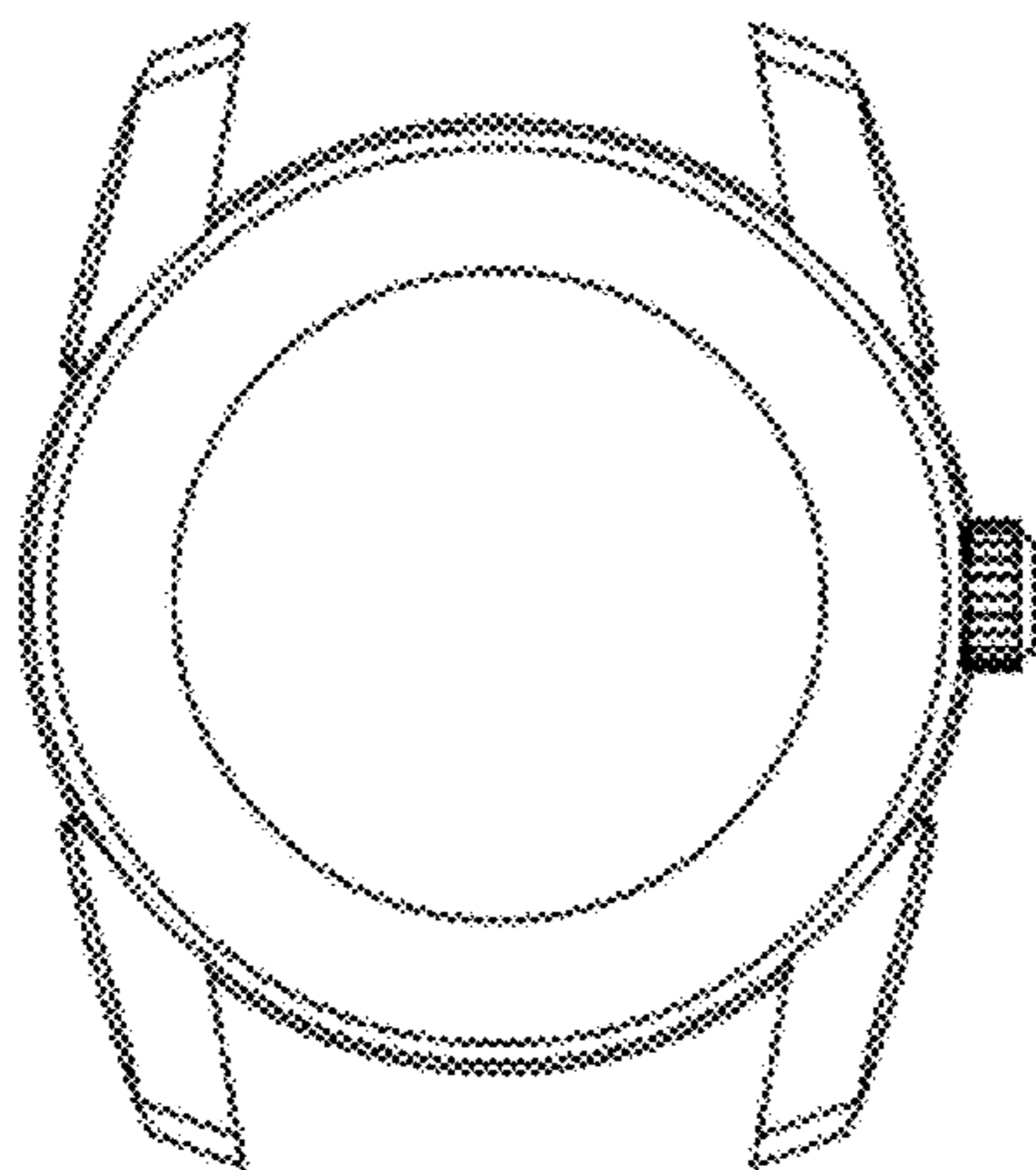


FIG. 3

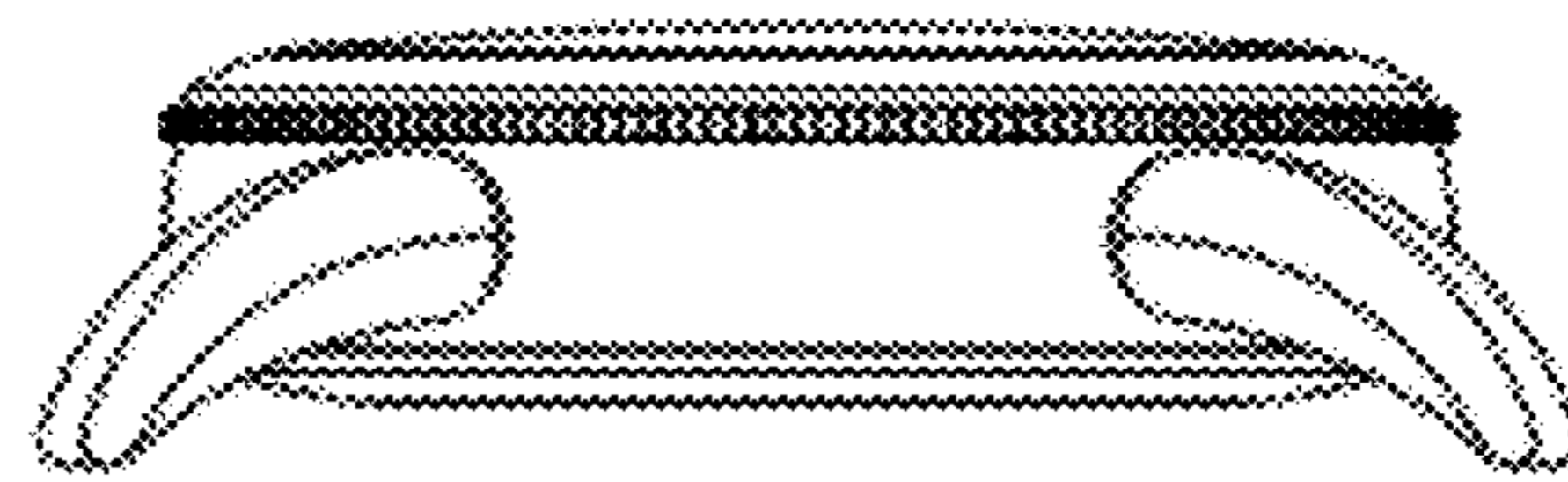


FIG. 6

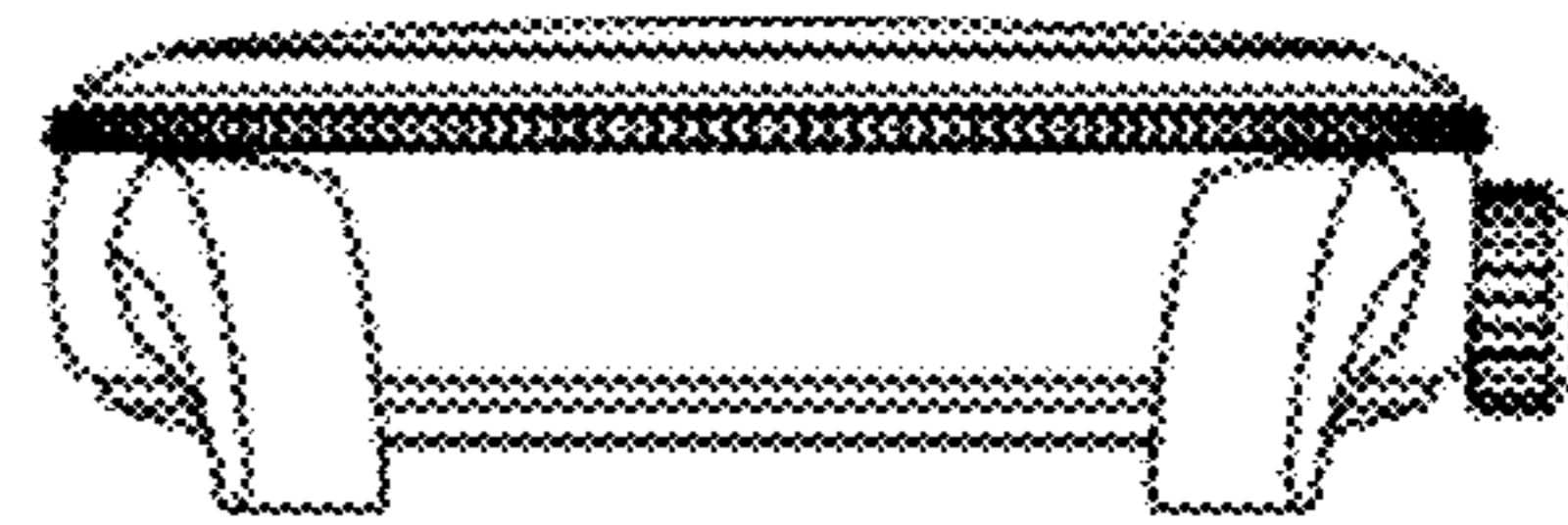


FIG. 7