



US00D671427S

(12) **United States Design Patent**
Landry

(10) **Patent No.:** **US D671,427 S**

(45) **Date of Patent:** **** Nov. 27, 2012**

(54) **TRAY**

(75) **Inventor:** **Paul Landry**, Cheraw, SC (US)

(73) **Assignee:** **Cascades Canada ULC**, Montreal, Quebec (CA)

(**) **Term:** **14 Years**

(21) **Appl. No.:** **29/411,636**

(22) **Filed:** **Jan. 24, 2012**

(30) **Foreign Application Priority Data**

Jan. 12, 2012 (CA) 143945

(51) **LOC (9) Cl.** **09-03**

(52) **U.S. Cl.** **D9/755**

(58) **Field of Classification Search** D9/755,
D9/425, 428, 420, 432, 455, 424, 737; D7/553.1,
D7/553.2, 553.3; 248/311.2; 220/23.8, 507;
206/592, 557, 564, 433, 203, 427, 521, 521.1;
229/406, 407, 902, 904; 294/143, 159, 144,
294/172

See application file for complete search history.

(56) **References Cited**

U.S. PATENT DOCUMENTS

D236,575 S	9/1975	Vigue
3,917,152 A	11/1975	Burkett
3,985,256 A	10/1976	Burkett
D249,620 S	9/1978	Vigue
D249,622 S	9/1978	Vigue
D249,769 S	10/1978	Vigue
D250,091 S	10/1978	Jewell
D250,243 S	11/1978	Vigue
D253,561 S	12/1979	Vigue
4,208,006 A	6/1980	Bixler
4,218,008 A	8/1980	Vielleox

(Continued)

FOREIGN PATENT DOCUMENTS

CA 2060608 8/1992

(Continued)

OTHER PUBLICATIONS

http://web.archive.org/web/20080129082914/http://www.reliablepaper.com/Chinet_Paper_Beverage_Carrier_4_Cup_p/huhflurry.htm.

(Continued)

Primary Examiner — Mark Goodwin

(74) *Attorney, Agent, or Firm* — Sutherland Asbill & Brennan LLP

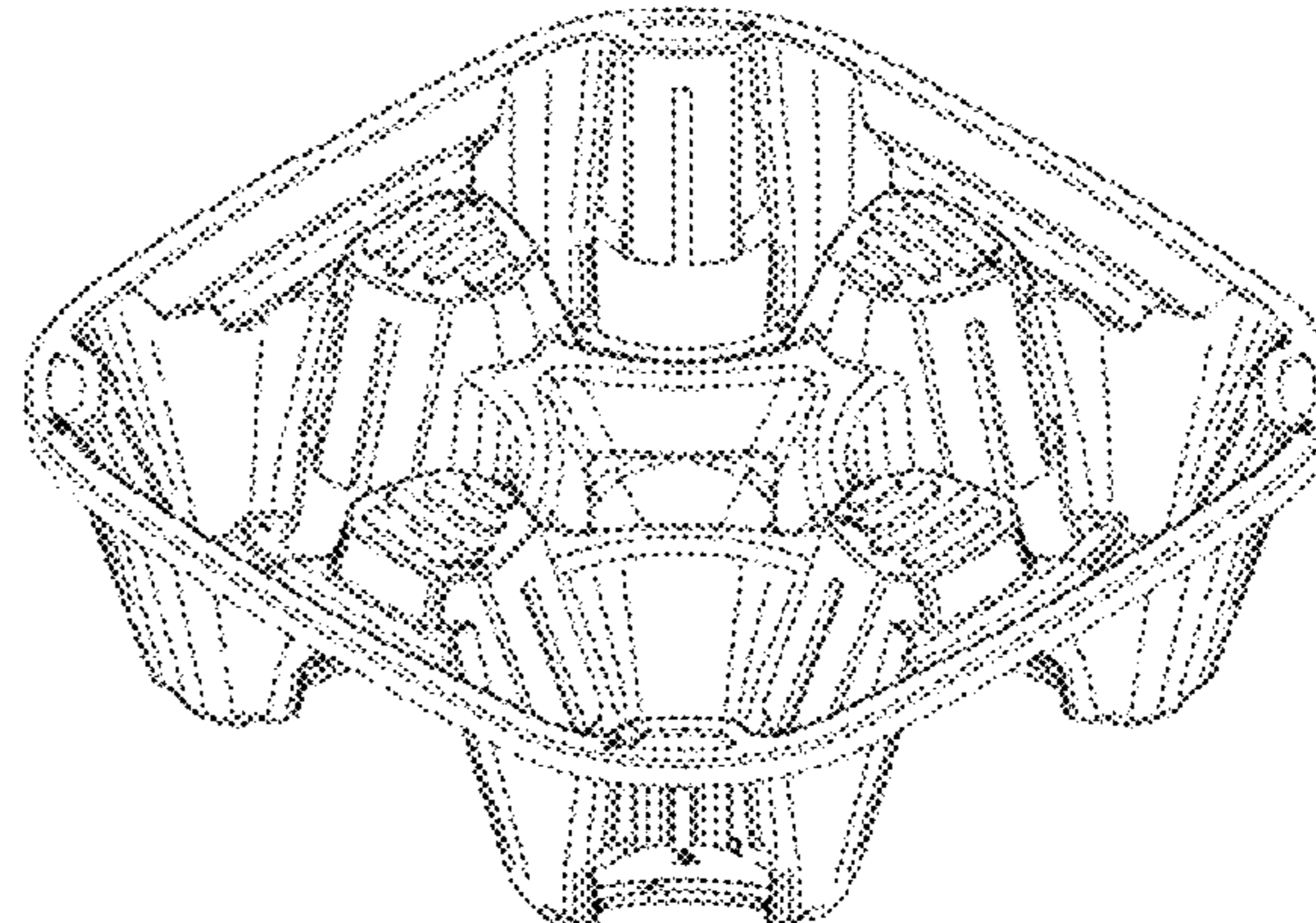
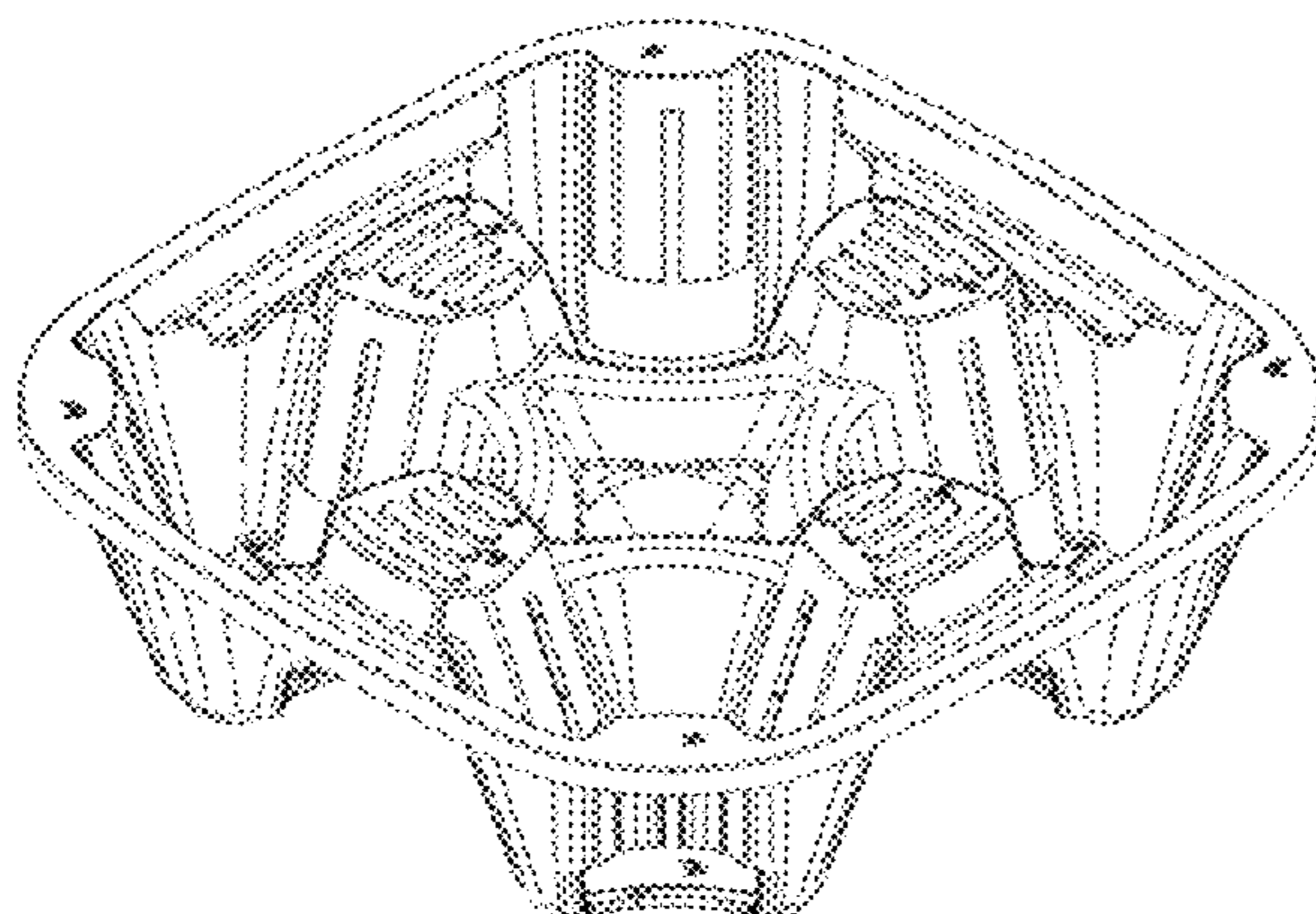
(57) **CLAIM**

The ornamental design for a tray, as shown and described.

DESCRIPTION

FIG. 1 is a perspective view of a tray in accordance with a first embodiment and showing my new design; FIG. 2 is a front view of the tray shown in FIG. 1, the rear, the left side, the right side views being identical thereto; FIG. 3 is a top view of the tray shown in FIG. 1; FIG. 4 is a bottom view of the tray shown in FIG. 1; FIG. 5 is a perspective view of the tray in accordance with a second embodiment; FIG. 6 is a front view of the tray shown in FIG. 5, the rear, the left side, the right side views being identical thereto; FIG. 7 is a top view of the tray shown in FIG. 5; and, FIG. 8 is a bottom view of the tray shown in FIG. 5. The portions shown in broken lines do not form part of the claimed design.

1 Claim, 6 Drawing Sheets



US D671,427 S

Page 2

U.S. PATENT DOCUMENTS

D259,917 S 7/1981 Horsting
4,381,847 A 5/1983 Bessett
D274,110 S 6/1984 Vigue
D279,259 S 6/1985 Bixler
D289,010 S 3/1987 Vigue
D290,580 S 6/1987 Vigue
4,718,555 A 1/1988 Amberg
D302,114 S 7/1989 Ashby
D302,122 S 7/1989 Ashby
4,863,451 A 9/1989 Marder
D305,713 S * 1/1990 Seifried D7/553.4
D309,258 S 7/1990 Vigue
4,961,500 A 10/1990 Coulombe
D319,579 S 9/1991 Vigue
5,096,065 A 3/1992 Vigue
D331,008 S 11/1992 Vigue
5,316,173 A 5/1994 Emery
5,335,814 A 8/1994 Hepp
5,566,852 A 10/1996 Emery
D384,275 S 9/1997 DuBois
5,713,619 A 2/1998 DuBois
6,076,876 A 6/2000 Letourneau
D436,853 S 1/2001 Sussman
D438,100 S 2/2001 Cekota
6,276,531 B1 8/2001 Andrews
6,398,056 B1 6/2002 Letourneau
6,679,380 B2 1/2004 Brown
D494,867 S 8/2004 Apps
D529,401 S 10/2006 Aoki
D535,881 S 1/2007 Liukko
7,225,927 B2 6/2007 Sweeney
D552,488 S 10/2007 Sharma

D554,533 S 11/2007 Sharma
D567,672 S 4/2008 Sheu
7,506,763 B2 3/2009 Hatcher
D614,047 S 4/2010 Landry
7,762,396 B1 7/2010 Yang
7,789,239 B2 9/2010 Juliano
D640,570 S 6/2011 Landry
D640,571 S 6/2011 Landry
2006/0042977 A1 3/2006 Sandel
2007/0017827 A1 1/2007 Urquhart
2007/0278126 A1 12/2007 Hatcher
2008/0135445 A1 6/2008 Juliano
2011/0120995 A1 5/2011 Landry

FOREIGN PATENT DOCUMENTS

CA D130703 3/2010
CA D133856 3/2010
CA D133906 3/2010
EP 15104470001 5/2009
WO 2006065132 A2 6/2006
WO 2010064305 A2 6/2010
WO 2010124383 A2 11/2010

OTHER PUBLICATIONS

[https://pactivnet.pactiv.com/ProductCatalog/Rooms/DisplayPages/
LayoutInitial?Container=com.webridge.entity.
Entity%5BROID%5B84C77F6C26B2D7119A990002A5DA46D2%5D%5D.](https://pactivnet.pactiv.com/ProductCatalog/Rooms/DisplayPages/LayoutInitial?Container=com.webridge.entity.Entity%5BROID%5B84C77F6C26B2D7119A990002A5DA46D2%5D%5D)
[https://pactivnet.pactiv.com/ProductCatalog/Rooms/DisplayPages/
LayoutInitial?Container=com.webridge.entity.
Entity%5BROID%5BD908D3DD91E7D611A7E0002A5FBF6DF%5D%5D.](https://pactivnet.pactiv.com/ProductCatalog/Rooms/DisplayPages/LayoutInitial?Container=com.webridge.entity.Entity%5BROID%5BD908D3DD91E7D611A7E0002A5FBF6DF%5D%5D)

* cited by examiner

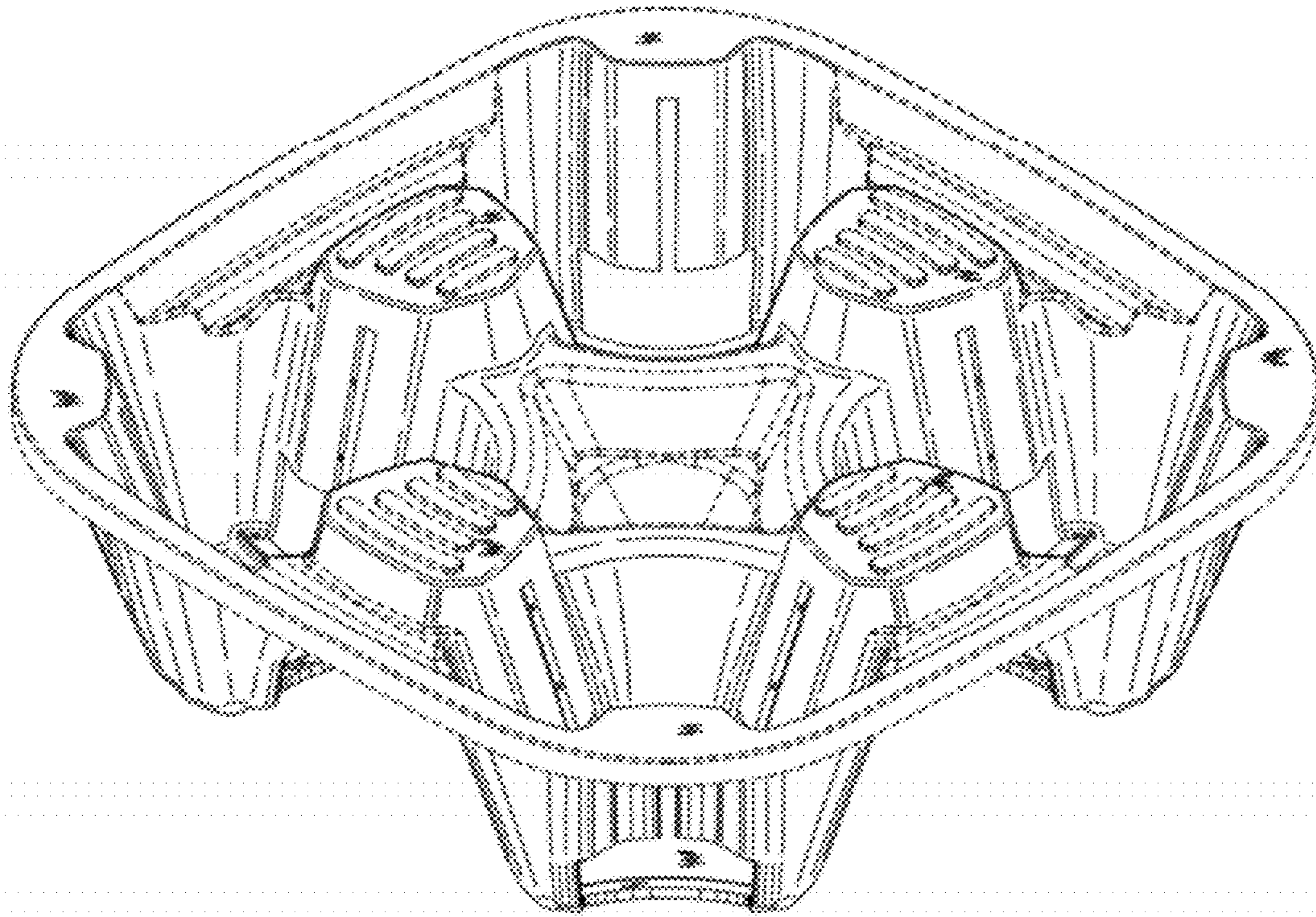


Fig. 1

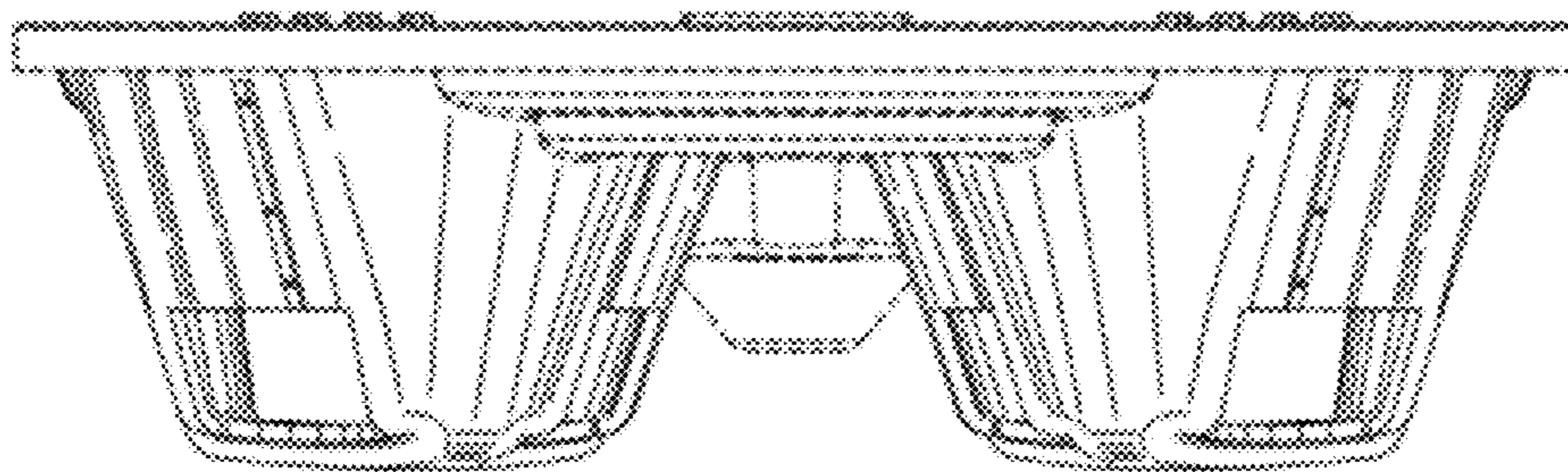


Fig. 2

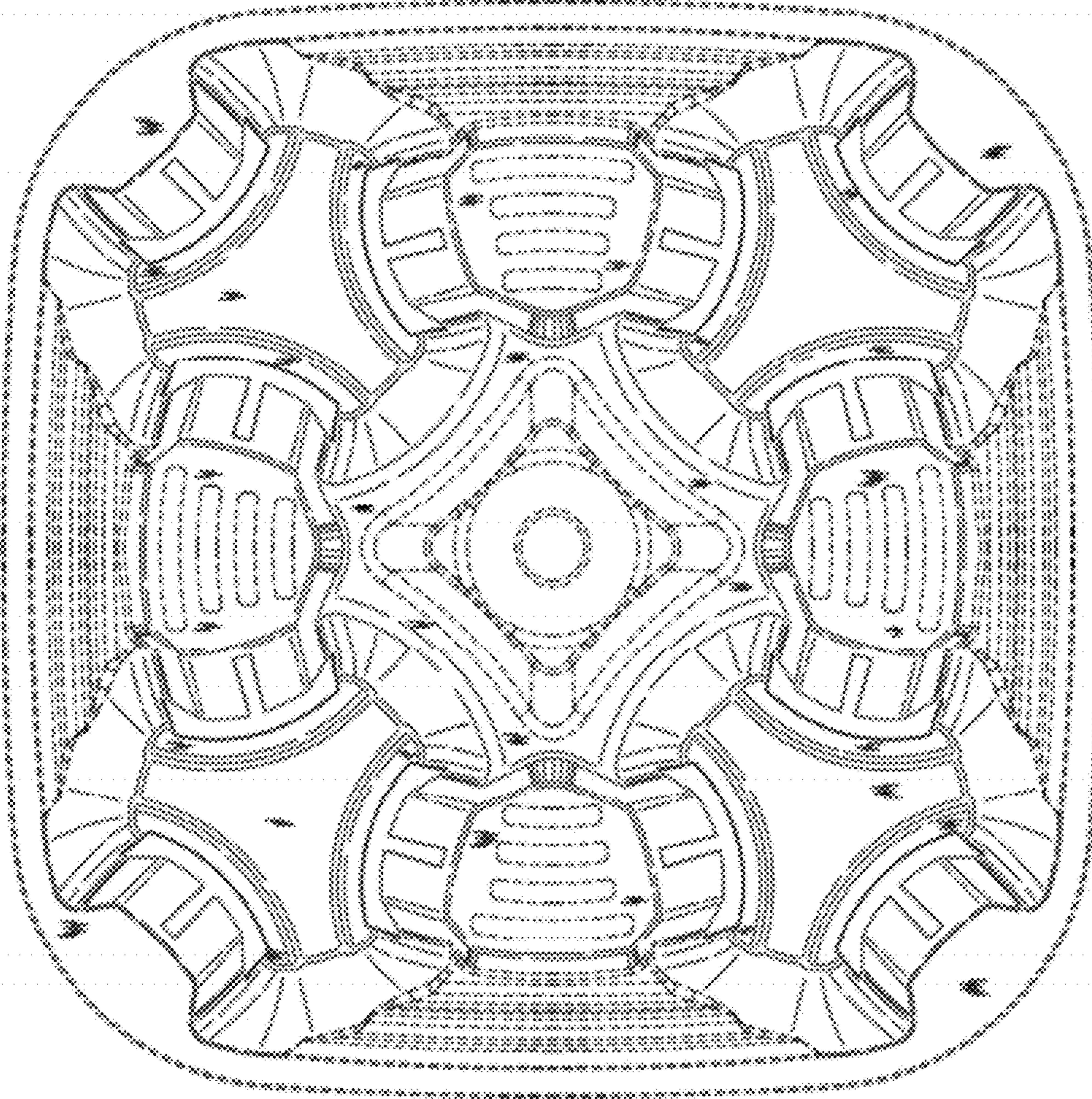


Fig. 3

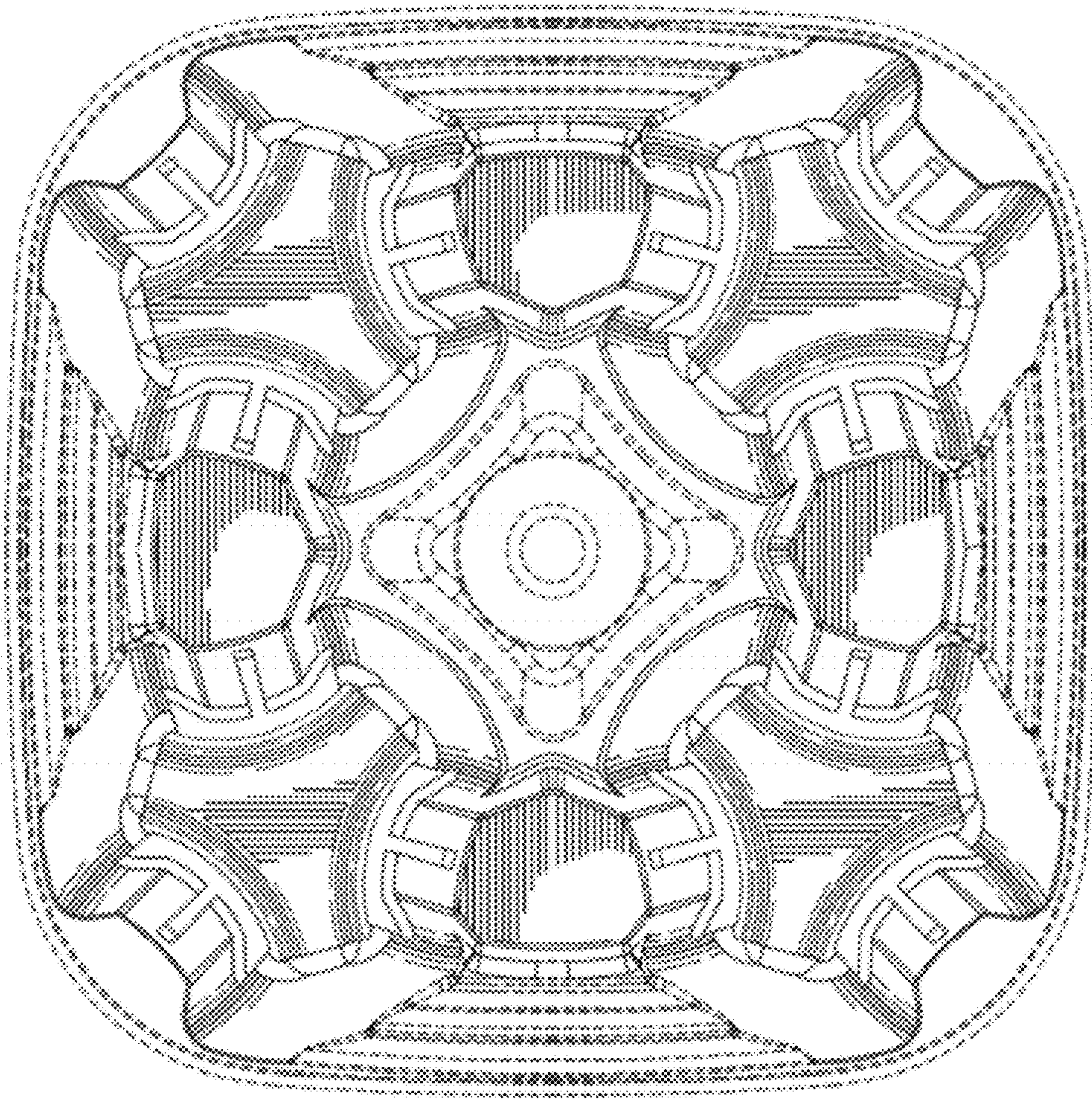


Fig. 4

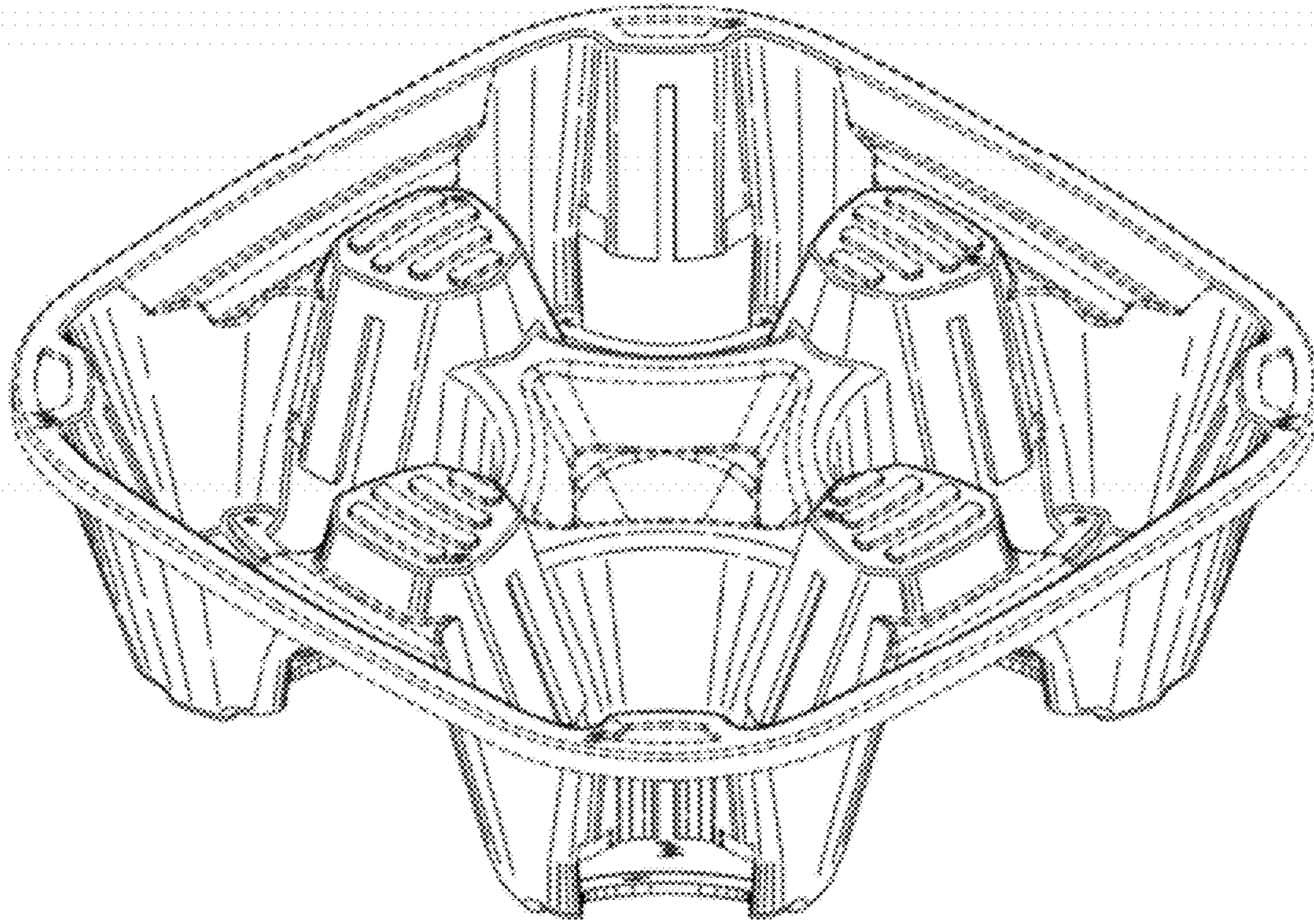


Fig. 5

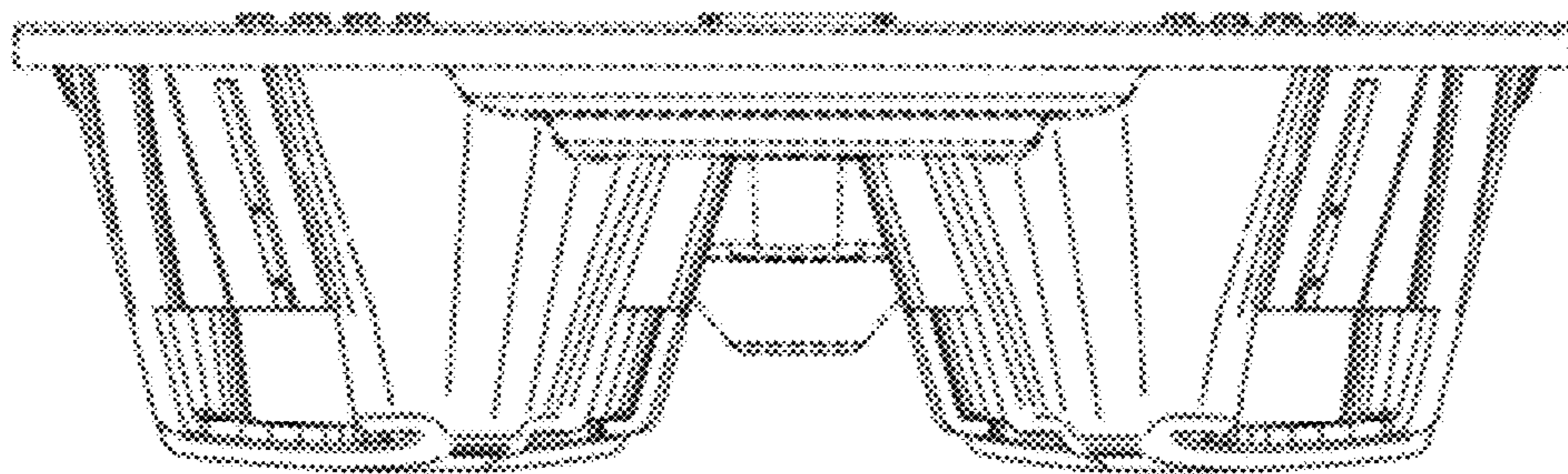


Fig. 6

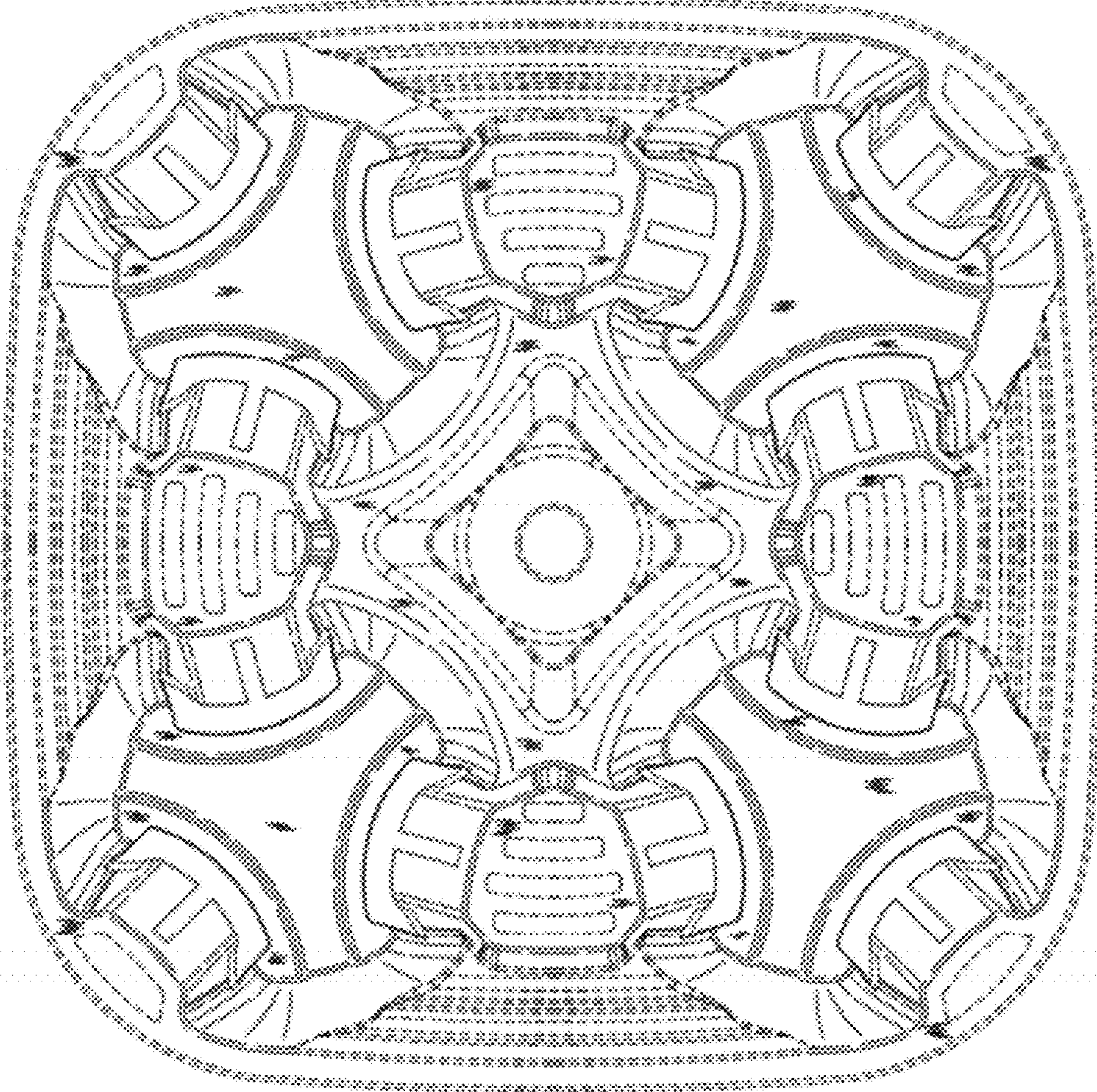


Fig. 7

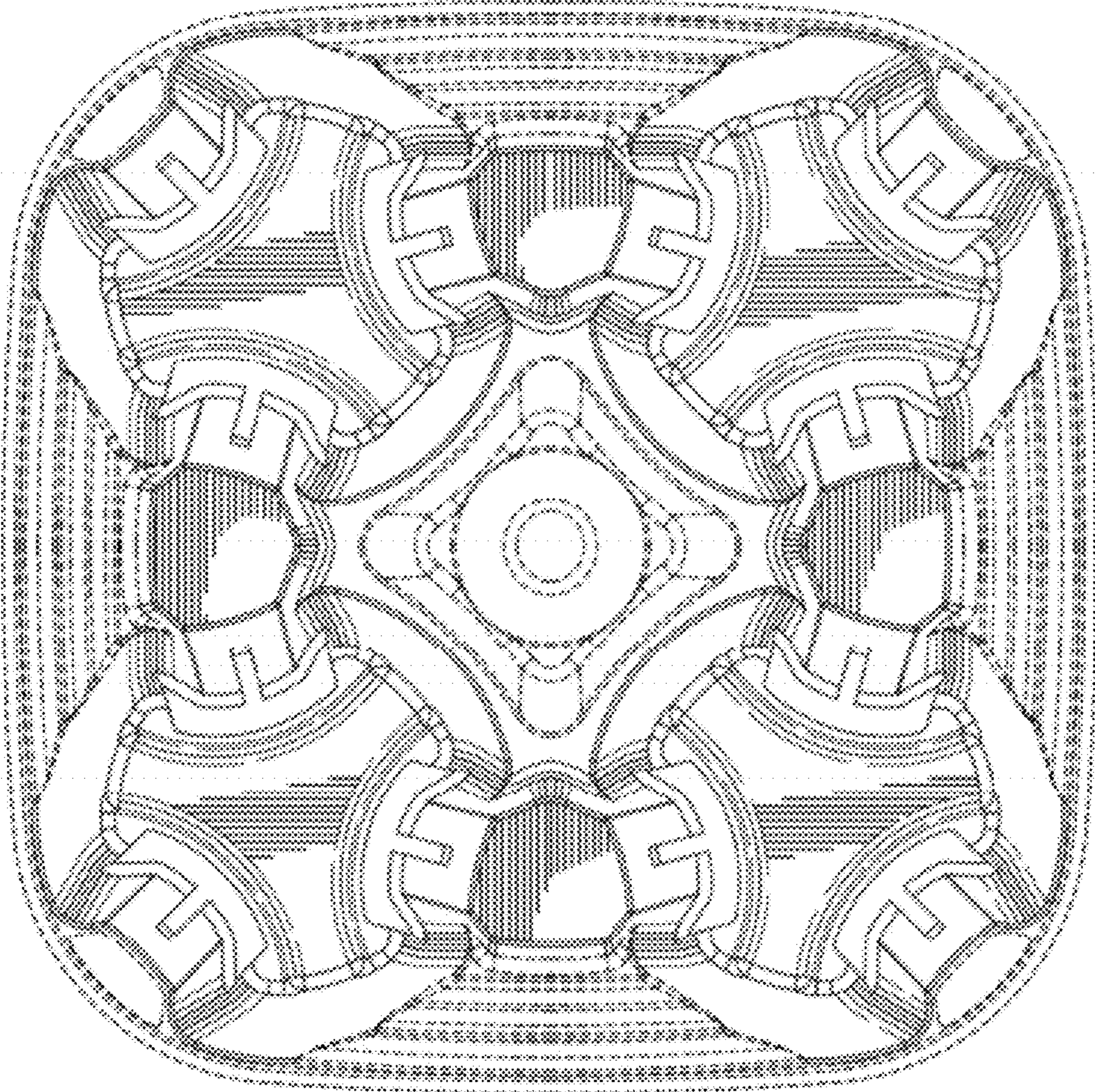


Fig. 8