

US00D671426S

(12) **United States Design Patent**
Pickens et al.

(10) **Patent No.:** **US D671,426 S**

(45) **Date of Patent:** **** Nov. 27, 2012**

(54) **CANISTER BOX**

(75) Inventors: **Julienne M. Pickens**, Tigard, OR (US);
Mindee K. Doney, Aloha, OR (US)

(73) Assignee: **Little Busy Bodies, Inc.**, Beaverton, OR
(US)

(**) Term: **14 Years**

(21) Appl. No.: **29/382,518**

(22) Filed: **Jan. 4, 2011**

(51) **LOC (9) Cl.** **09-01**

(52) **U.S. Cl.** **D9/734**

(58) **Field of Classification Search** D9/430-434,
D9/414, 416, 418, 420-423, 432-434, 734,
D9/782; 206/278, 297, 299, 457, 770, 737,
206/810, 822; D11/221; D19/77, 84; 221/63;
229/87.08, 101.2, 193, 195, 197, 100, 101,
229/101.3, 106, 108, 108.1, 116.1, 116.3,
229/116.5, 121, 122, 201, 213, 221, 222,
229/227, 922, 939, 942; D6/518, 523

See application file for complete search history.

(56) **References Cited**

U.S. PATENT DOCUMENTS

5,286,538	A	2/1994	Pearlstein et al.	
5,409,747	A	4/1995	Pearlstein et al.	
D362,180	S *	9/1995	Haines	D9/532
5,542,567	A *	8/1996	Julius	221/63
D459,221	S *	6/2002	Springer et al.	D9/734
D467,106	S *	12/2002	Bohay	D6/523
D477,780	S *	7/2003	Springer et al.	D9/416

(Continued)

OTHER PUBLICATIONS

“Daregal—Fresh Frozen Herbs”, <http://www.daregalgourmet.com/shop/Fresh-Frozen-Herbs.html>, accessed Feb. 10, 2011, 1 page.

Primary Examiner — Thomas Johannes

(74) *Attorney, Agent, or Firm* — Marger Johnson & McCollom PC

(57) **CLAIM**

The ornamental design for a canister box, as shown and described.

DESCRIPTION

FIG. 1 is an isometric view of our canister box, showing our new design when in an open position. The opposing isometric view of our canister box is a mirror image;

FIG. 2 is an isometric view of our canister box, as shown in FIG. 1, showing our new design when in a closed position. The opposing isometric view of our canister box is a mirror image;

FIG. 3 is a side elevation view of our canister box, showing our new design when in an open position. The opposing side elevation view of our canister box is a mirror image;

FIG. 4 is a side elevation view of our canister box, as shown in FIG. 2, showing our new design when in a closed position. The opposing side elevation view of our canister box is a mirror image;

FIG. 5 is a front elevation view of our canister box, showing our new design when in an open position;

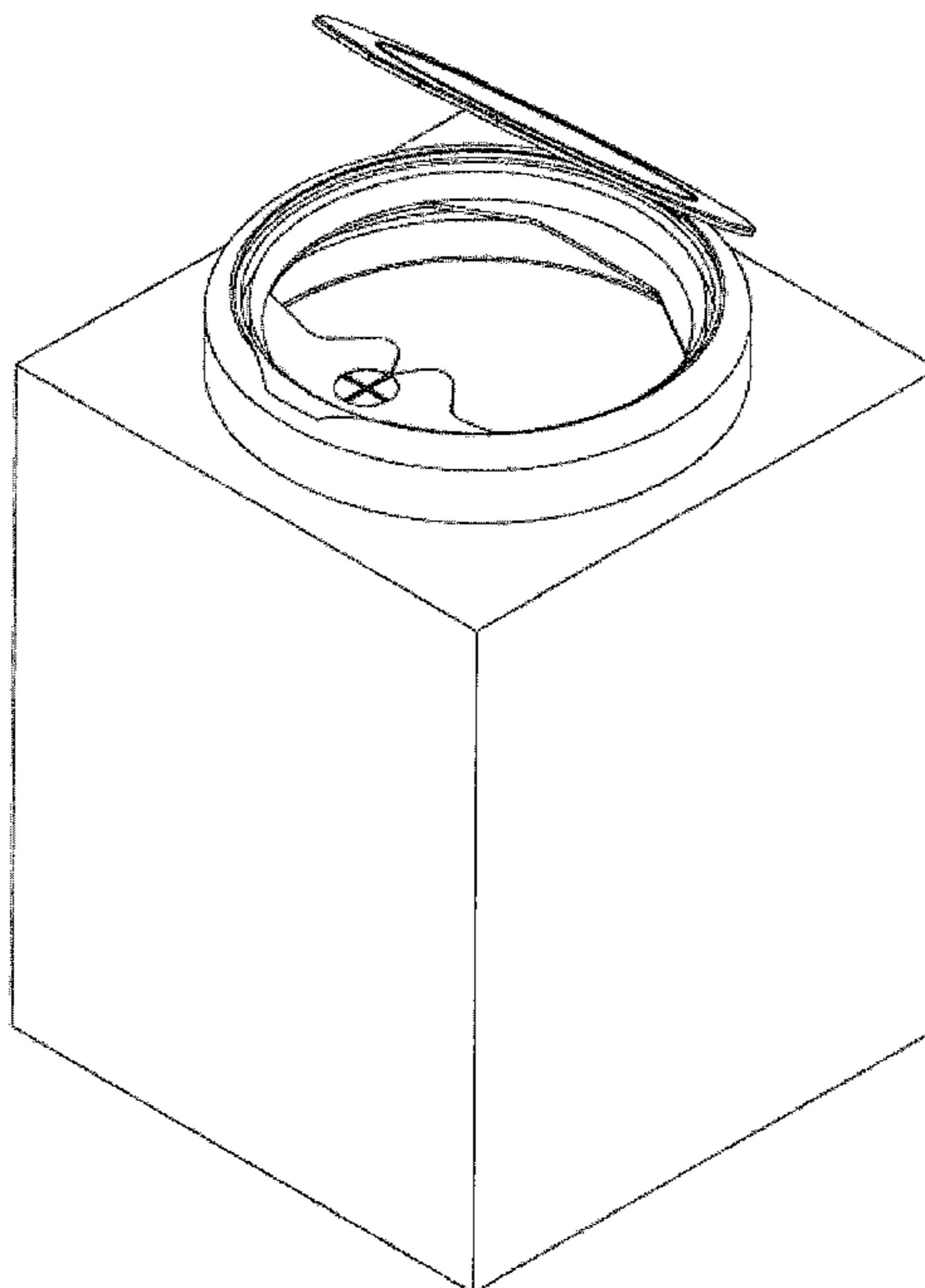
FIG. 6 is a front elevation view of our canister box, as shown in FIG. 2, showing our new design when in a closed position;

FIG. 7 is a top plan view of our canister box, showing our new design when in an open position;

FIG. 8 is a top plan view of our canister box, as shown in FIG. 2, showing our new design when in a closed position; and,

FIG. 9 is a bottom plan view of our canister box.

1 Claim, 9 Drawing Sheets



US D671,426 S

Page 2

U.S. PATENT DOCUMENTS

D487,870	S	*	3/2004	Stewart et al.	D9/782	D624,404	S		9/2010	Darbonne	
D514,928	S	*	2/2006	Keberlein	D9/416	D627,998	S	*	11/2010	Yang et al.	D6/518
D527,424	S	*	8/2006	Long	D19/77	D630,108	S	*	1/2011	Wilson	D9/734
D529,400	S	*	10/2006	Sellars	D9/734	D653,213	S	*	1/2012	Andre et al.	D13/138.1
D551,969	S	*	10/2007	Aurilio et al.	D9/432	D662,140	S	*	6/2012	Huang	D19/84
7,303,092	B2		12/2007	Sarbo et al.		2006/0151518	A1	*	7/2006	Sarbo et al.	221/63

* cited by examiner

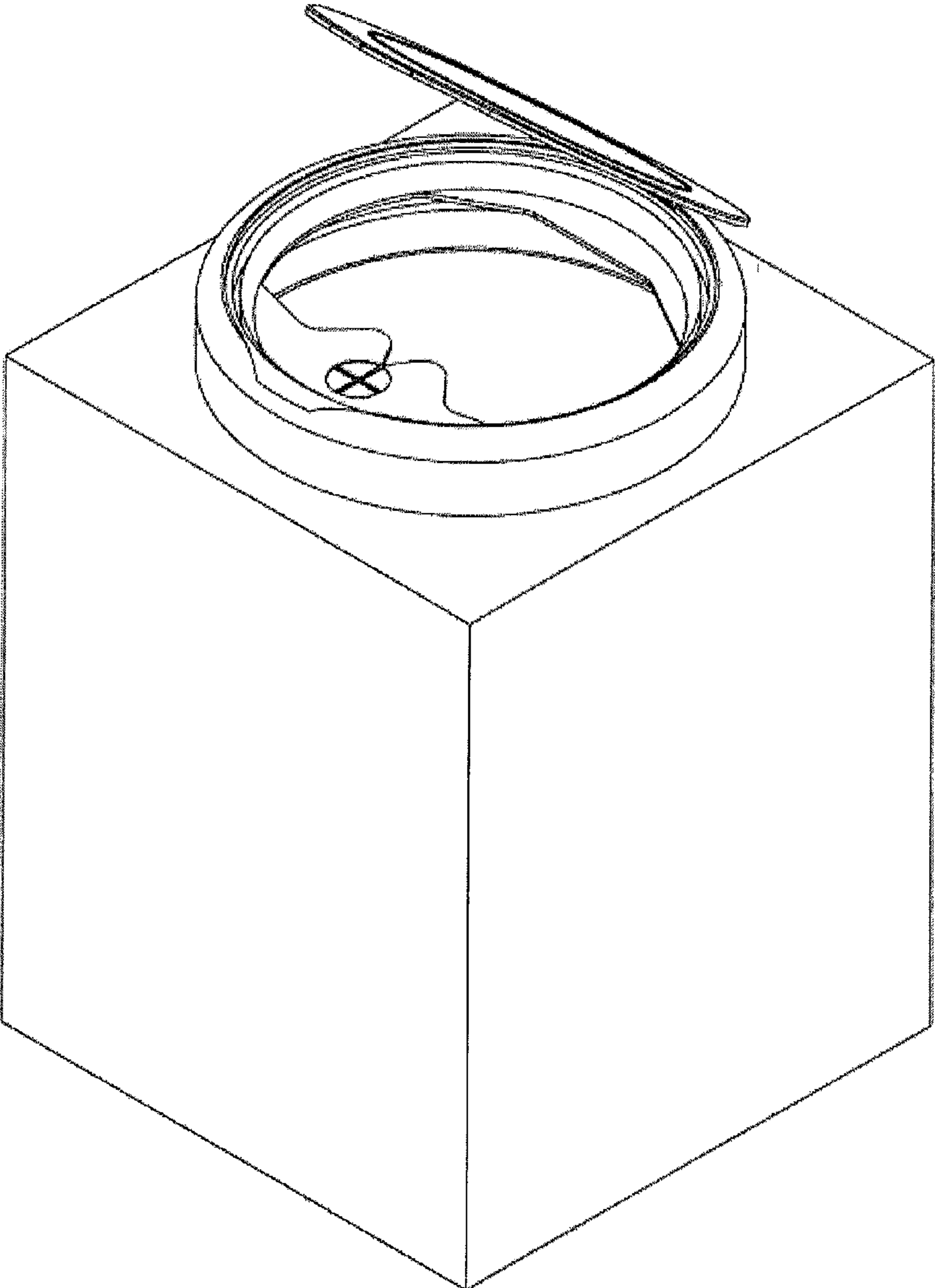


FIG. 1

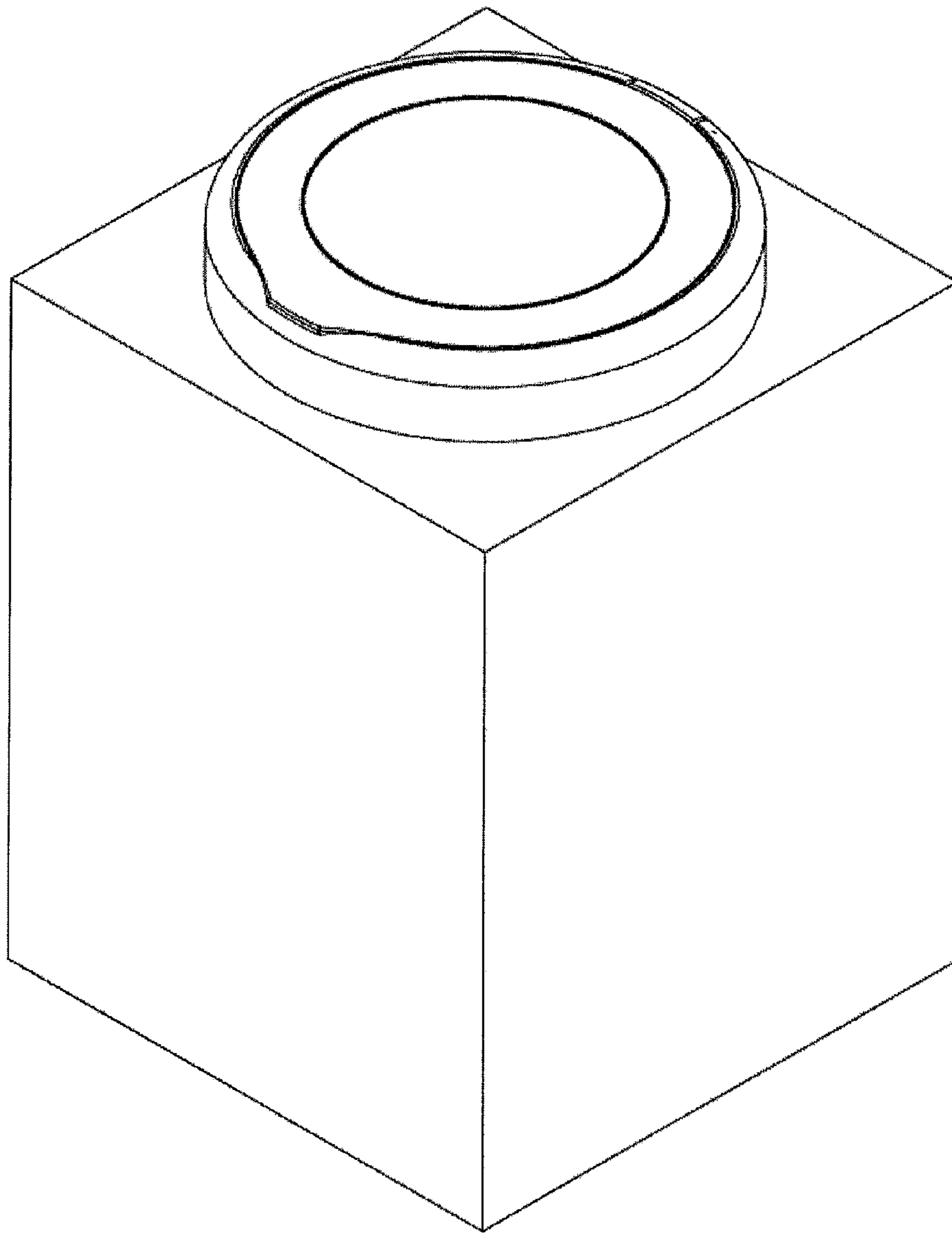


FIG. 2

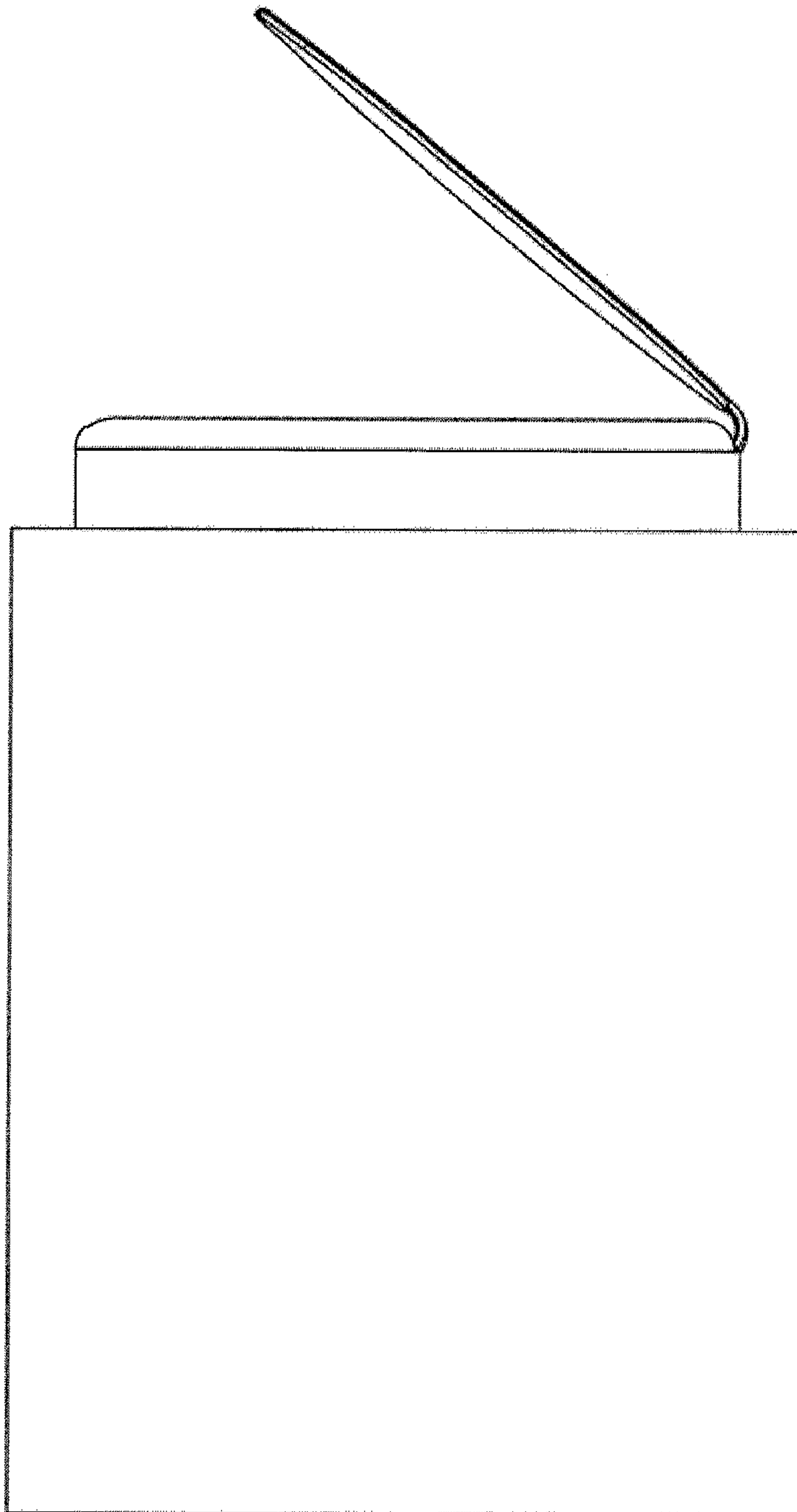


FIG. 3

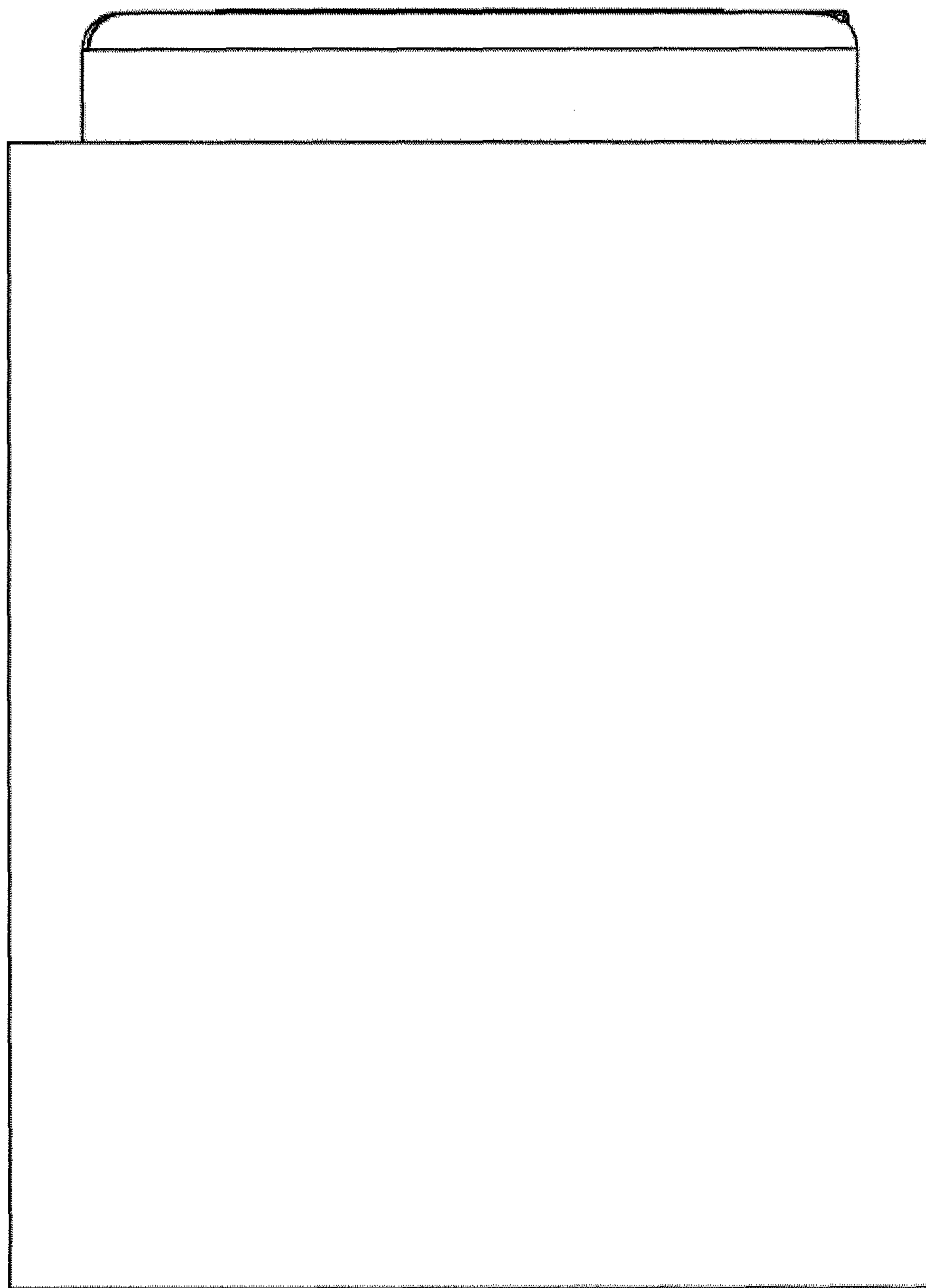


FIG. 4

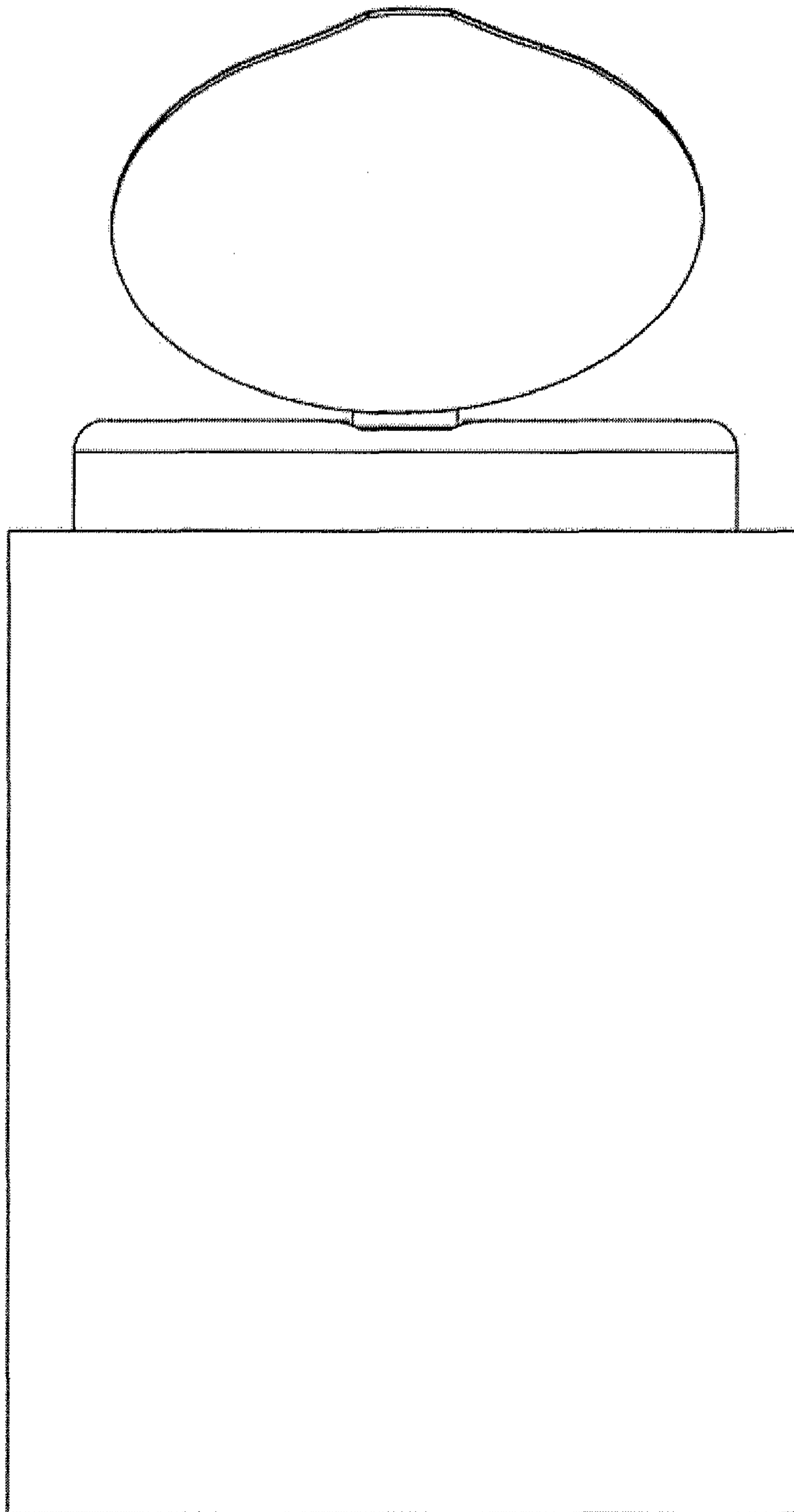


FIG. 5

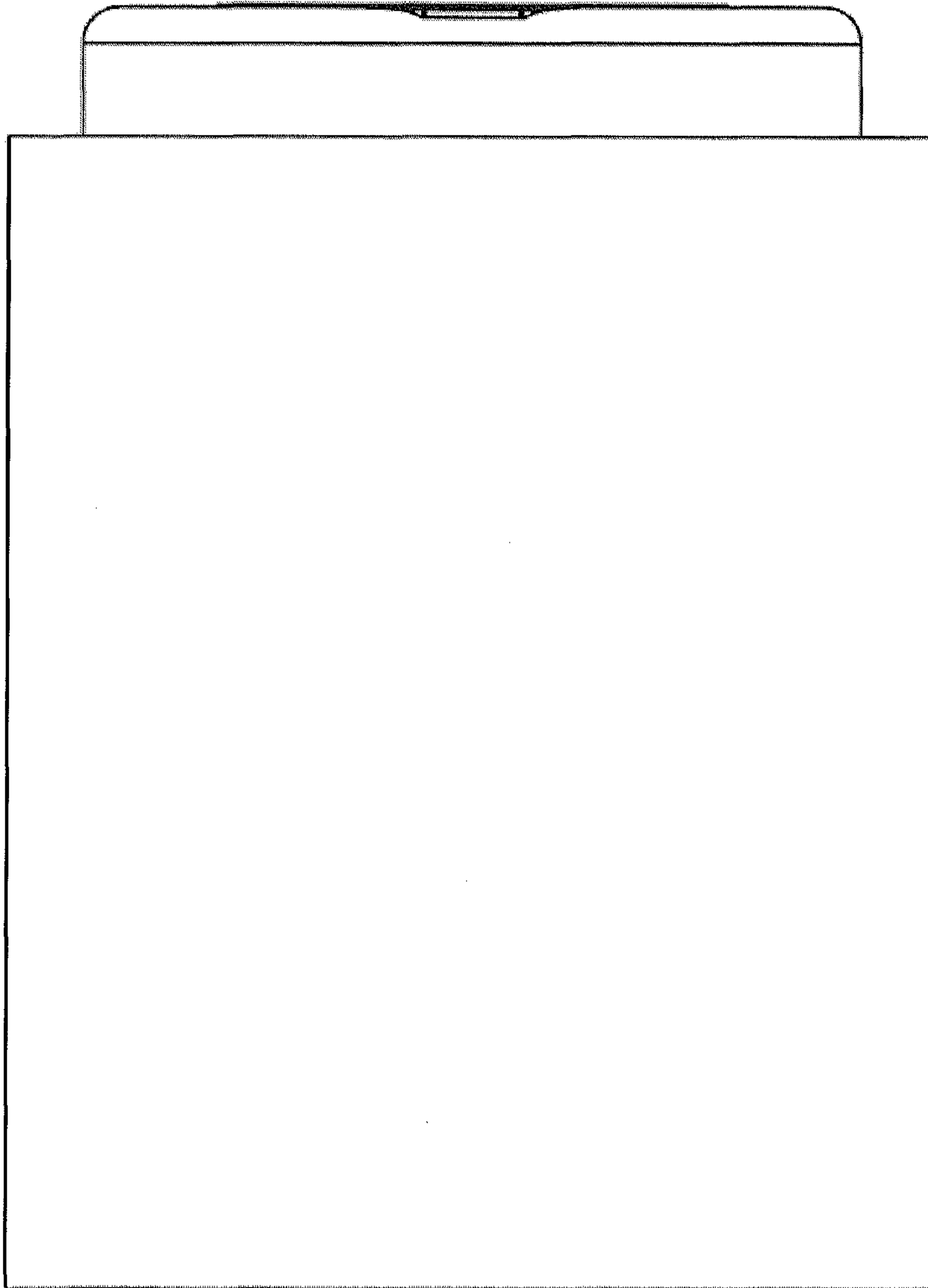


FIG. 6

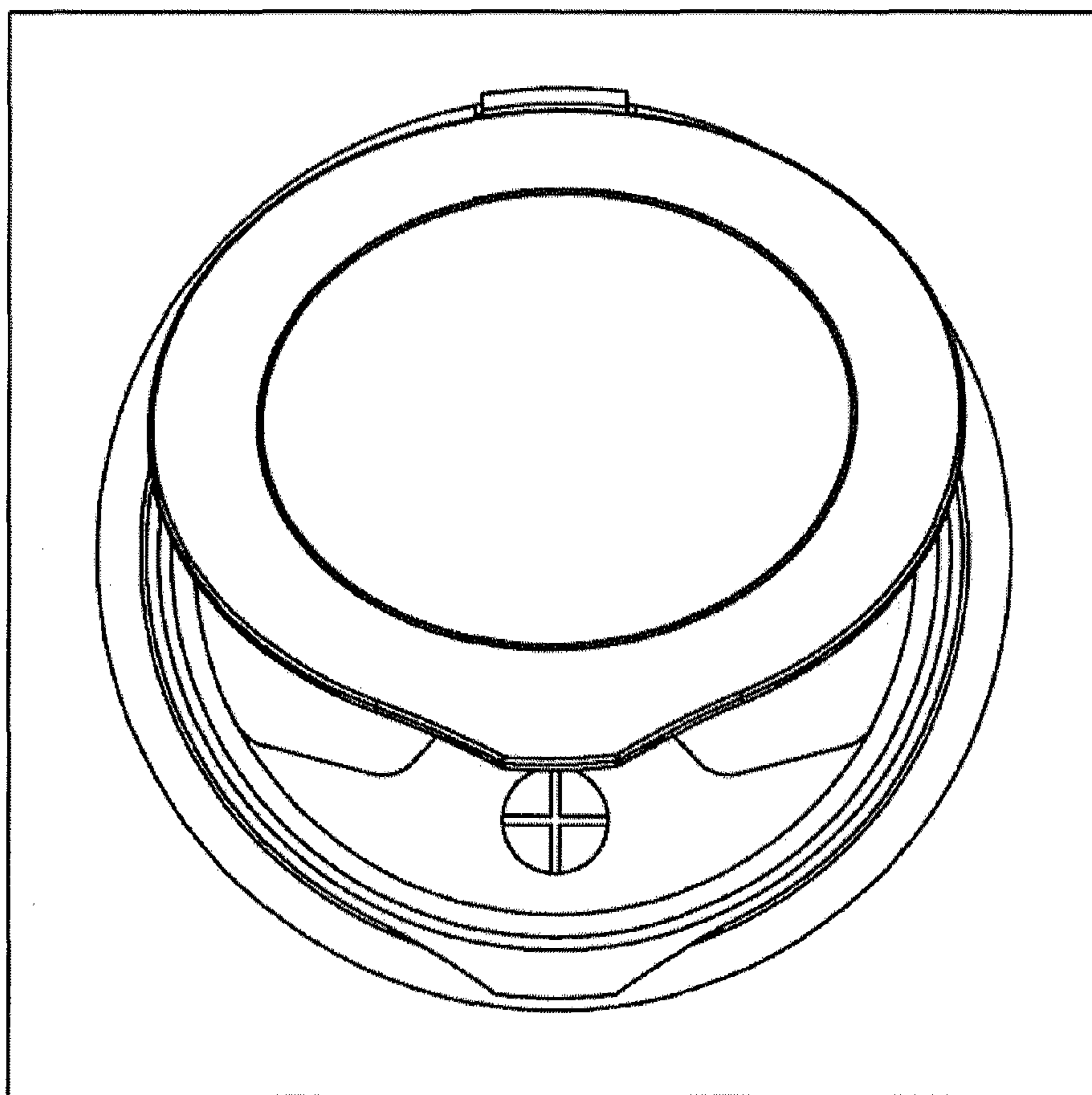


FIG. 7

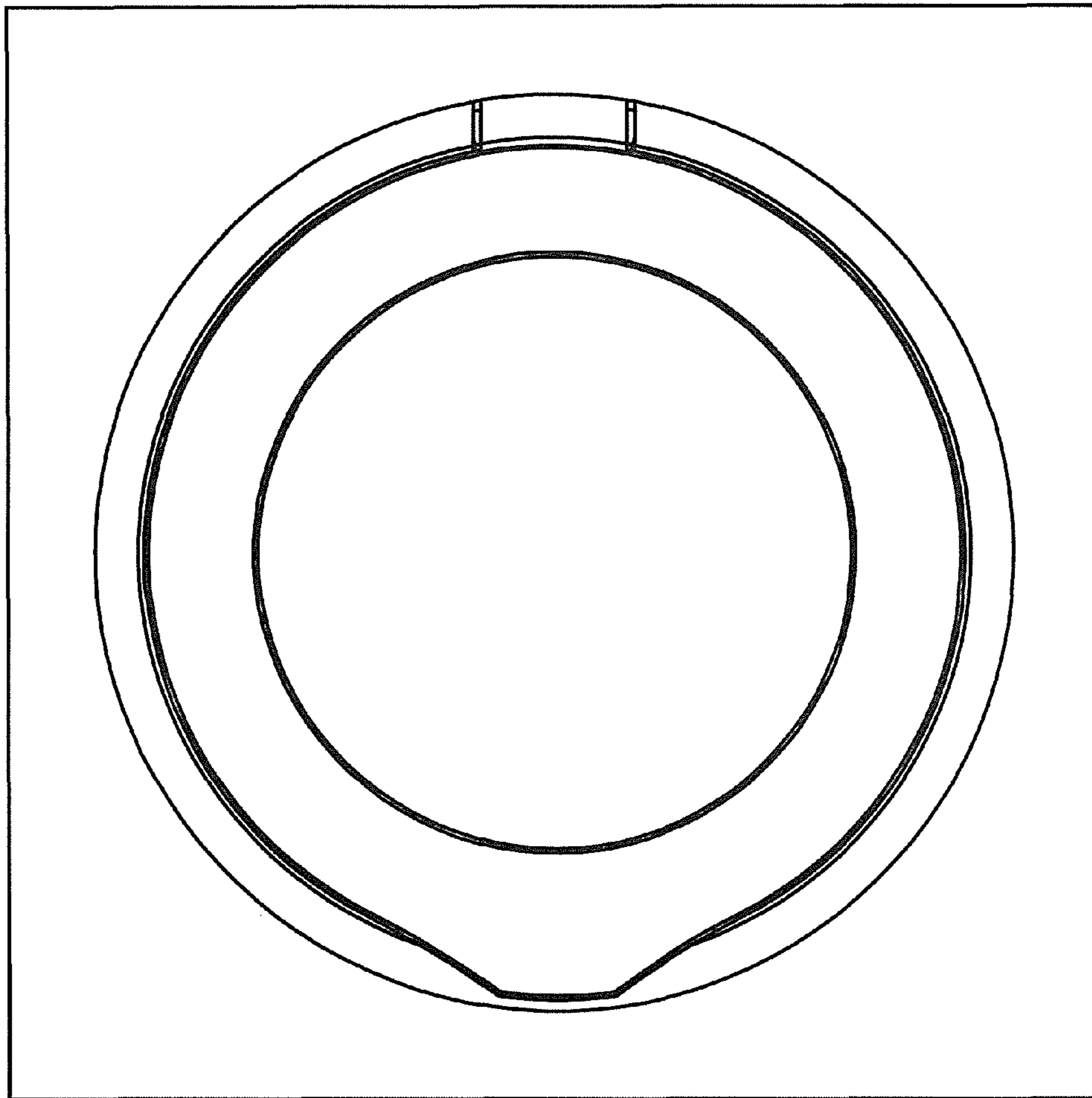


FIG. 8

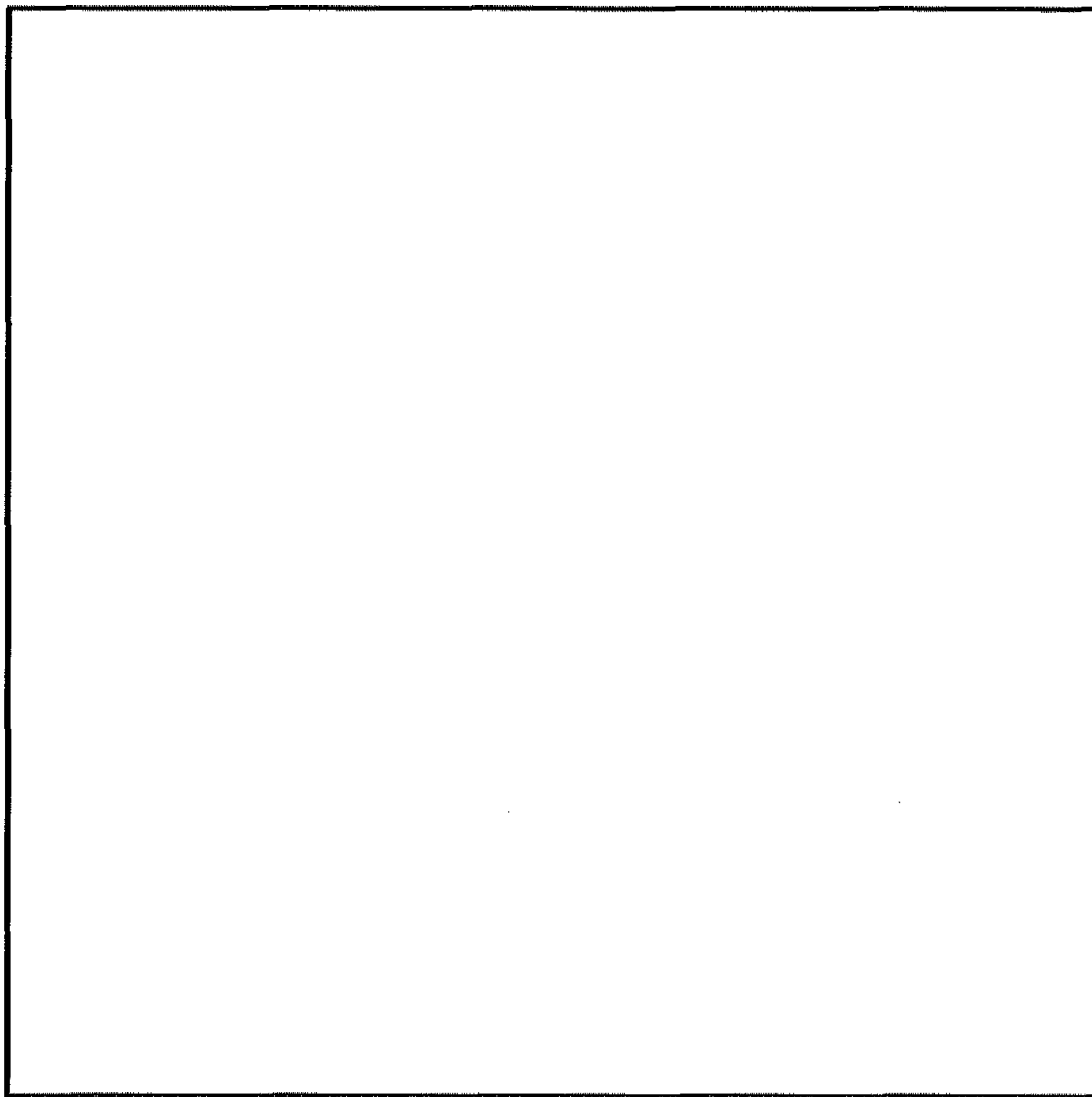


FIG. 9